

ALUMINIUM RACK - TYPE DESIGNATION FORM I

<p><b>AH672</b></p>  <p>26kg + xx kg = Max. 100kg</p>	<p><b>BERLINGO/PARTNER/COMBO 2018-L1, H1, TWIN DOORS</b></p>  <p>2800mm 4300mm 1850mm</p>	 <p>x9 x9 700mm 790mm 400mm</p>
--	---	--

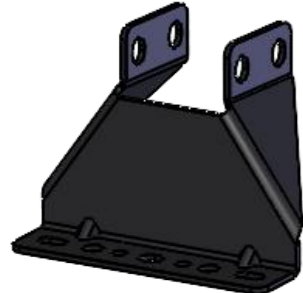
--	--	--

--	--	--

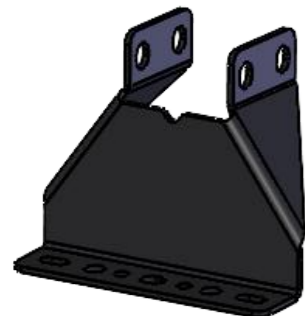
--	--	--



EXT09-004 x 6



MS168 x 2



MS1001 x 2



MS204 x 2



PS047 x 6



PS081 x 2



PS089 x 1



PS090 x 1

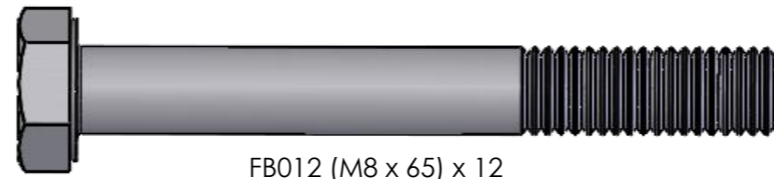


PS095 x 4



PS473 x 2

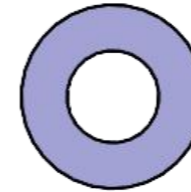
(1:1)



FB012 (M8 x 65) x 12



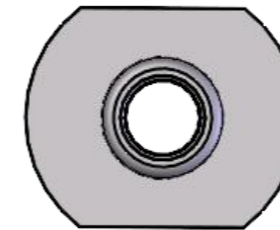
FN006 (M8) x 12



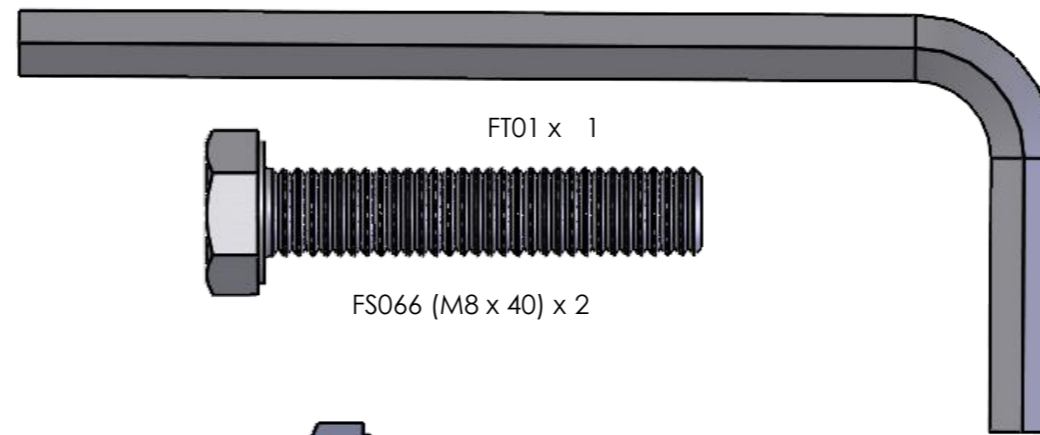
FW037 (M8) x 24



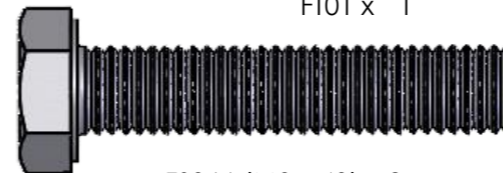
FS059 (M8 x 25) x 18



FN023 (M8) x 18



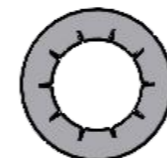
FT01 x 1



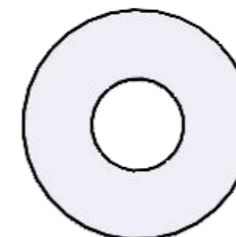
FS066 (M8 x 40) x 2



FS062 (M8 x 25) x 4



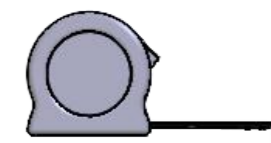
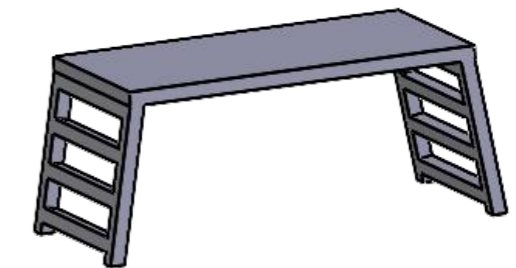
FW009 (M8) x 6

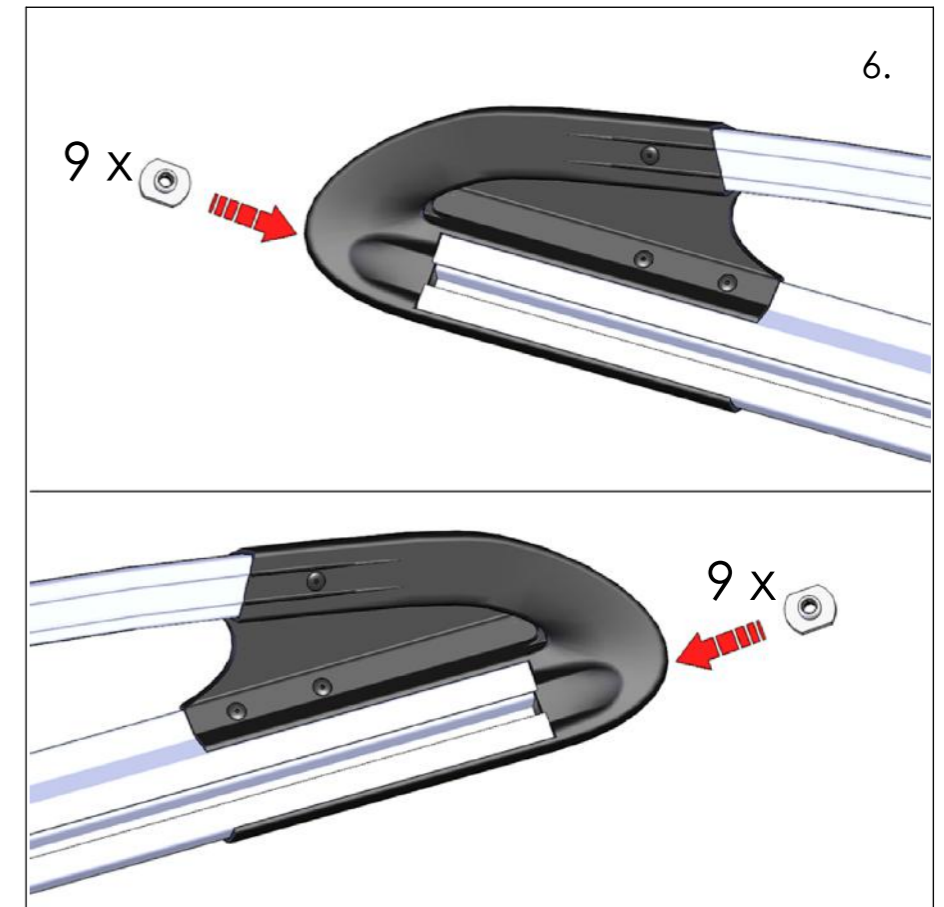
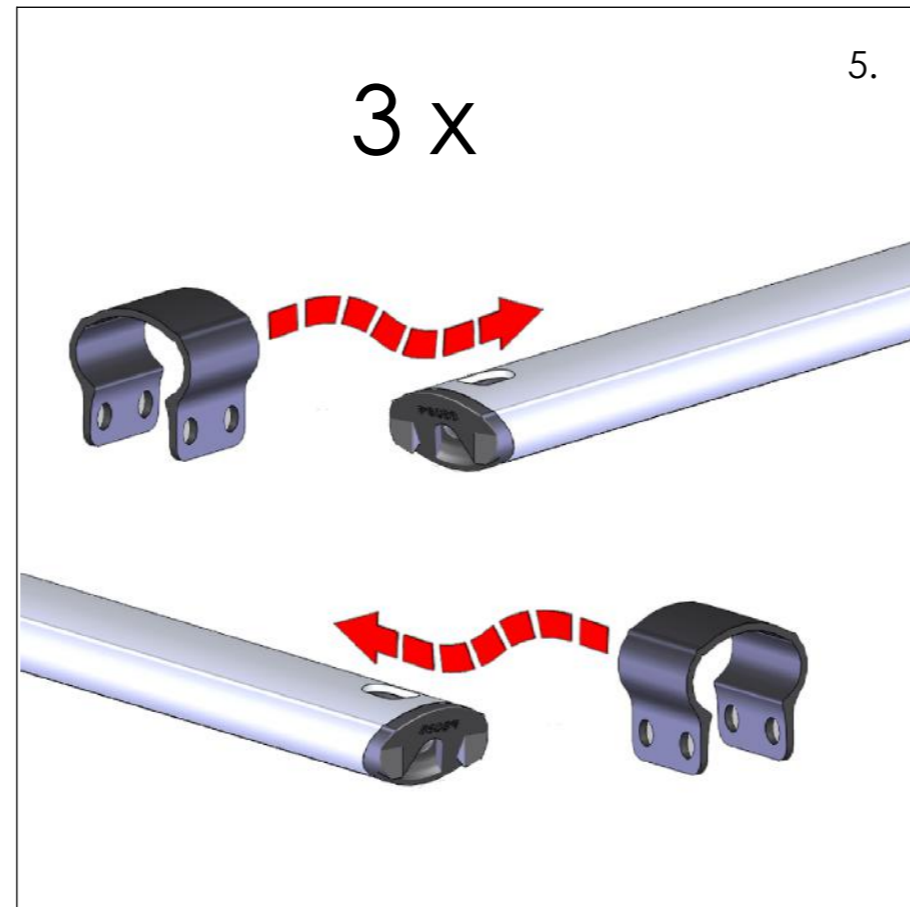
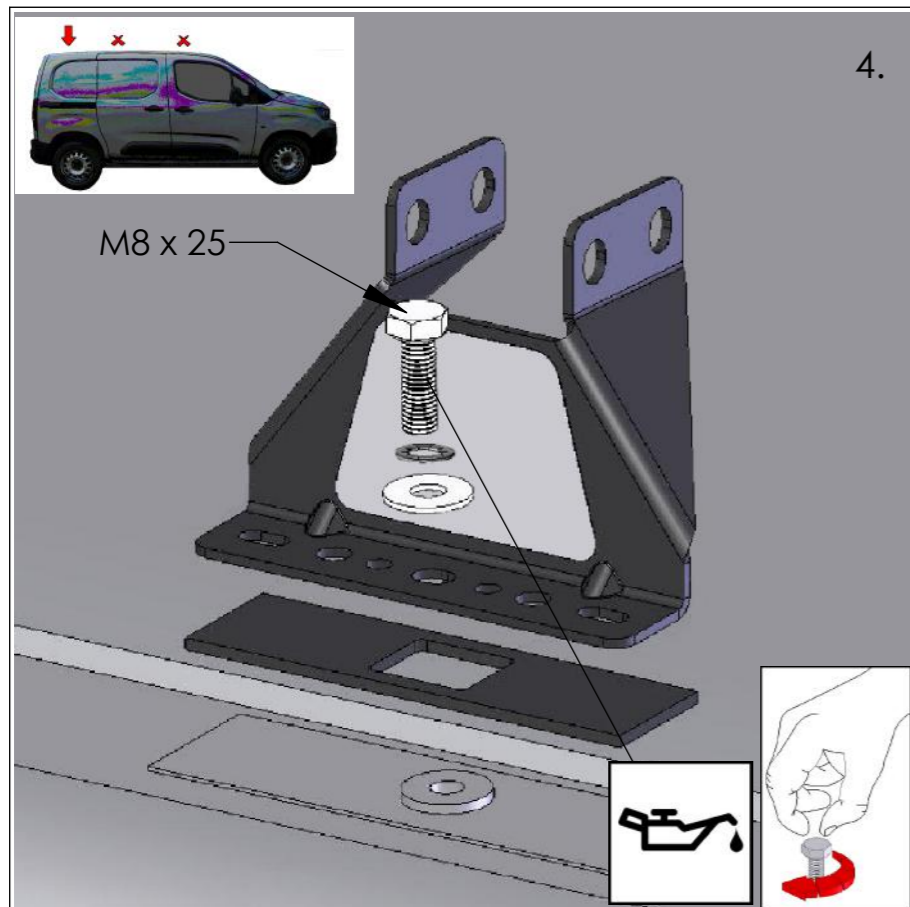
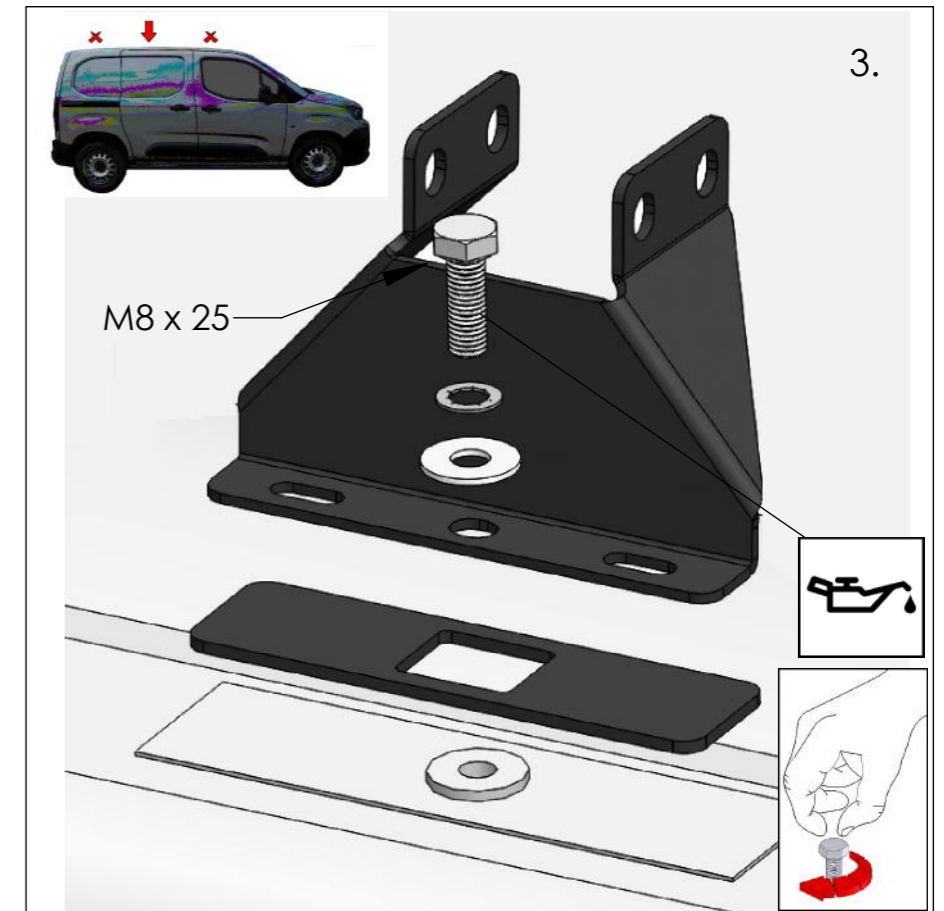
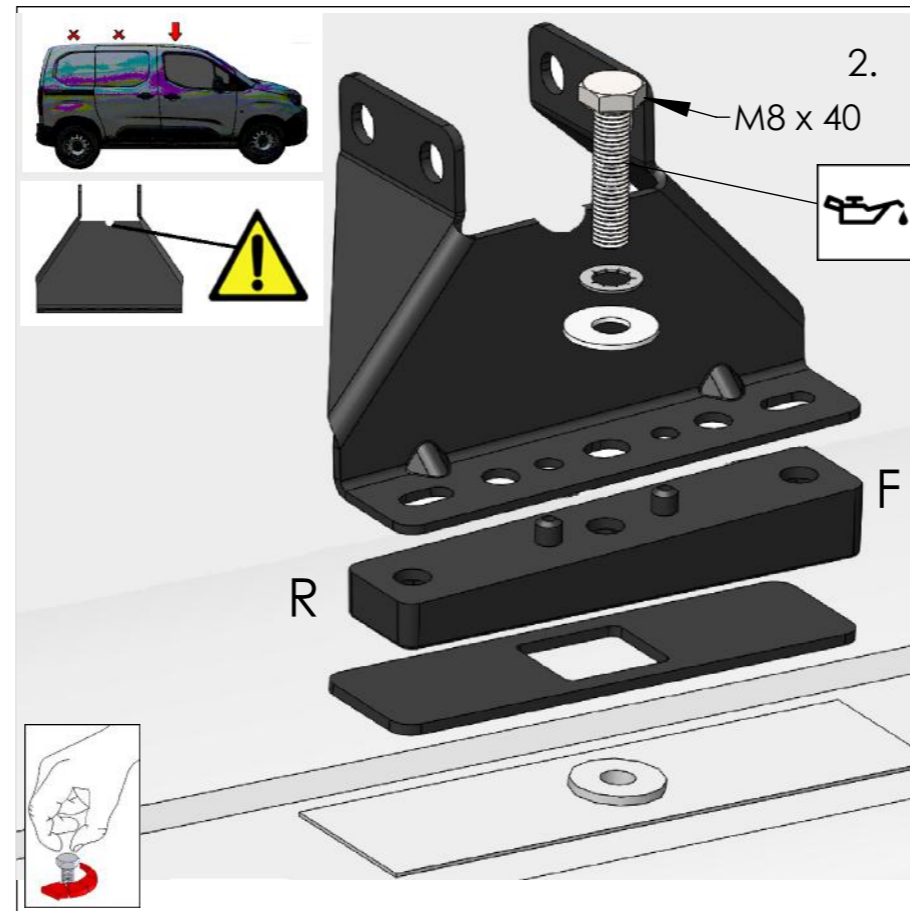
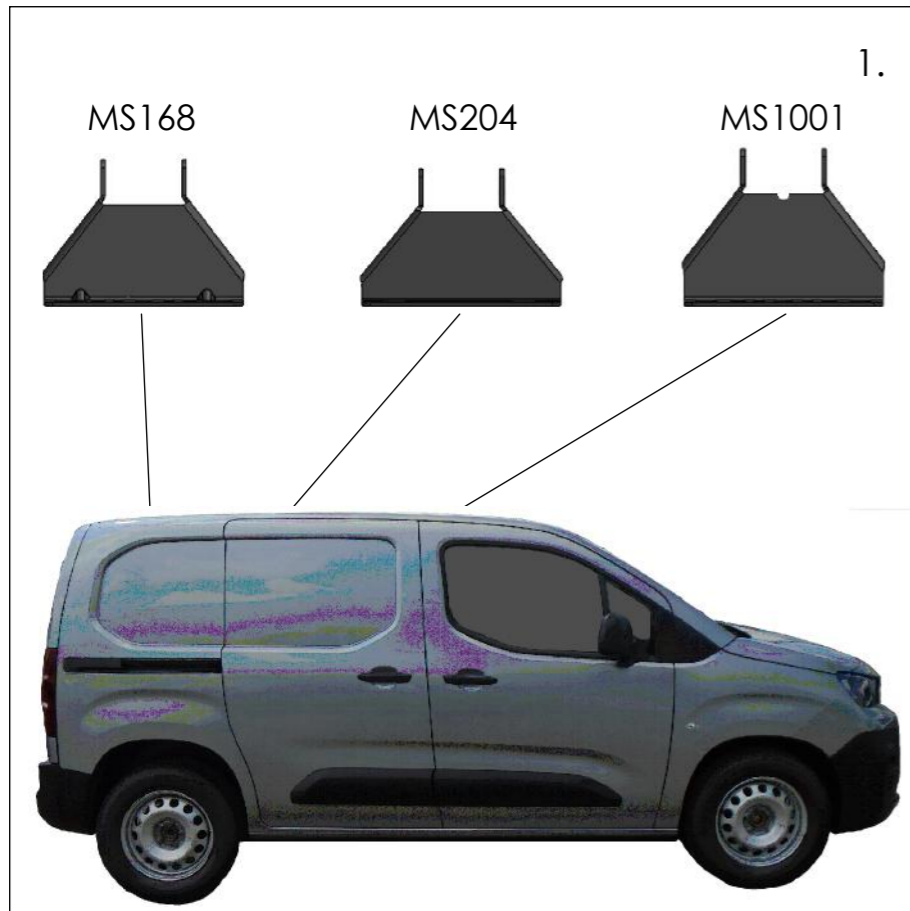


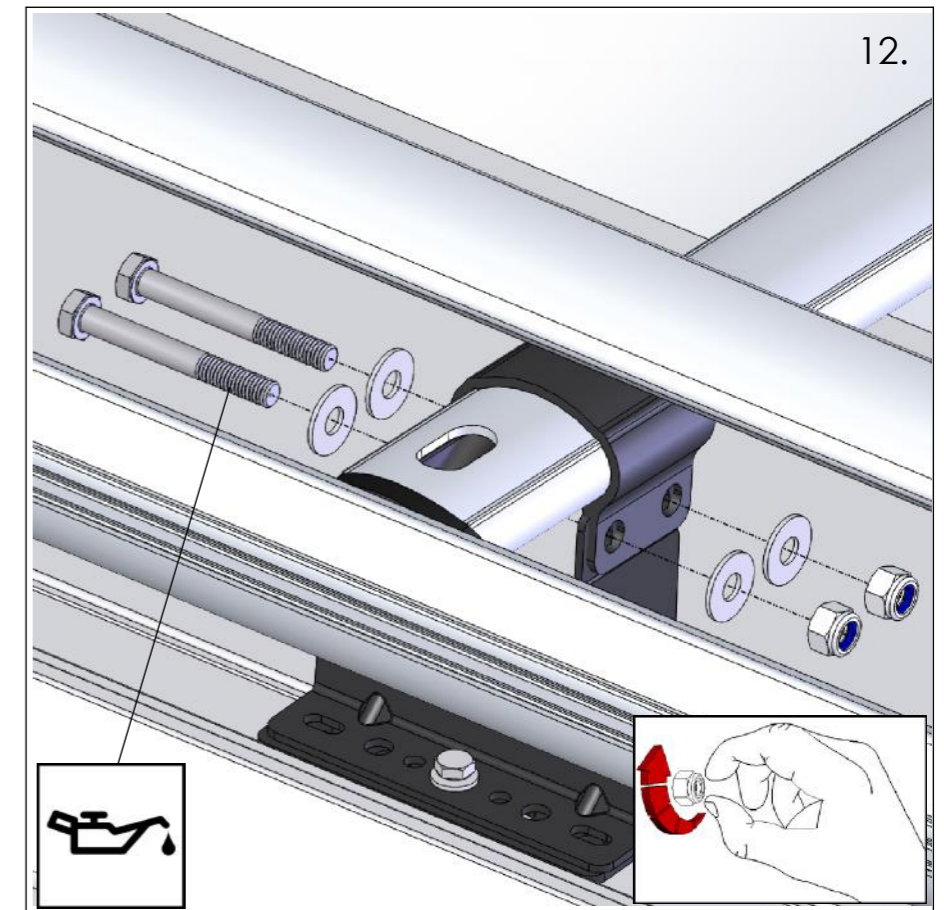
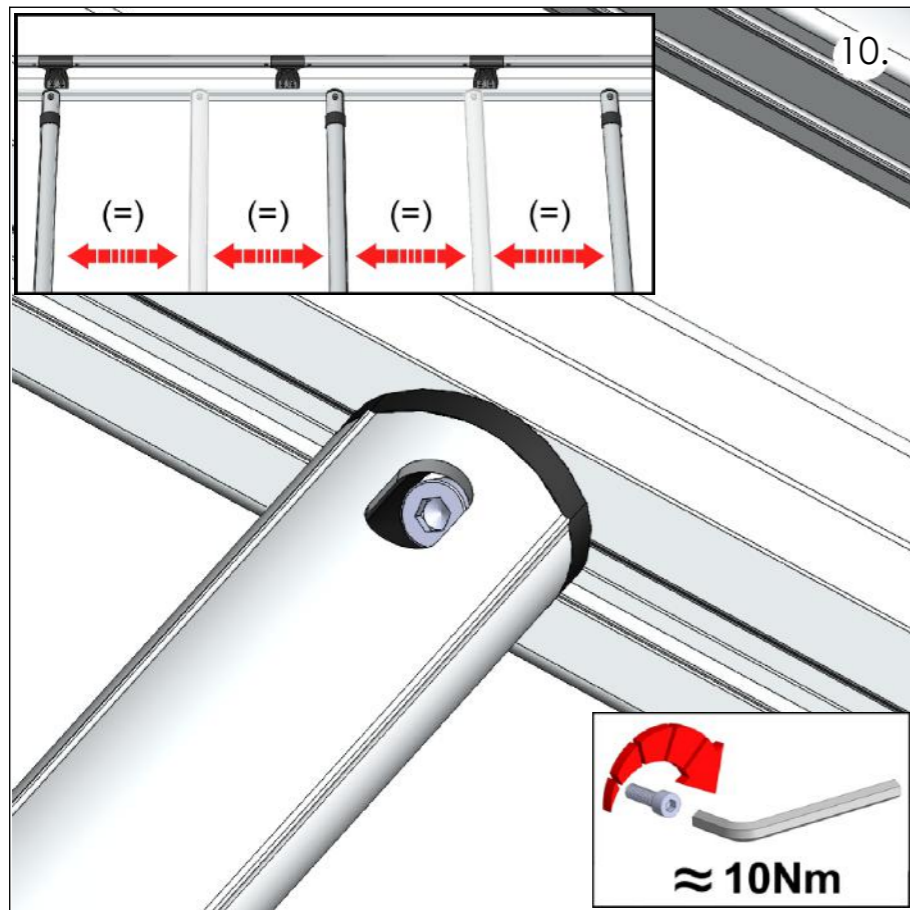
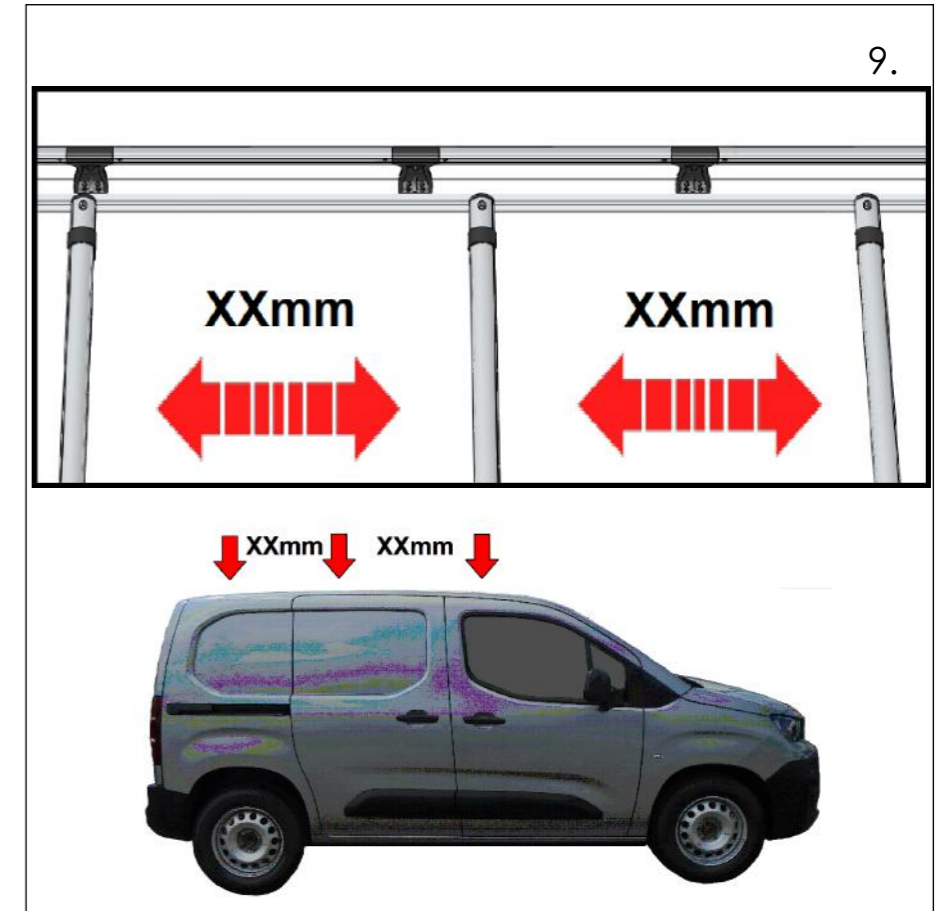
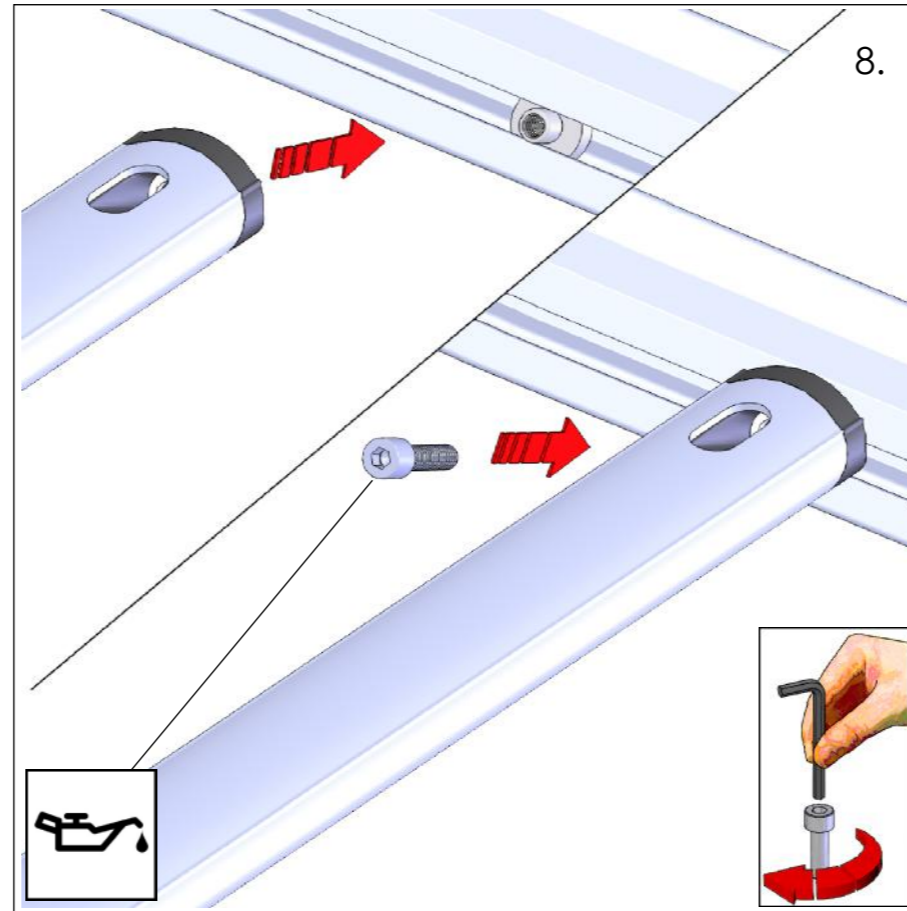
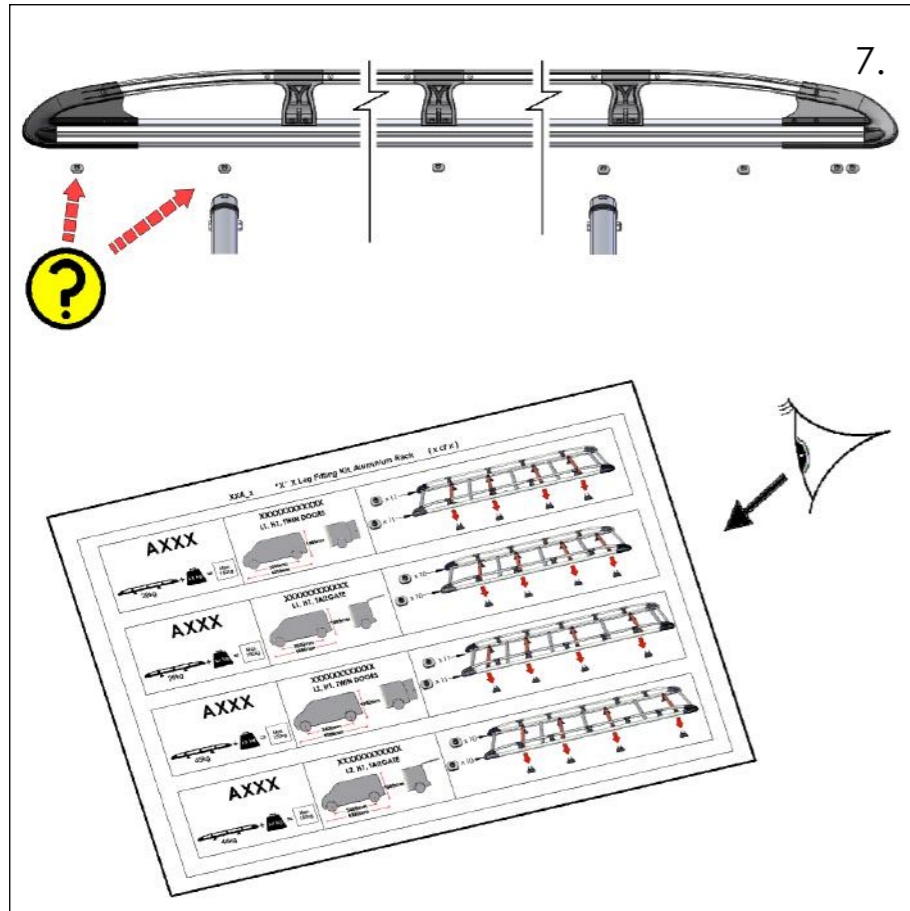
FW002 (M8) x 6

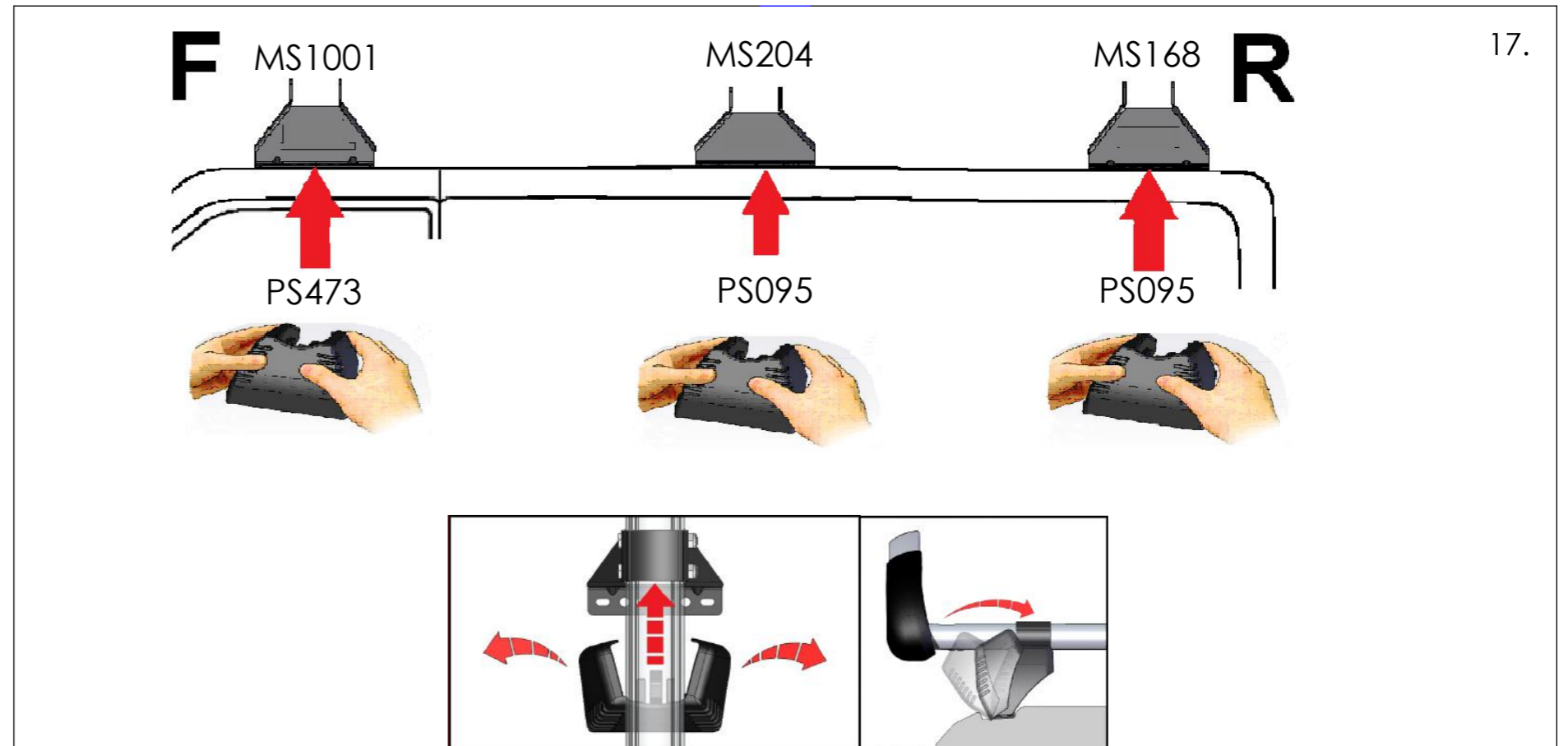
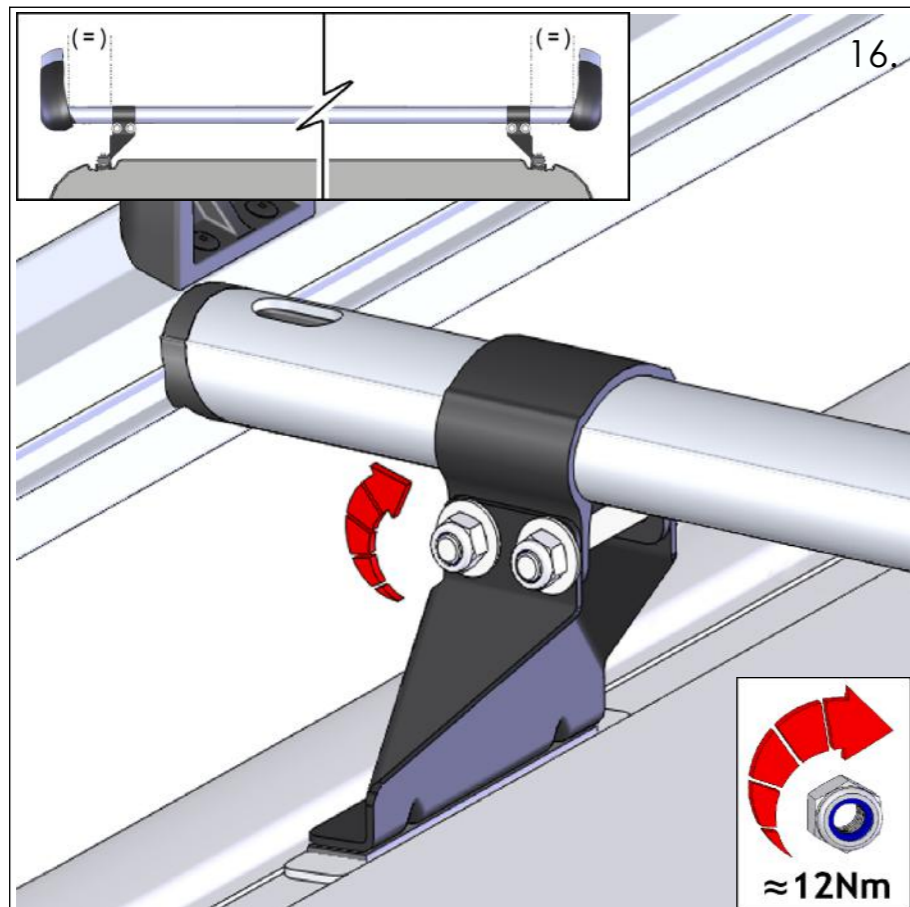
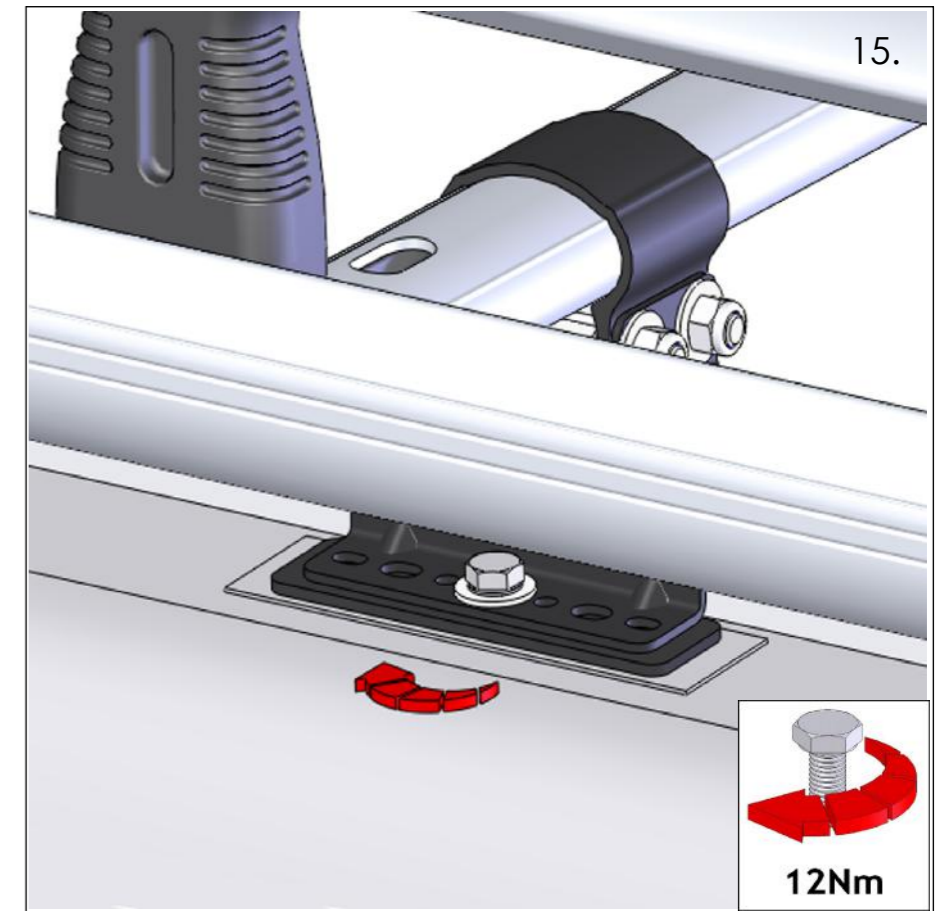
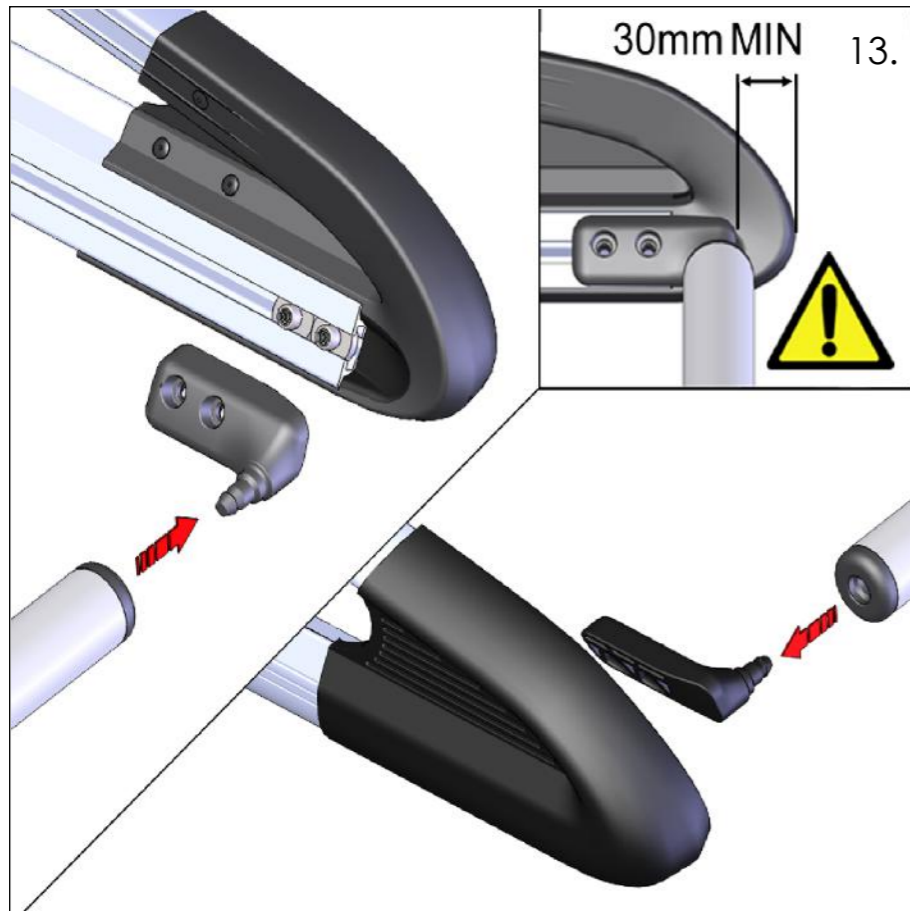


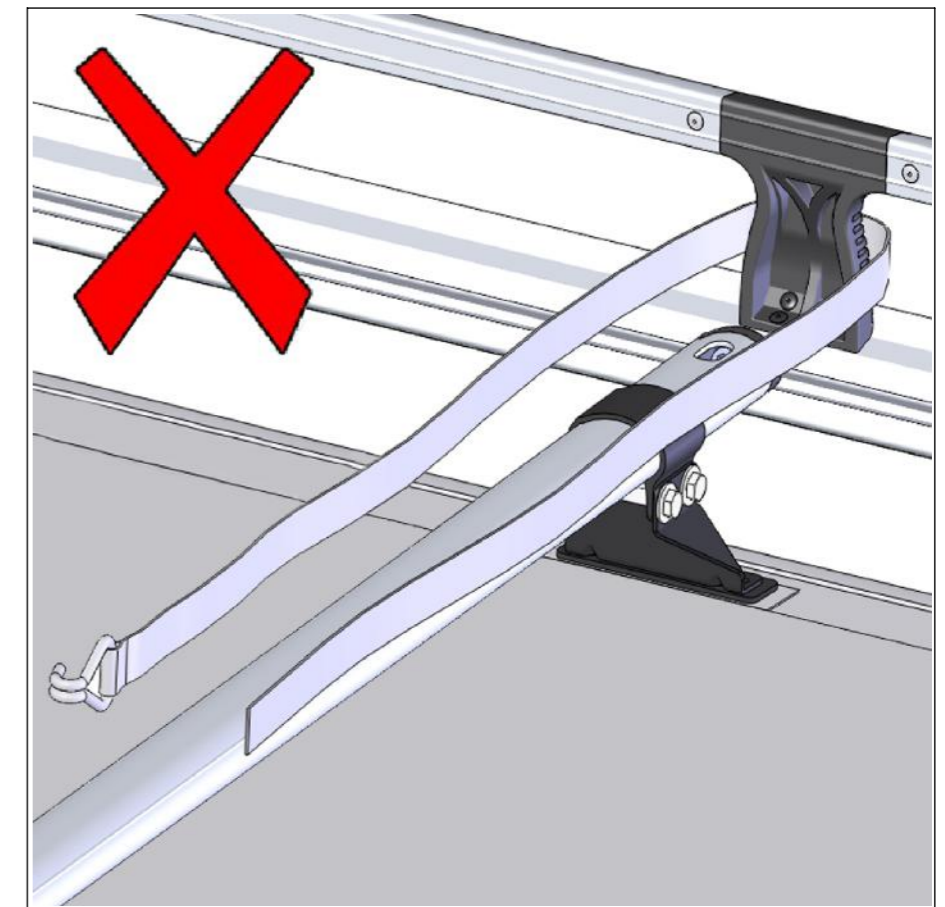
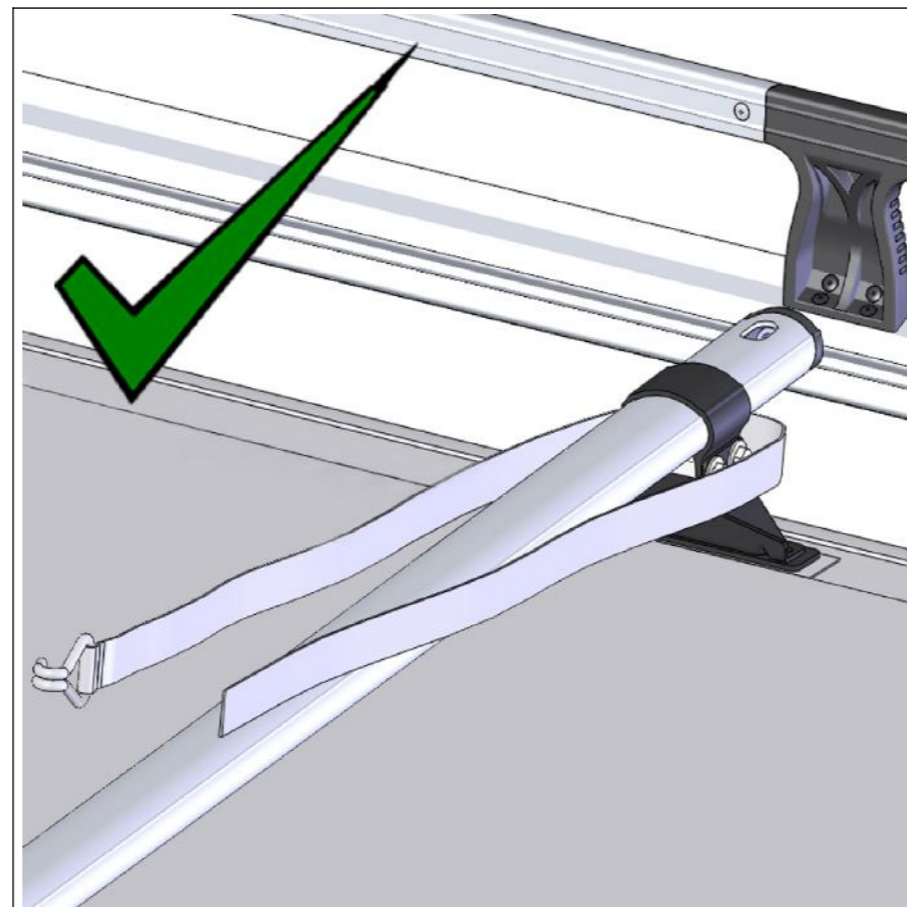
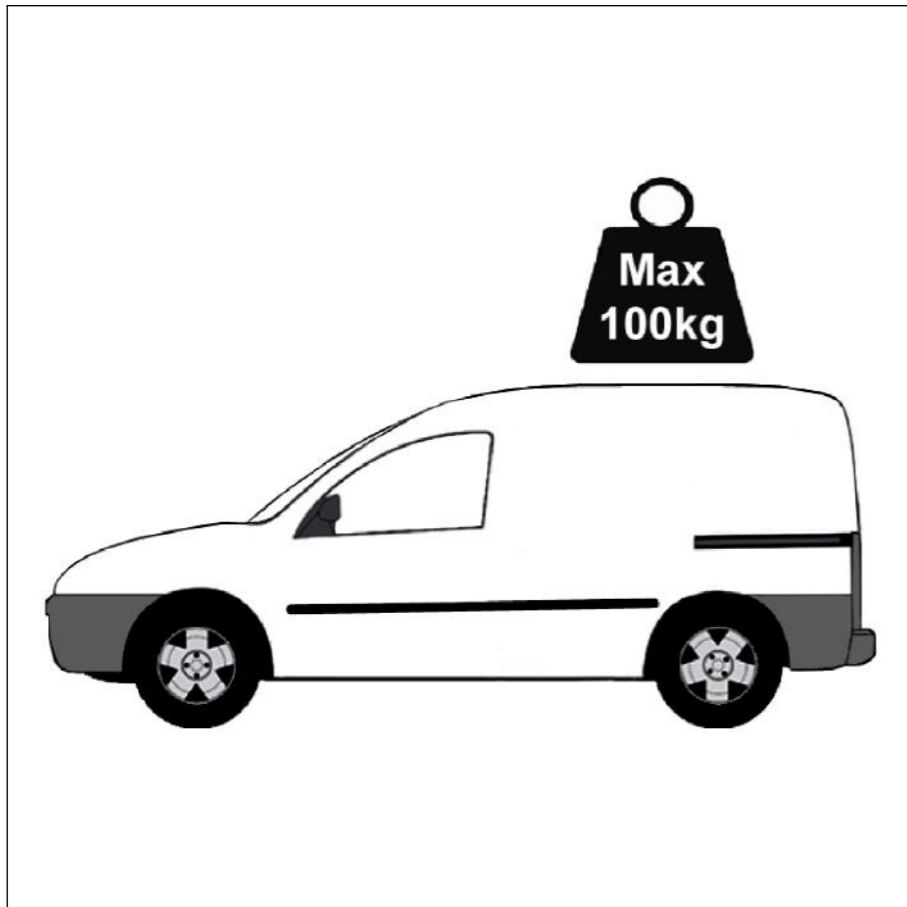
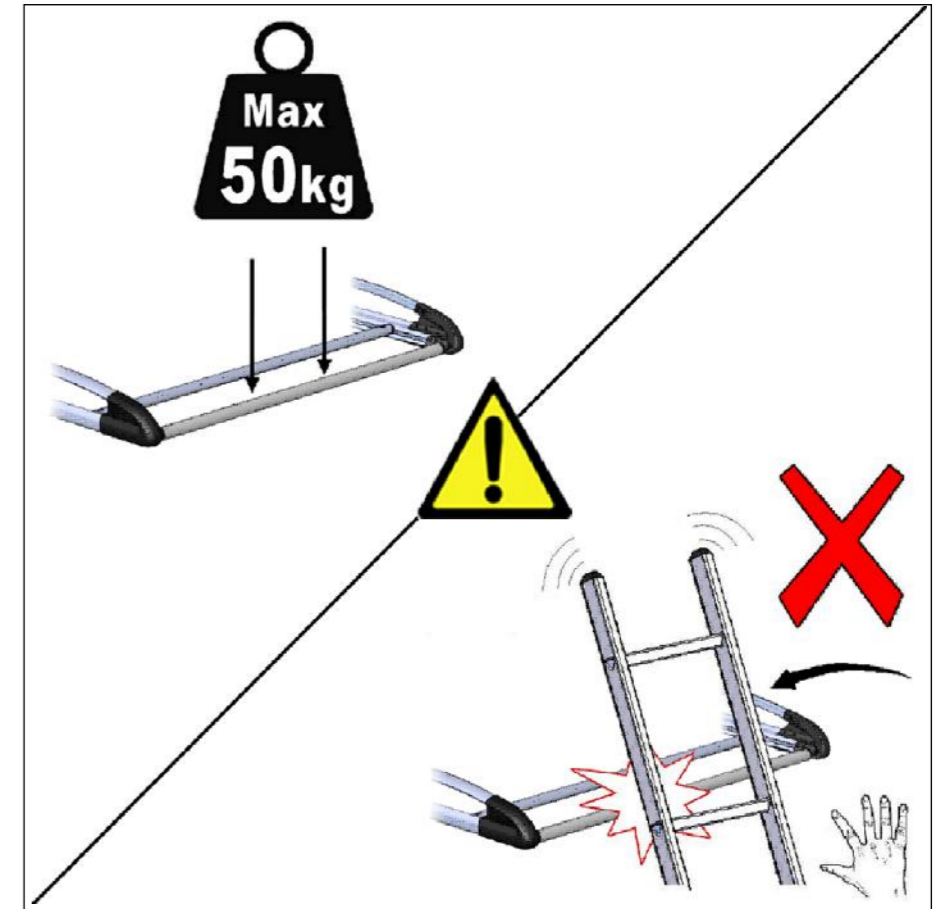
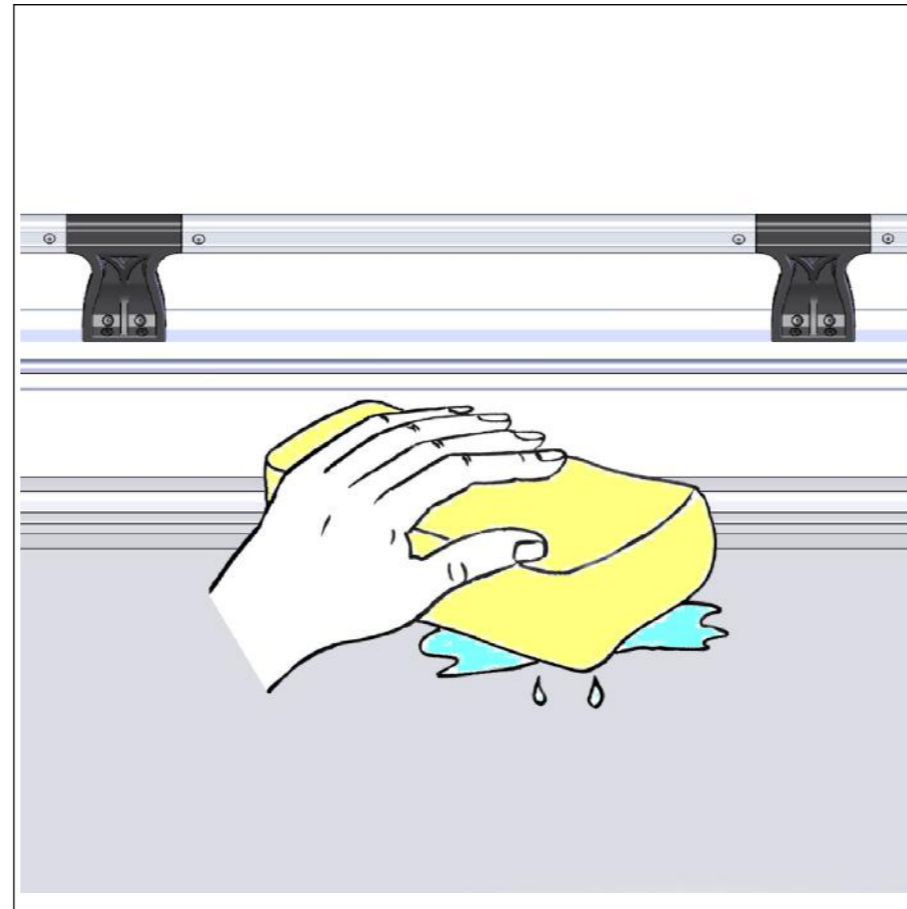
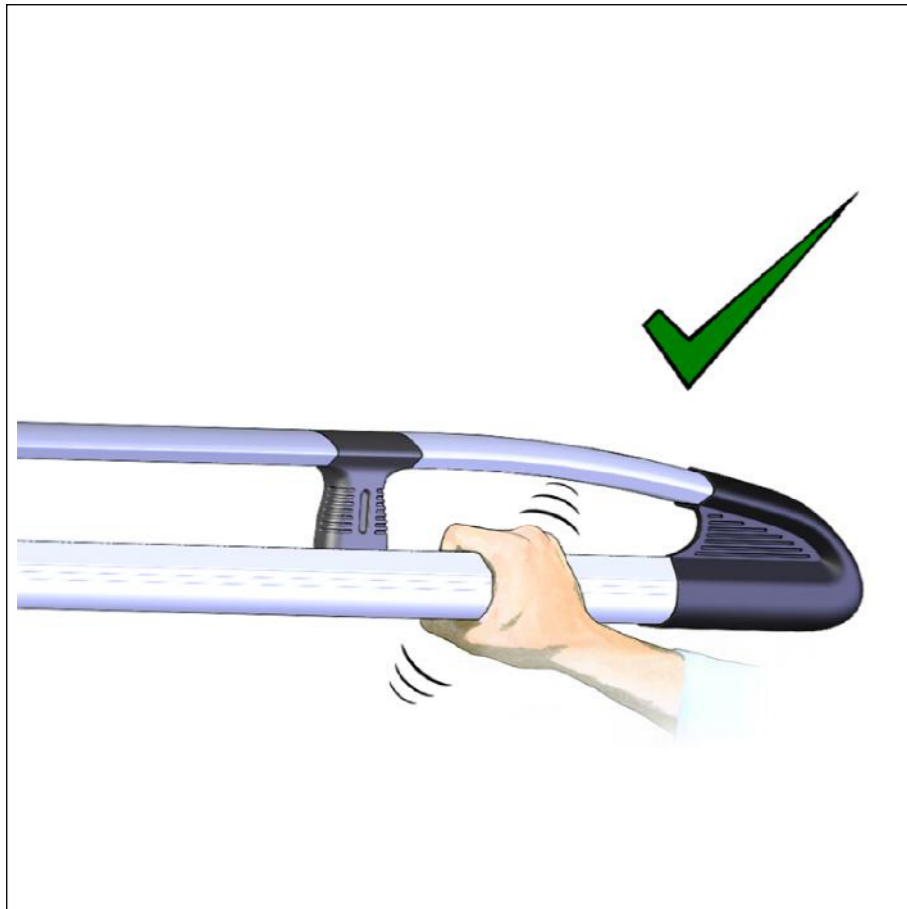
13mm x 2




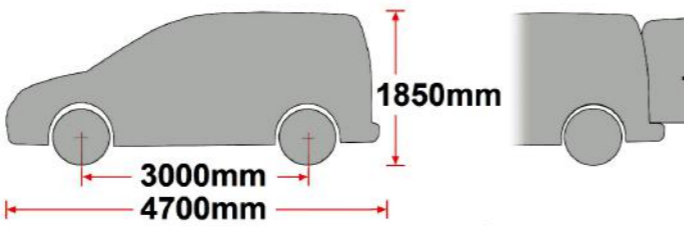
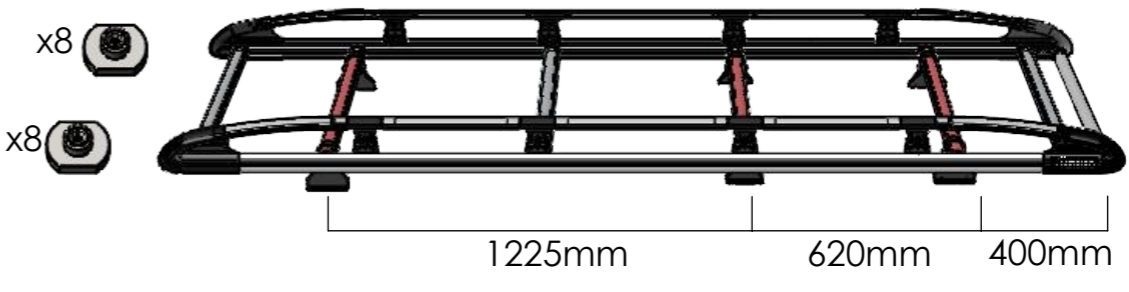








### ALUMINIUM RACK - TYPE DESIGNATION FORM I

<h1>AH673</h1>  <p>28kg + xx kg = Max. 100kg</p>	<h2>BERLINGO/PARTNER 2018- L2, H1, TWIN DOORS</h2>  <p>3000mm 4700mm 1850mm</p>	 <p>x8 x8 1225mm 620mm 400mm</p>
---	---	---

--	--	--

--	--	--

--	--	--

(1:1)



EXT09-004 x 6



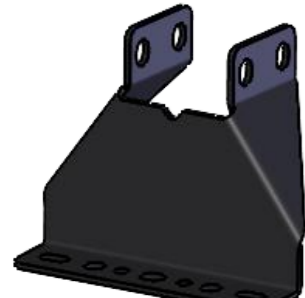
PS089 x 1



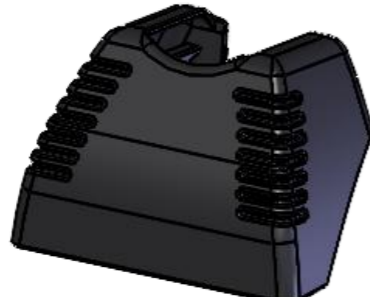
MS168 x 2



PS090 x 1



MS1001 x 2



PS095 x 2



PS473 x 2



MS283 x 2



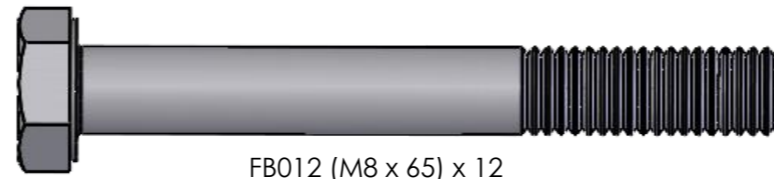
PS472 x 2



PS047 x 6



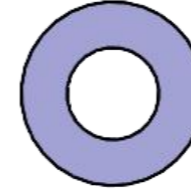
PS081 x 2



FB012 (M8 x 65) x 12



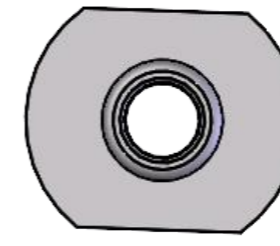
FN006 (M8) x 12



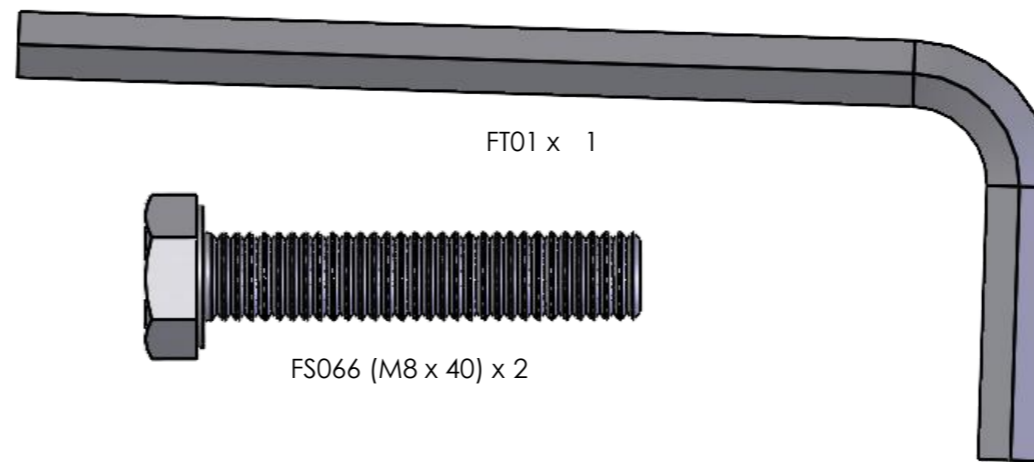
FW037 (M8) x 24



FS059 (M8 x 25) x 16



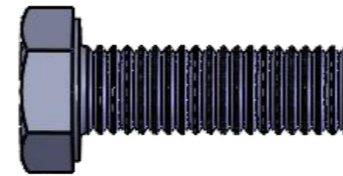
FN023 (M8) x 16



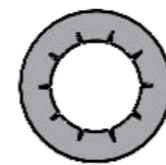
FT01 x 1



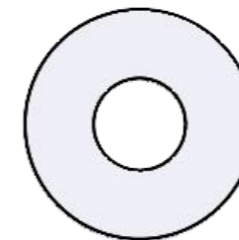
FS066 (M8 x 40) x 2



FS062 (M8 x 25) x 4



FW009 (M8) x 6



FW002 (M8) x 6



13mm x 2

