

**A659**

31kg + xx kg = Max. 150kg

**JUMPY/DISPATCH/PROACE/EXPERT 2016-**  
L1, H1, TWIN DOORS

1920mm  
2925mm  
4606mm

x 9  
x 9

455mm 250mm 700mm 500mm 375mm


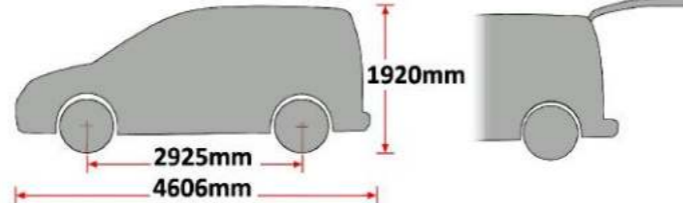
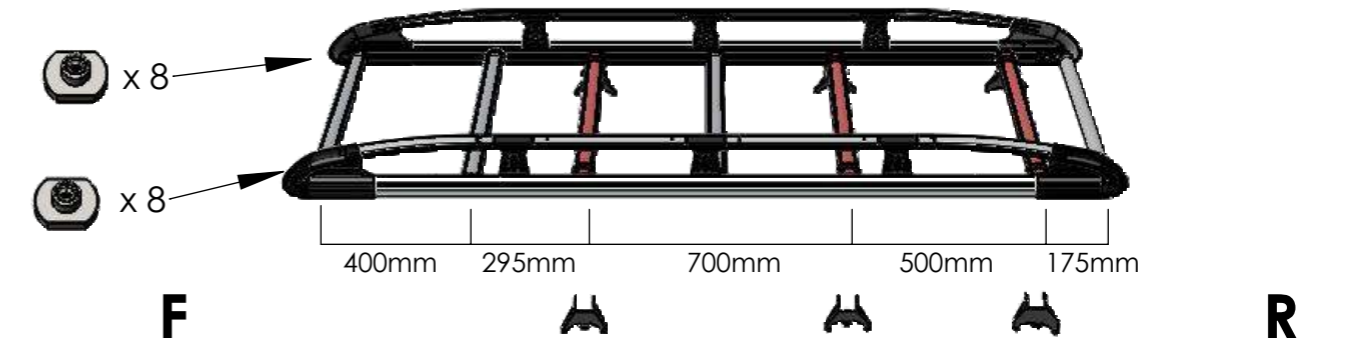
**F** **R**

**A**


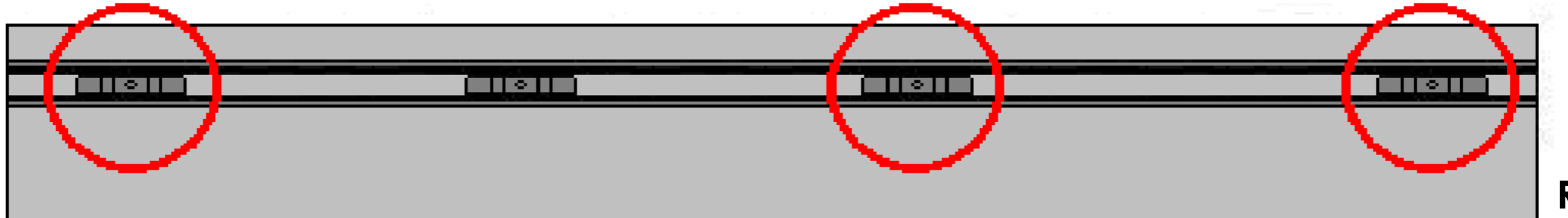
**F** **R**

**A** **PAGE 4/13**


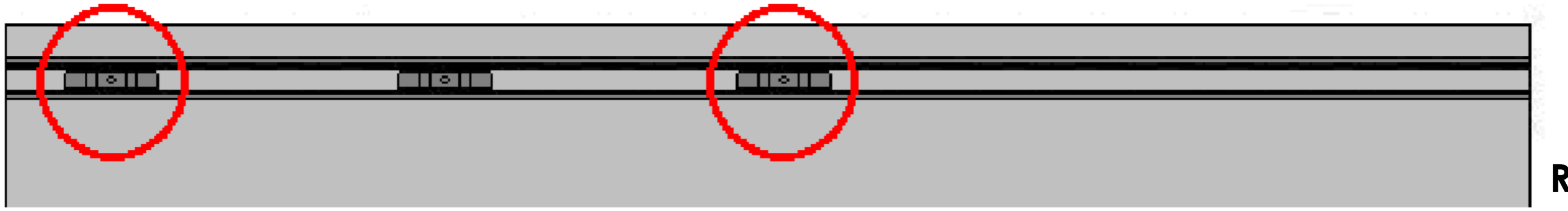

**B** **PAGE 8/13**

<p><b>A660</b></p> 	<p><b>JUMPY/DISPATCH/PROACE/EXPERT 2016- L1, H1, TAILGATE</b></p> 	
--	--	---

**A**

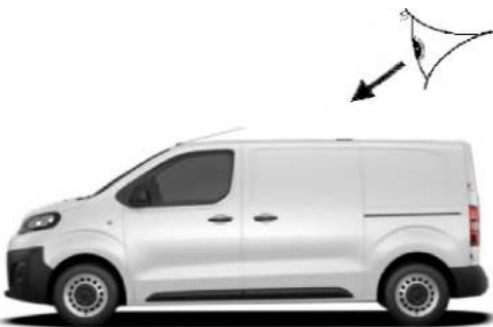



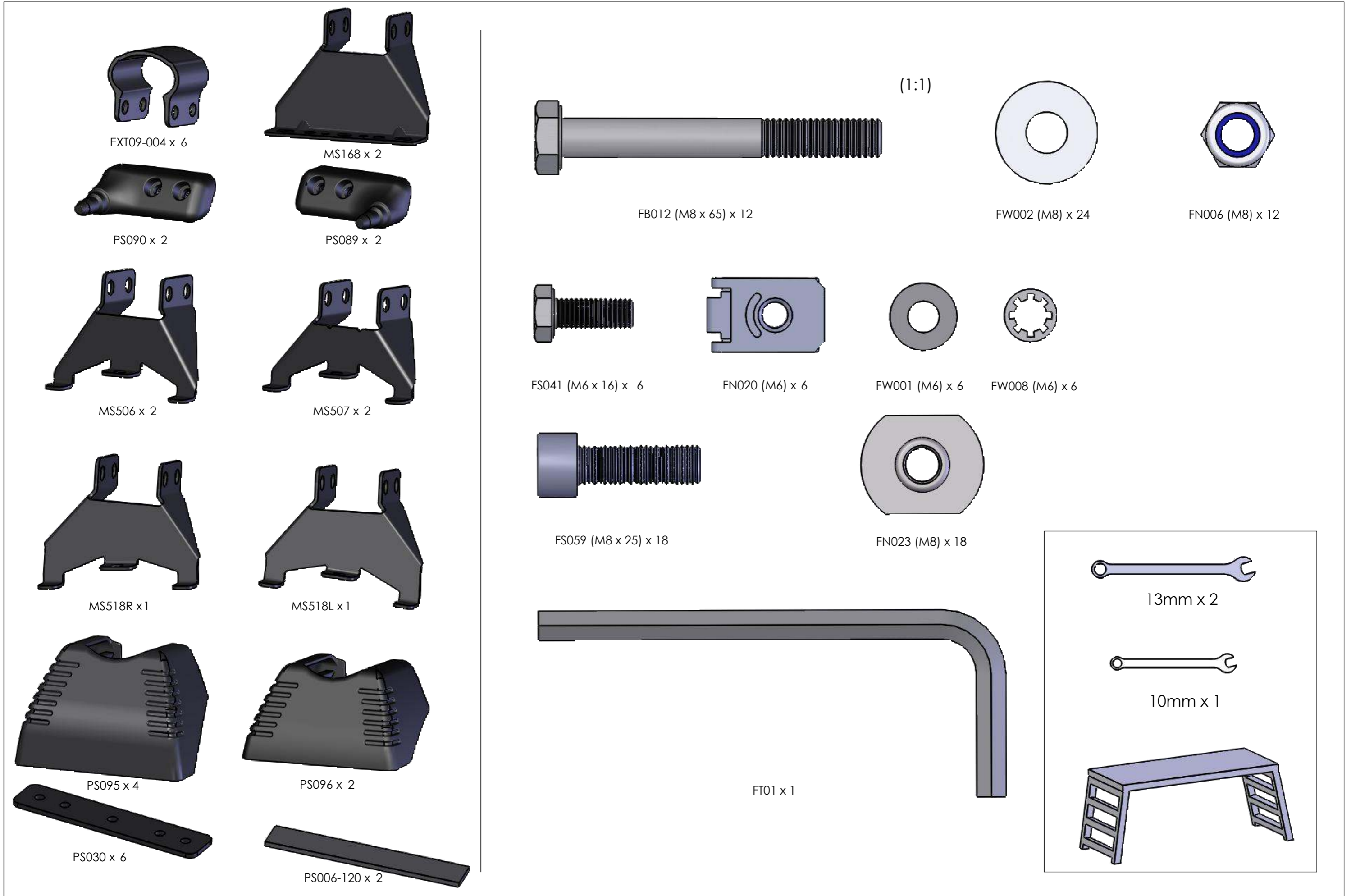
**B**

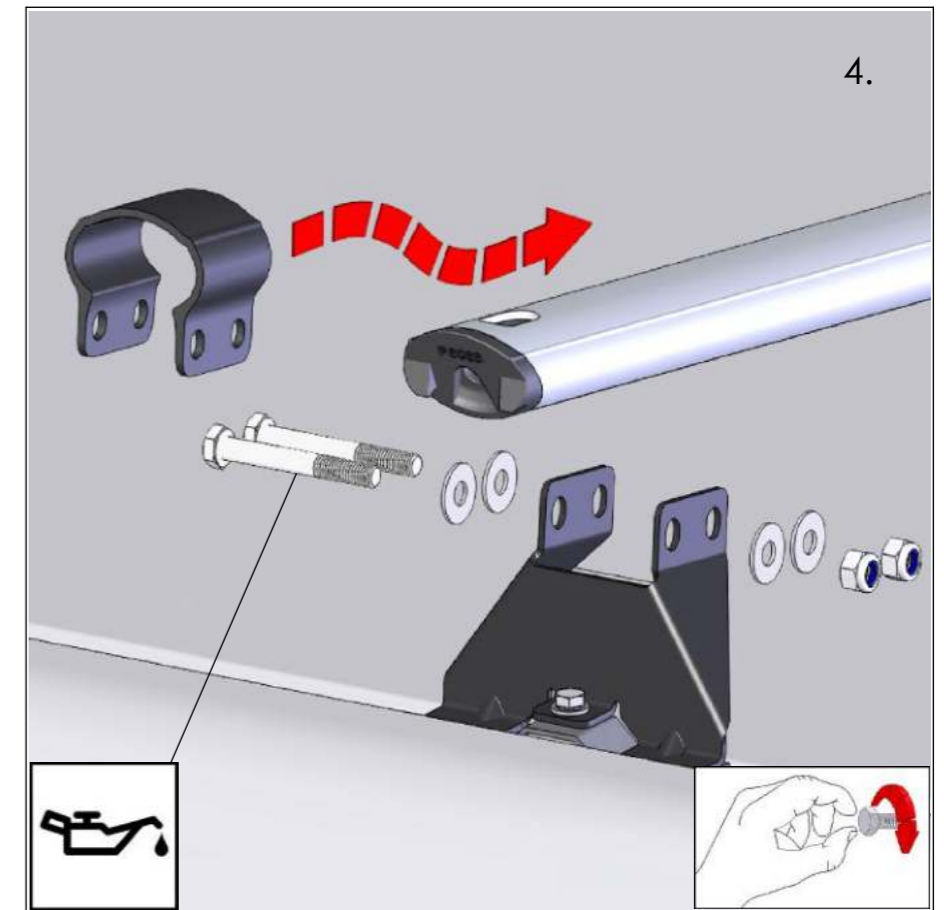
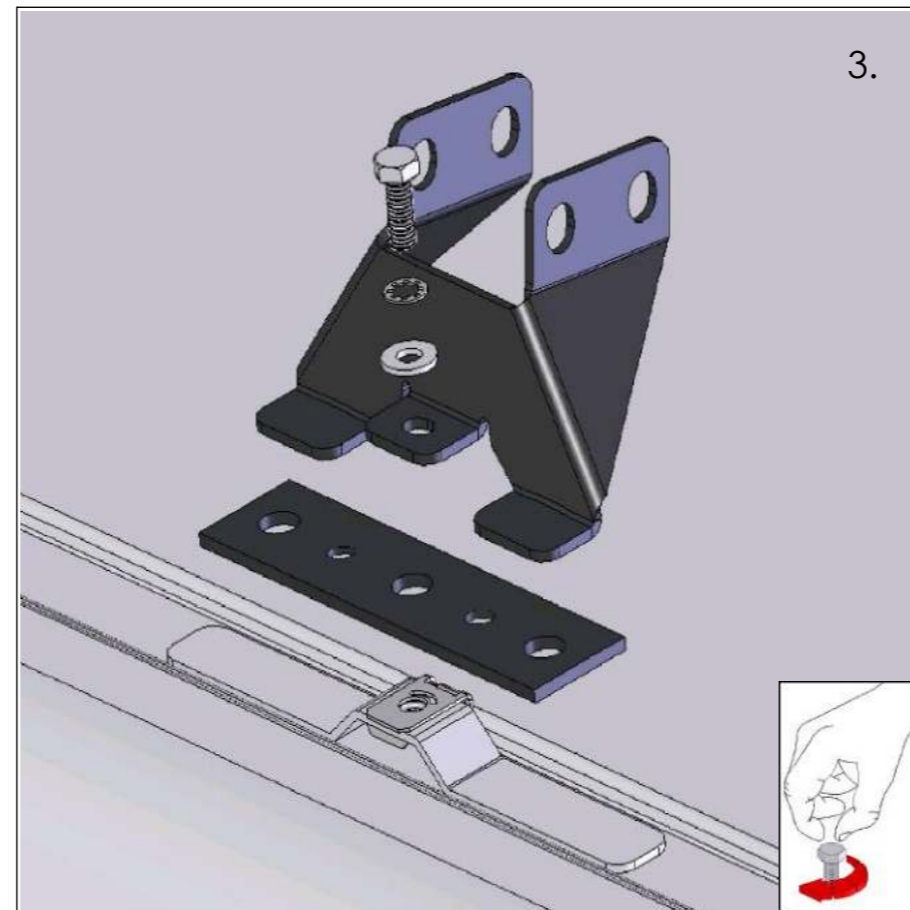
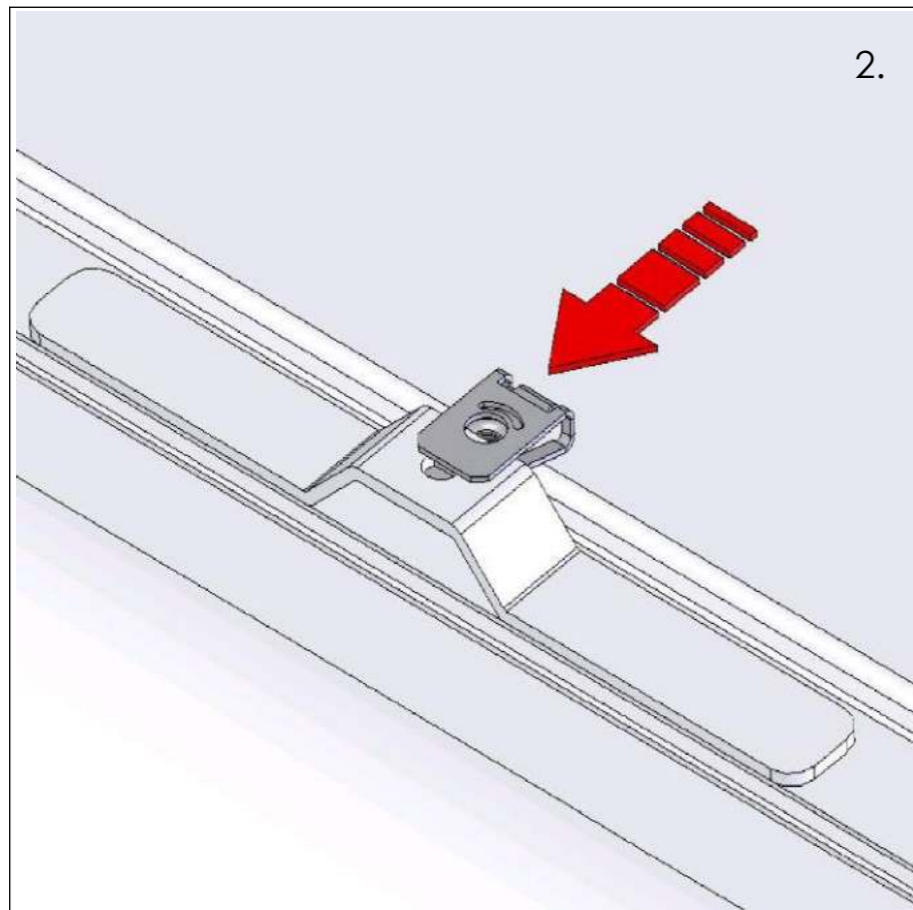
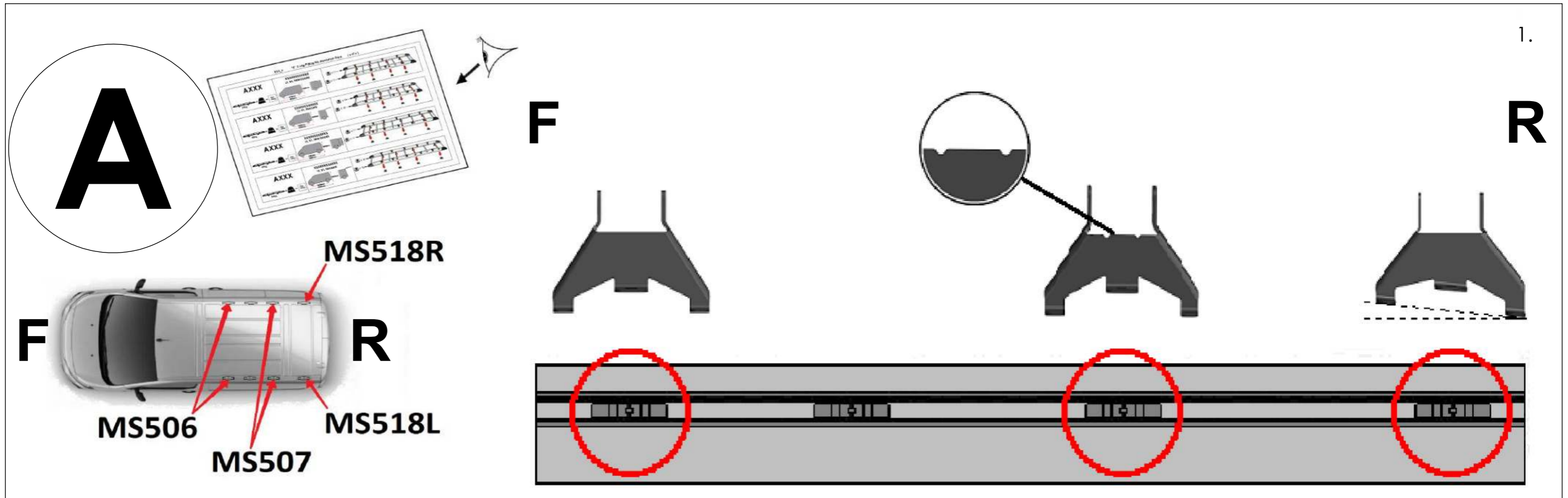
**A** PAGE 4/13

**B** PAGE 8/13

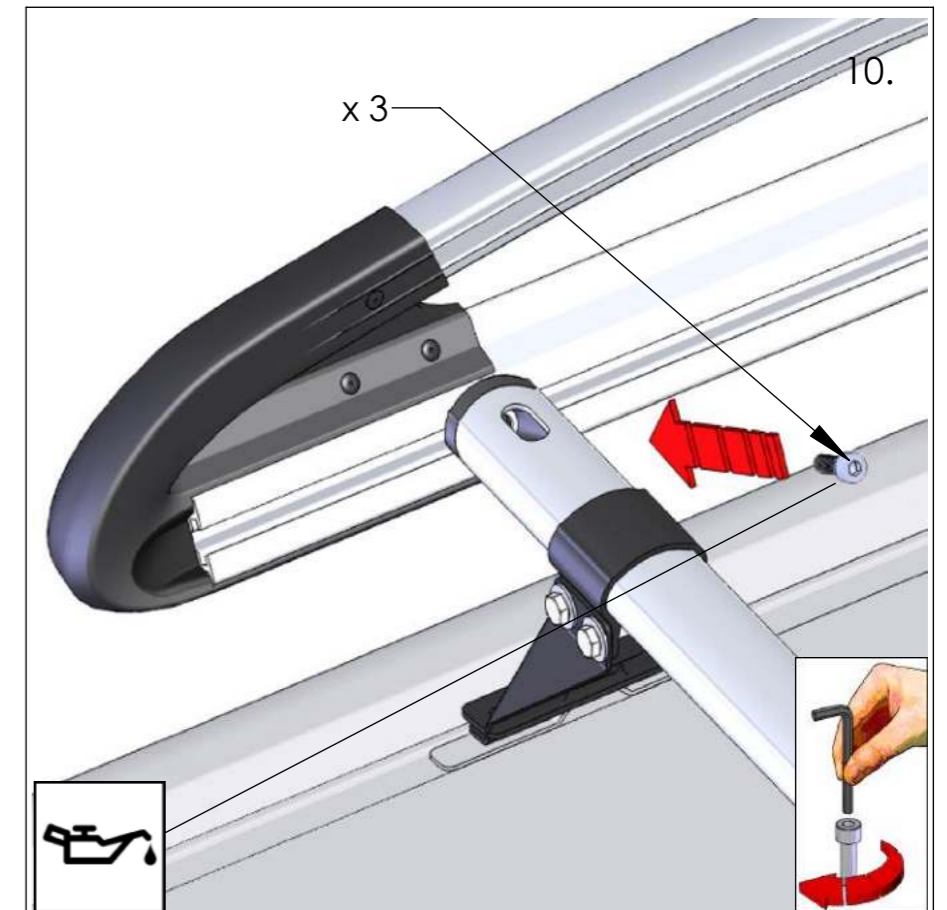
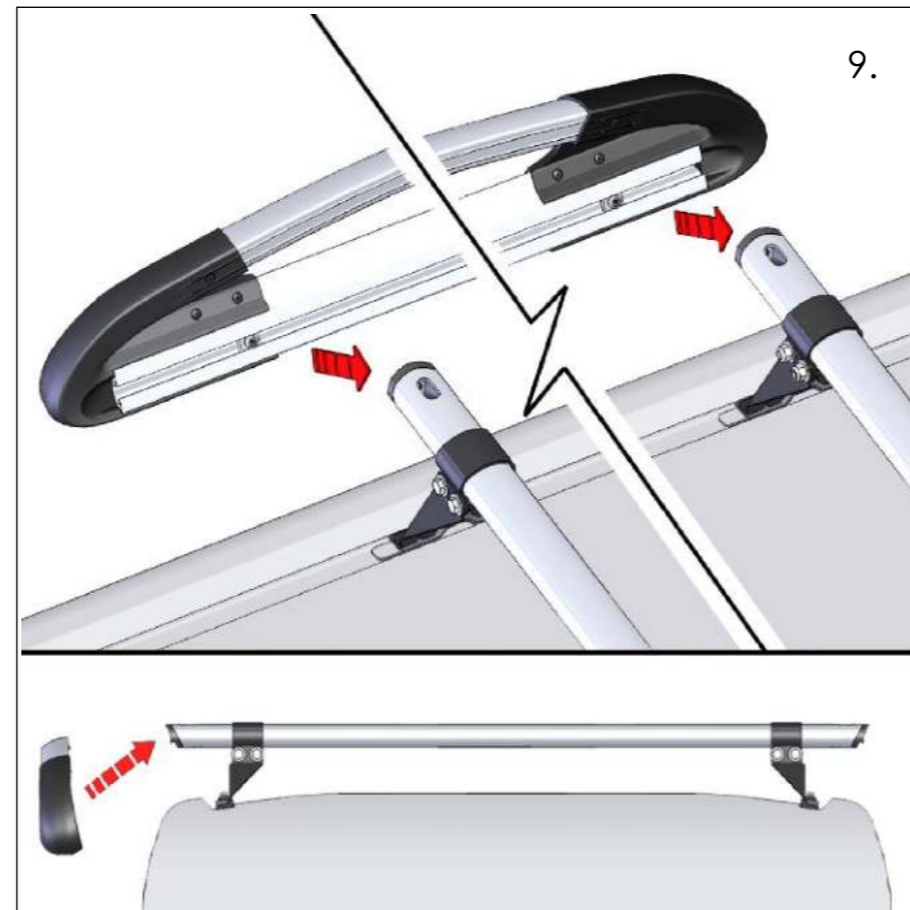
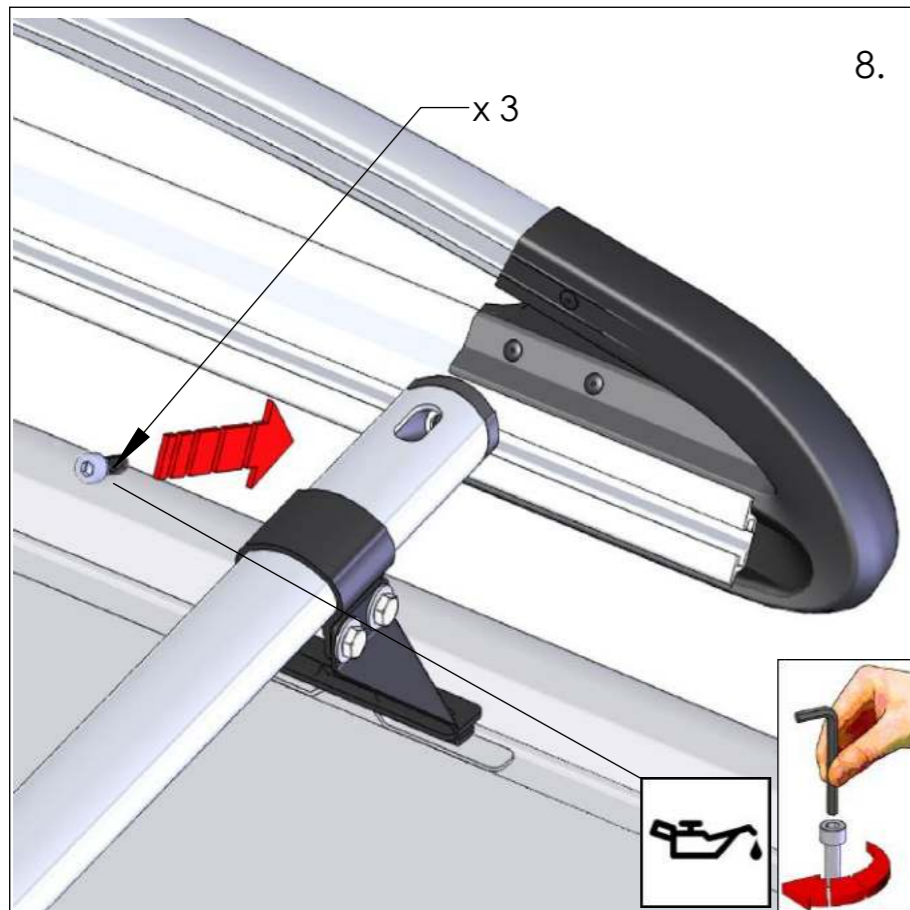
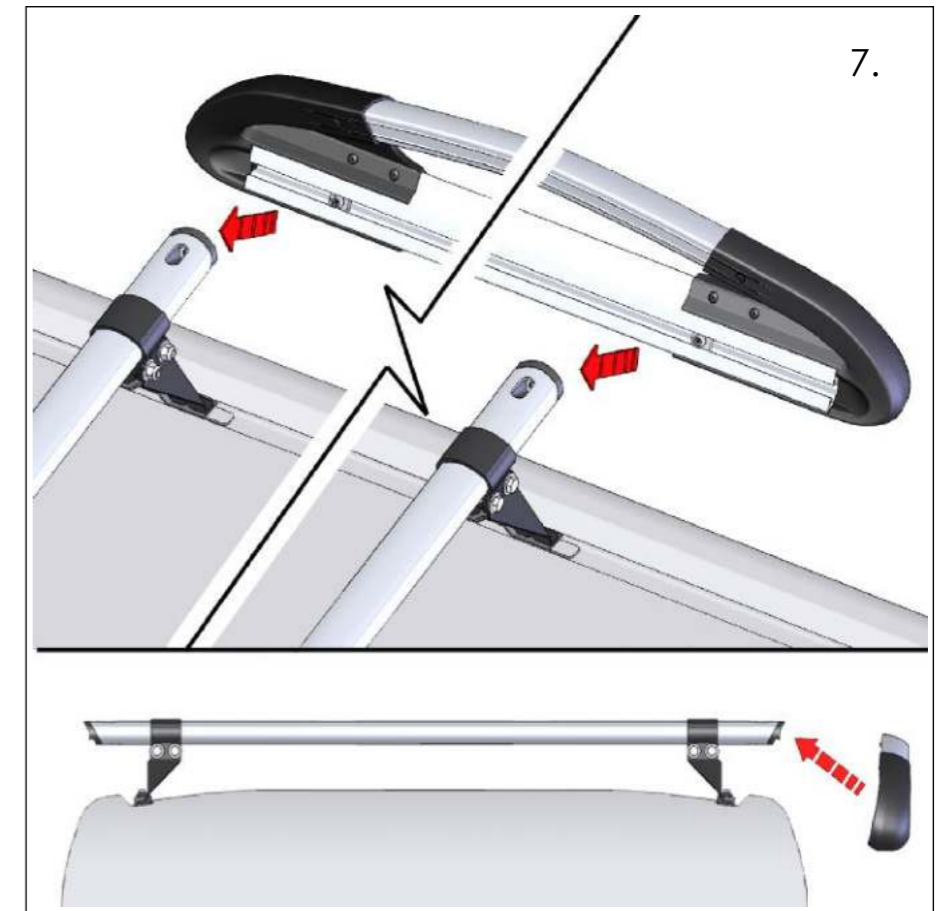
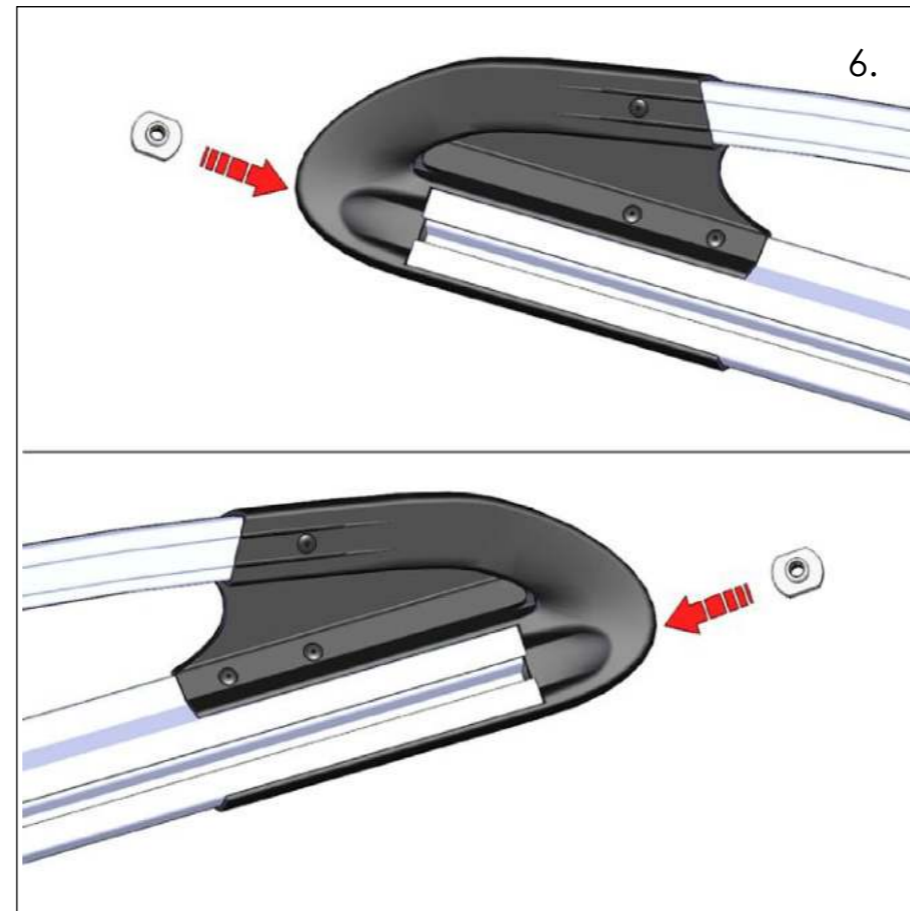
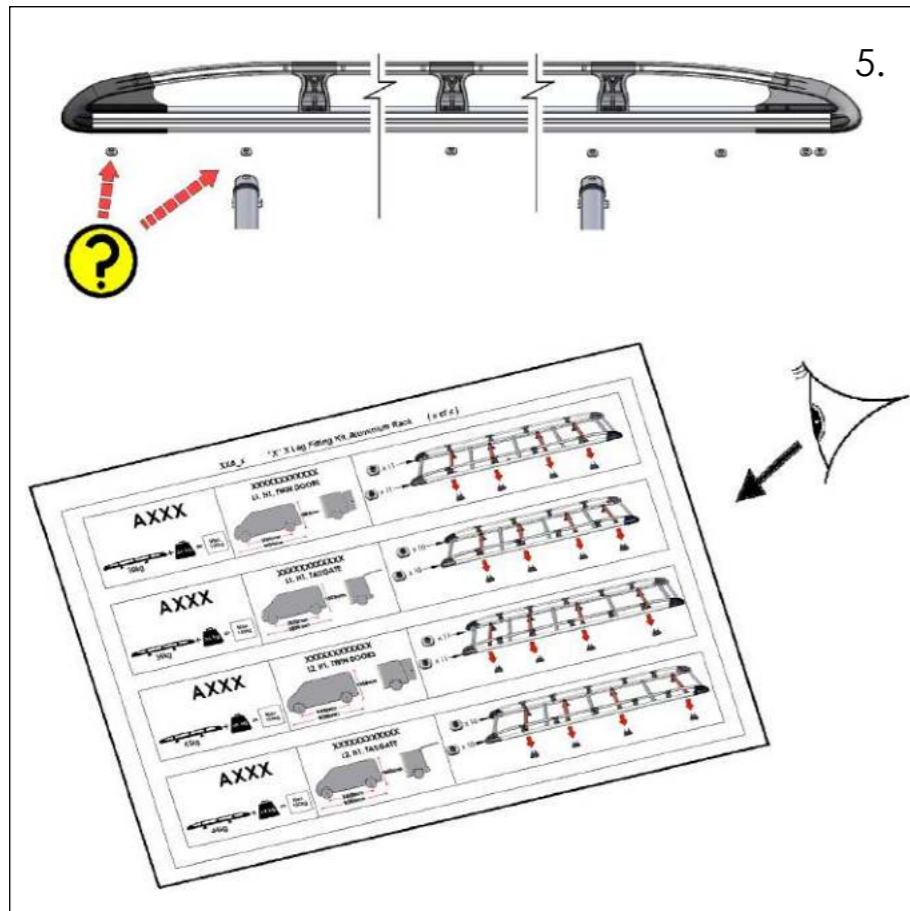




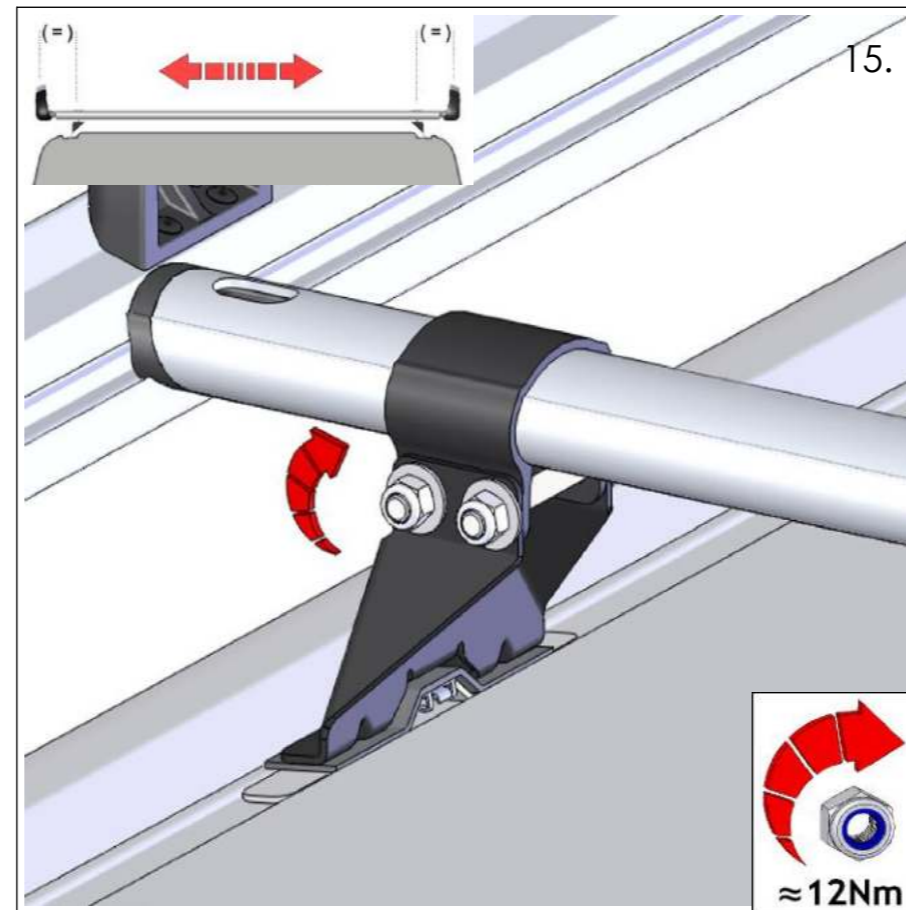
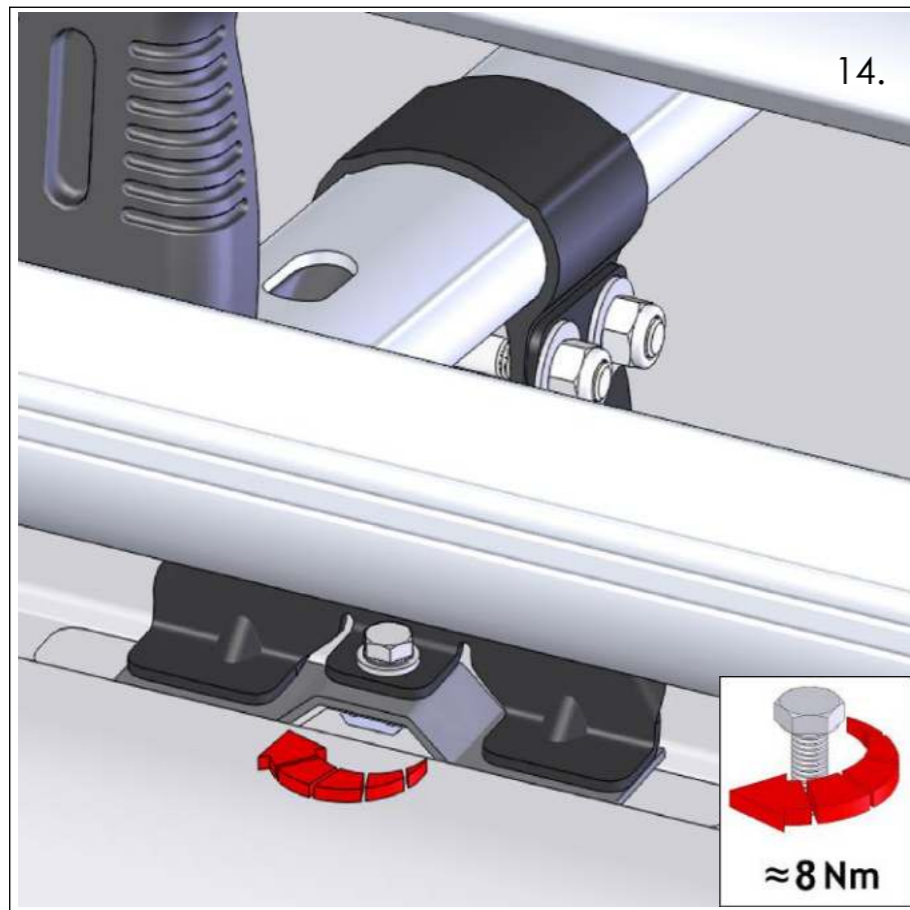
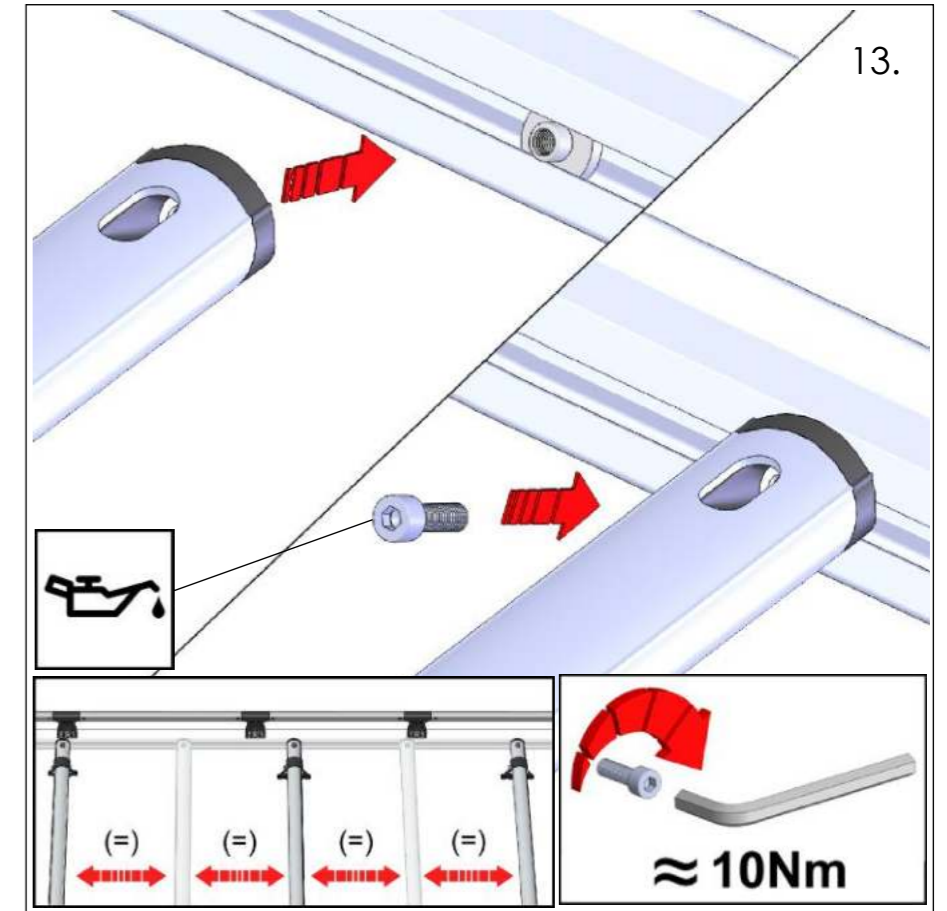
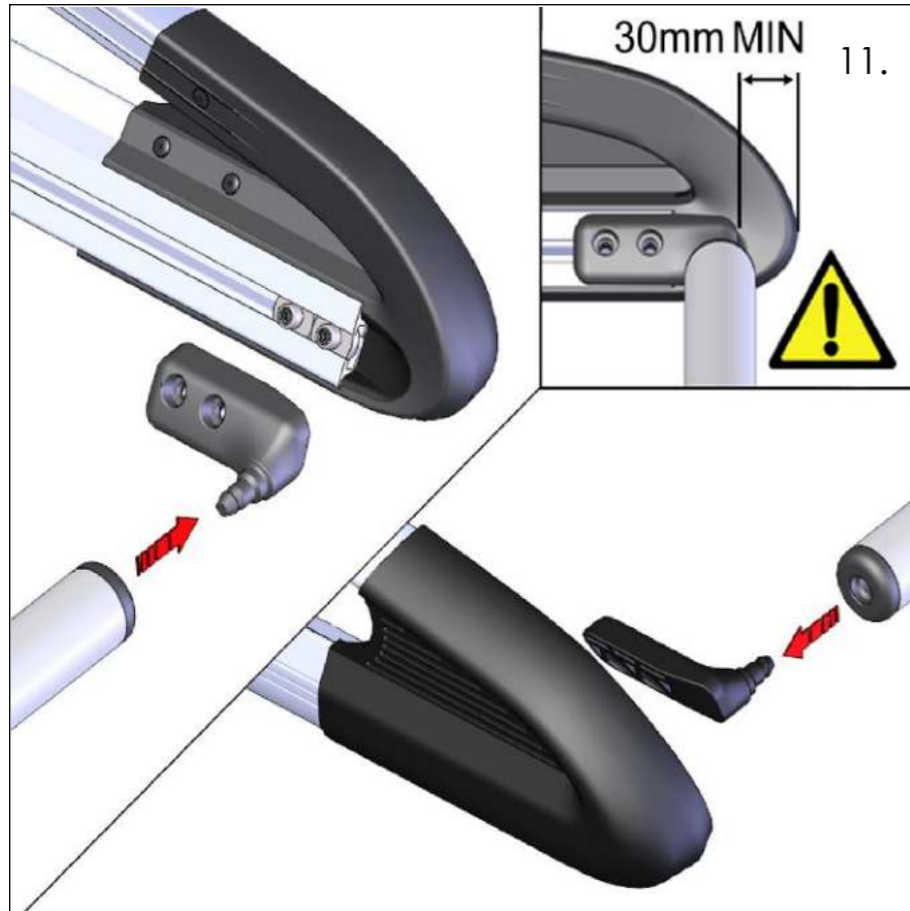




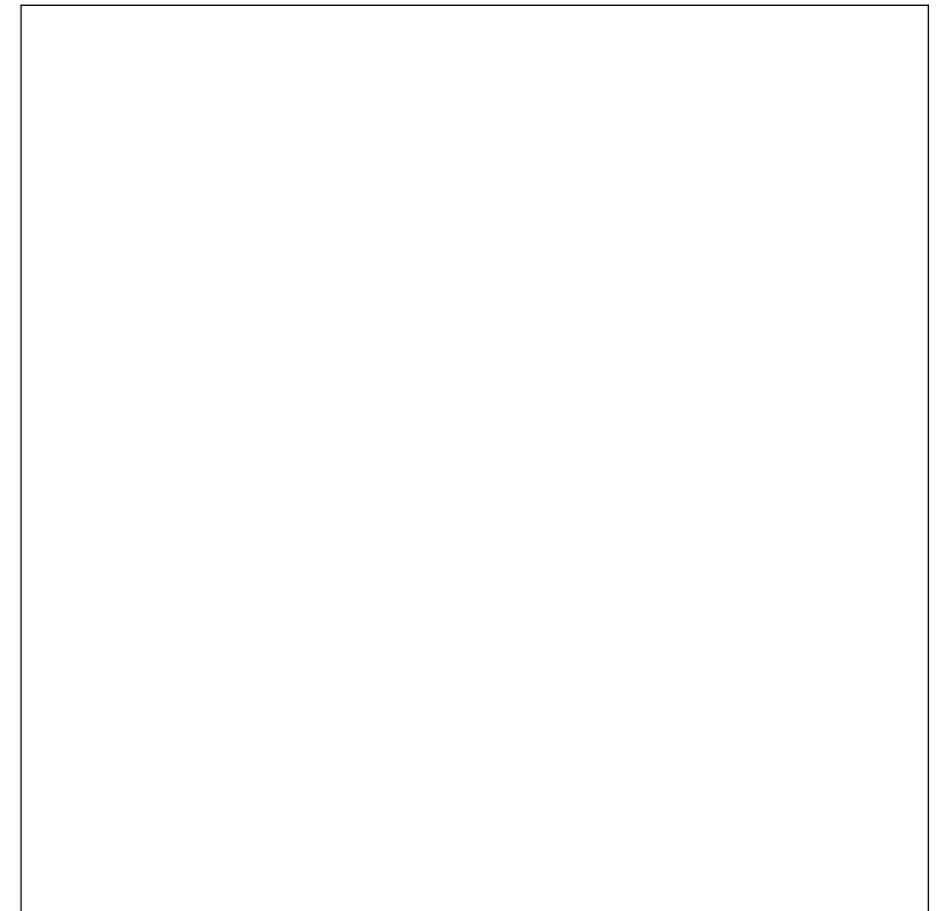
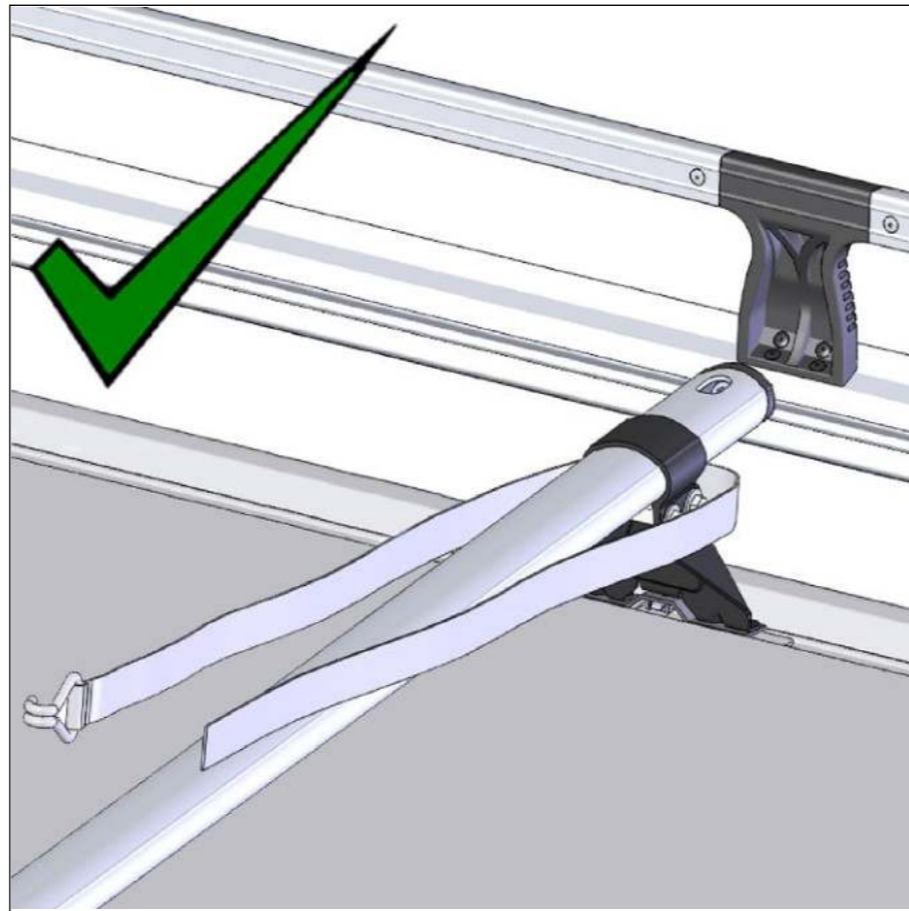
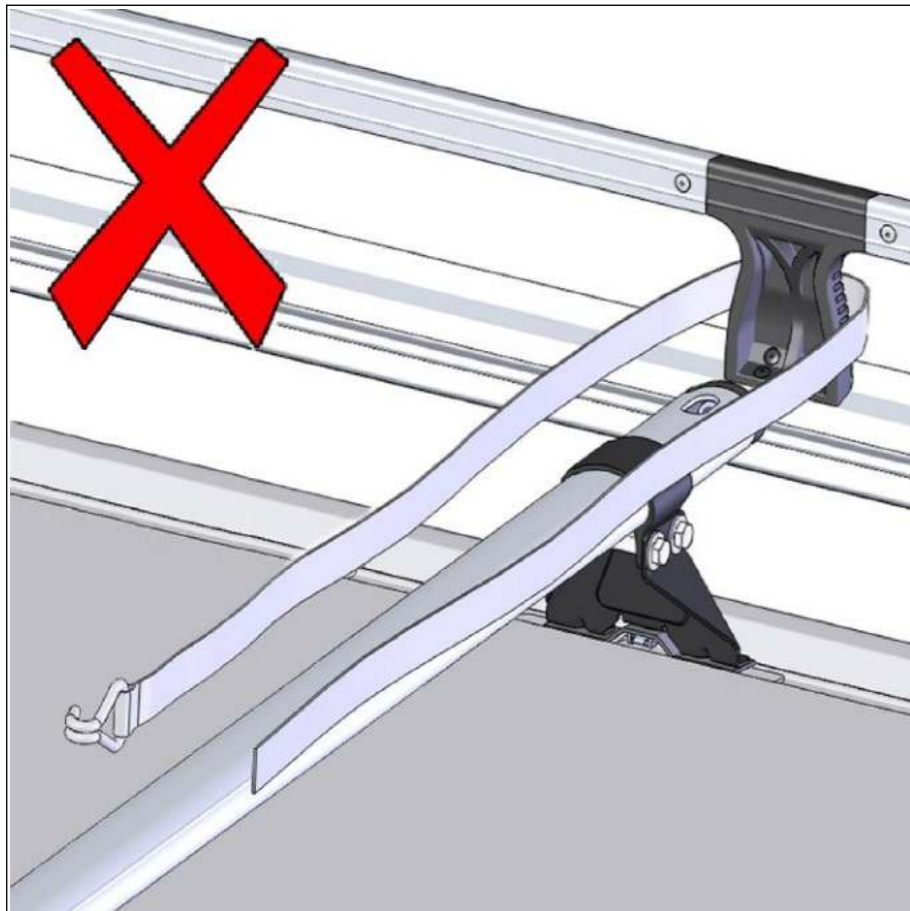
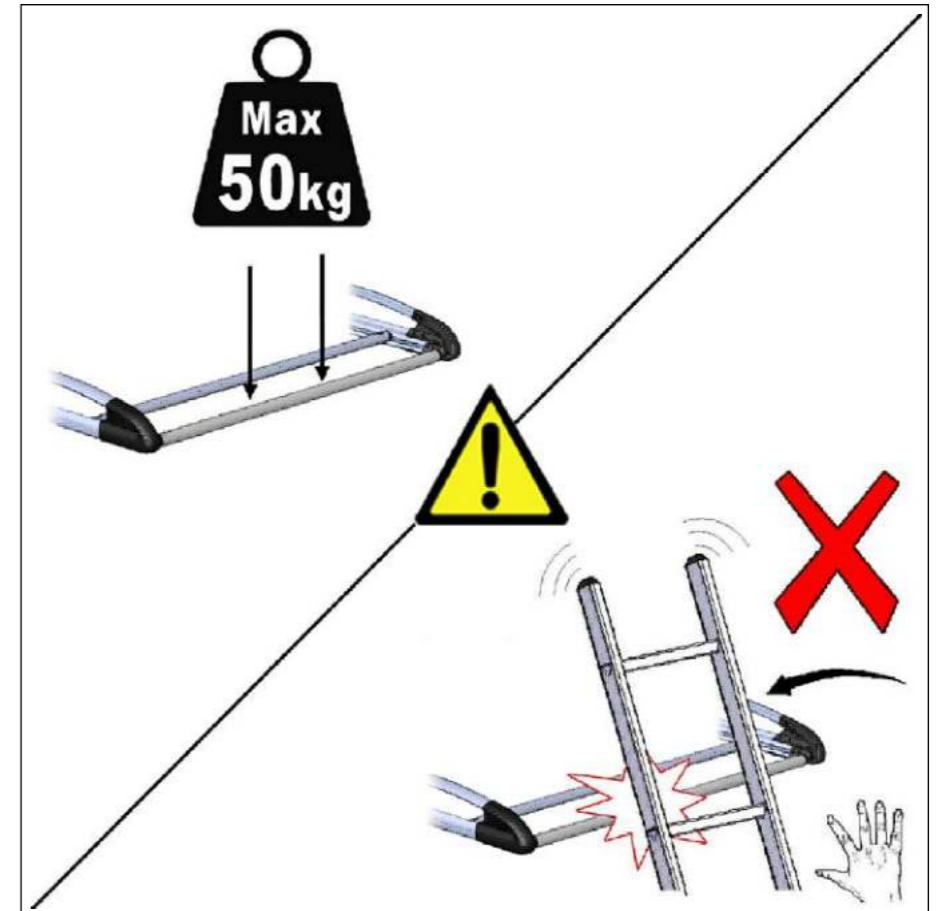
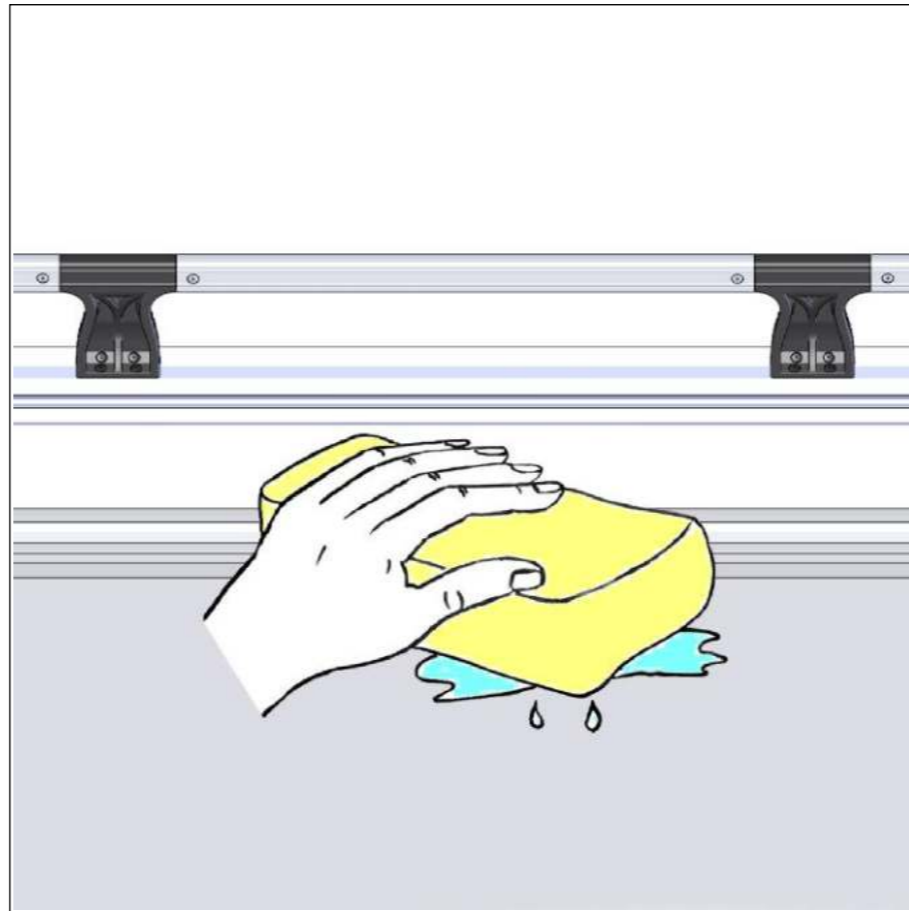
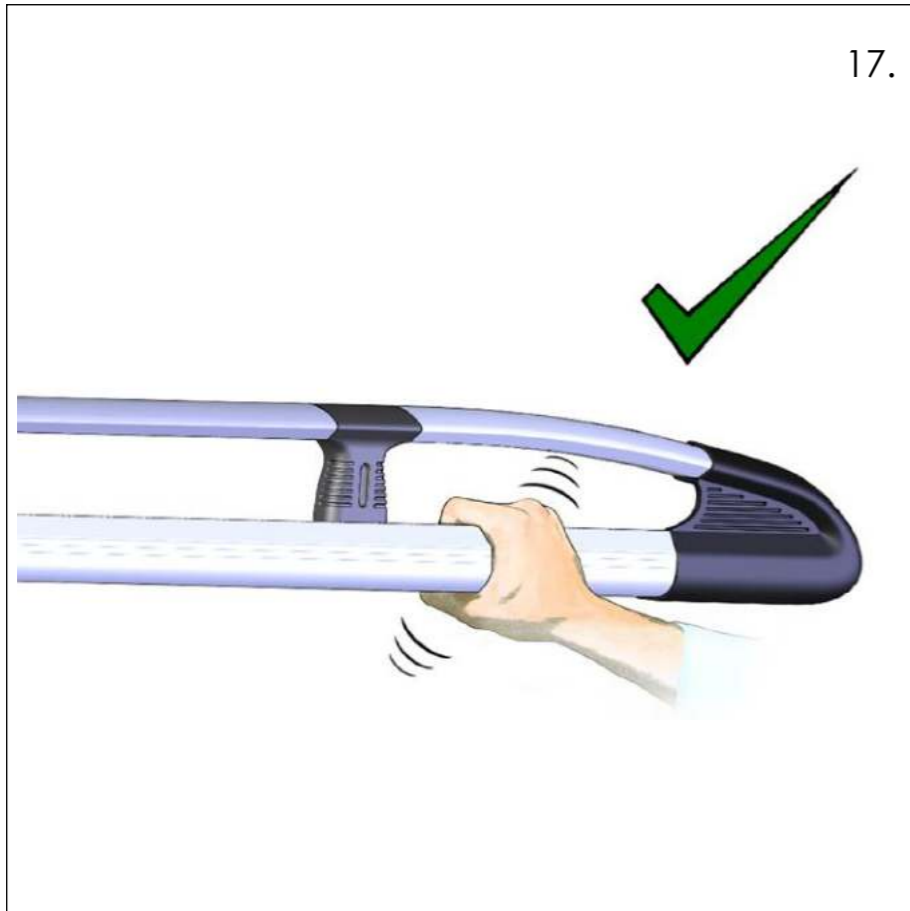




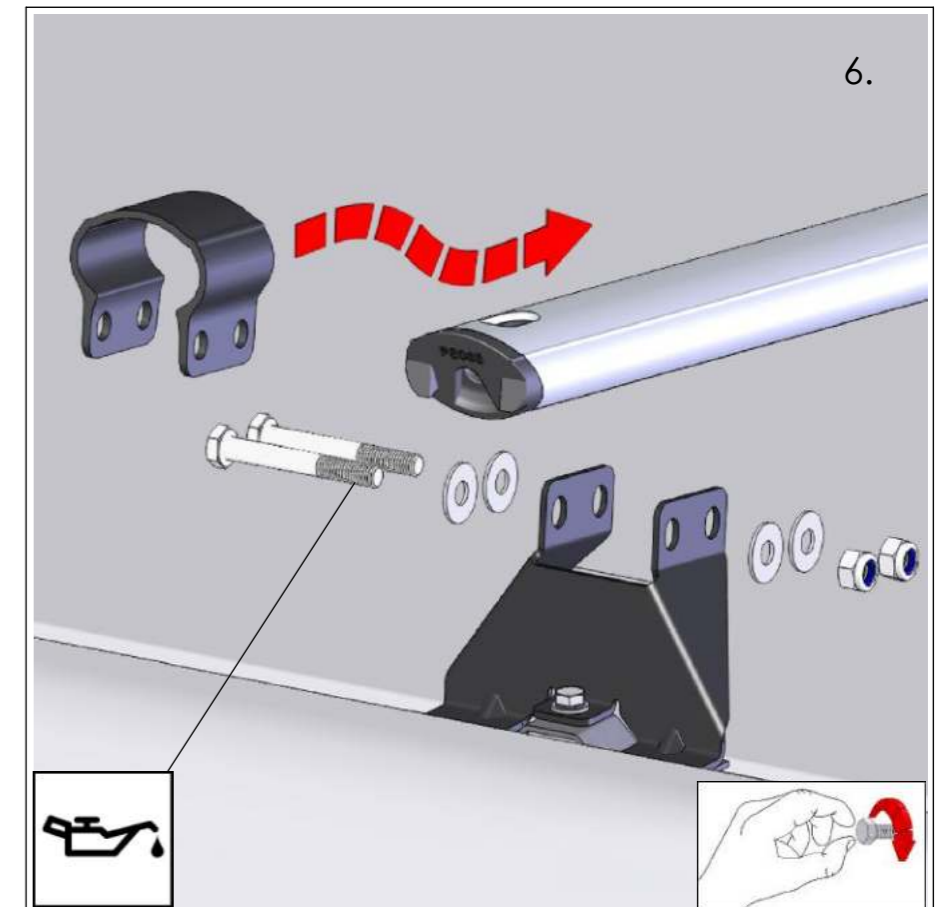
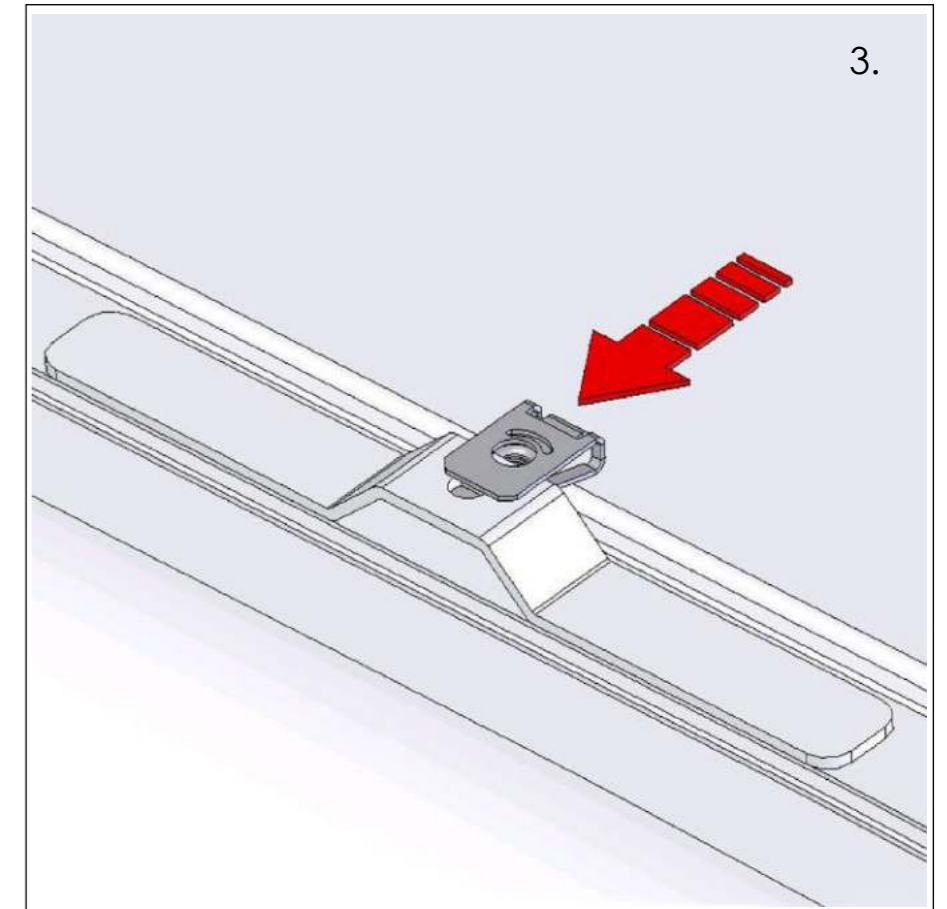
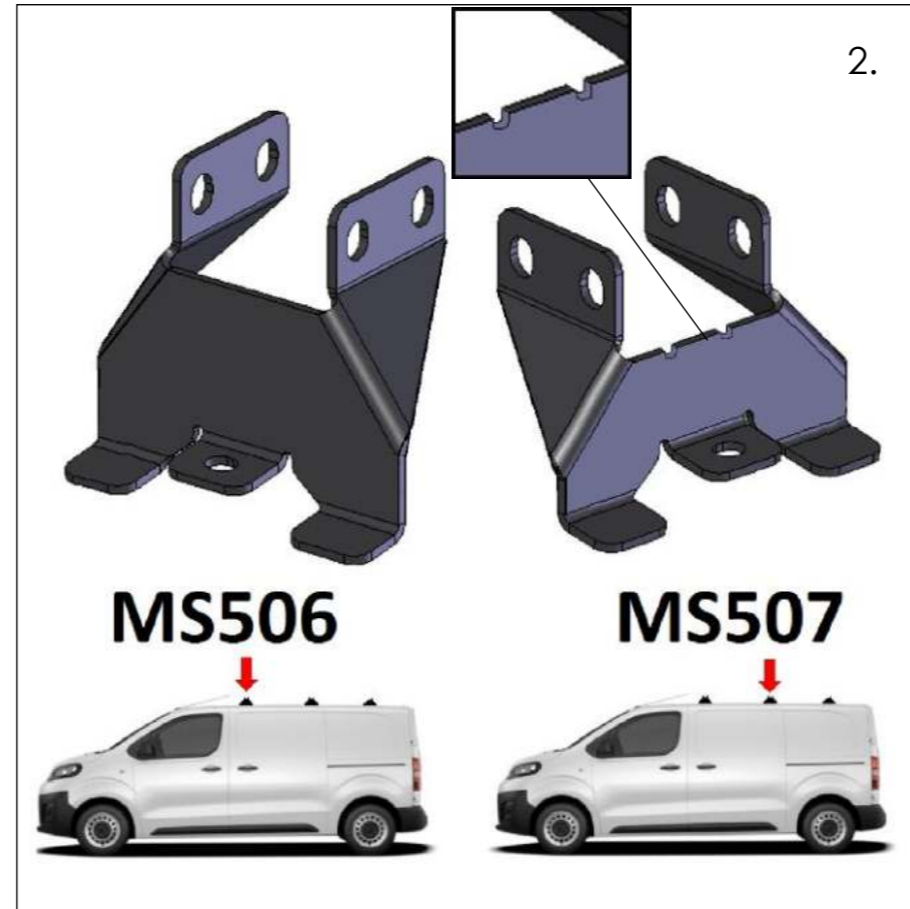
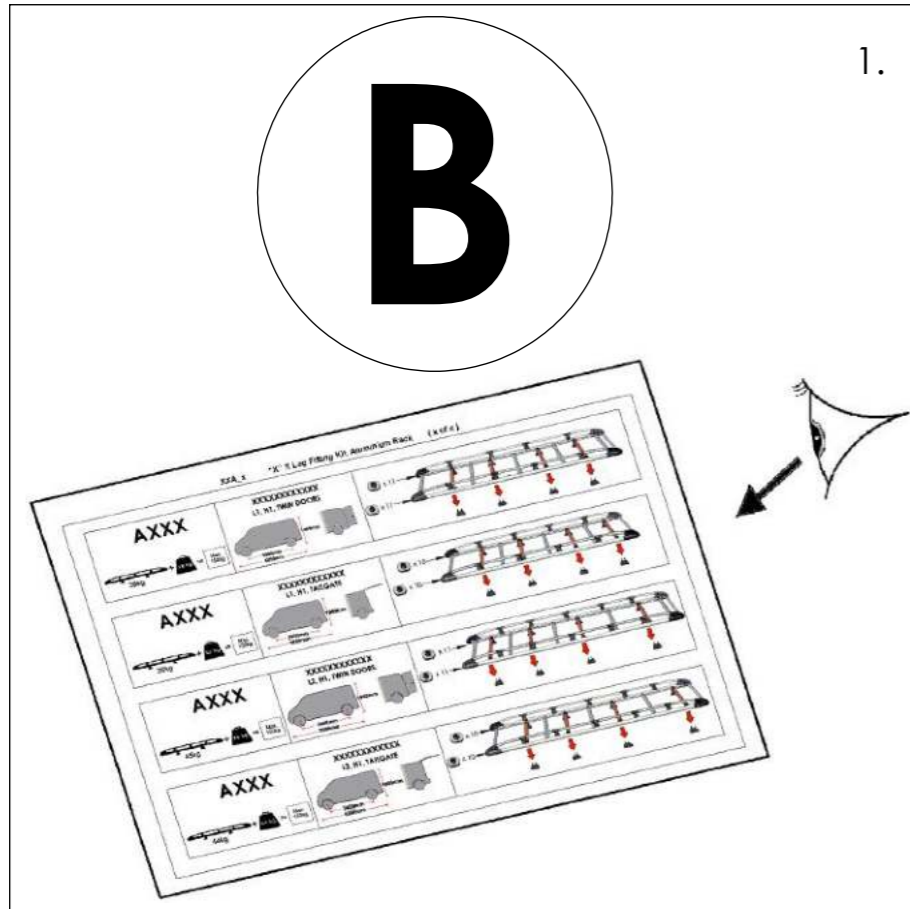




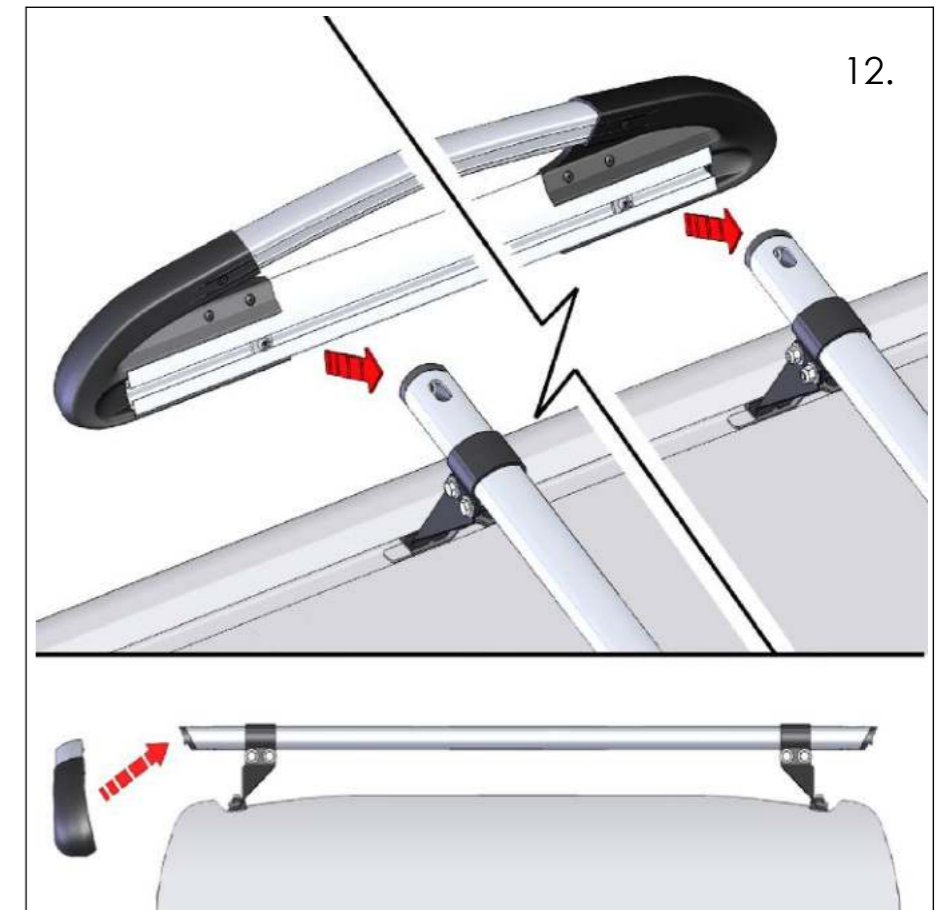
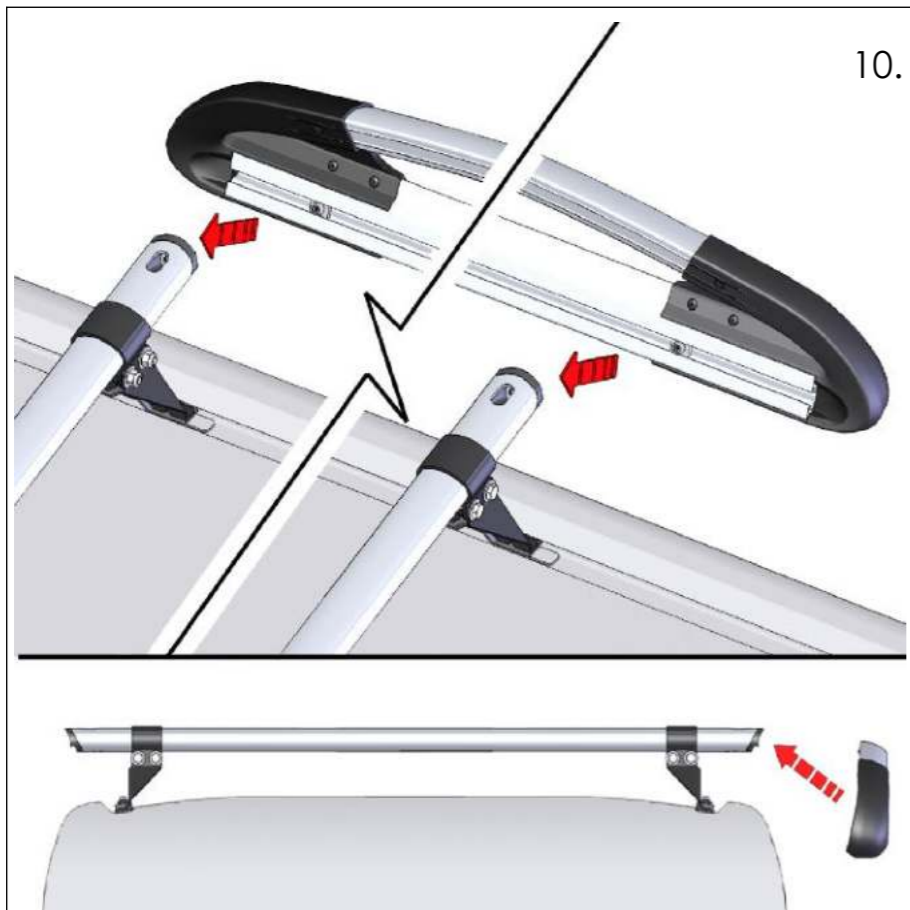
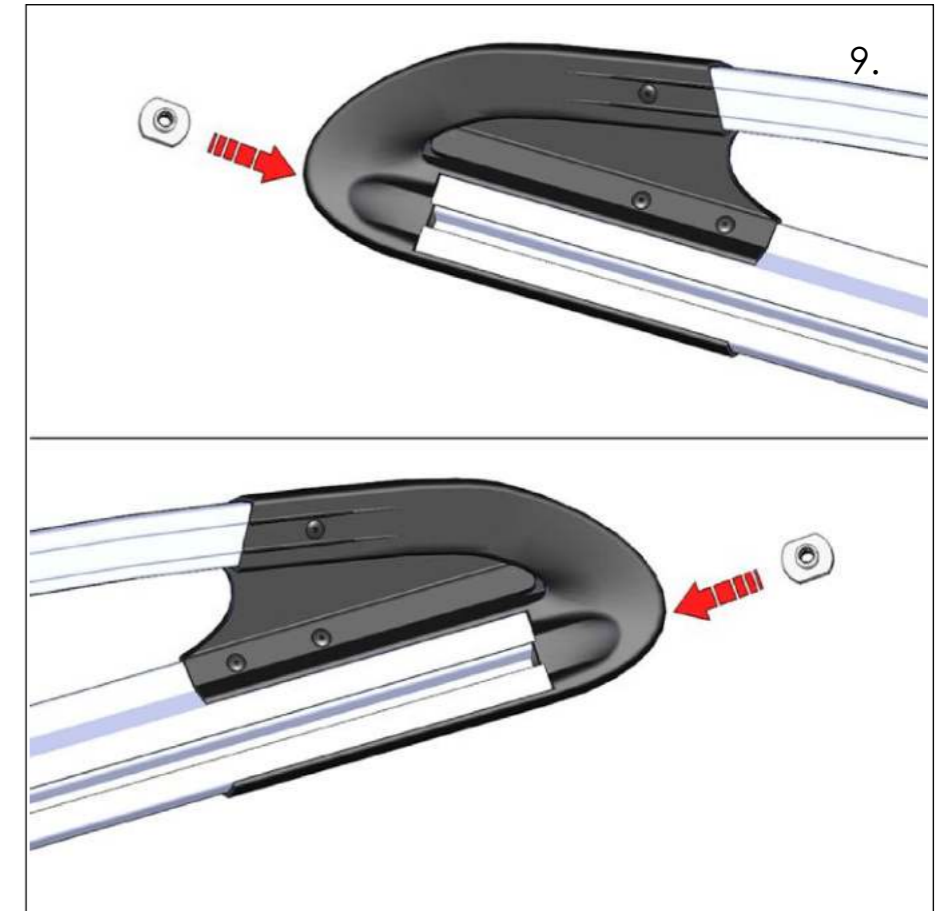
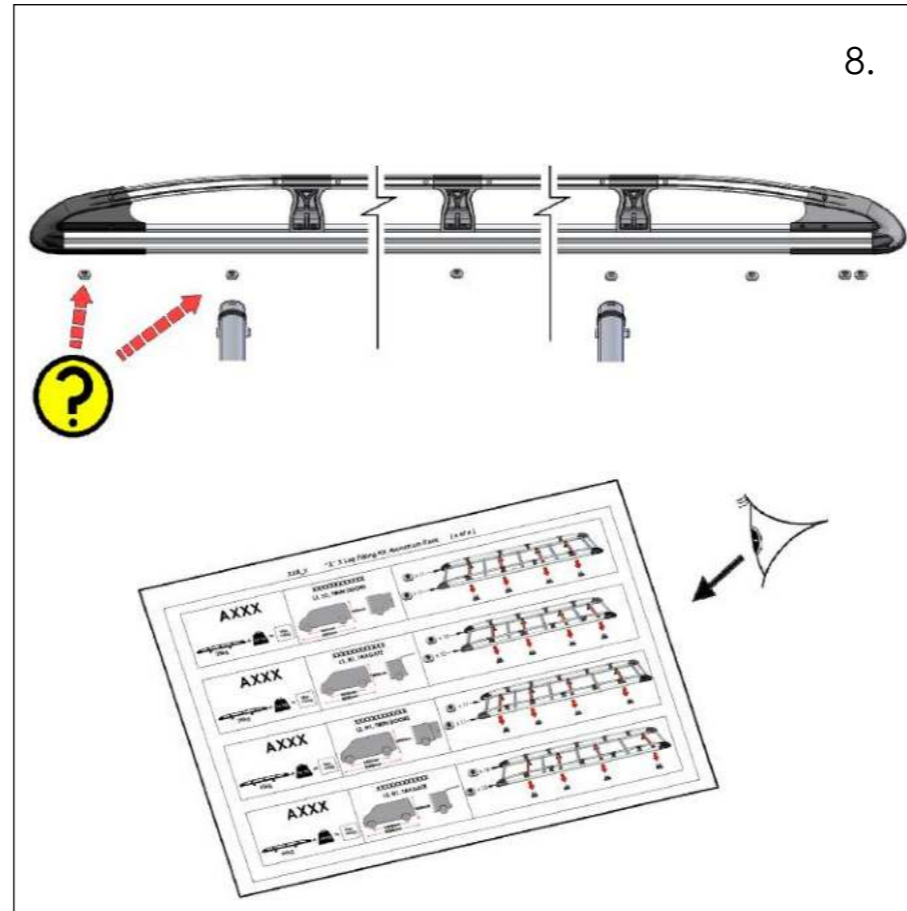
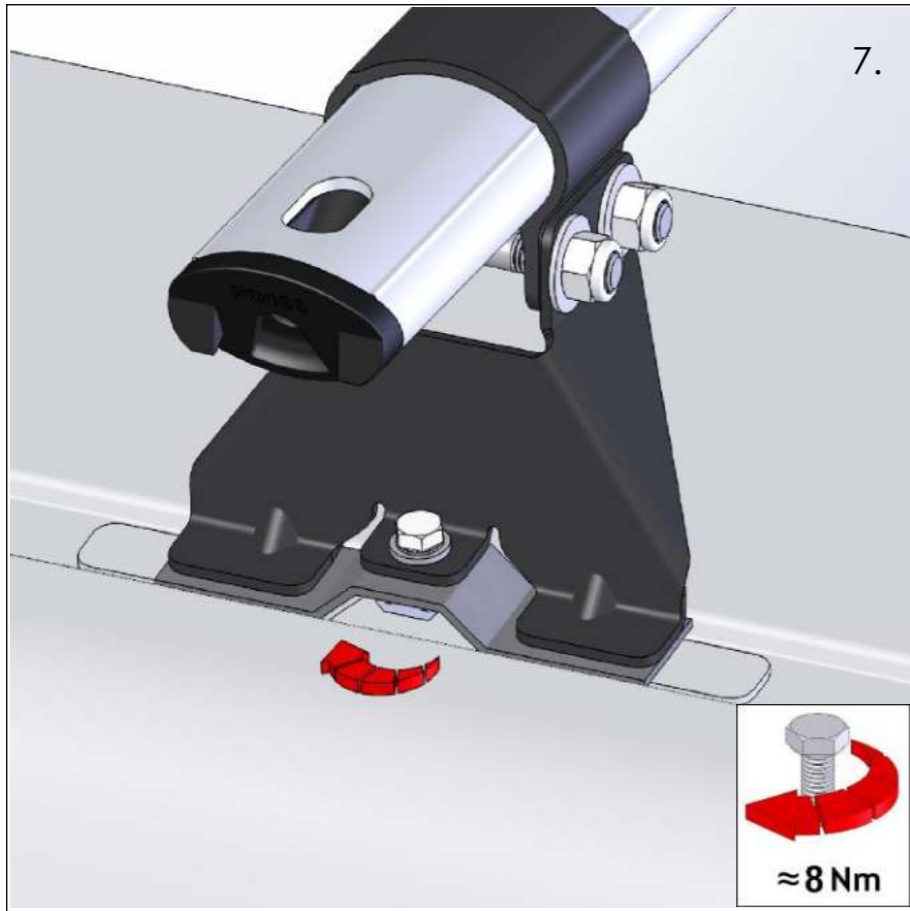




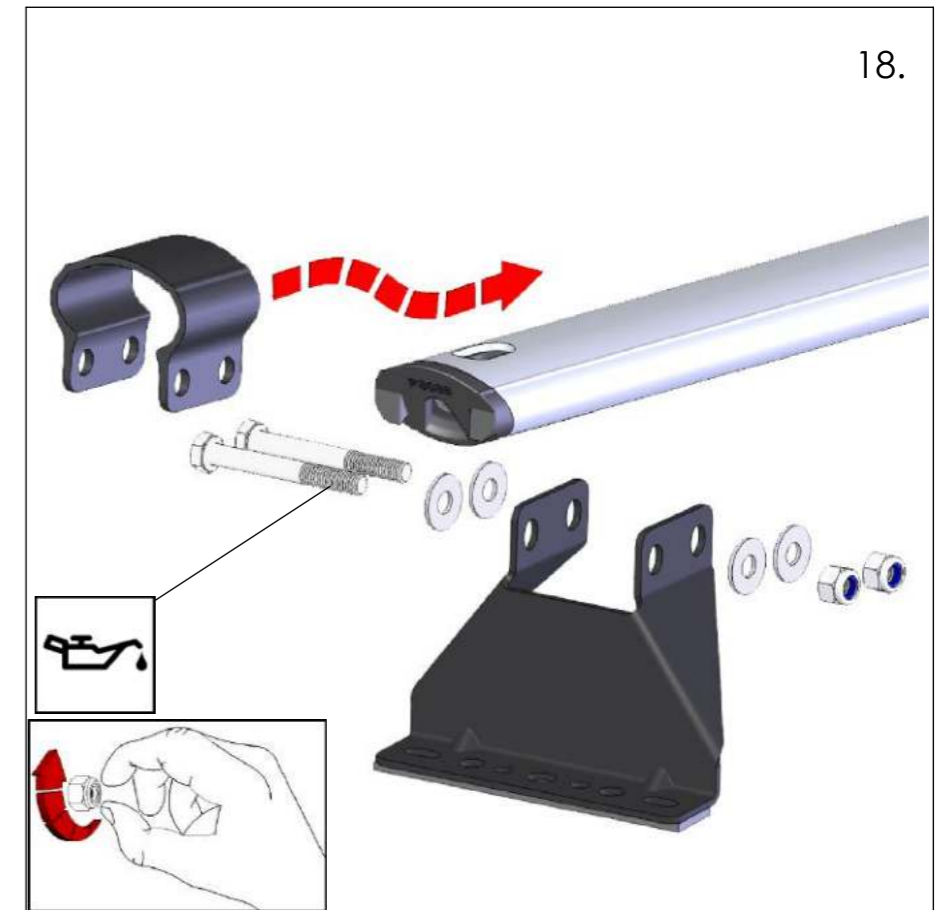
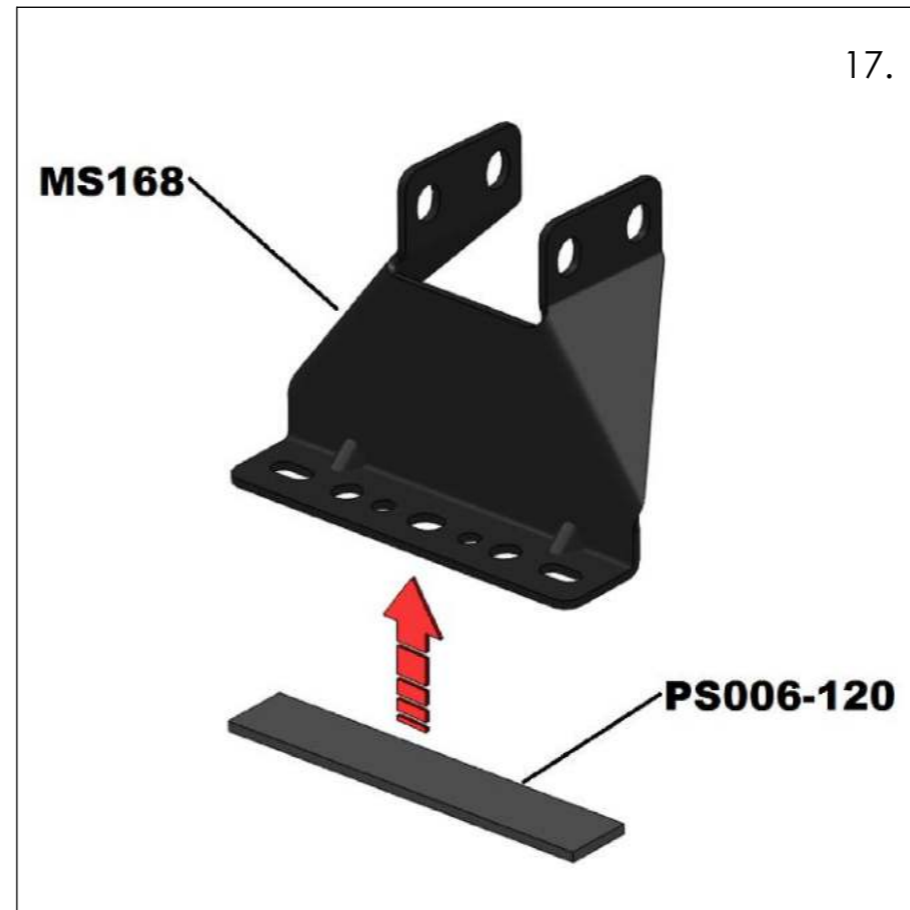
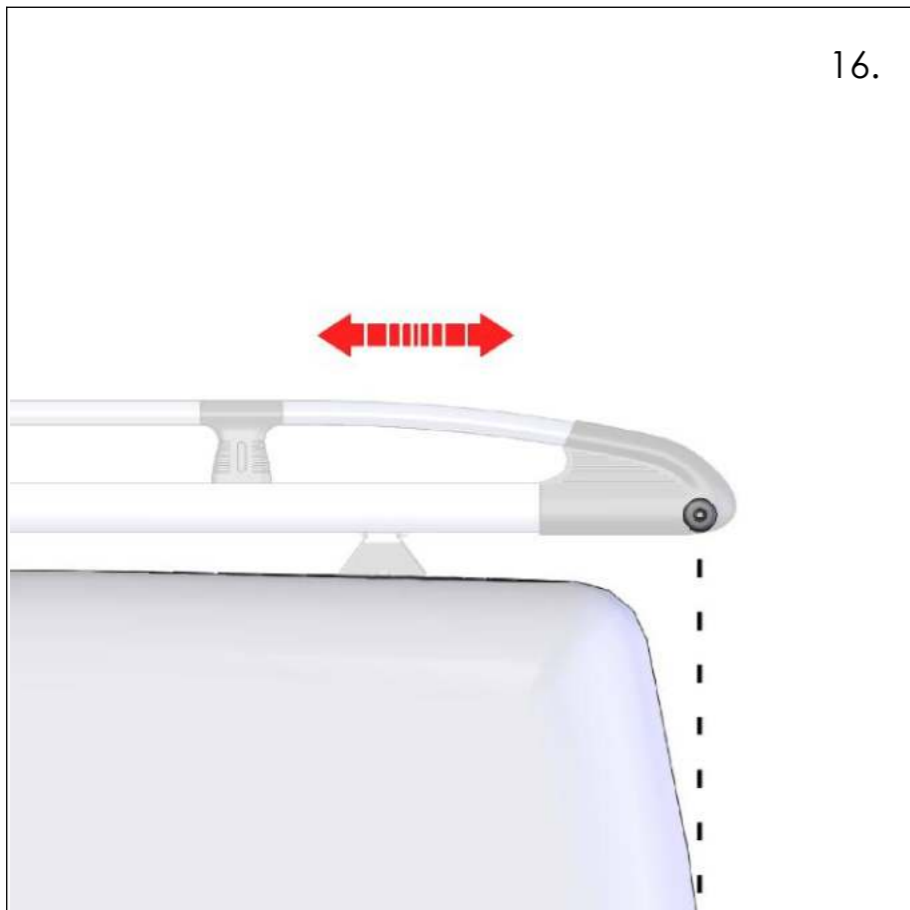
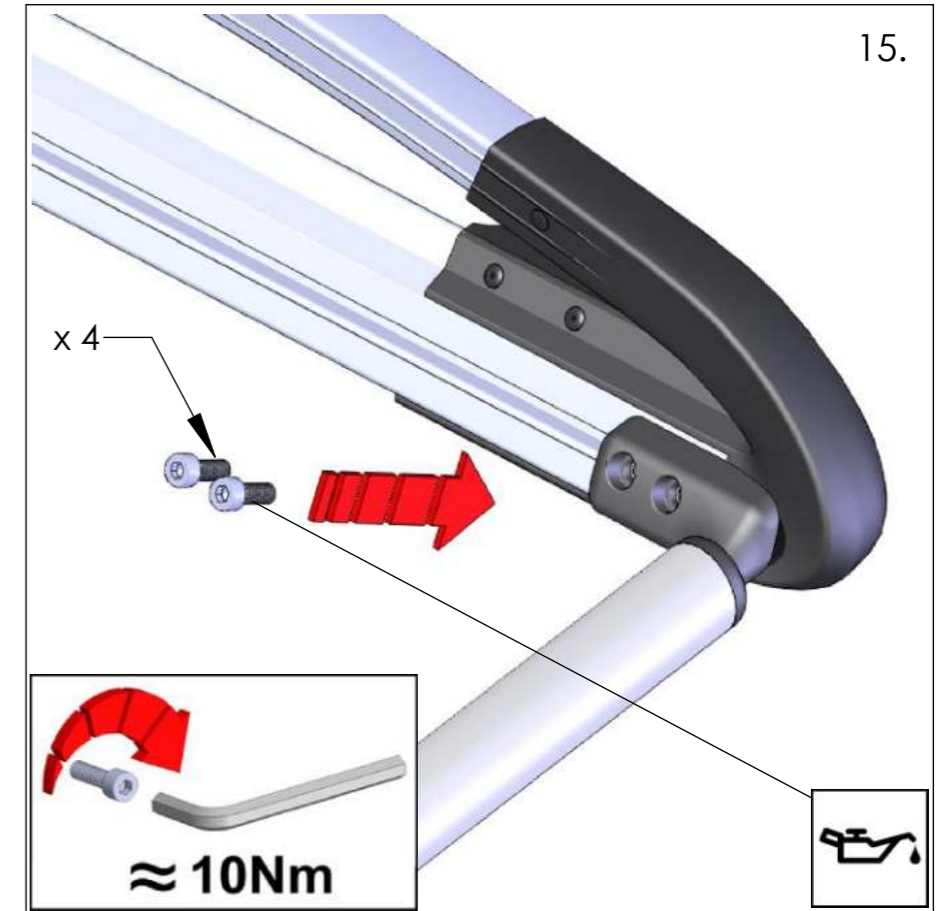
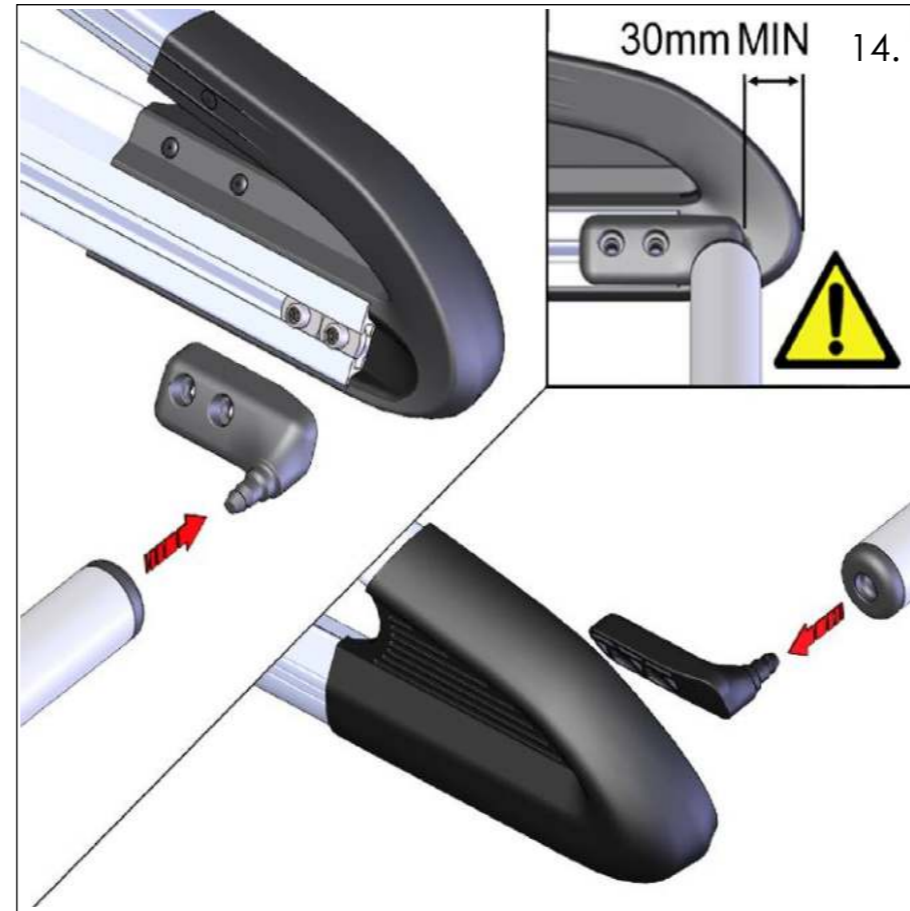
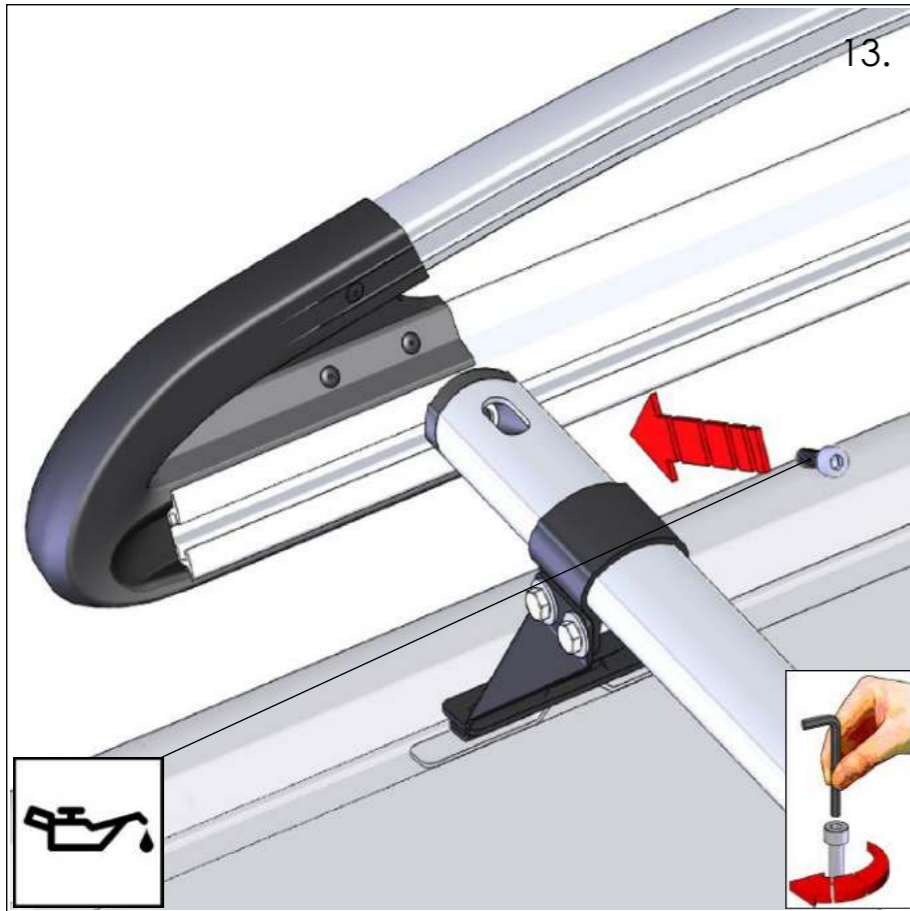




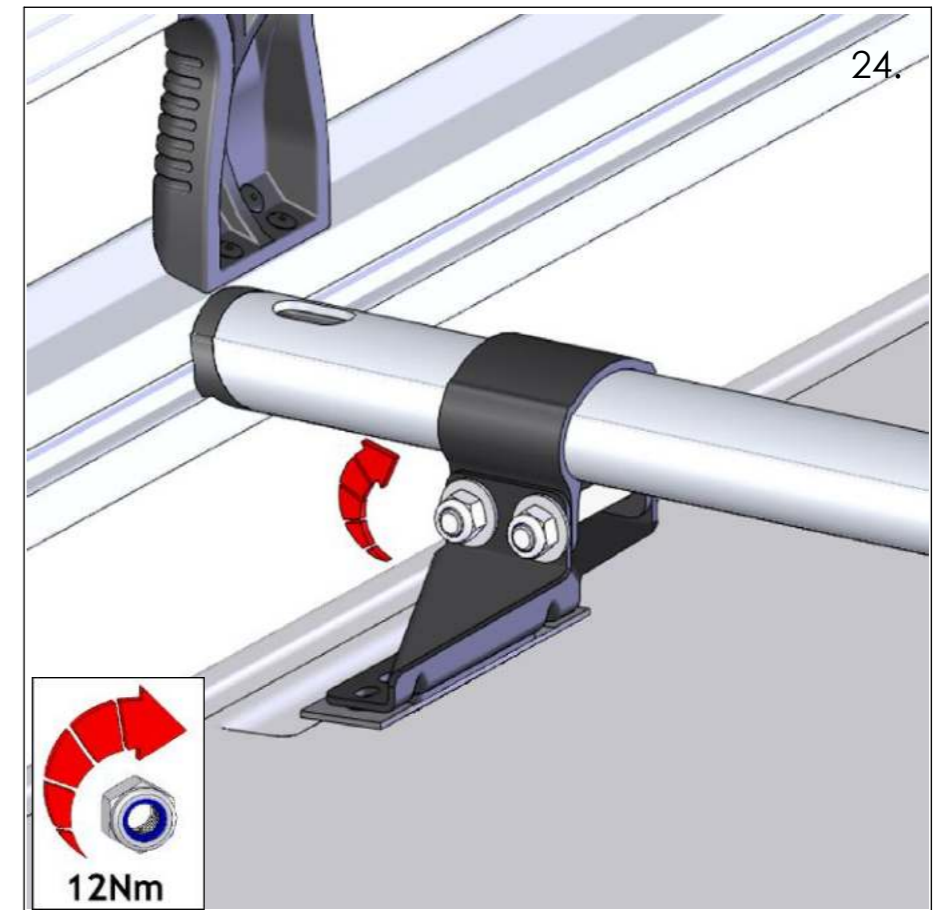
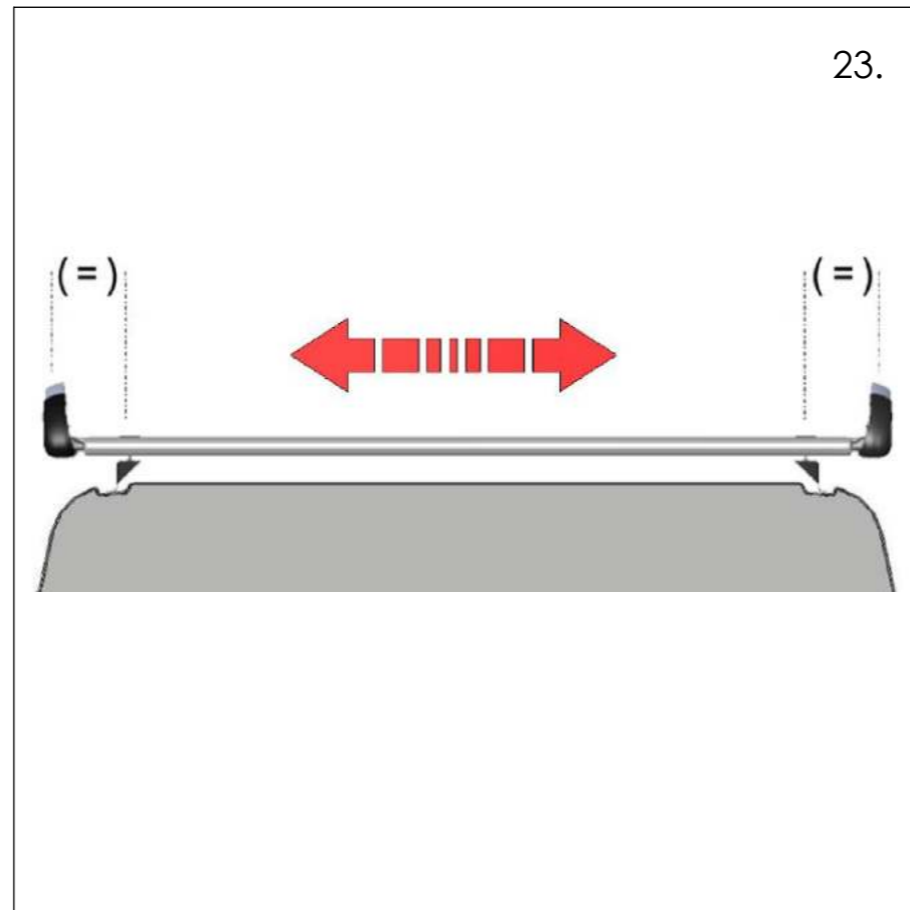
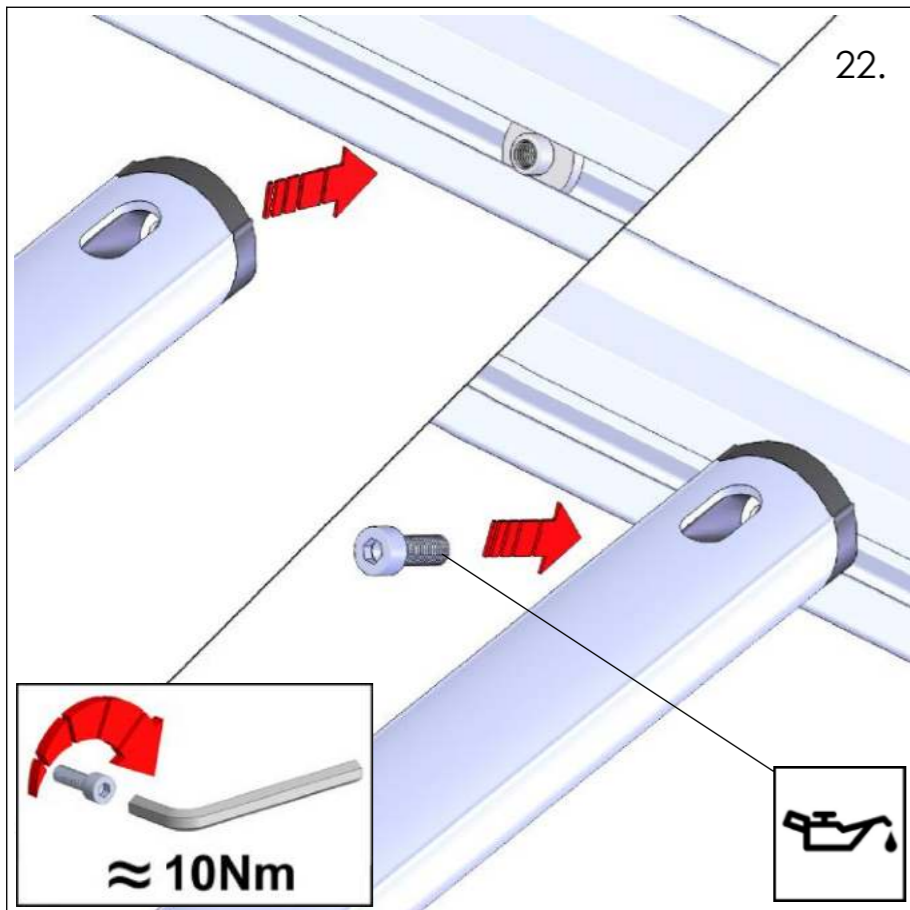
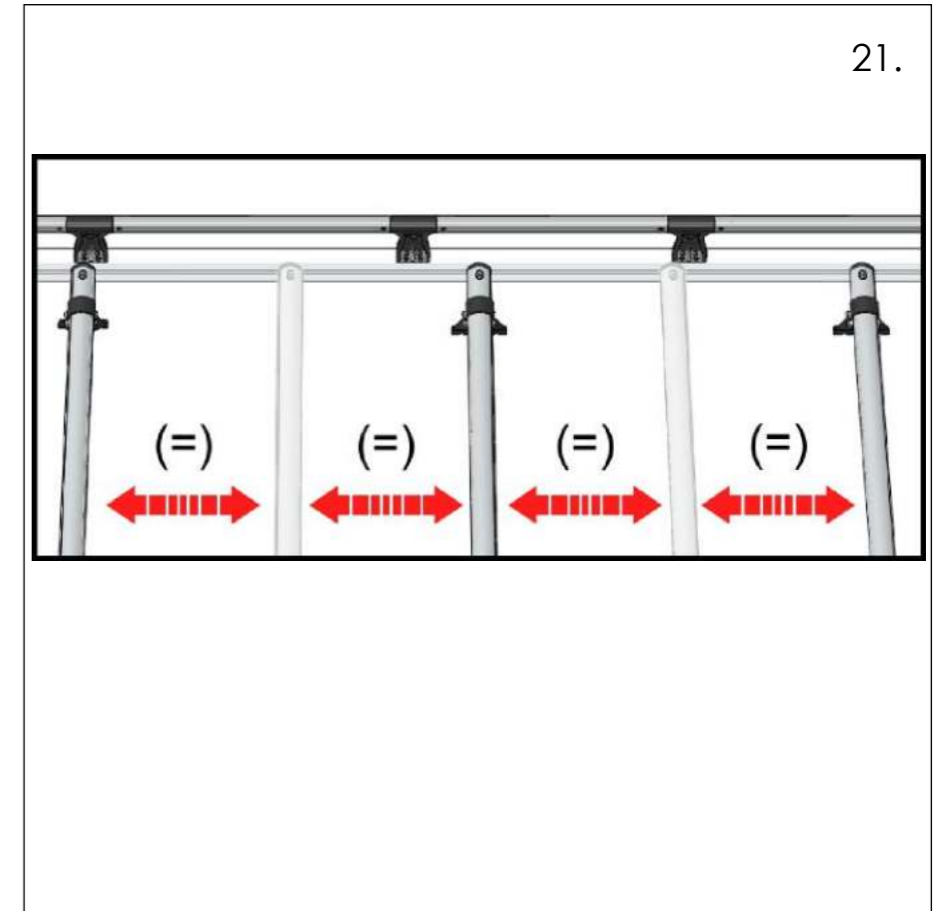
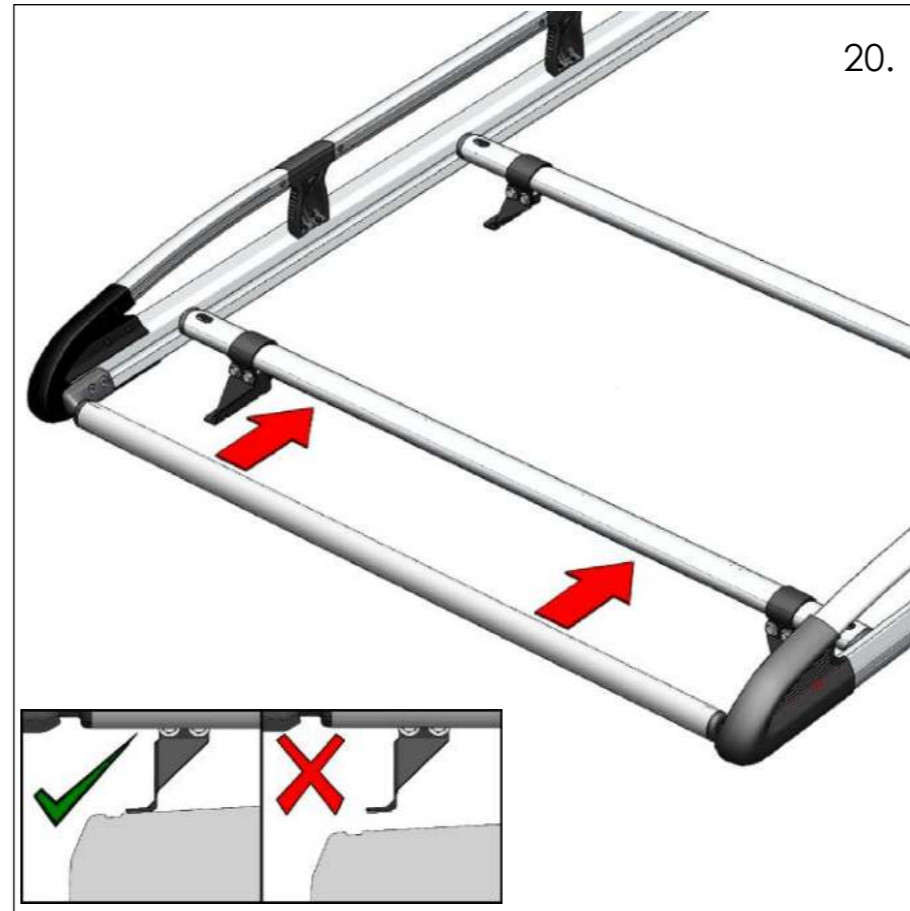
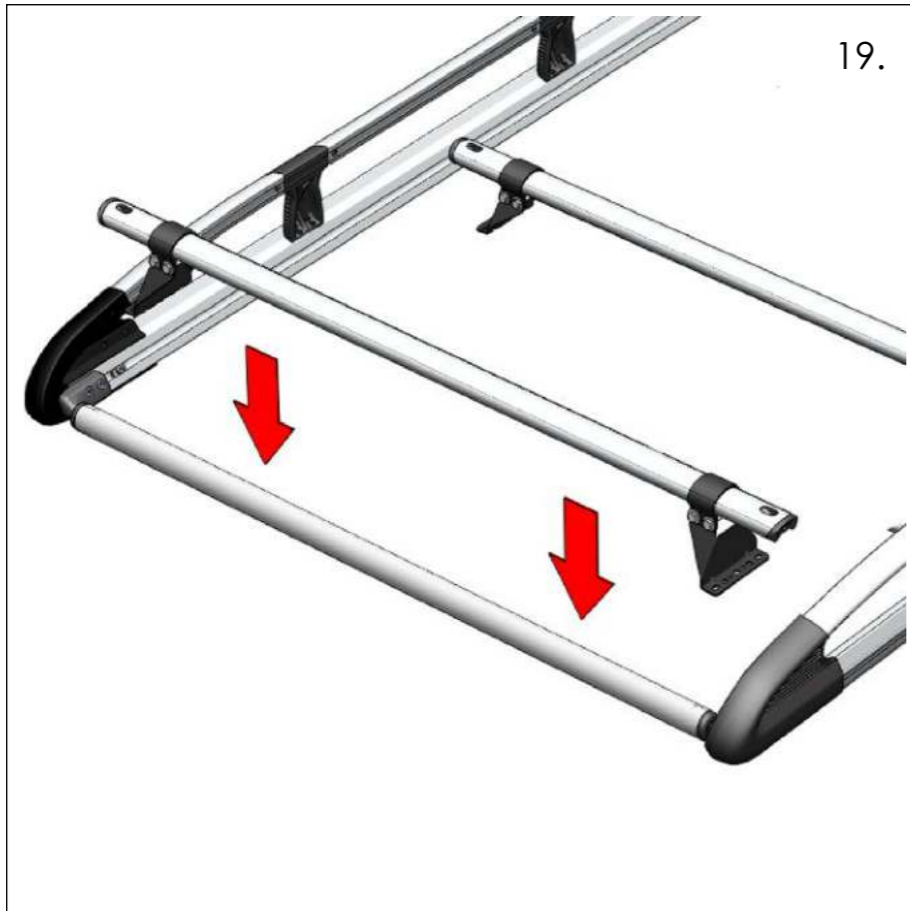


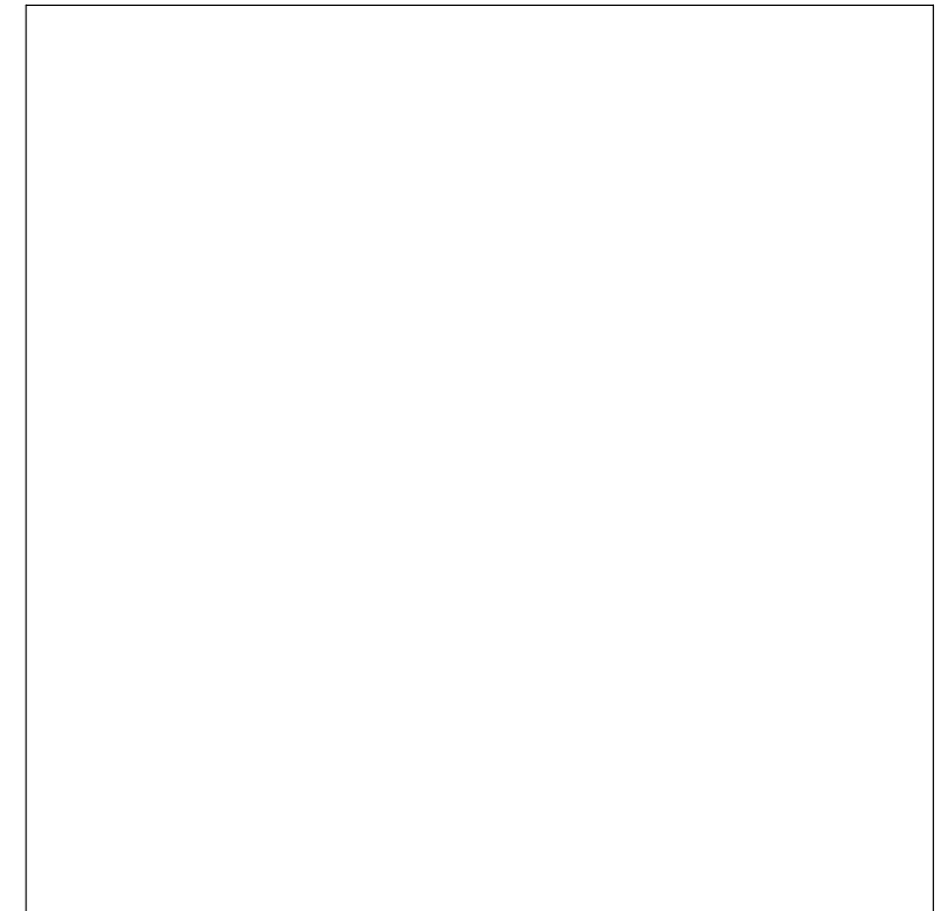
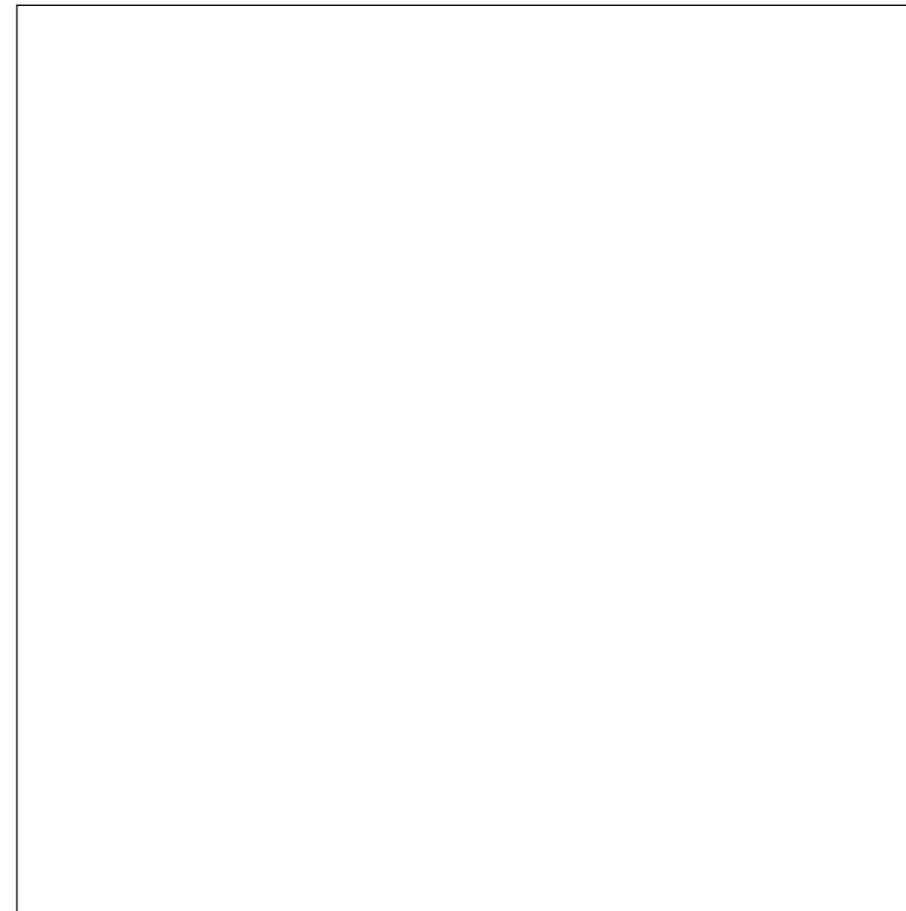
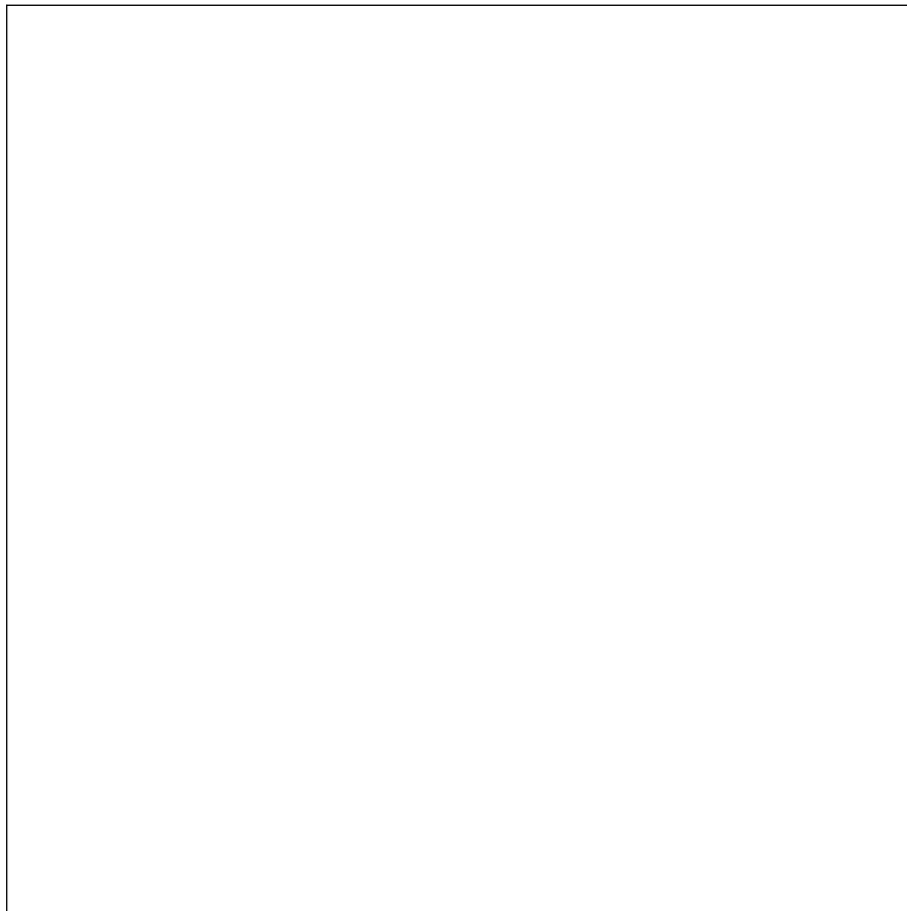
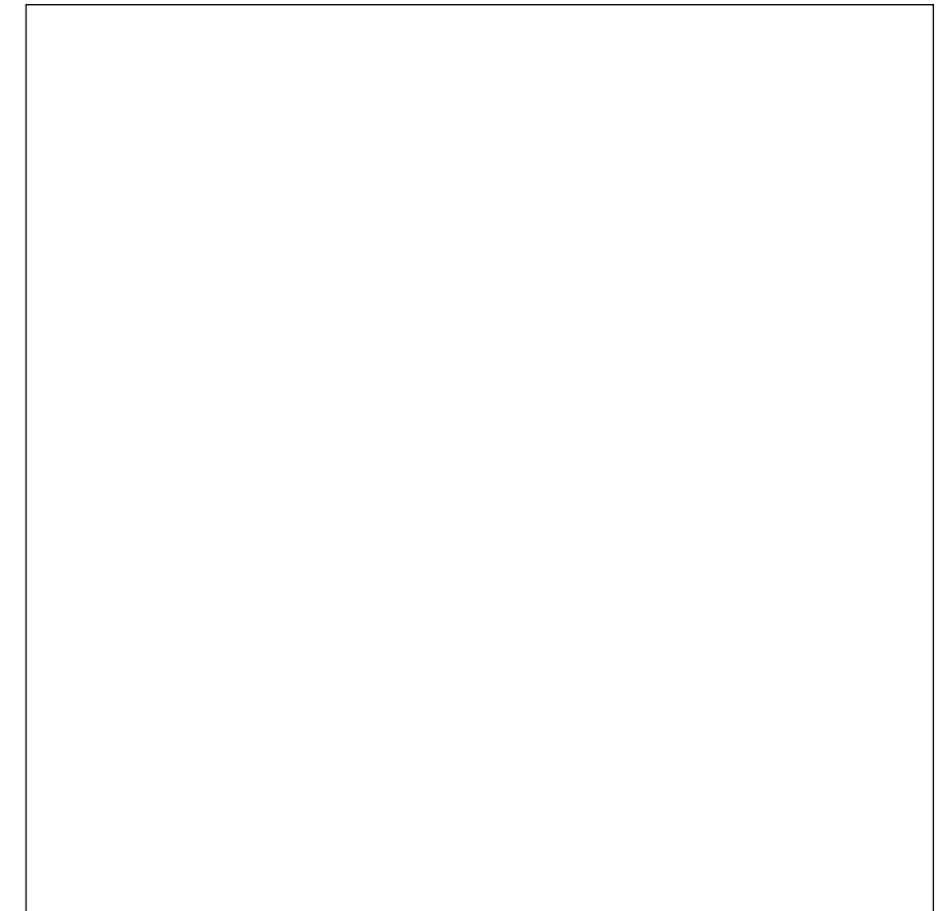
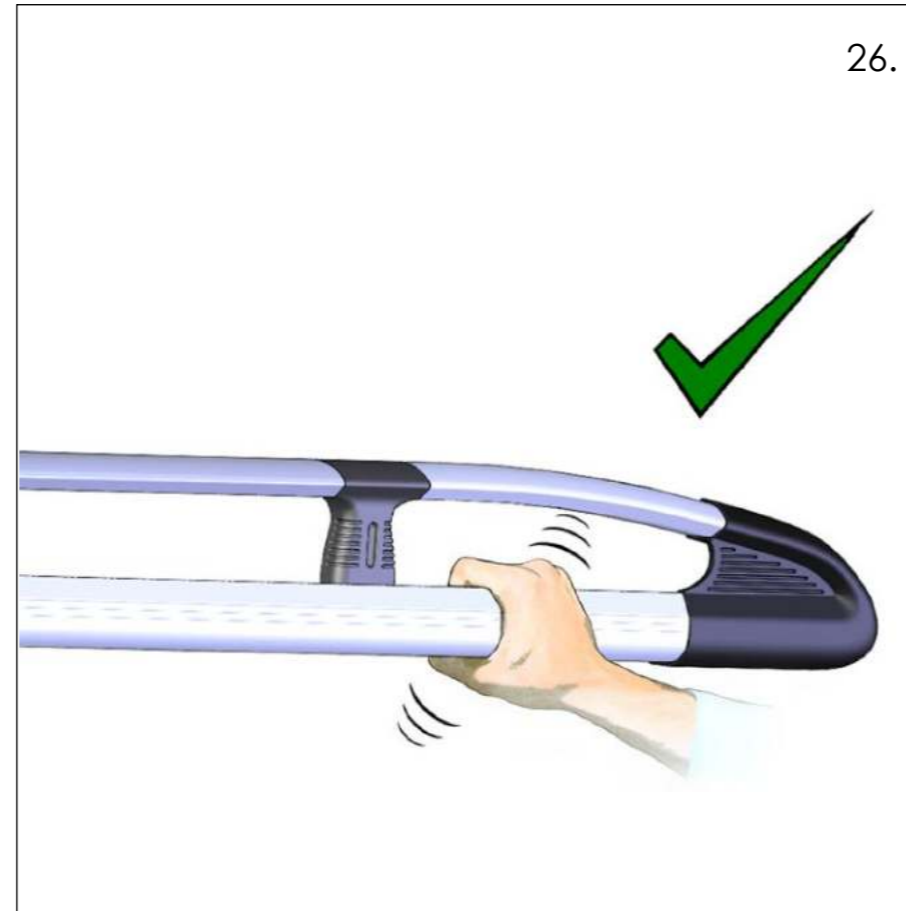
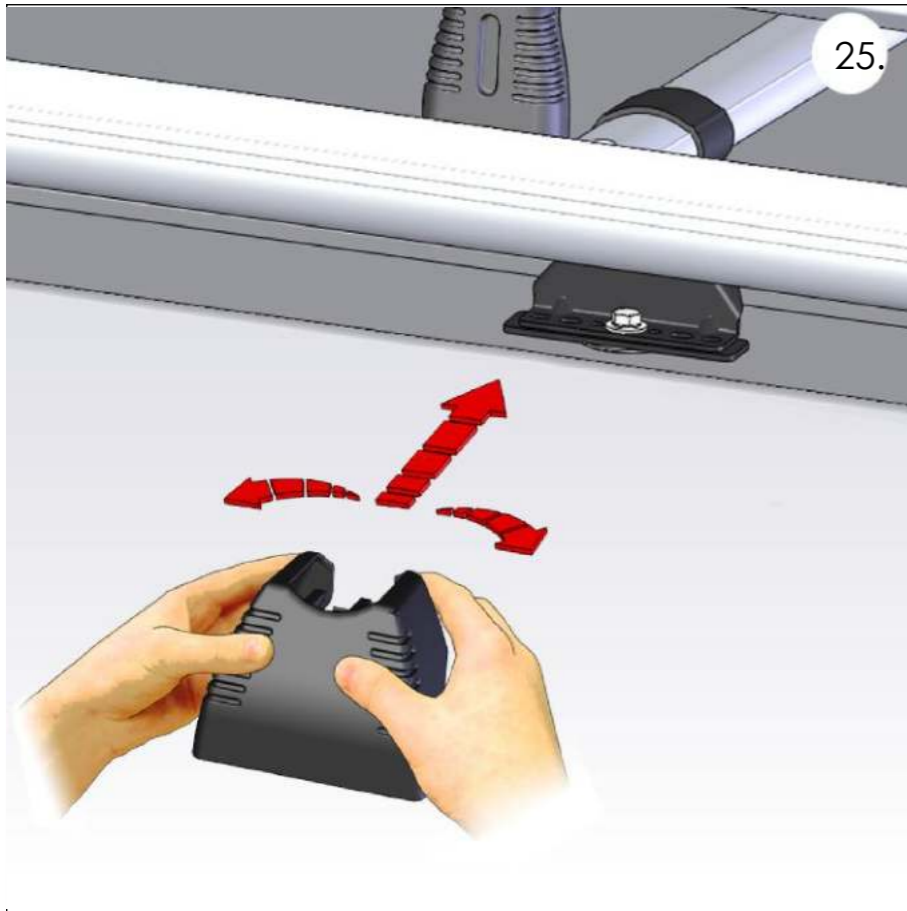




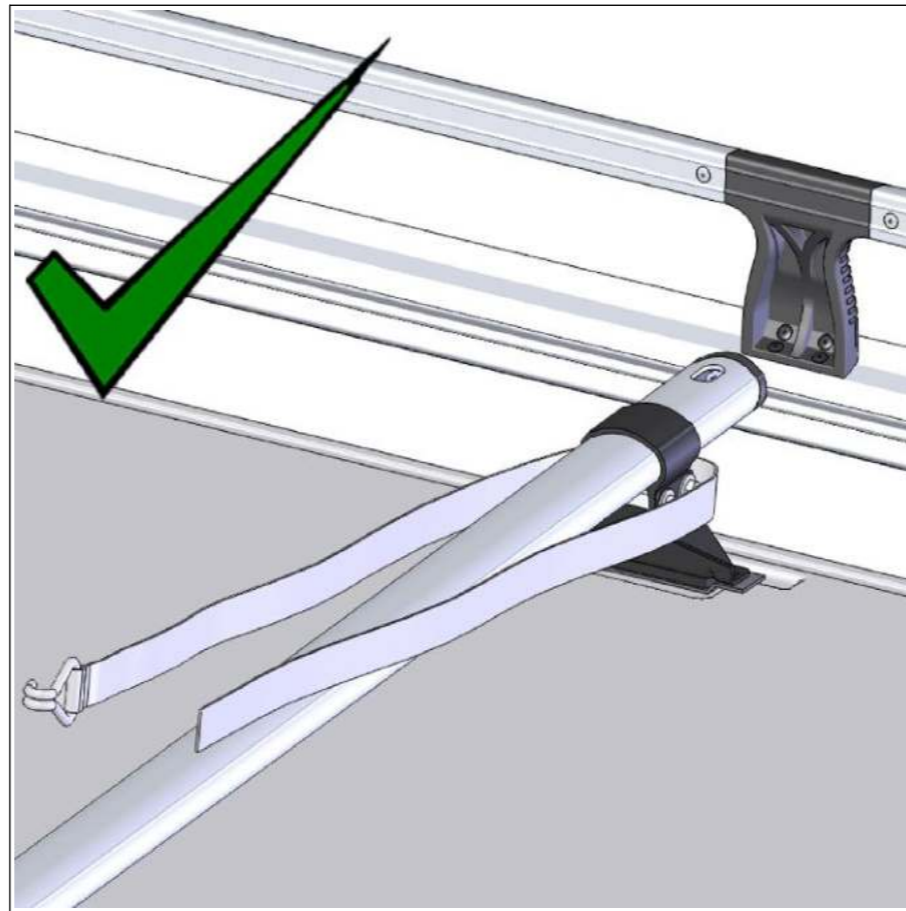
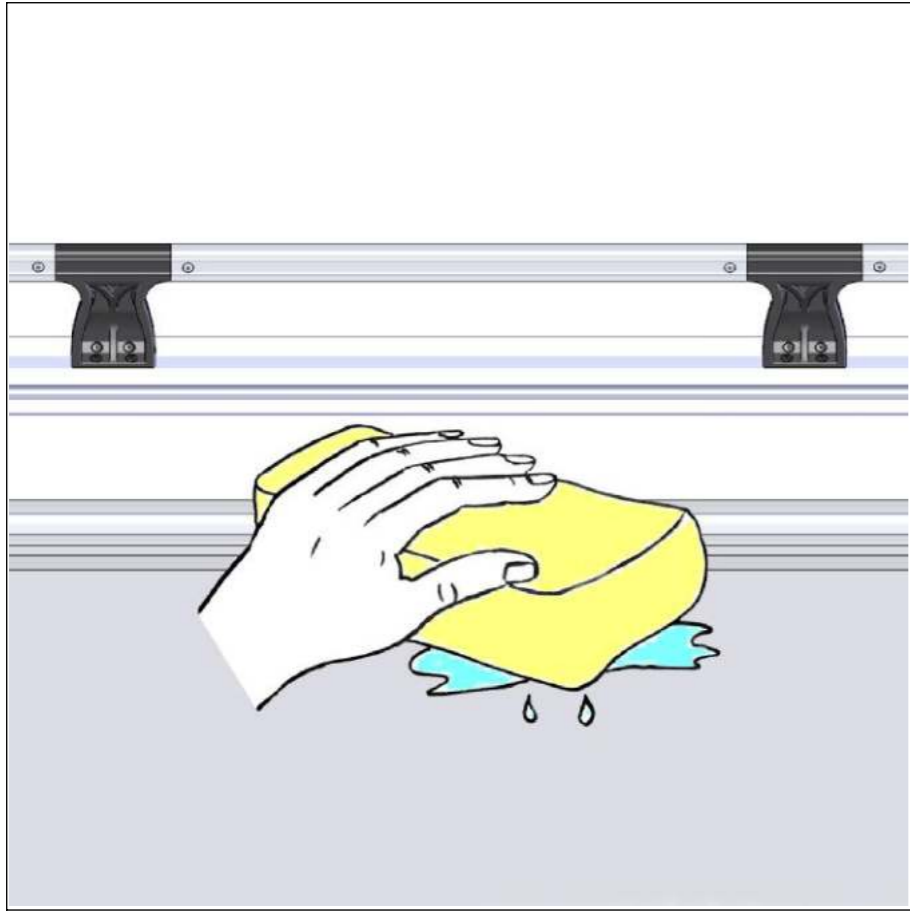



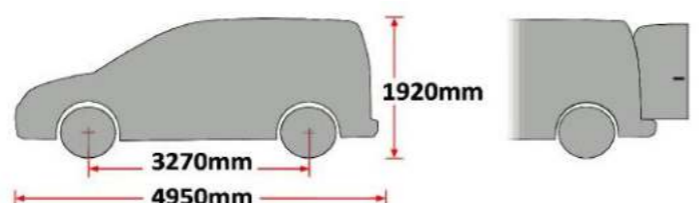
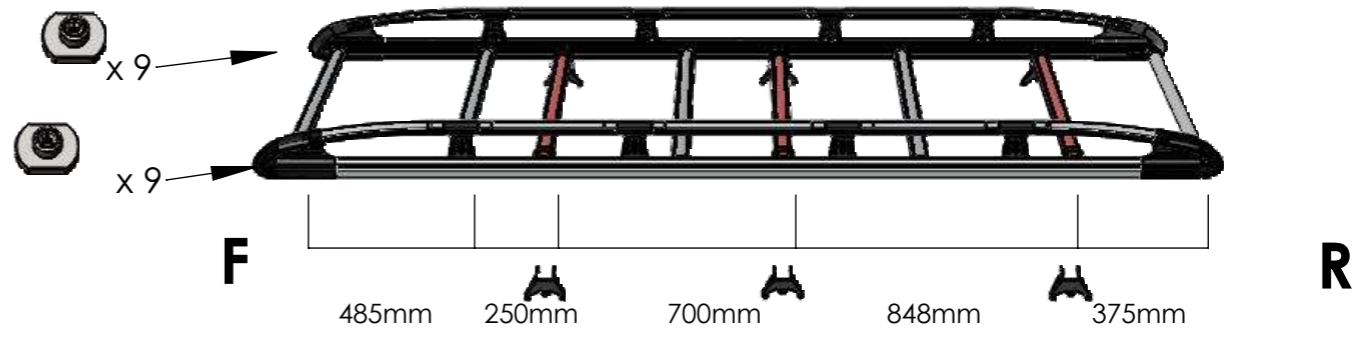


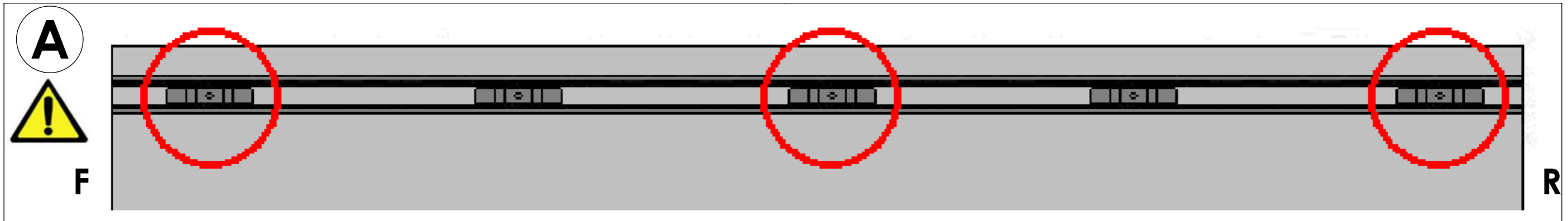



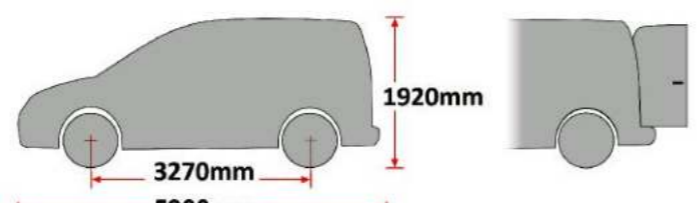
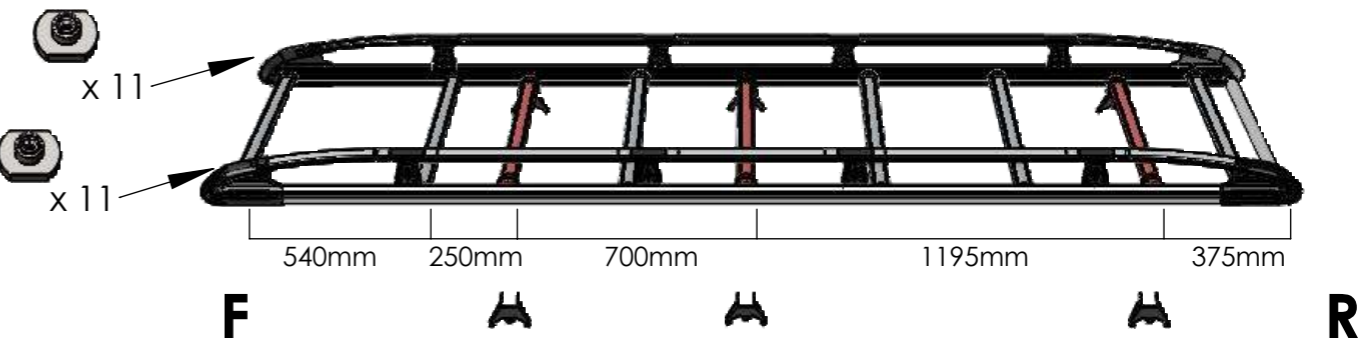


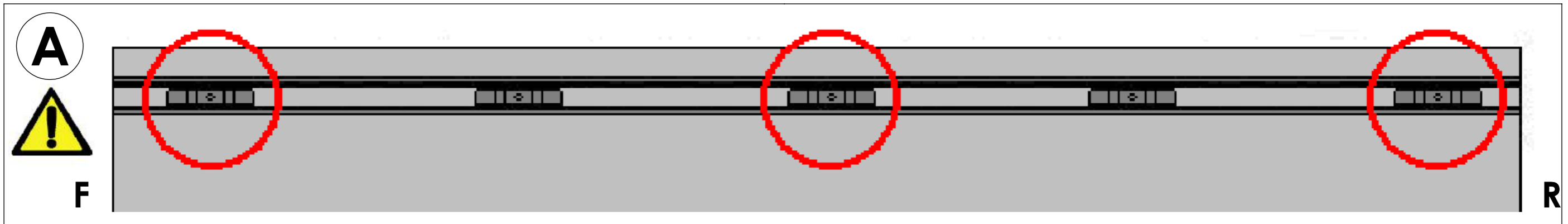




<h1>A661</h1> 	<p><b>JUMPY/DISPATCH/PROACE/EXPERT 2016-</b></p> <p><b>L2, H1, TWIN DOORS</b></p> 	
---	--	---




<h1>A663</h1> 	<p><b>JUMPY/DISPATCH/PROACE/EXPERT 2016-</b></p> <p><b>L3, H1, TWIN DOOR</b></p> 	
---	---	---





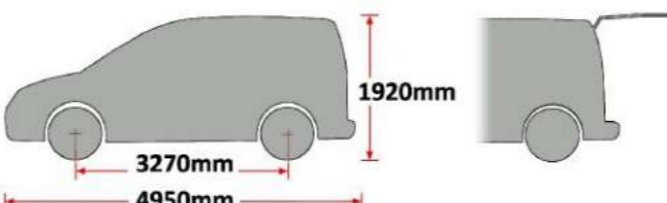
# A662

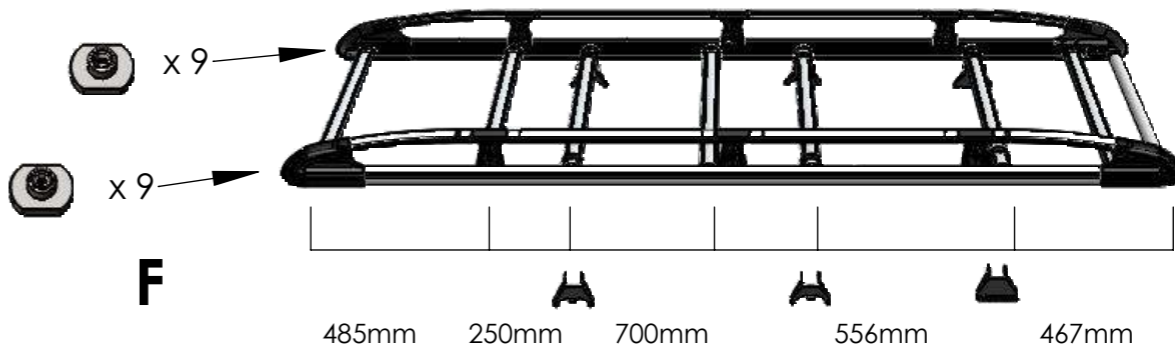


30kg + xx kg = Max. 150kg

**JUMPY/DISPATCH/PROACE/EXPERT  
2016-**


**L2, H1, TAILGATE**

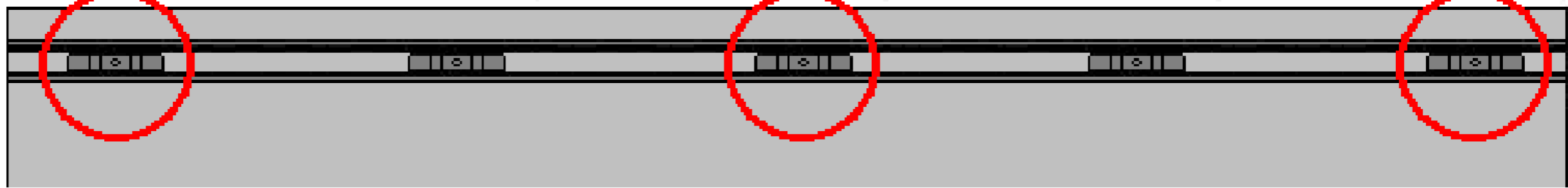




**F** **R**

**A**




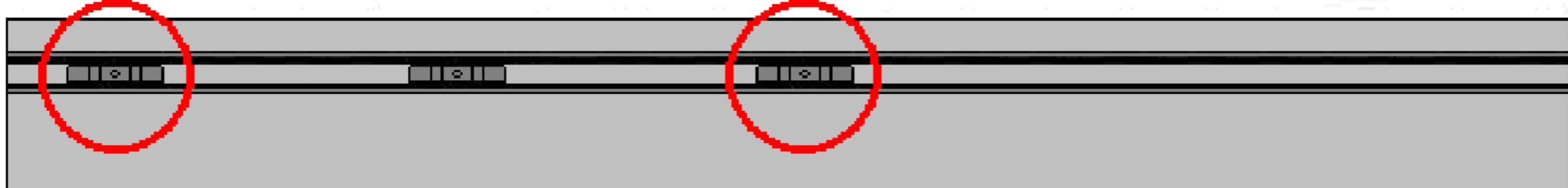


**R**

**F**


**B**





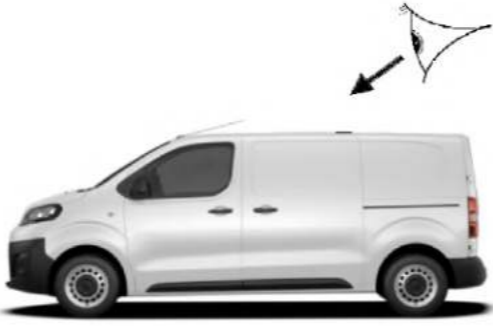
**R**


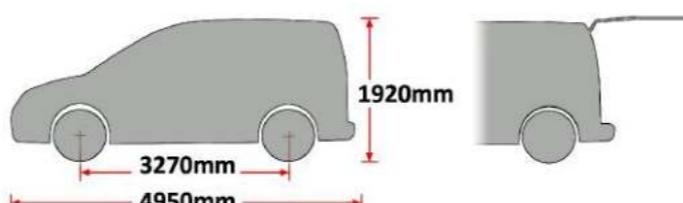
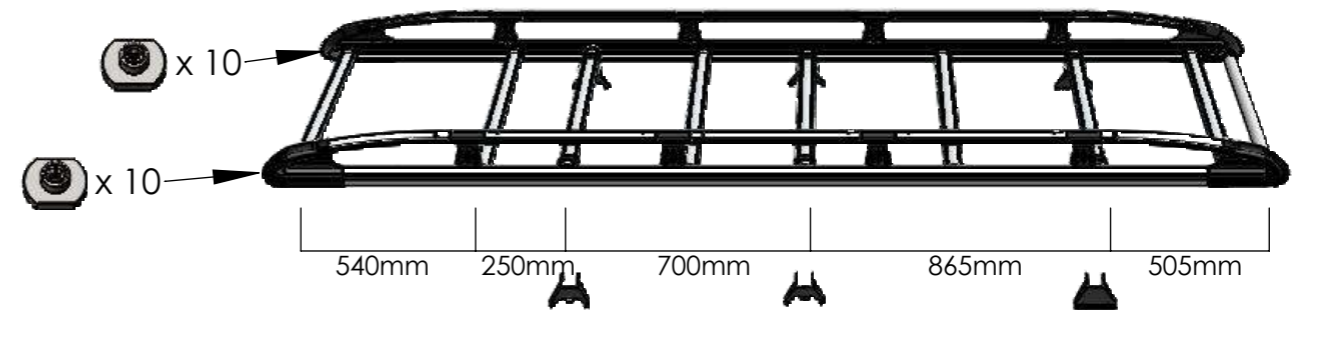
**F**

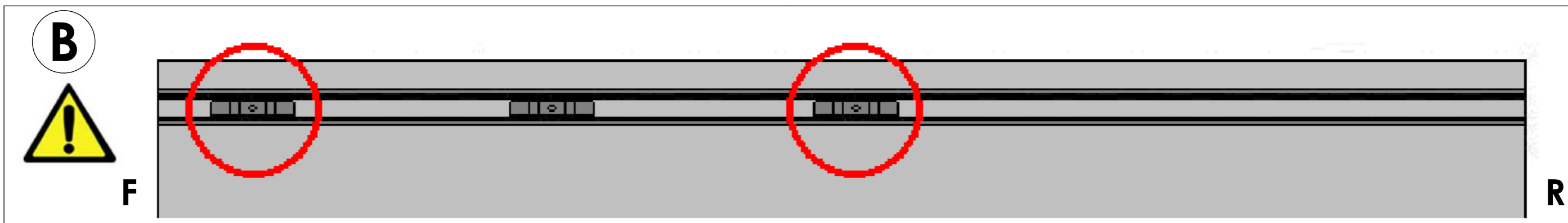
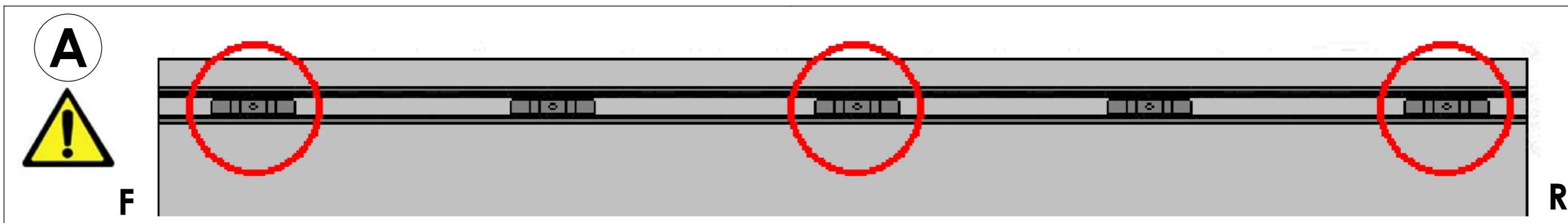



**A** PAGE 5/14

**B** PAGE 9/14



<p><b>A664</b></p>  <p>30kg + xx kg = Max. 150kg</p>	<p><b>JUMPY/DISPATCH/PROACE/EXPERT 2016- L3, H1, TAILGATE</b></p>  <p>3270mm 4950mm 1920mm</p>	 <p>x 10 x 10</p> <p>540mm 250mm 700mm 865mm 505mm</p>
---	--	---

**A** PAGE 5/14

**B** PAGE 9/14

