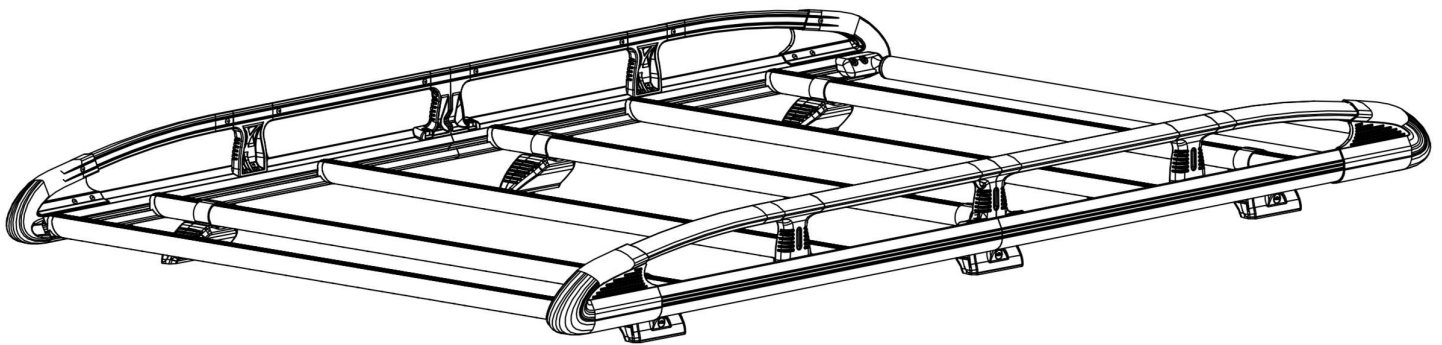


WD3KR

KammRack

Instructions



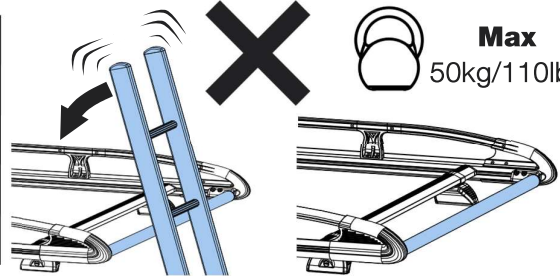
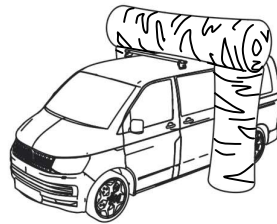
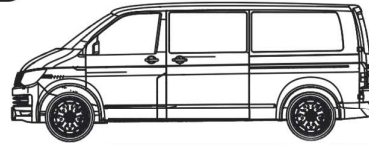
CITY CRASH (✓)

According to ISO/ PAS 11154:2006

WD3KR:

Fiat Doblo 2010-

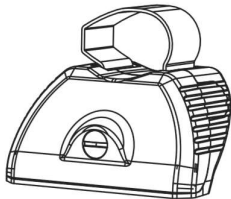
Vauxhall Combo 2012 - 2018



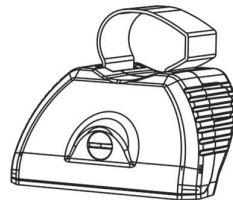
Max

50kg/110lbs

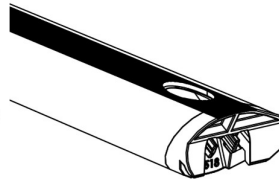
KammRack



SA397U x 3



SA398U x 3

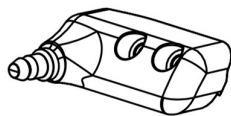


SA429

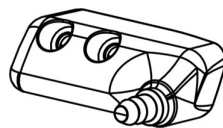


C04 x 6

optional upgrade



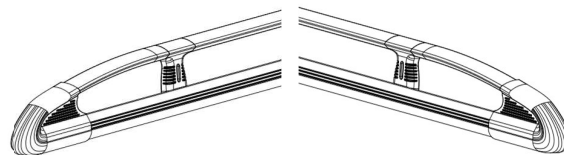
PS519 x 1



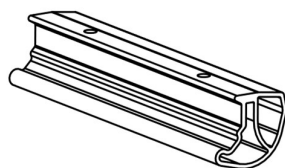
PS520 x 1

LHS x 2

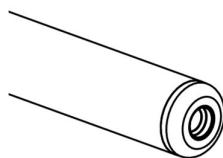
RHS x 2



ASF x 1

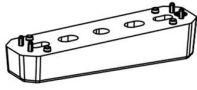


EXT15-02 x 2

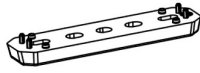


SA437 x 1

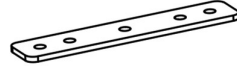
Fitting Kit



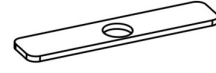
PS176 x 4



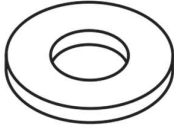
PS178 x 2



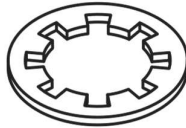
PS030 x 4



PS031 x 4



FW001 (M6) x 10



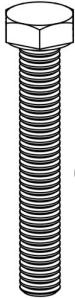
FW008 (M6) x 10



FT01 x 1



**FS042
(M6 x 40) x 4**



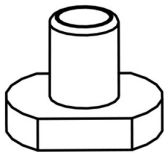
**FB007
(M6 x 45) x 4**



**FS039
(M6 x 30) x 2**



**FS038
(M6 x 25) x 2**



FN085 x 16

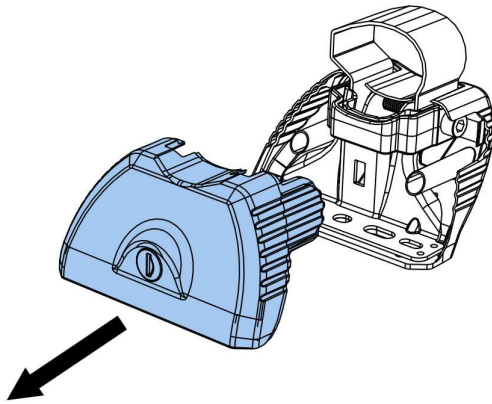


FS059
(M8 x 25) x 16

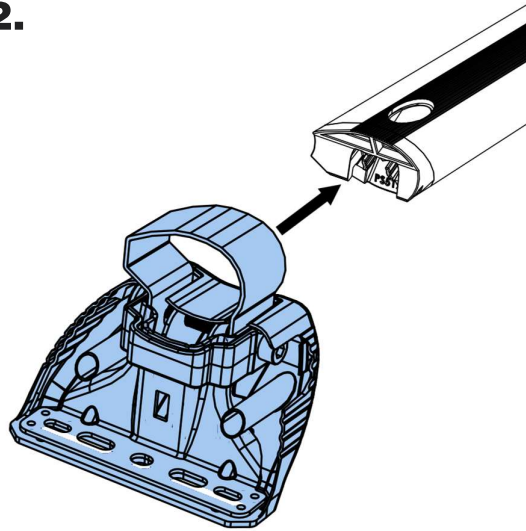


FT05 x 1

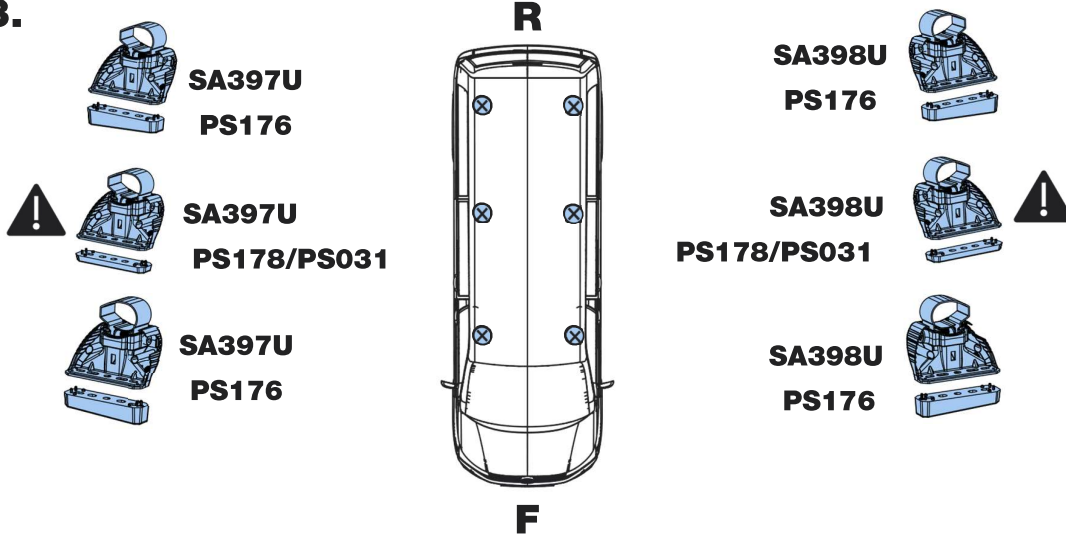
1.



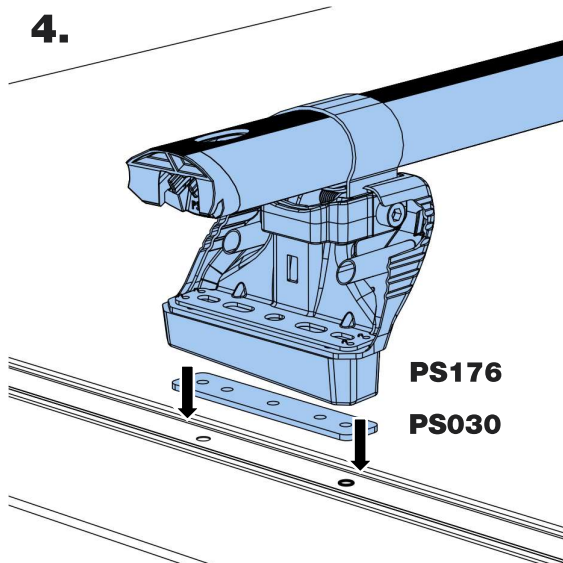
2.



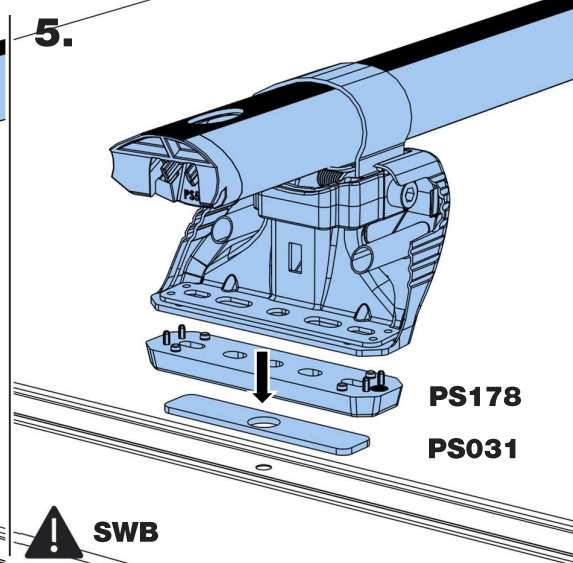
3.

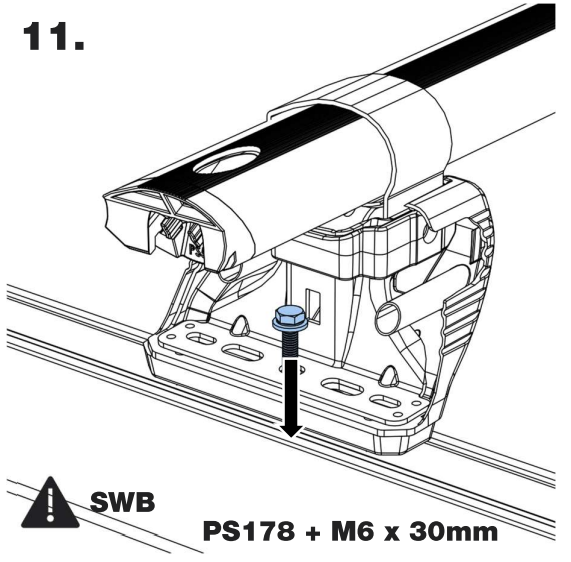
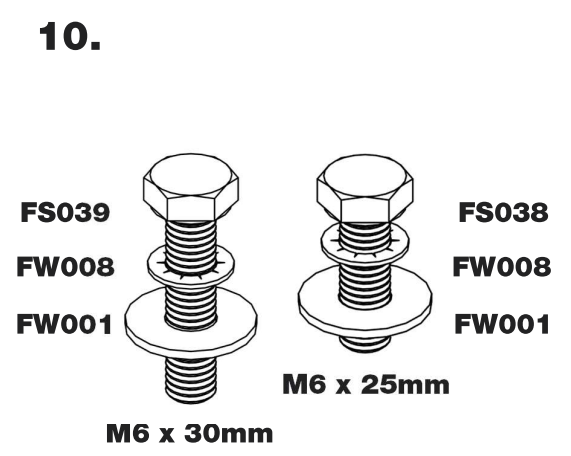
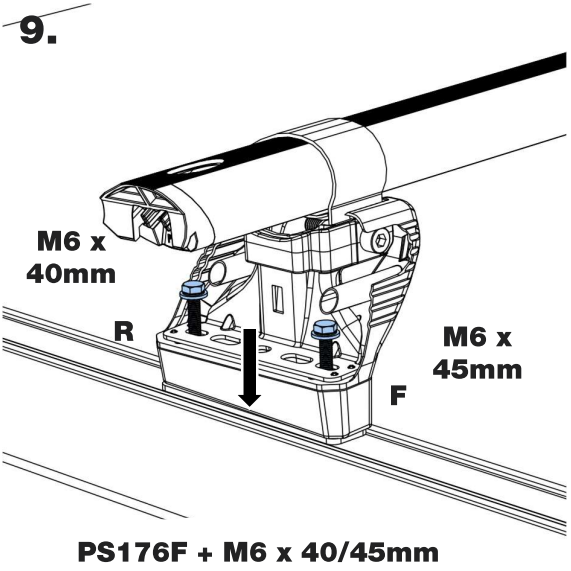
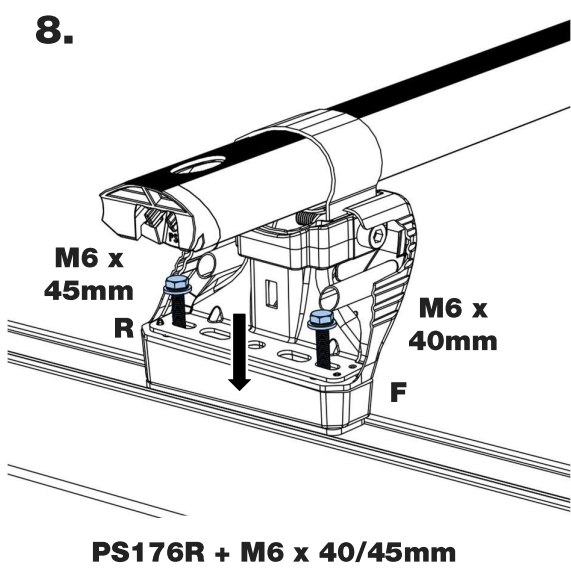
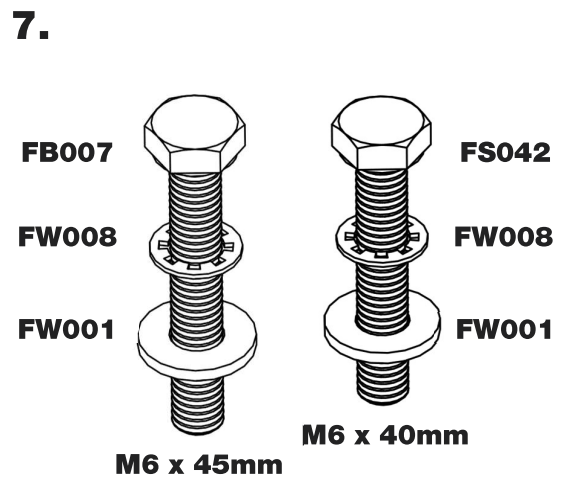
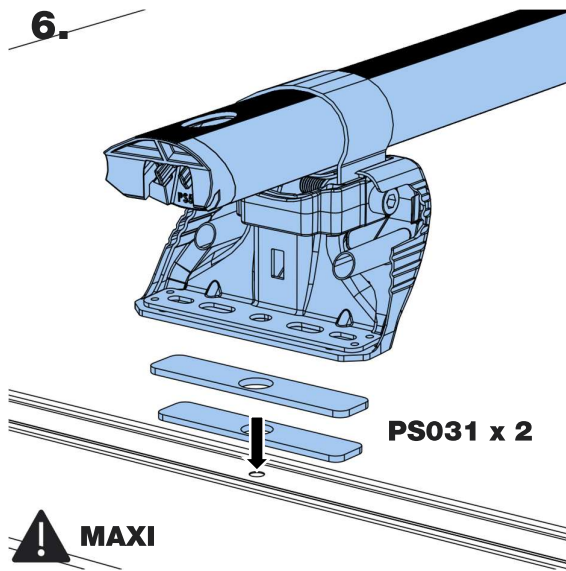


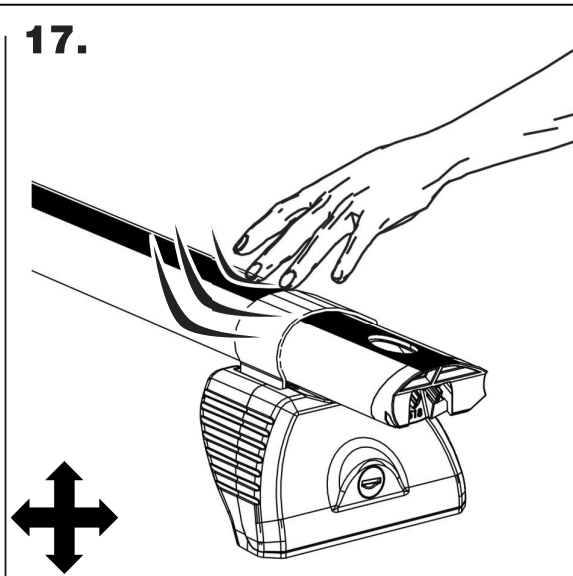
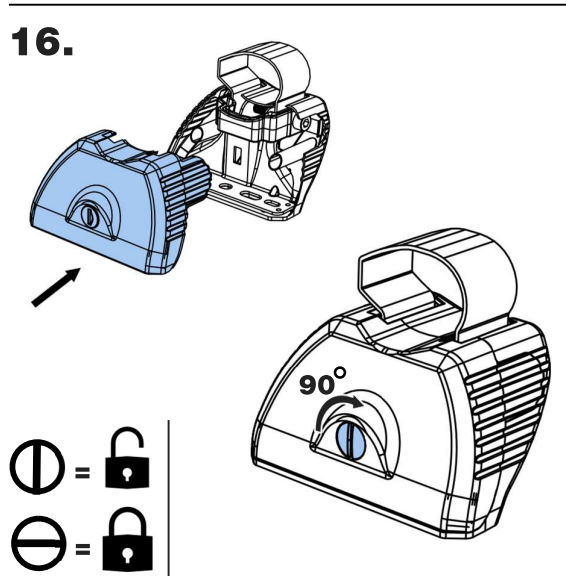
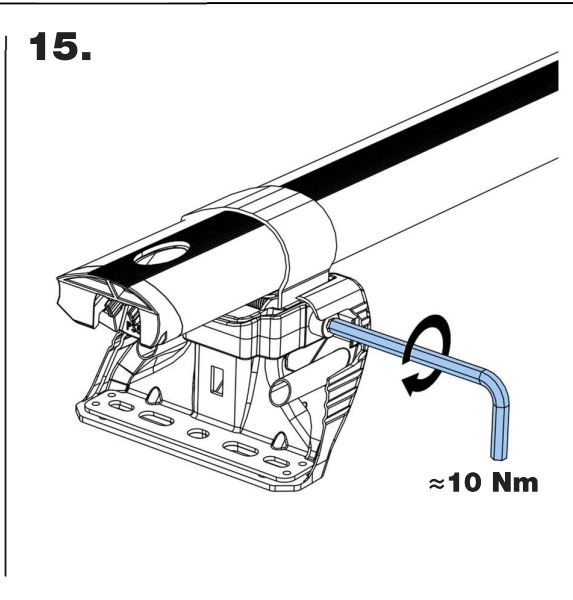
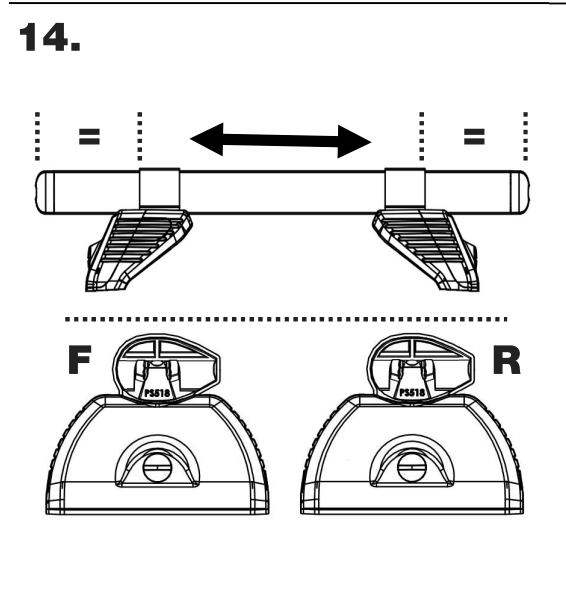
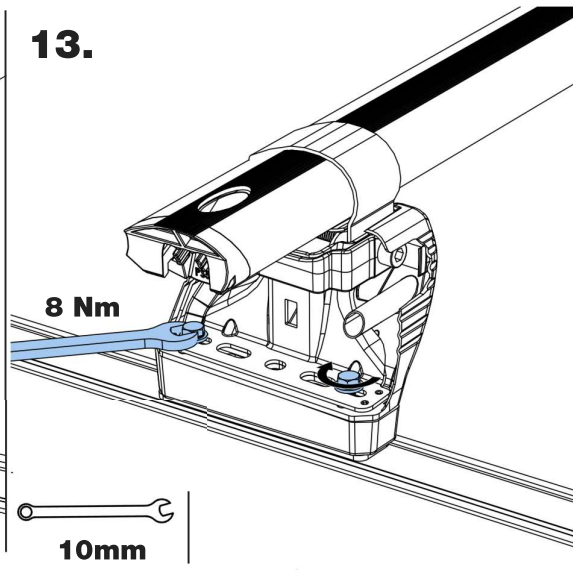
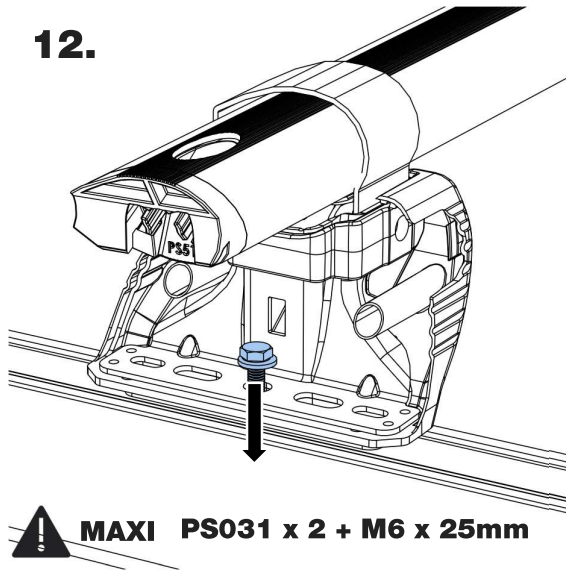
4.



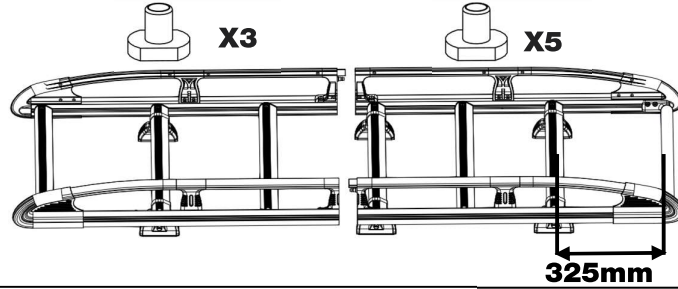
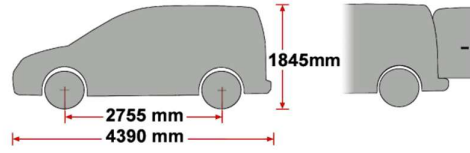
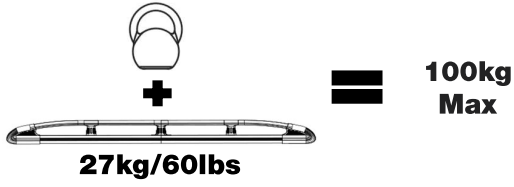
5.



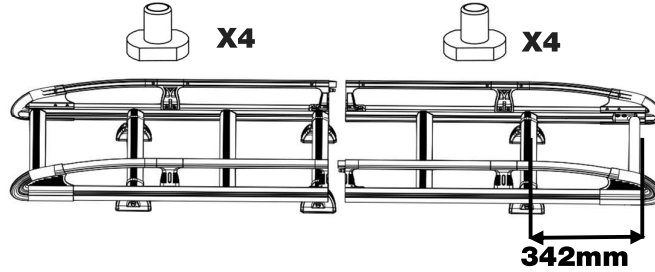
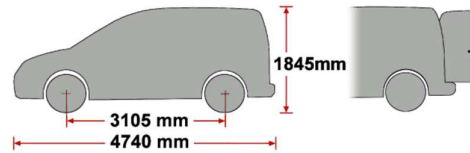
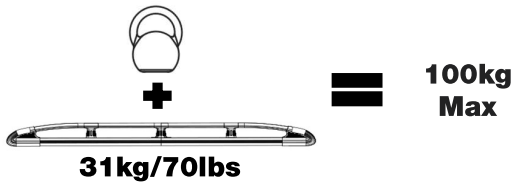




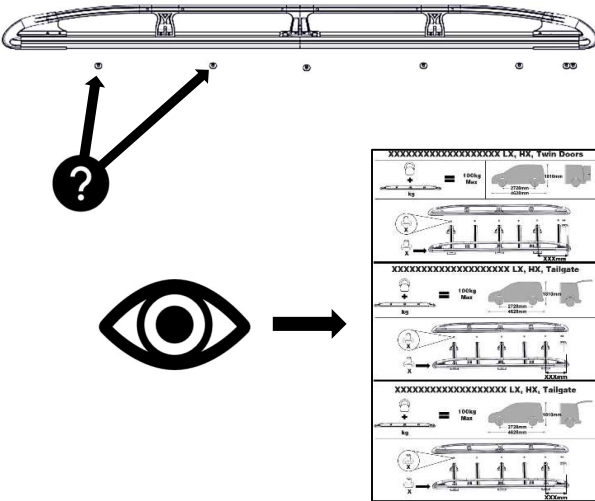
K602- Combo/Doblo 2010- L1, Twin Doors



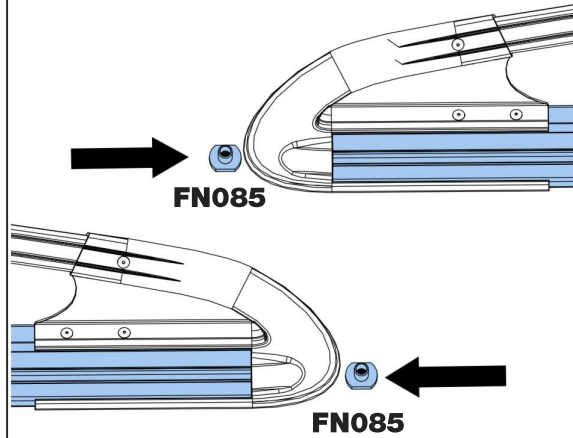
K603- Combo/Doblo 2011- Maxi, Twin Doors



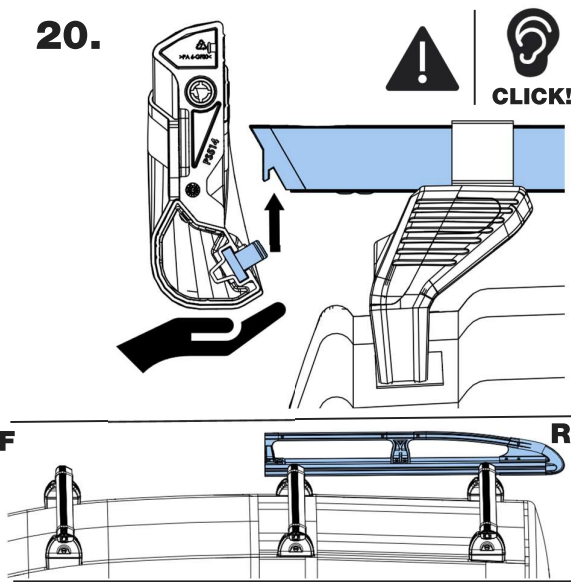
18.



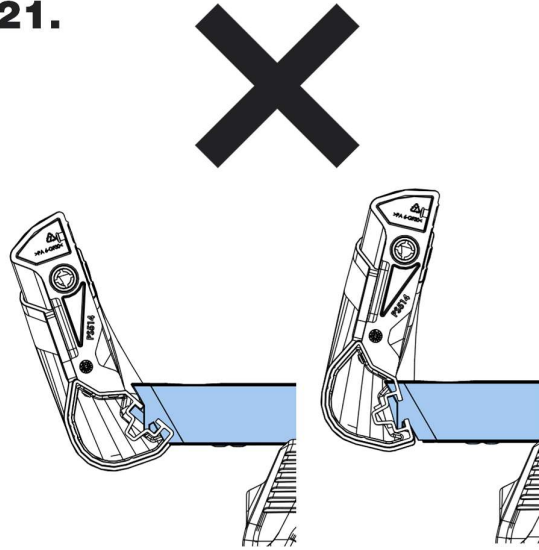
19.



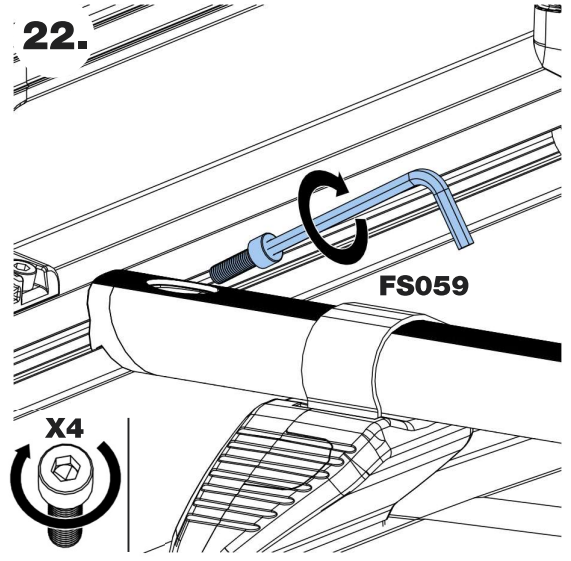
20.



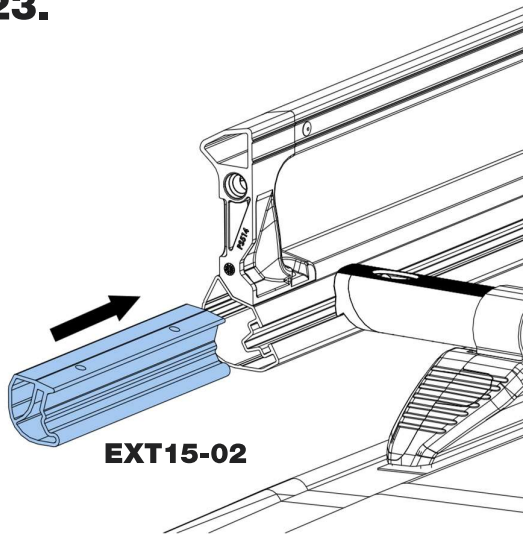
21.



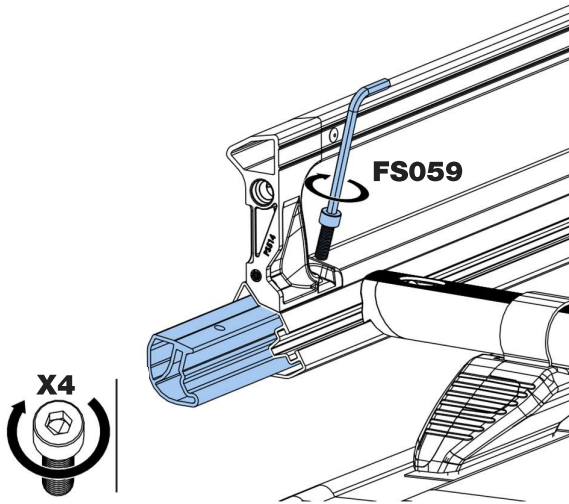
22.



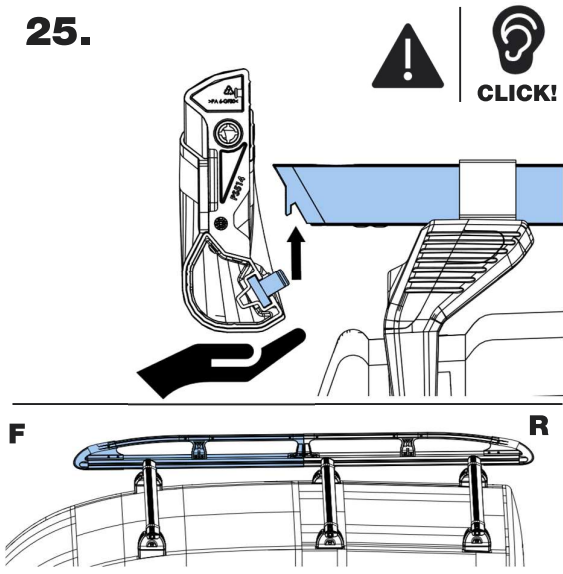
23.



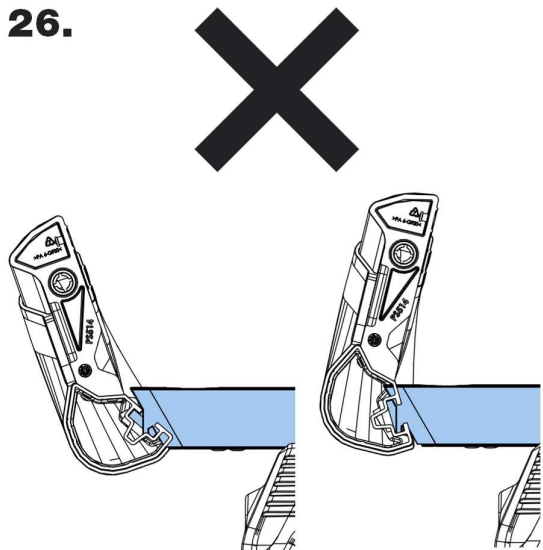
24.



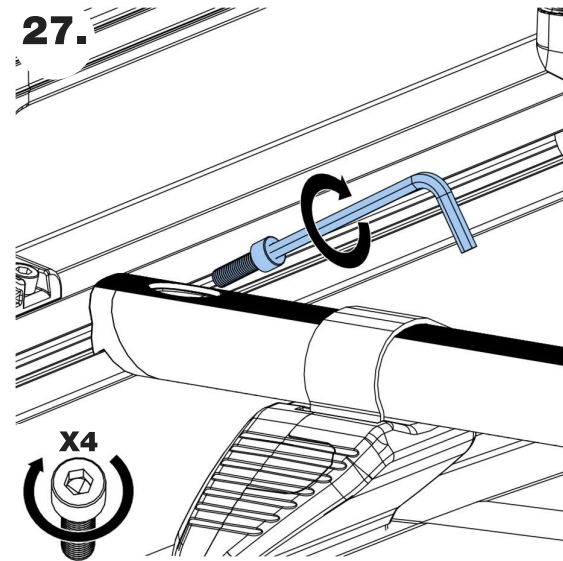
25.



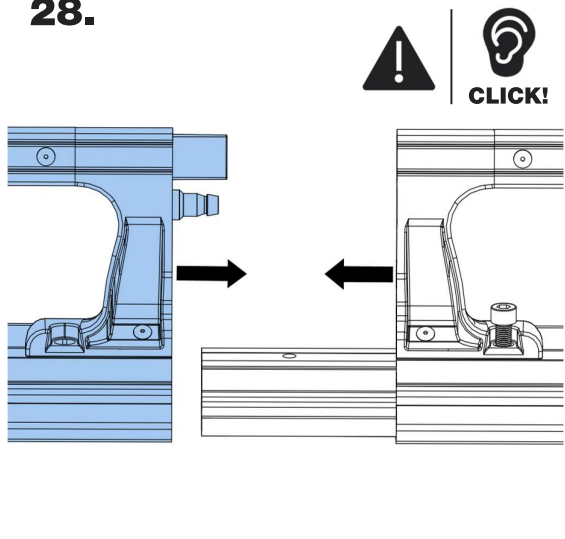
26.



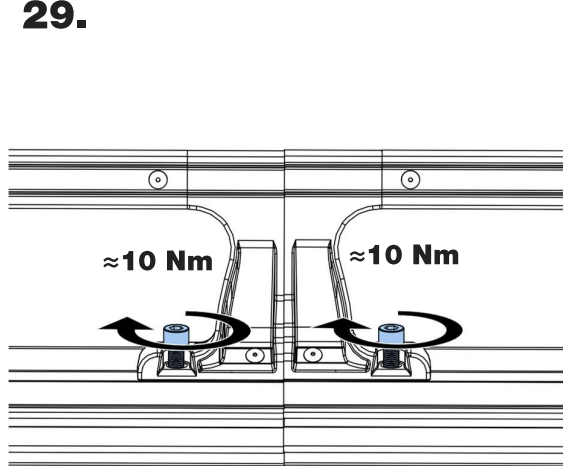
27.



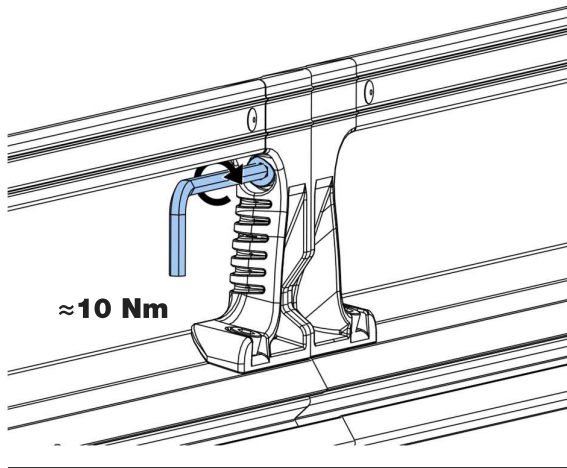
28.



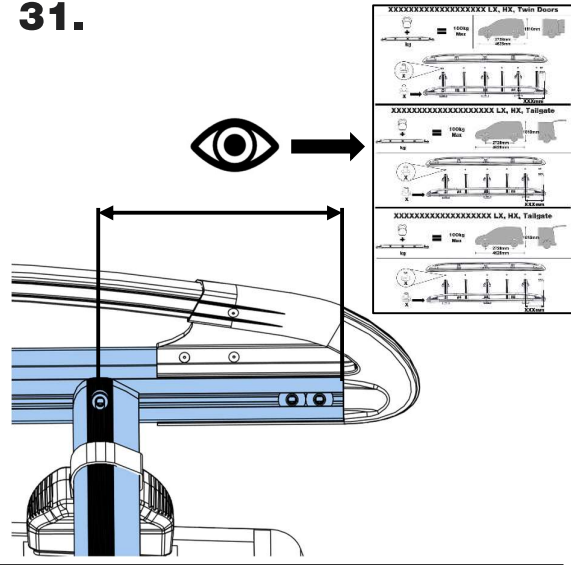
29.



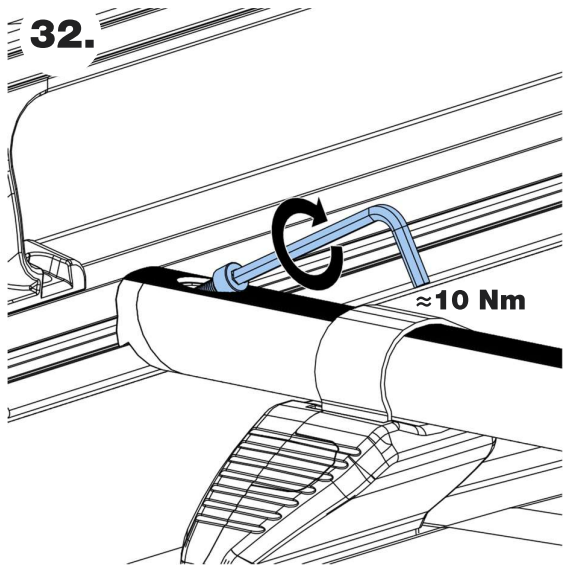
30.



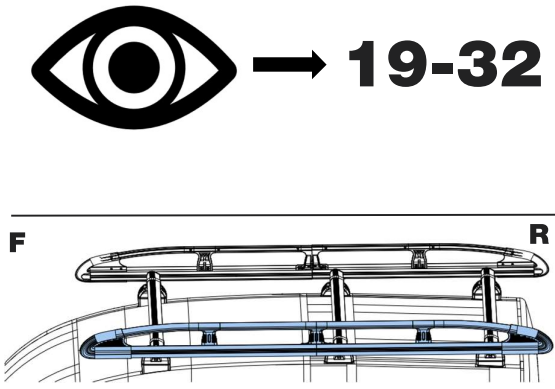
31.



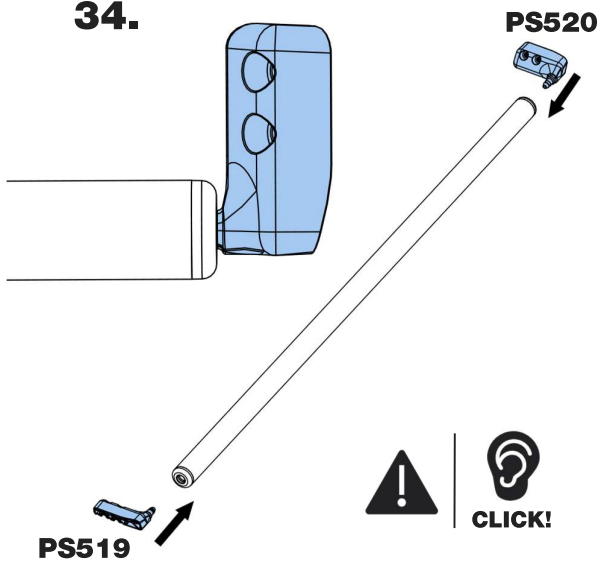
32.



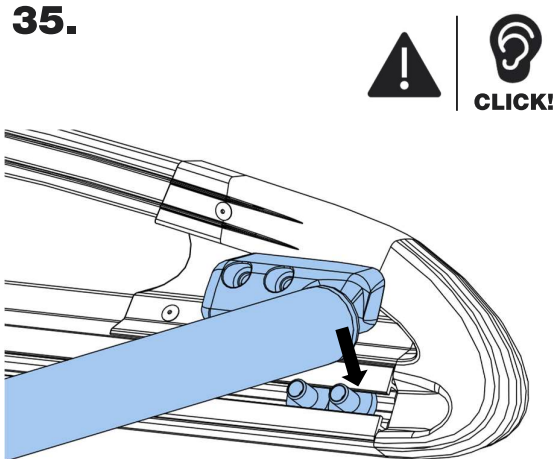
33.



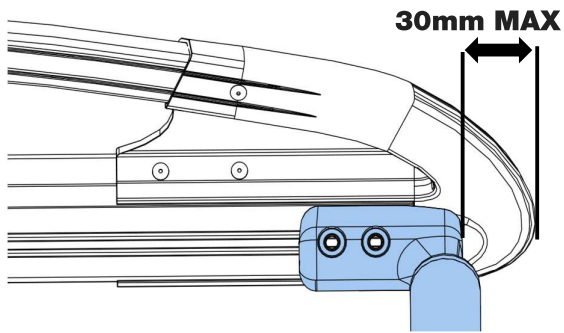
34.



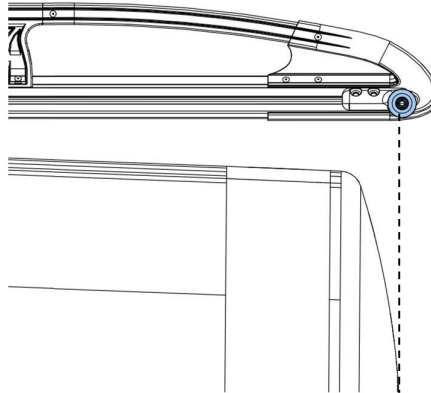
35.



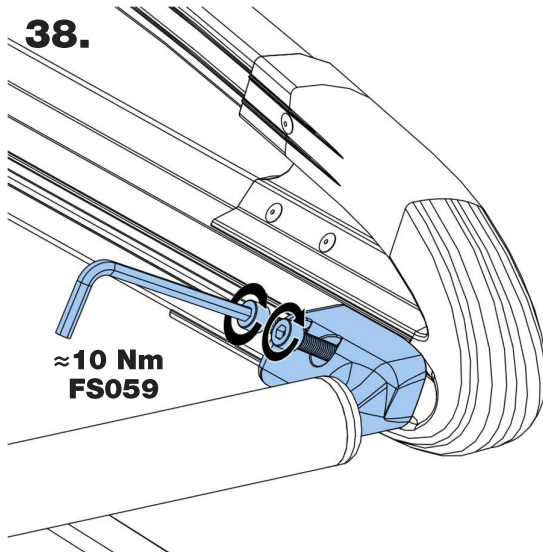
36.



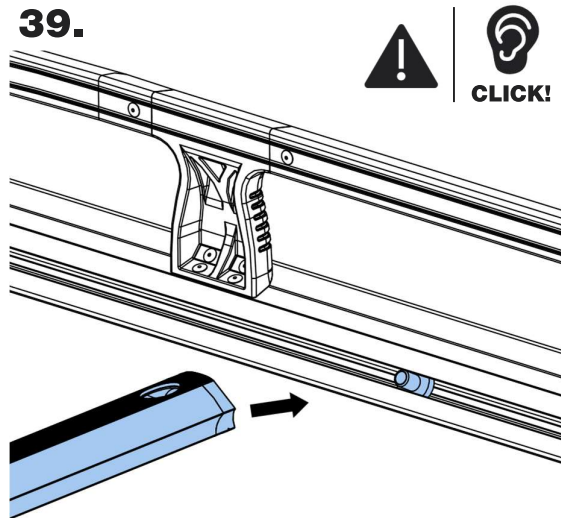
37.



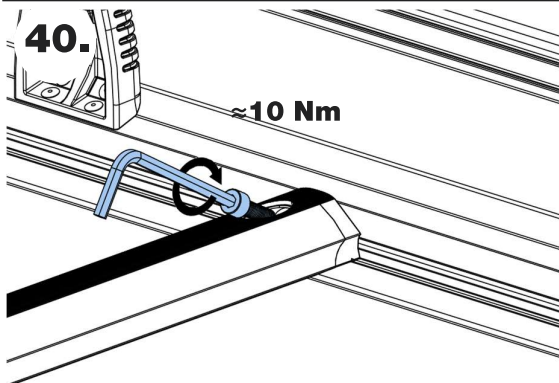
38.



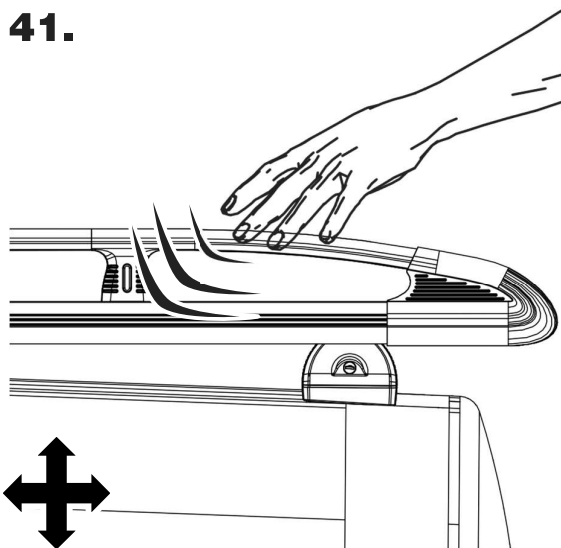
39.



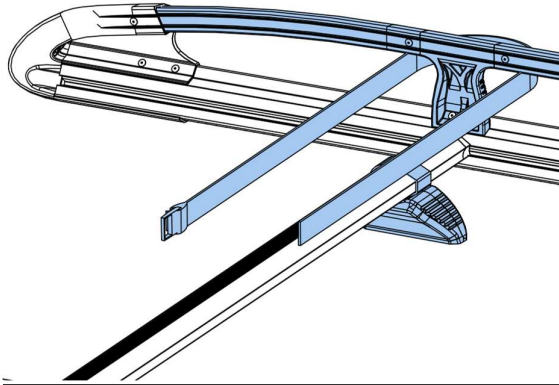
40.



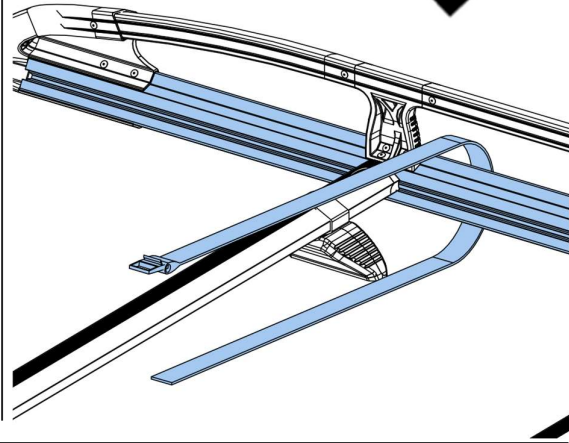
41.



42.



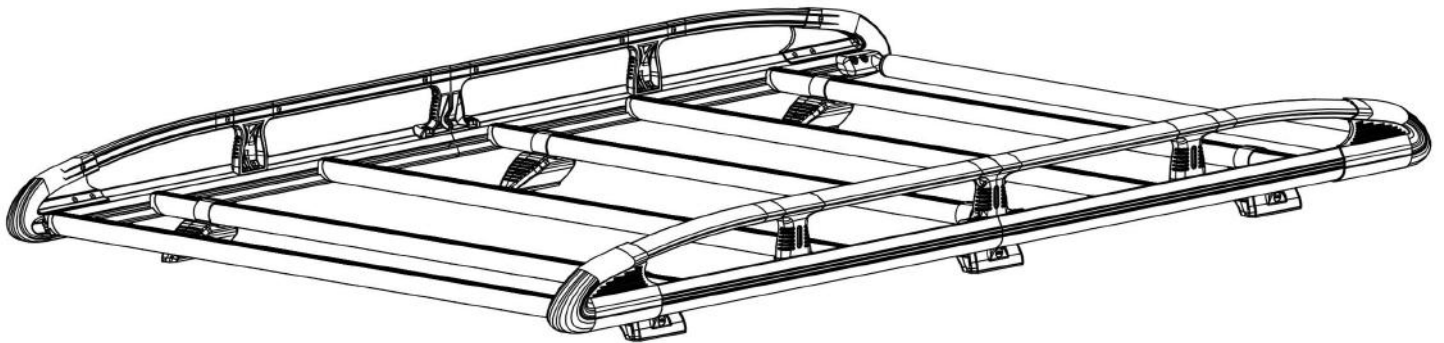
43.



GB3KR

KammRack

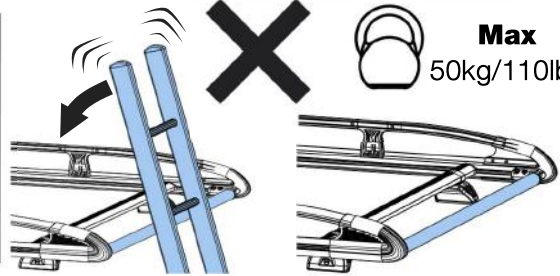
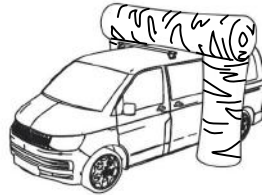
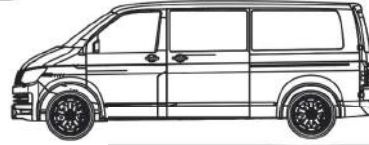
Instructions



CITY CRASH (✓)
According to ISO/ PAS 11154:2006

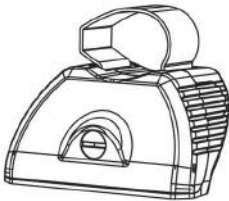
GB3KR:

CITROEN Berlingo, 2018 – Onwards
PEUGEOT Partner, 2018 – Onwards
VAUXHALL Combo, 2018 – Onwards
TOYOTA ProAce City, 2020-Onwards

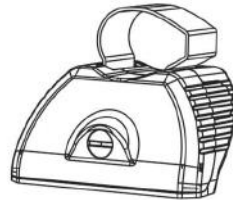


Max
50kg/110lbs

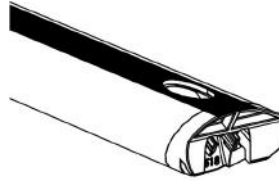
KammRack



SA397U x 3



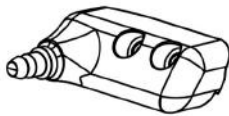
SA398U x 3



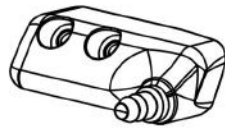
SA428



C04 x 8
optional upgrade



PS519 x 1



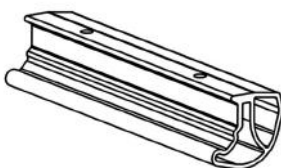
PS520 x 1

LHS x 2

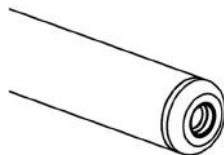
RHS x 2



ASF x 1

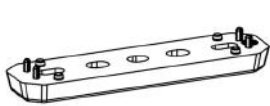


EXT15-02 x 2

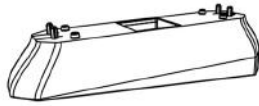


SA436 x 1

Fitting Kit



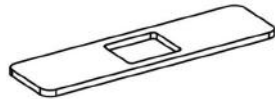
PS178 x 2



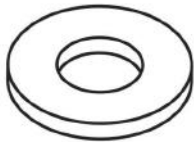
PS254L x 1



PS254R x 1



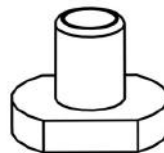
PS047 x 4



FW002 (M8) x 6



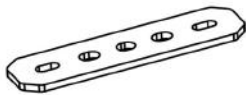
FW009 (M8) x 6



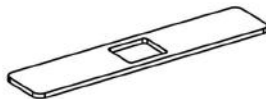
FN085 x 16



FT01 x 1



PS404 x 2



PS412 x 2



FT05 x 1



FS105
(M8 x 55) x 2



FS061
(M8 x 35) x 2

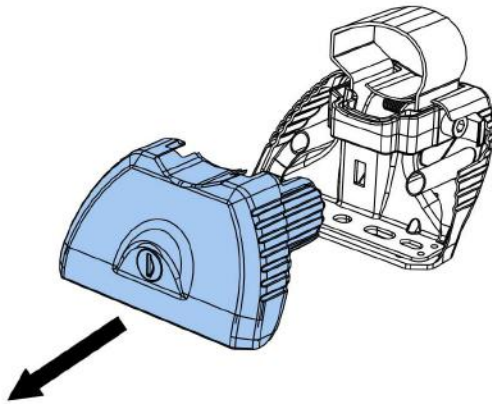


FS062
(M8 x 25) x 2

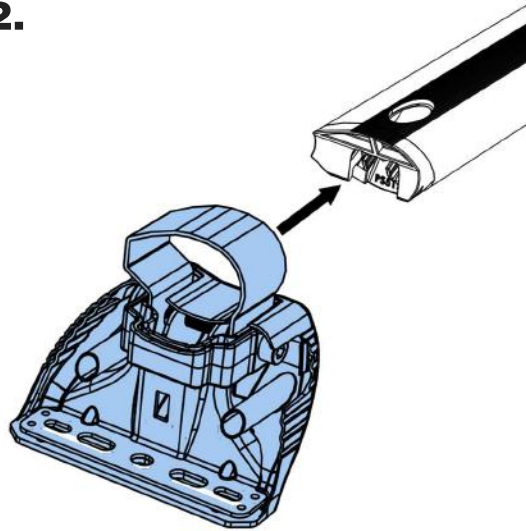


FS059
(M8 x 25) x 16

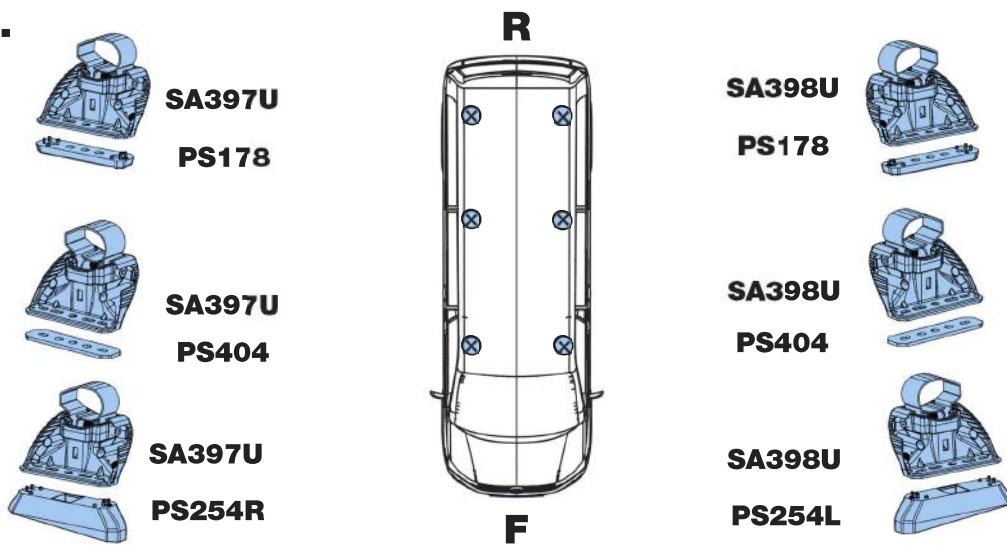
1.



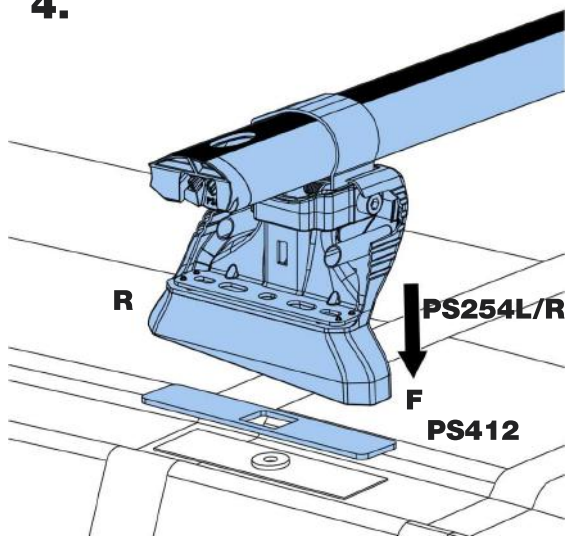
2.



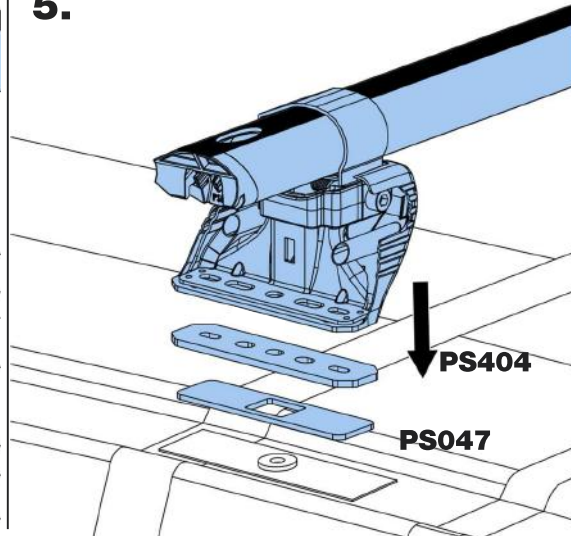
3.

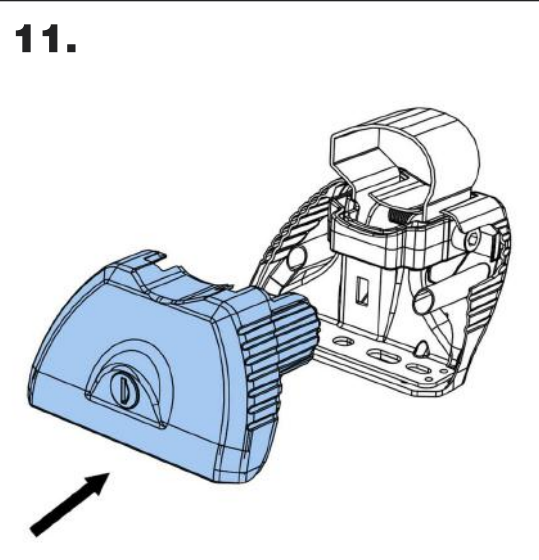
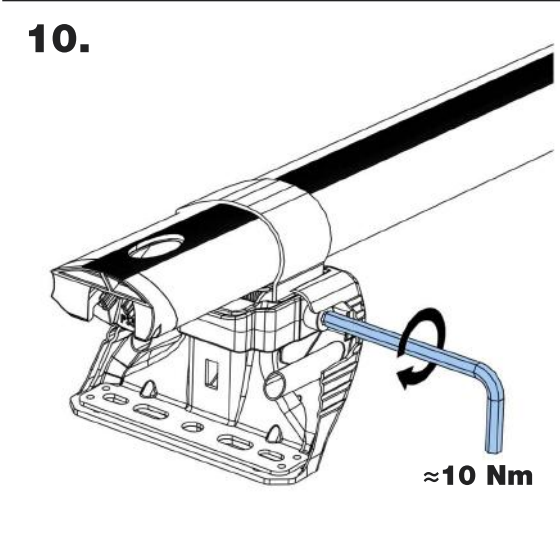
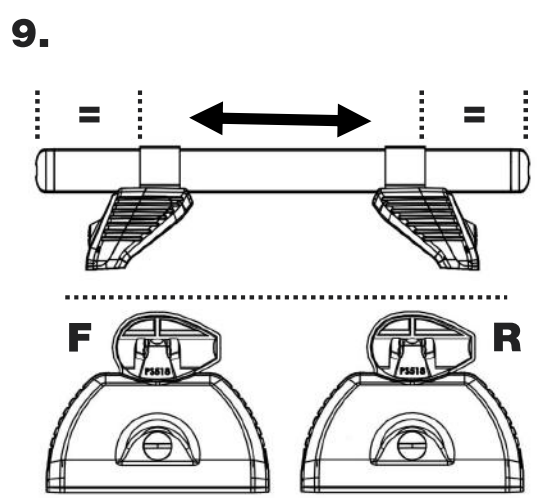
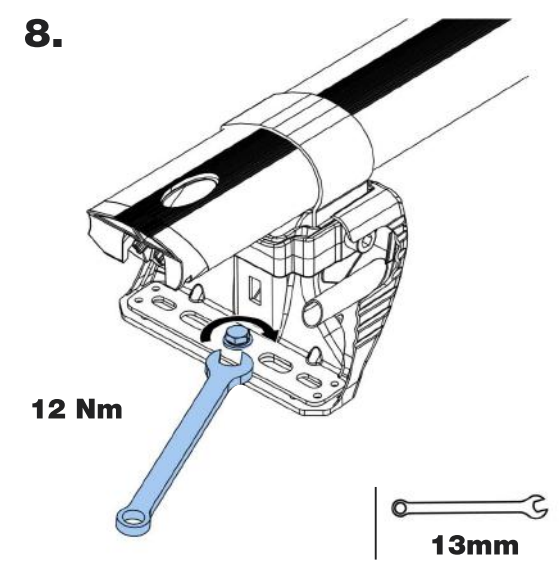
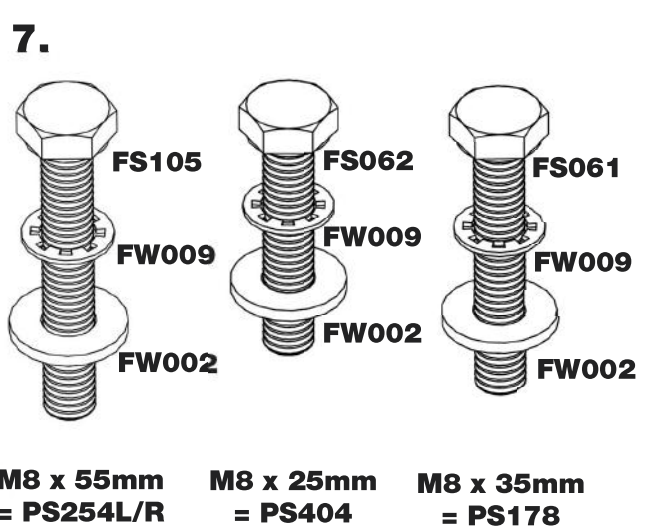
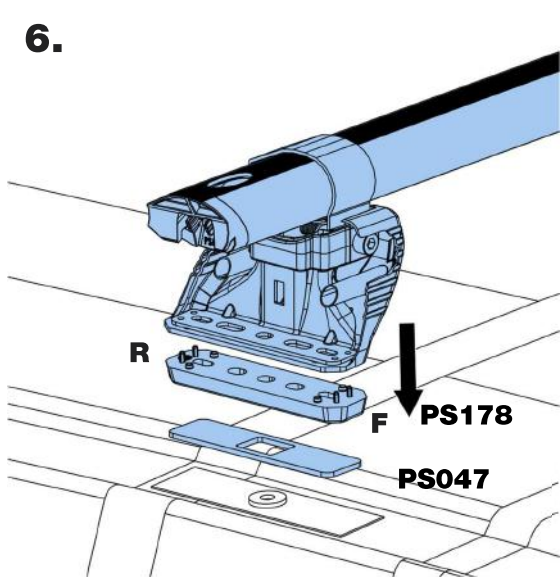


4.

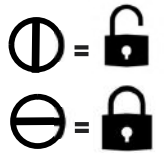
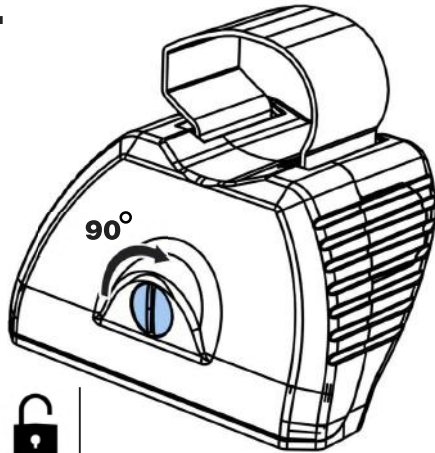


5.

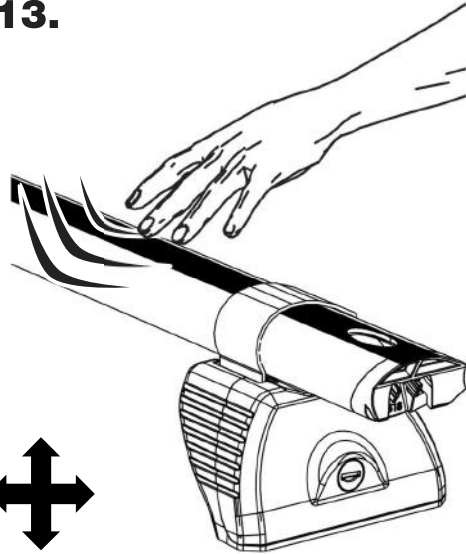




12.



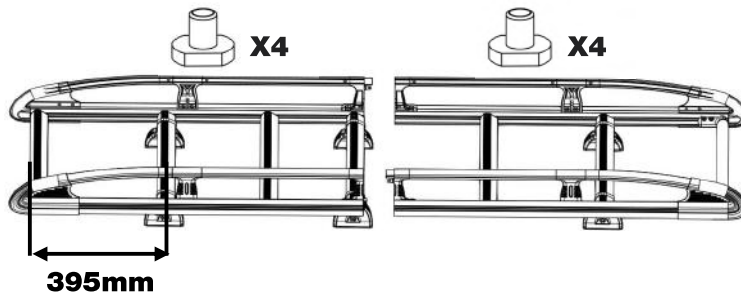
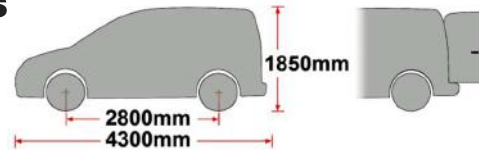
13.



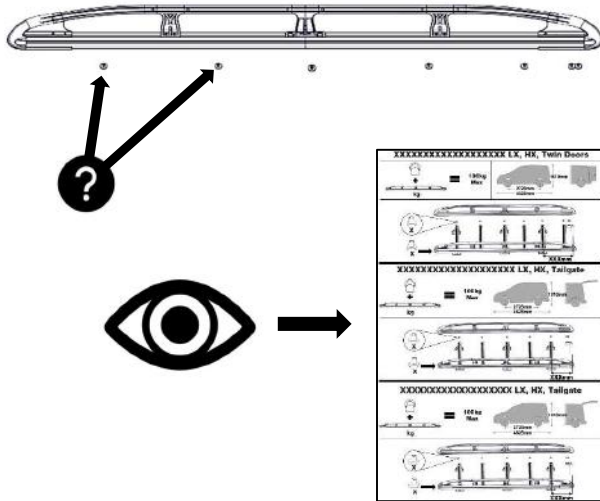
K672- Berlingo/Partner/Combo 2018- L1, H1, Twin Doors



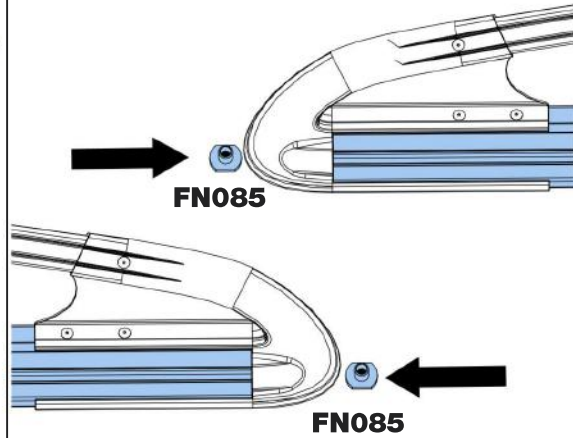
= 100kg Max



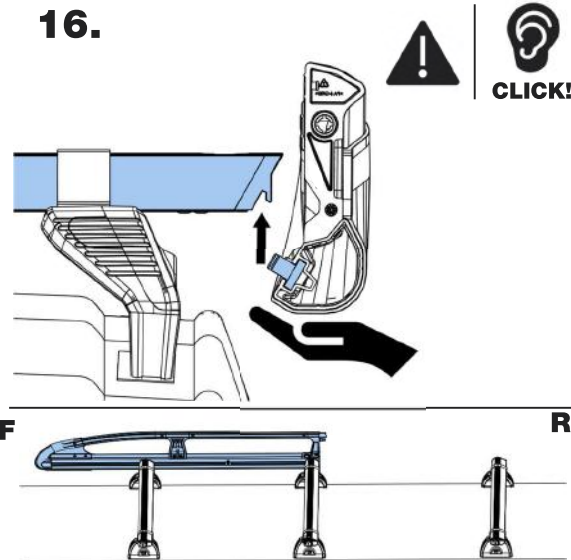
14.



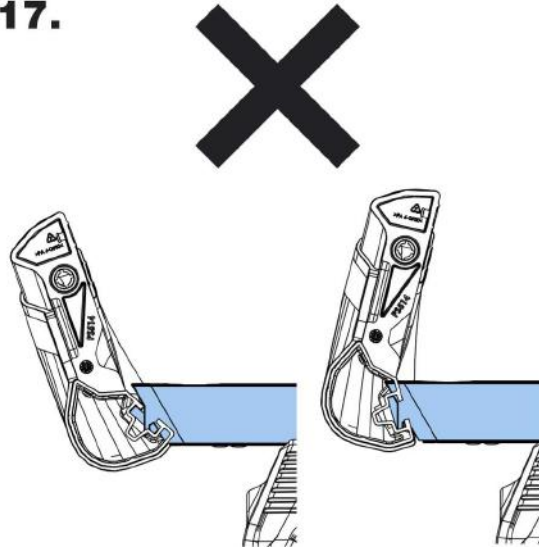
15.



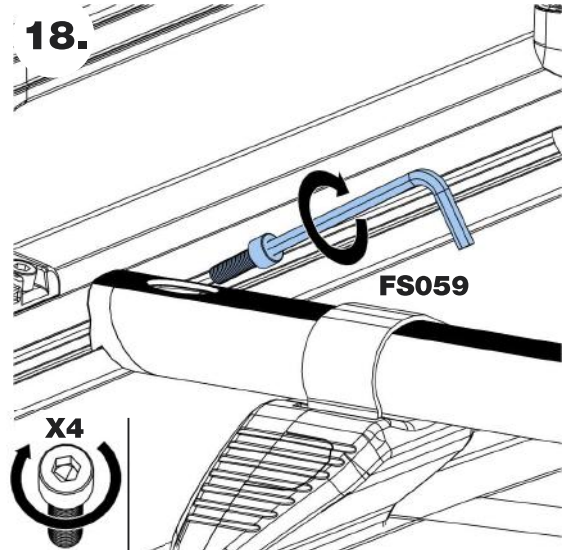
16.



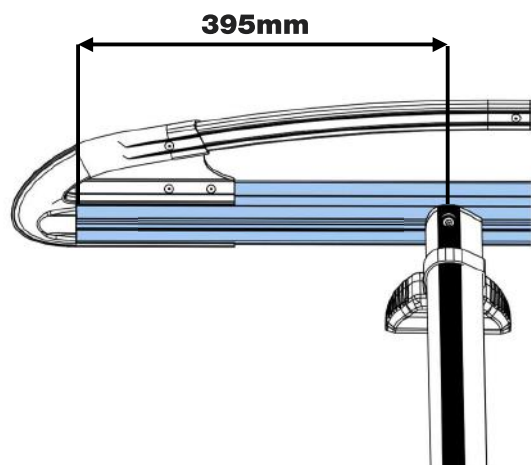
17.

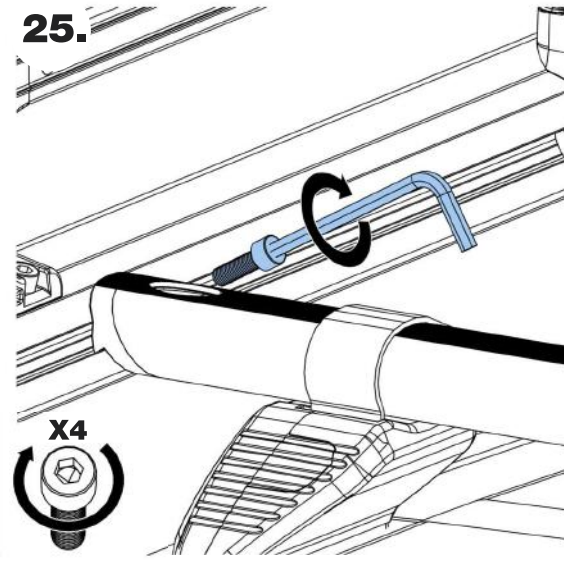
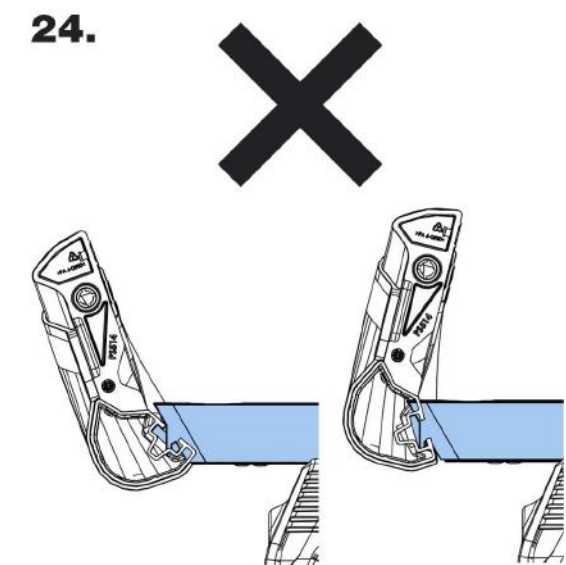
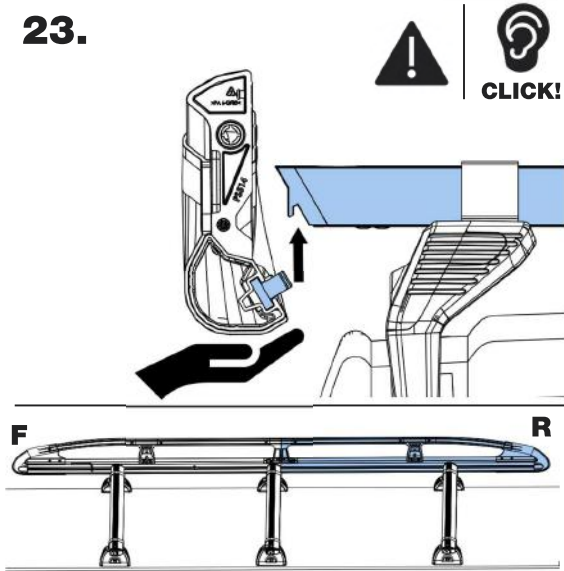
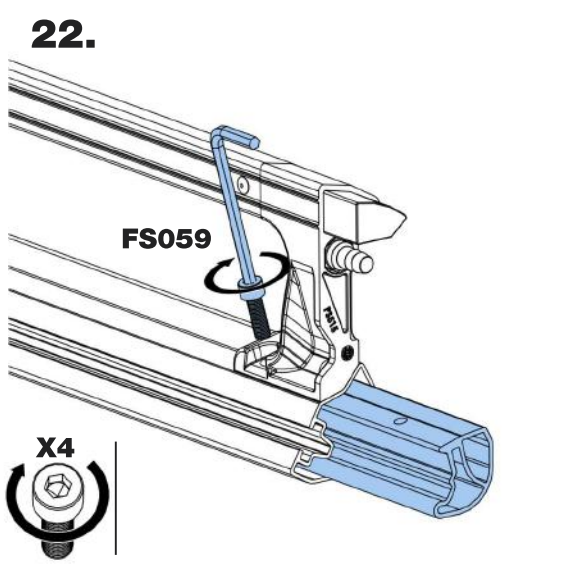
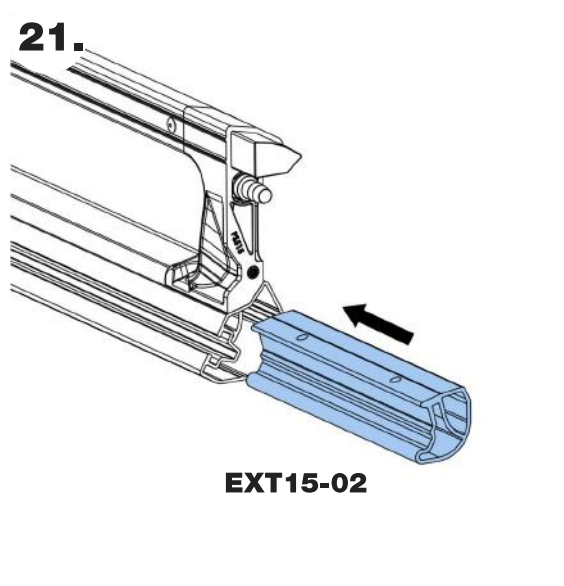
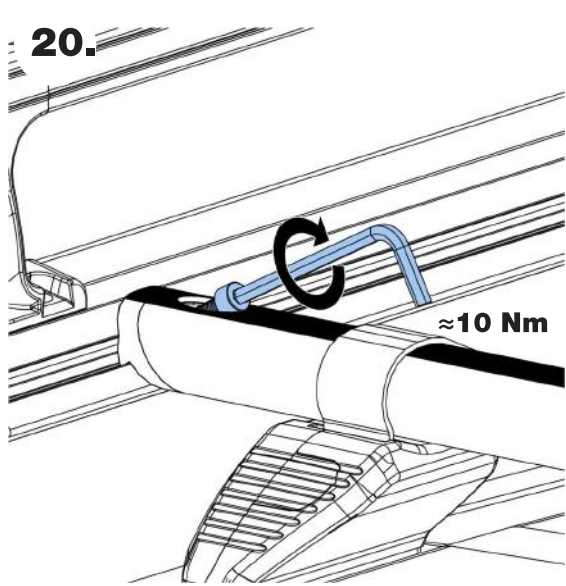


18.

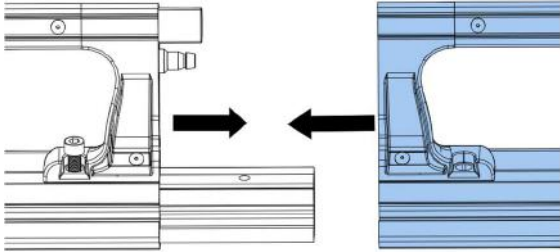


19.

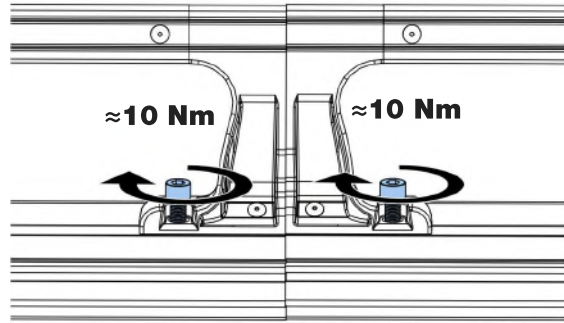




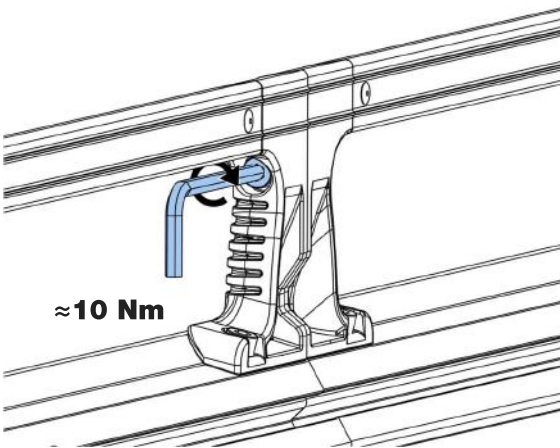
26.



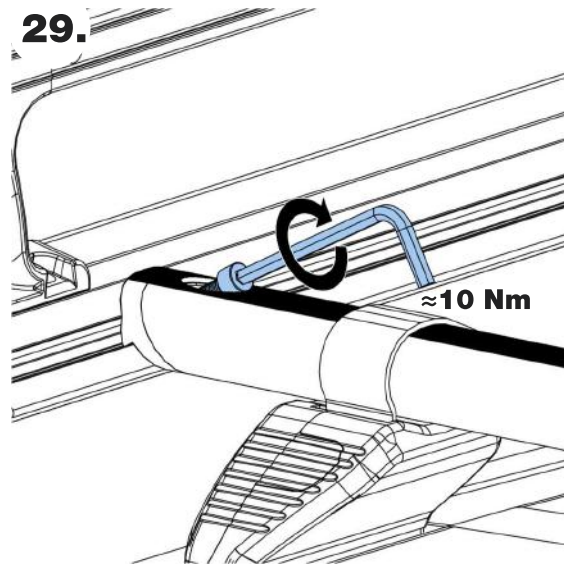
27.



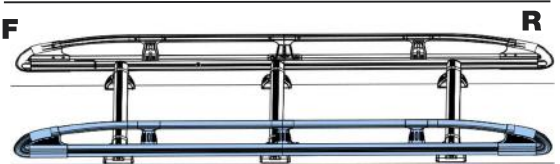
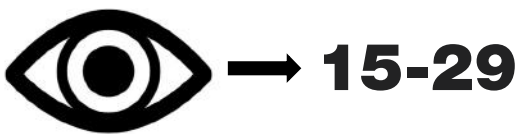
28.



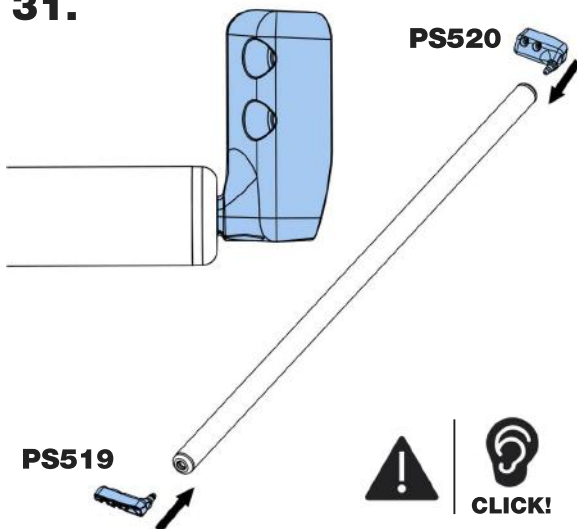
29.

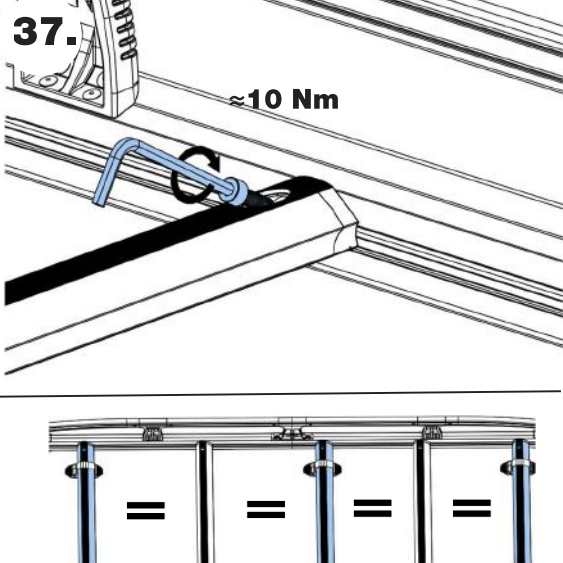
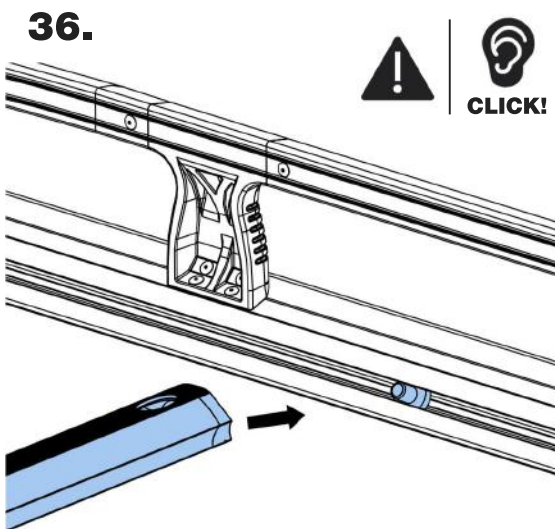
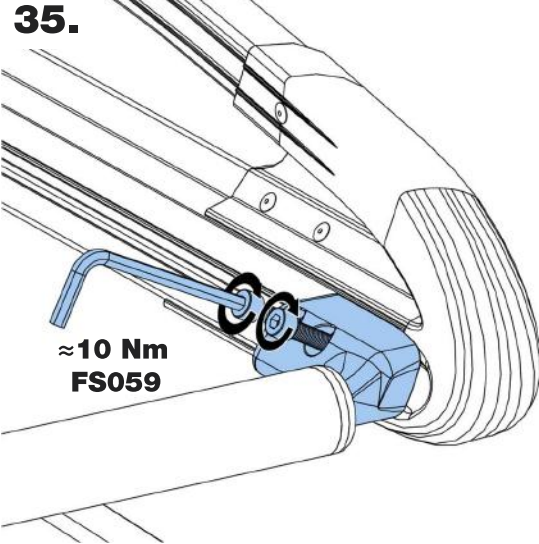
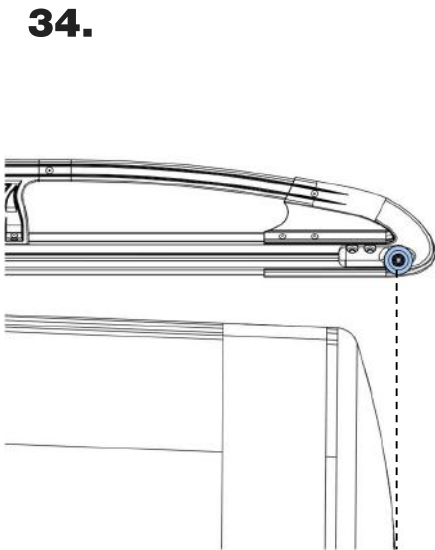
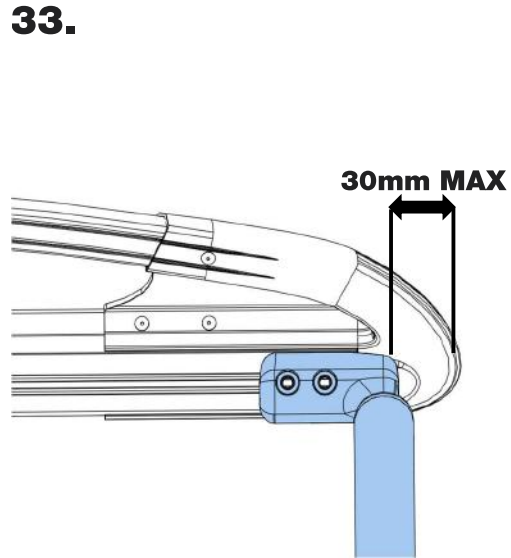
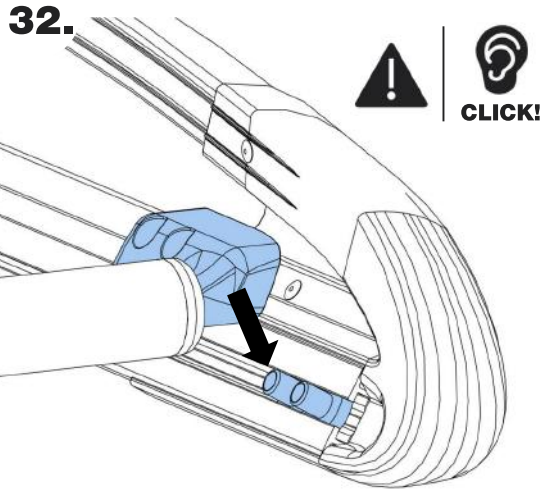


30.

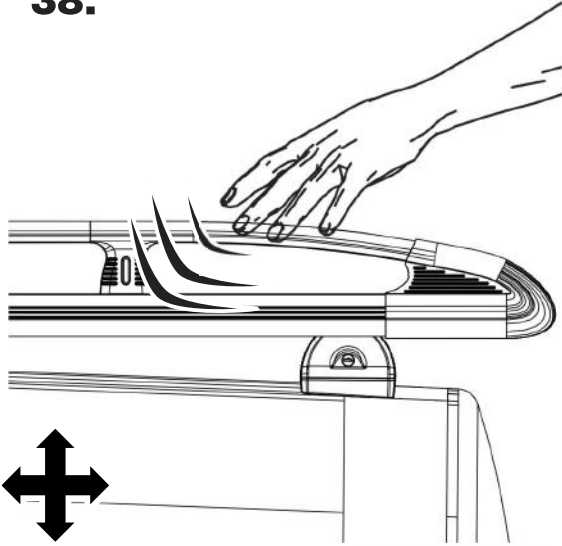


31.

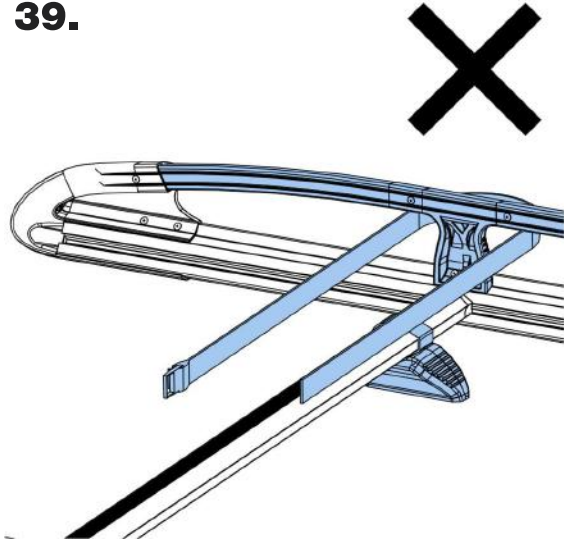




38.



39.



40.

