
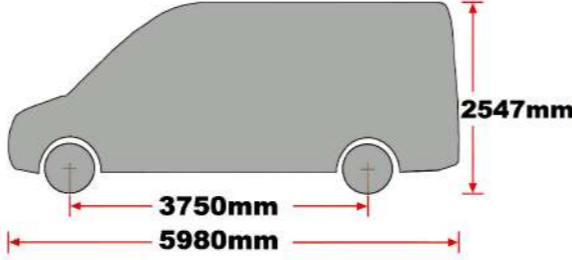
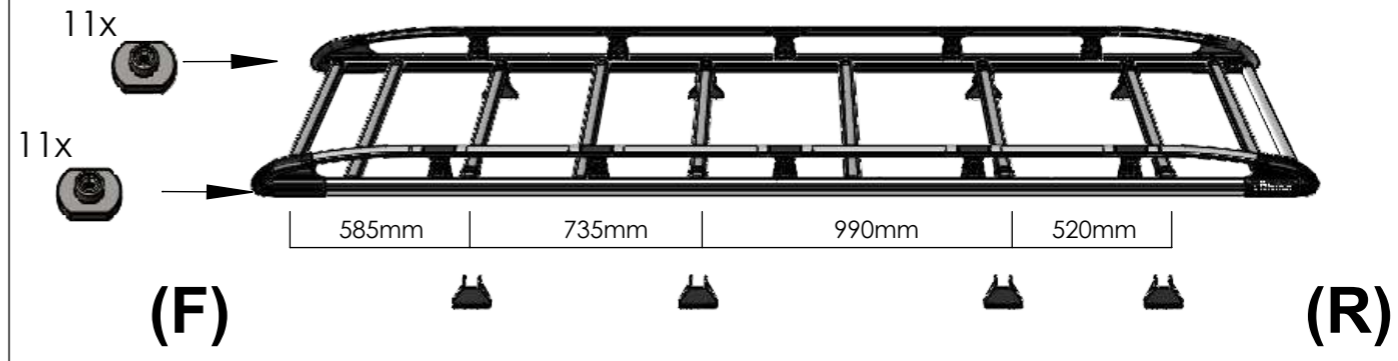

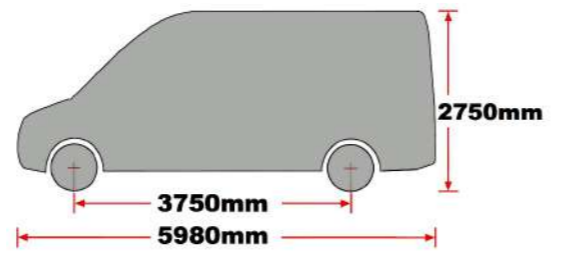
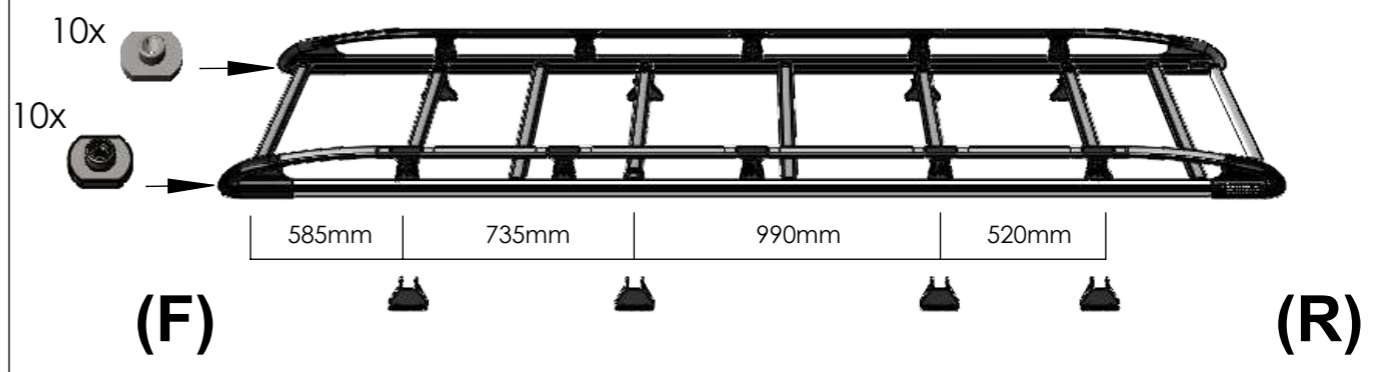




ALUMINIUM RACK - TYPE DESIGNATION FORM I

<h1 style="margin: 0;">AH626</h1>  <p>42kg + xx kg = Max. 150kg</p>	<p>TRANSIT 2014-L3, H2, TWIN DOORS</p>  <p>2547mm 3750mm 5980mm</p>	 <p>11x 11x</p> <p>585mm 735mm 990mm 520mm</p> <p>(F) (R)</p>
--	--	---

<h1 style="margin: 0;">AH627</h1>  <p>40kg + xx kg = Max. 150kg</p>	<p>TRANSIT 2014-L3, H3, TWIN DOORS</p>  <p>2750mm 3750mm 5980mm</p>	 <p>10x 10x</p> <p>585mm 735mm 990mm 520mm</p> <p>(F) (R)</p>
---	---	--

 <p>xx kg = </p>		
---	--	--

 <p>xx kg = </p>		
---	--	--



EXT09-004 x 8



MS168 x 8



PS095 x 8



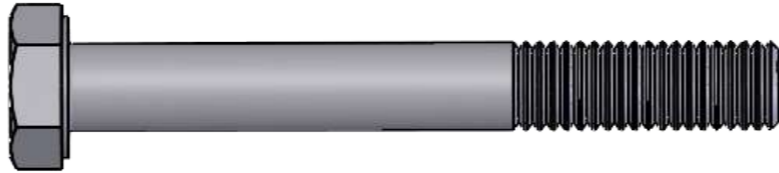
PS089 x 1



PS090 x 1



PS023 x 8



FB012 (M8 x 65) x 16

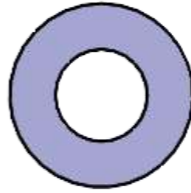


FS062 (M8 x 25) x 8

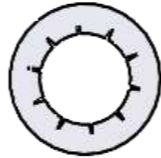


FS059 (M8 x 25) x 22

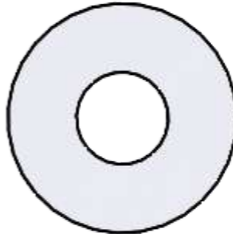
(1:1)



FW037 (M8) x 32



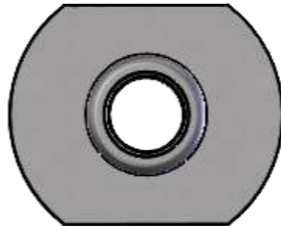
FW009 (M8) x 8



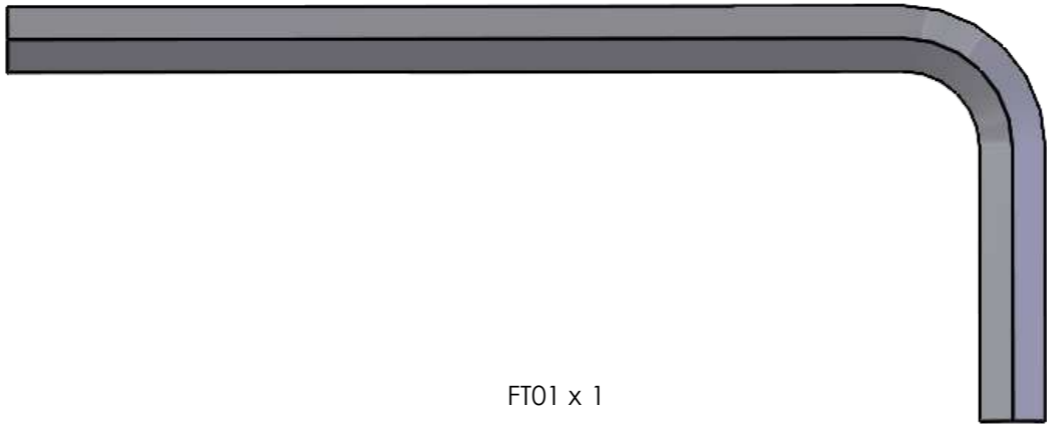
FW002 (M8) x 8



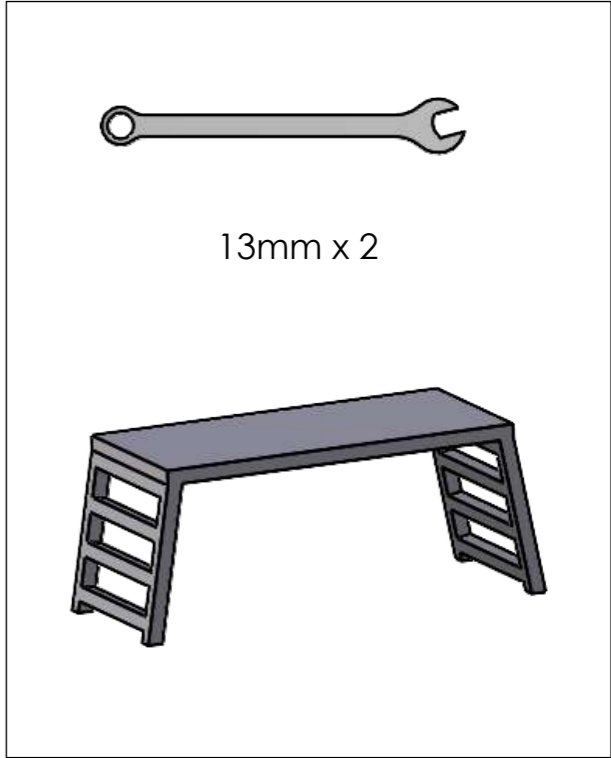
FN006 (M8) x 16



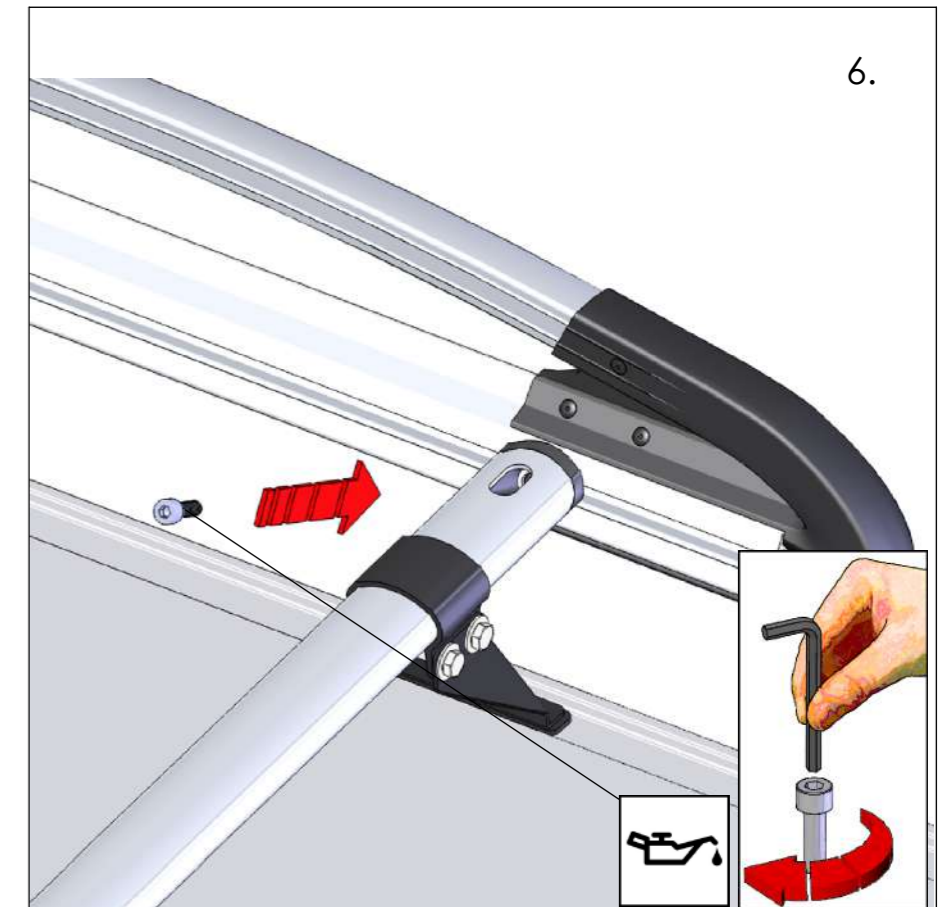
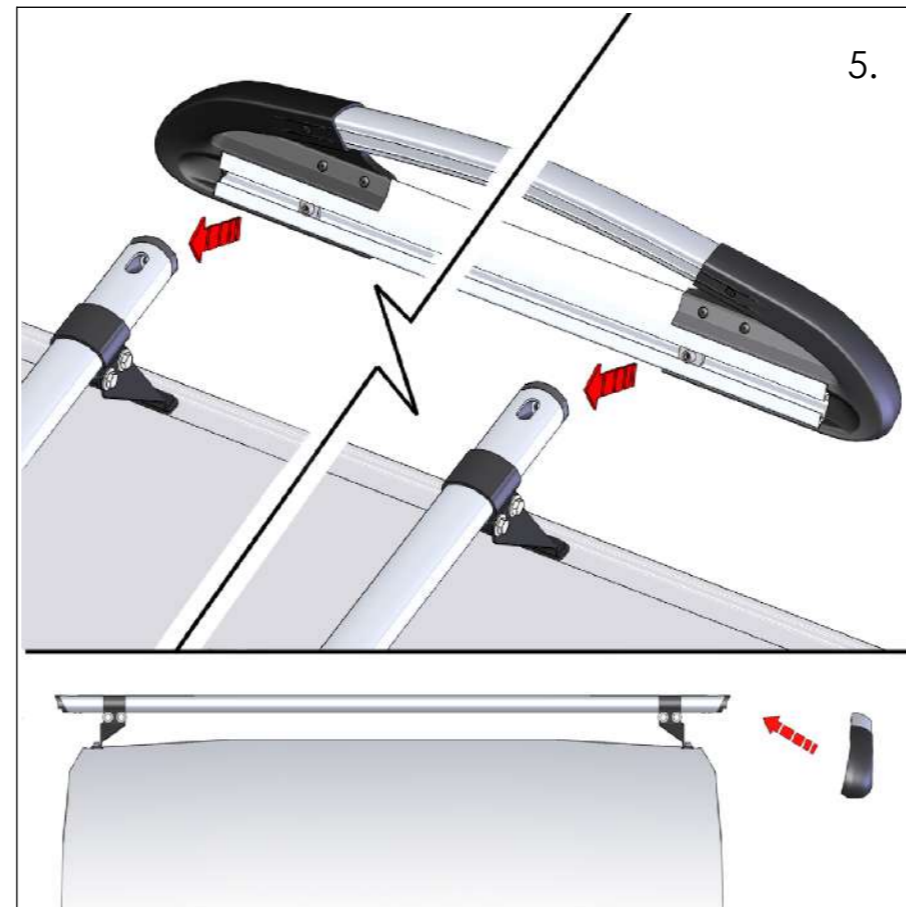
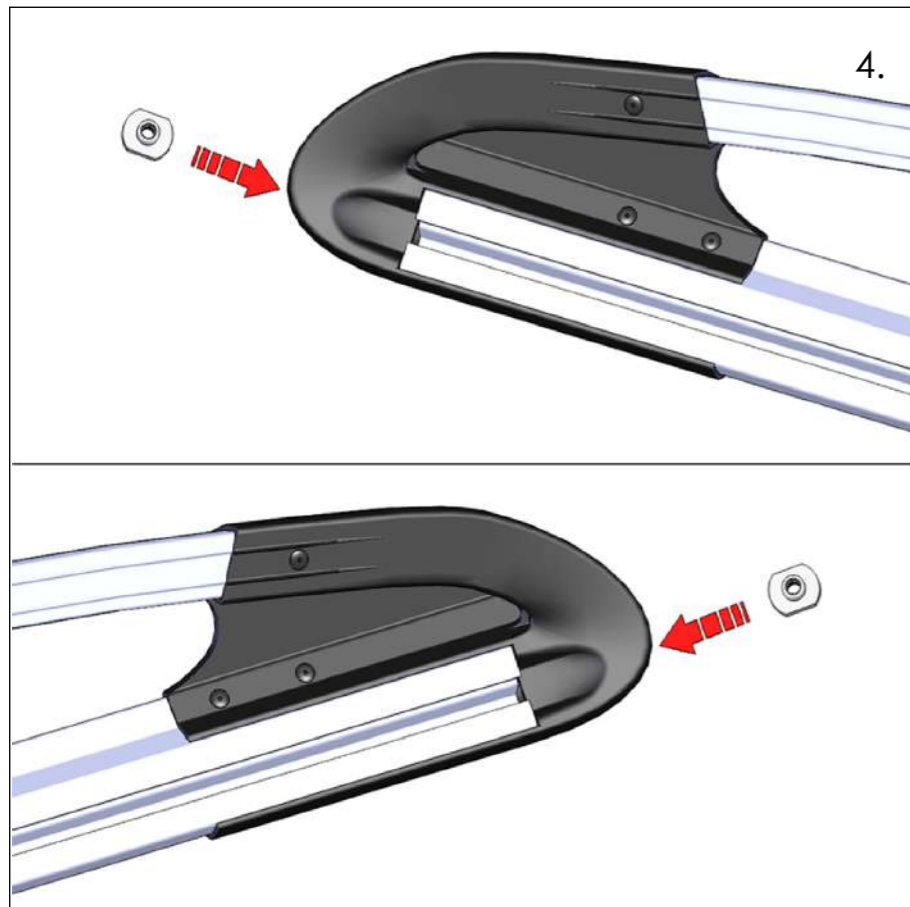
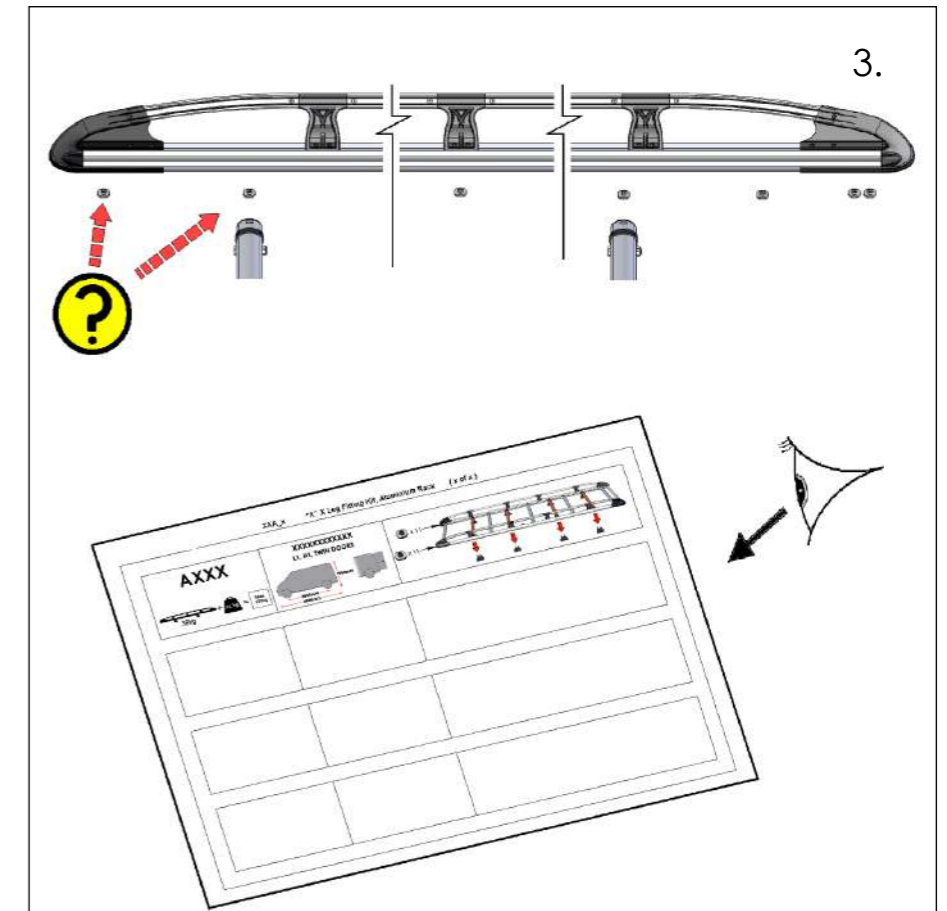
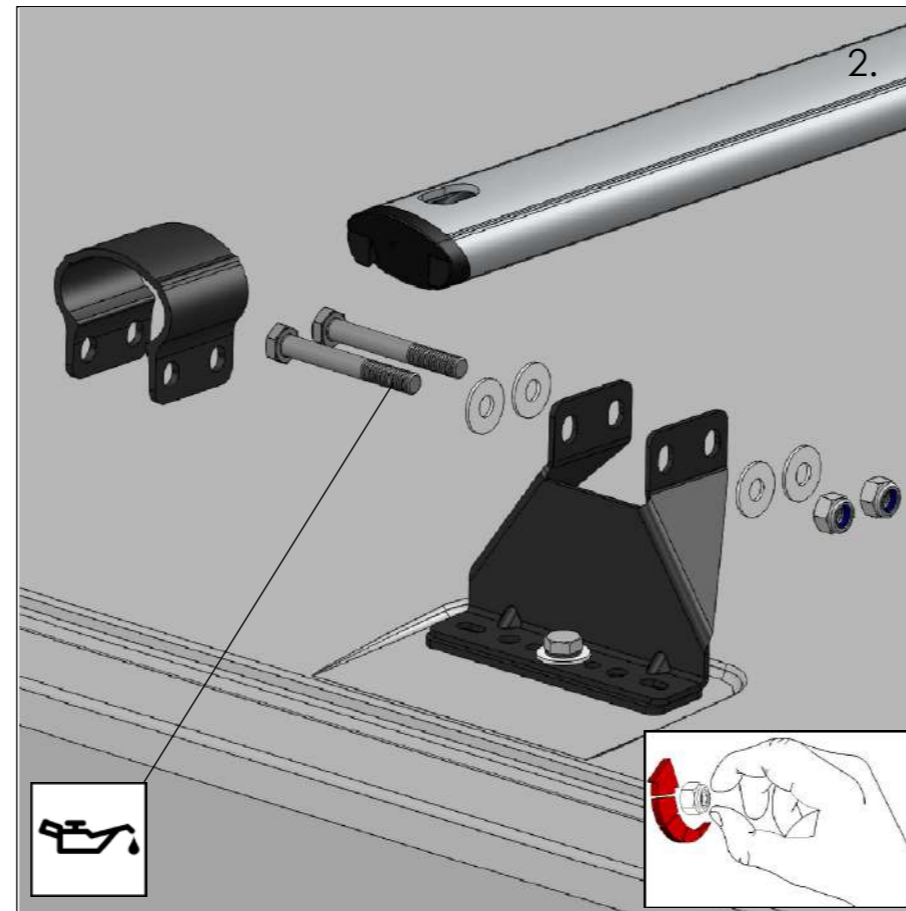
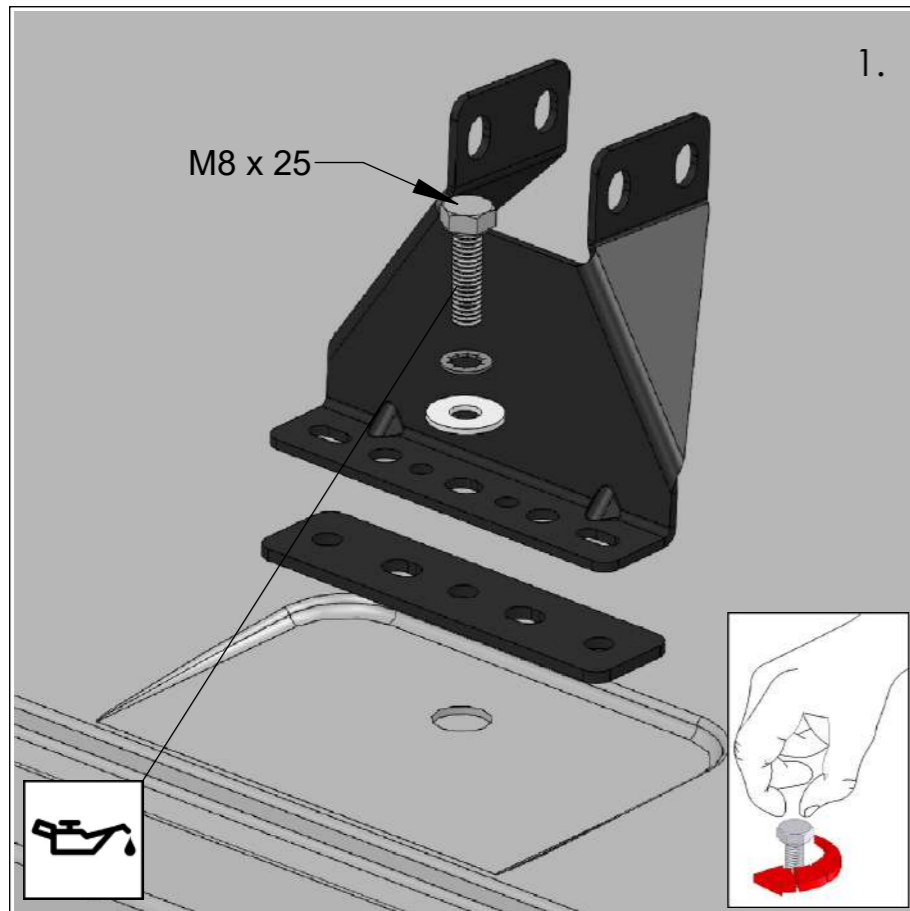
FN023 (M8) x 22

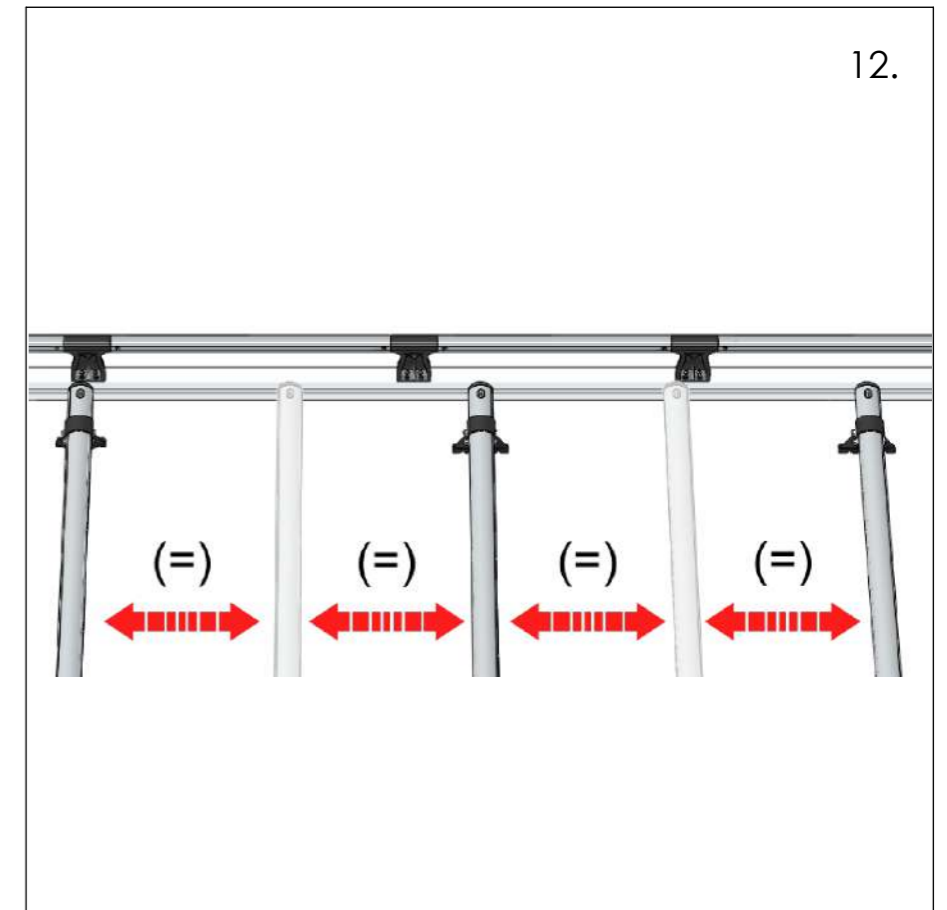
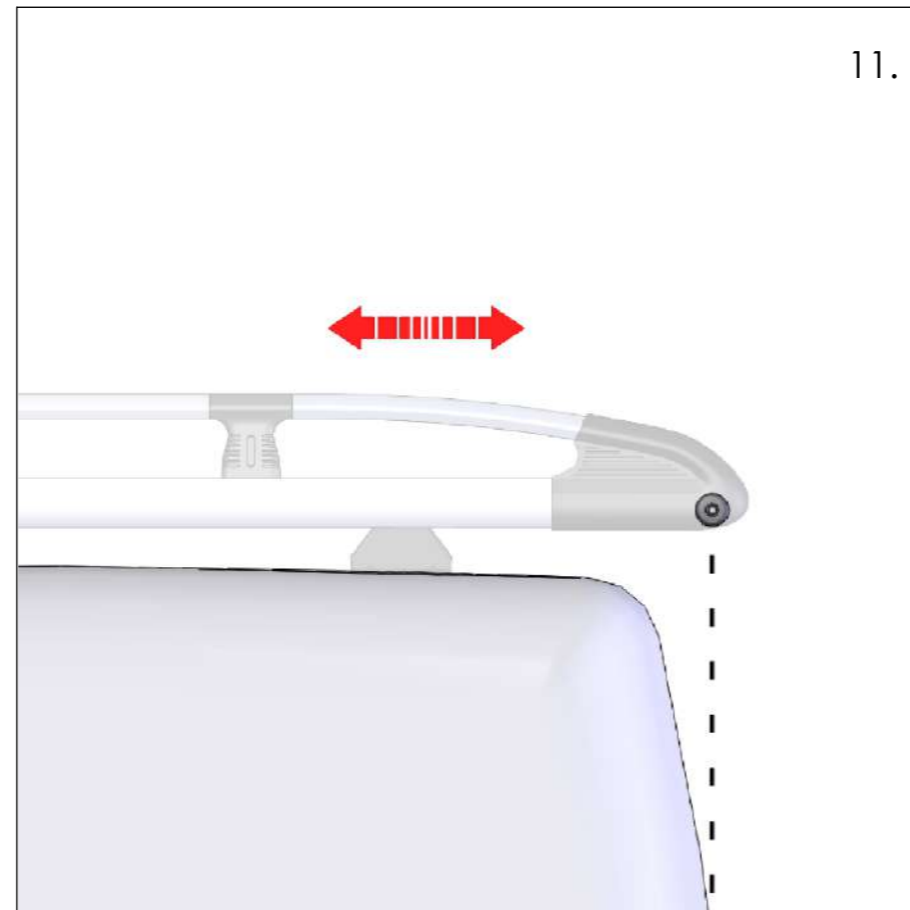
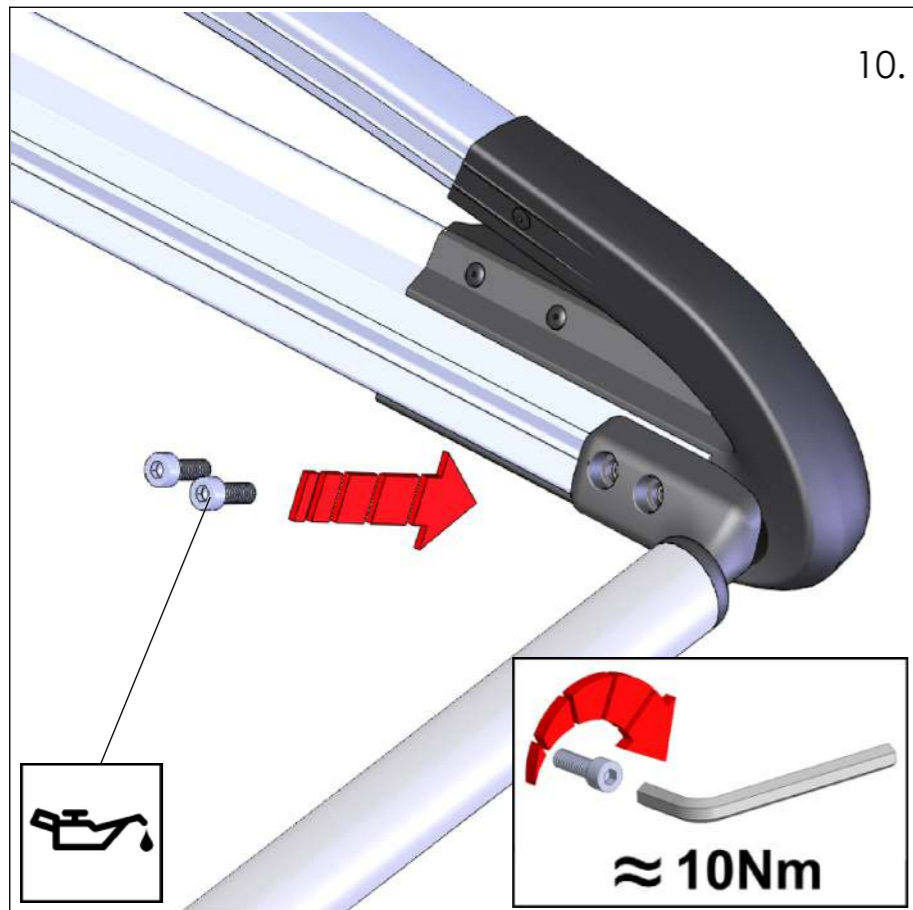
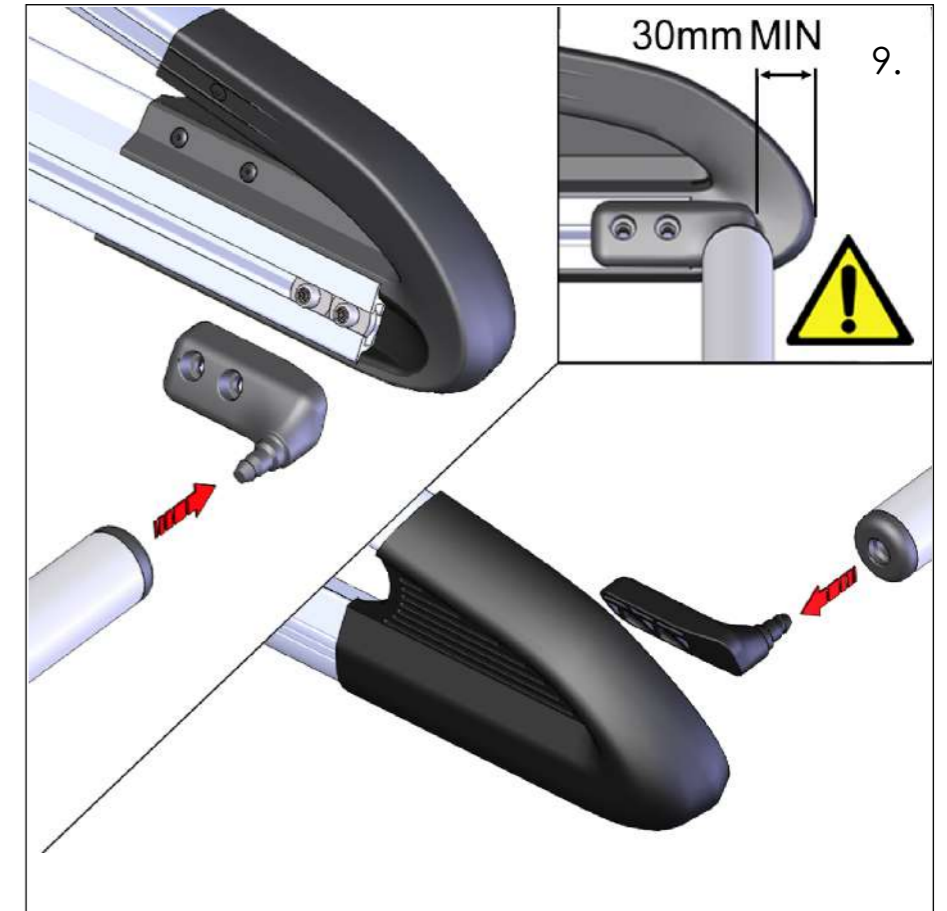
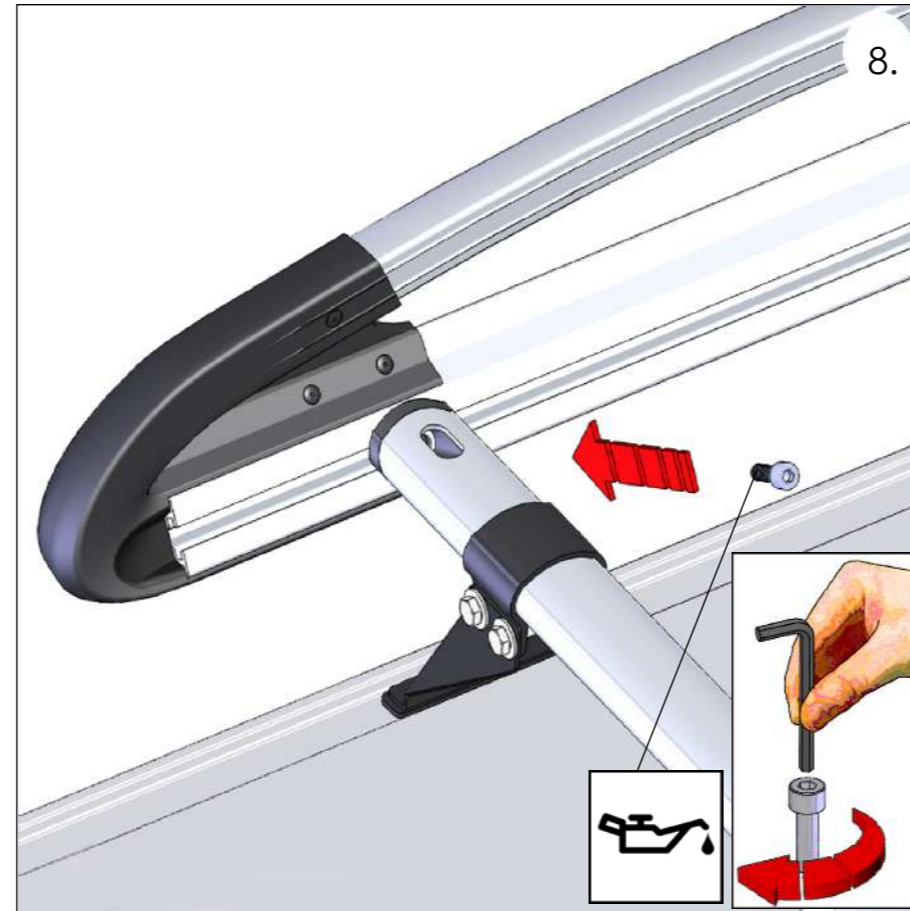
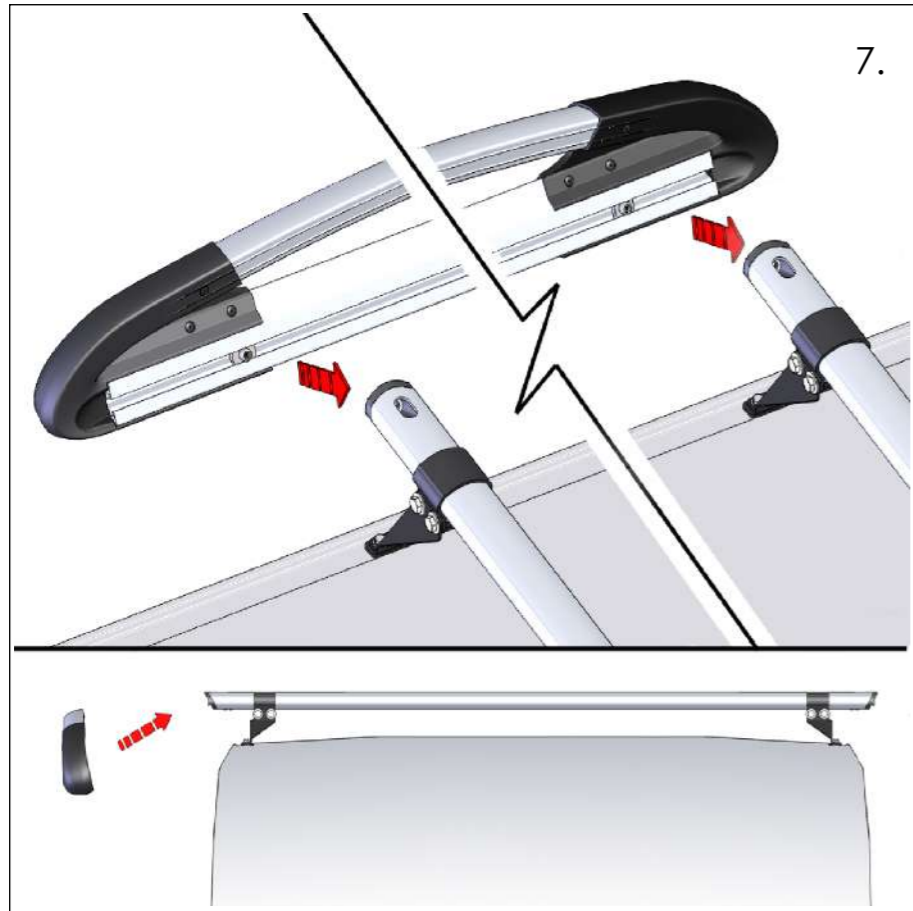


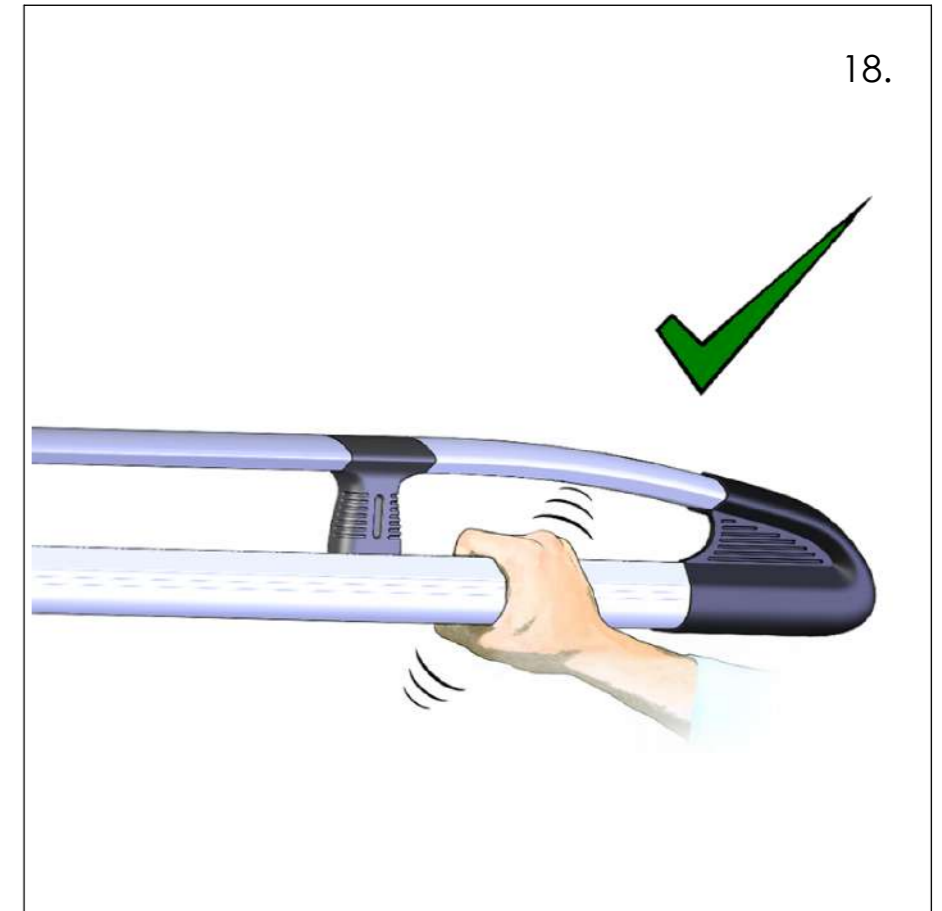
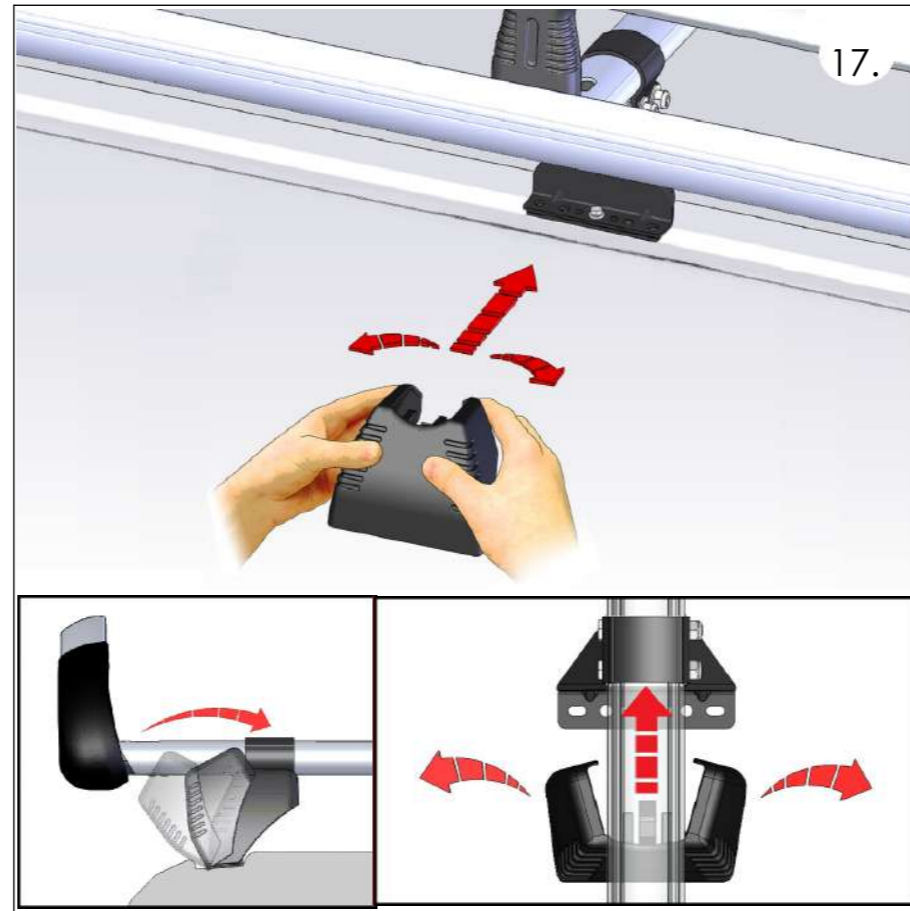
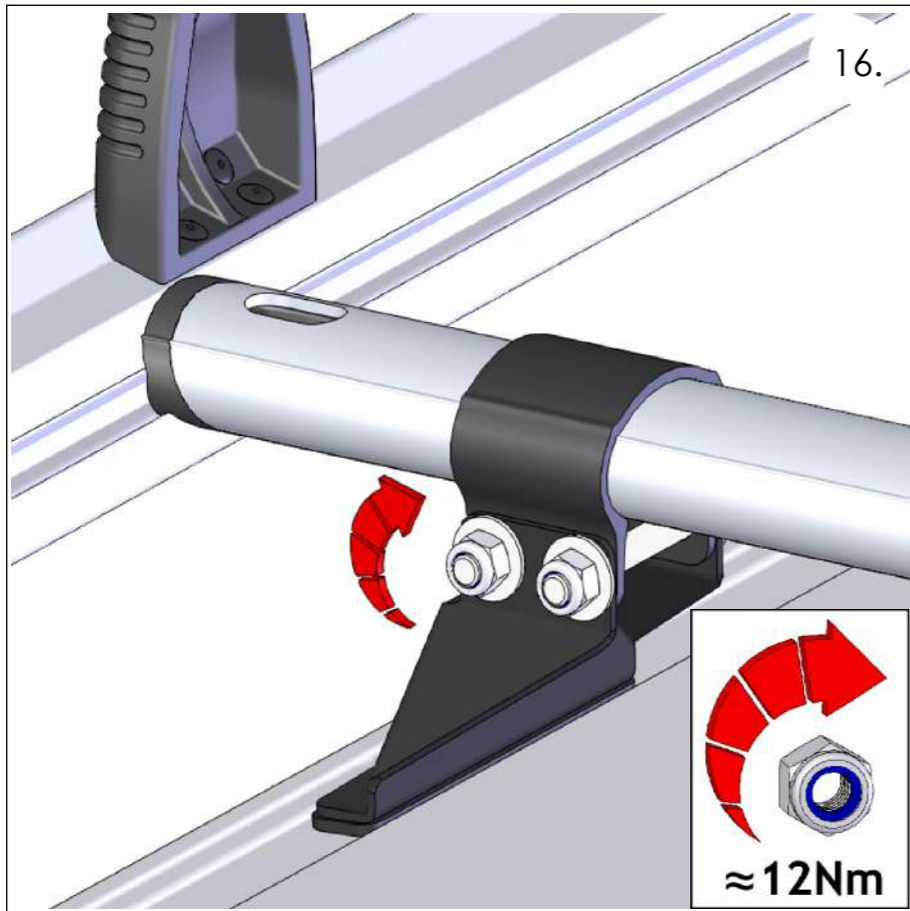
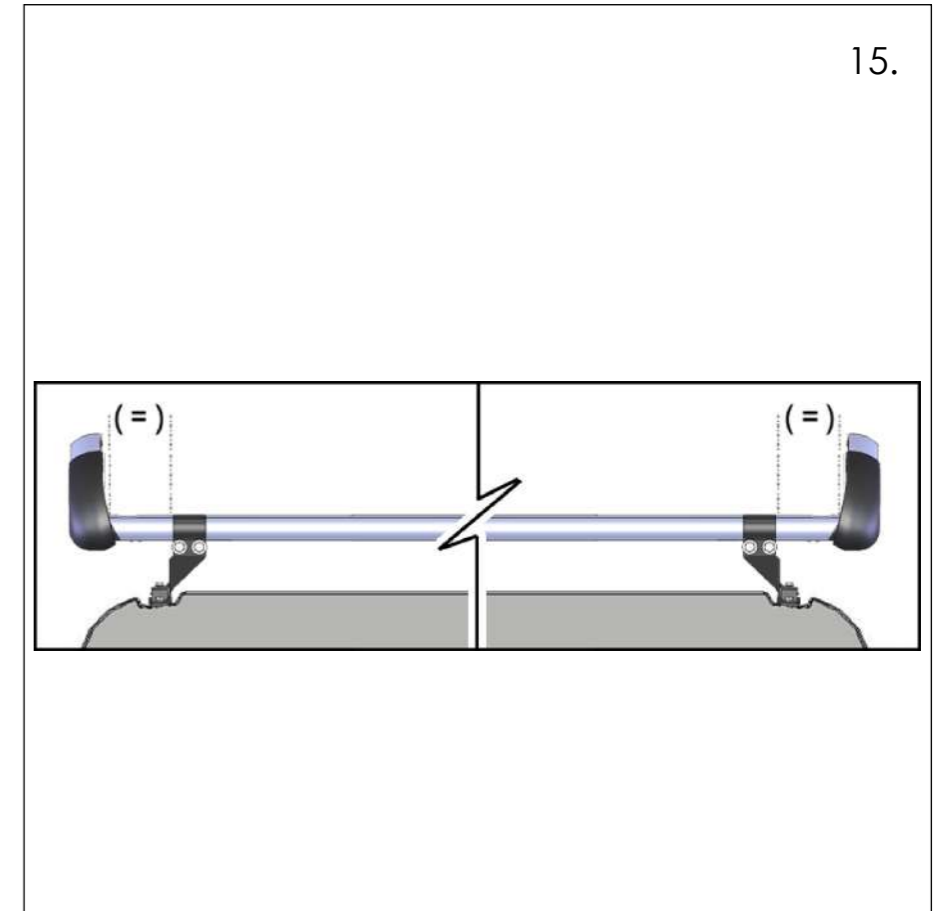
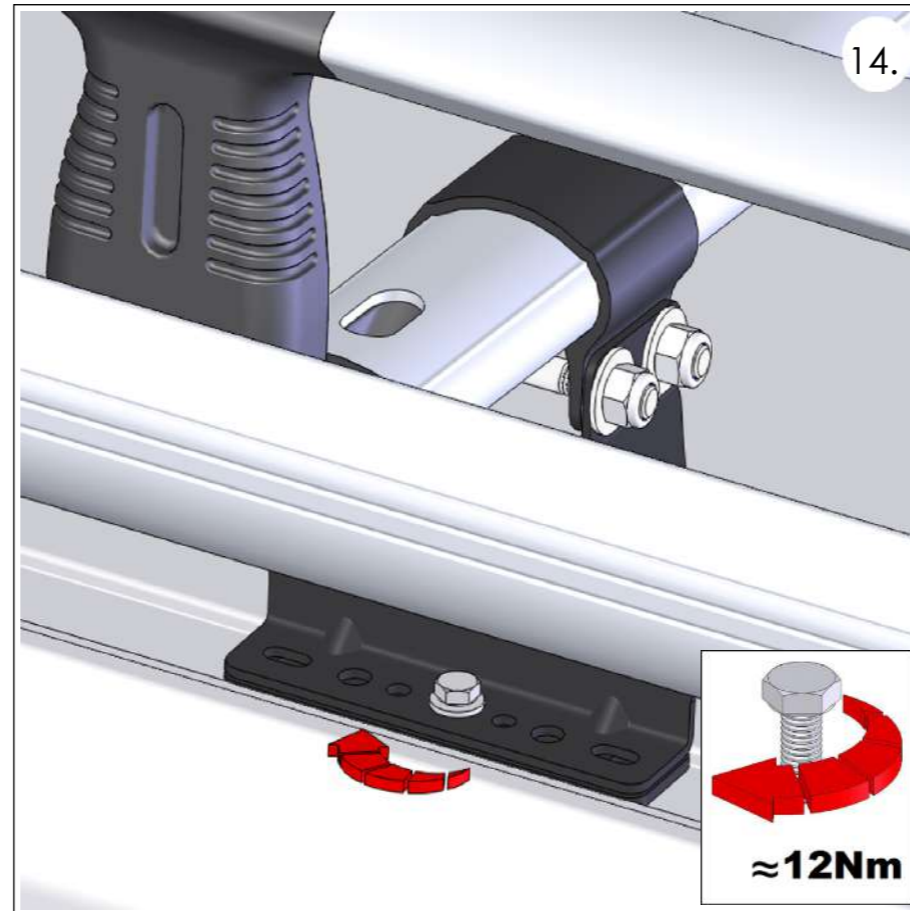
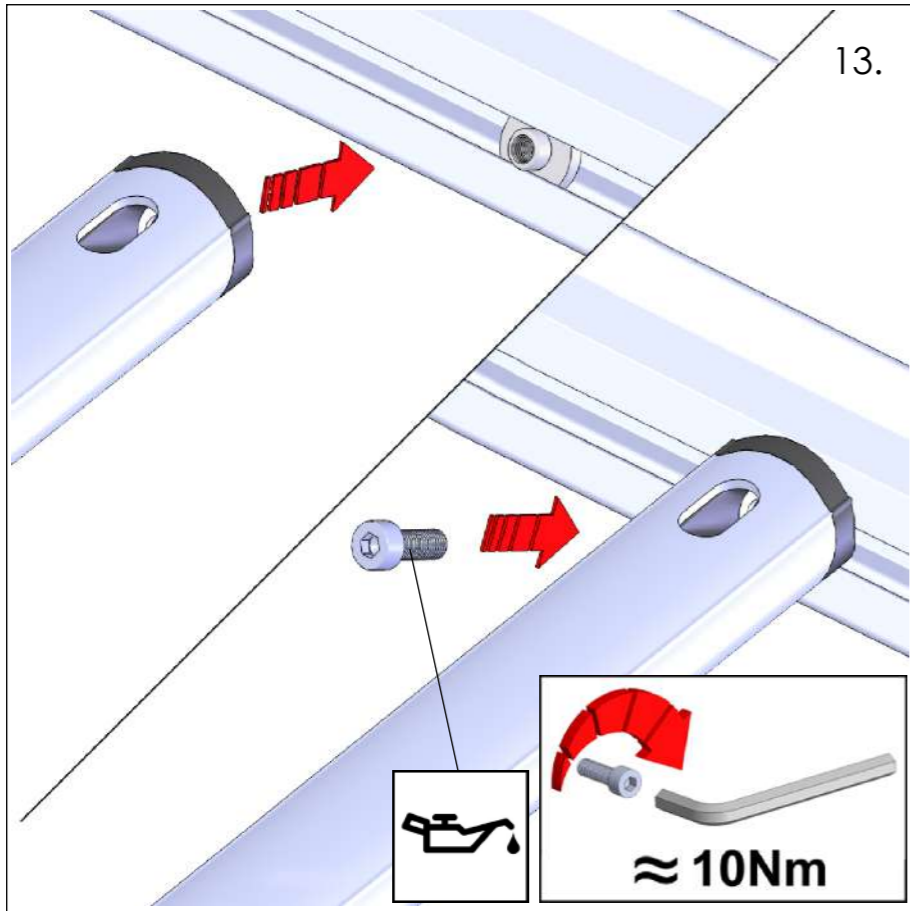
FT01 x 1

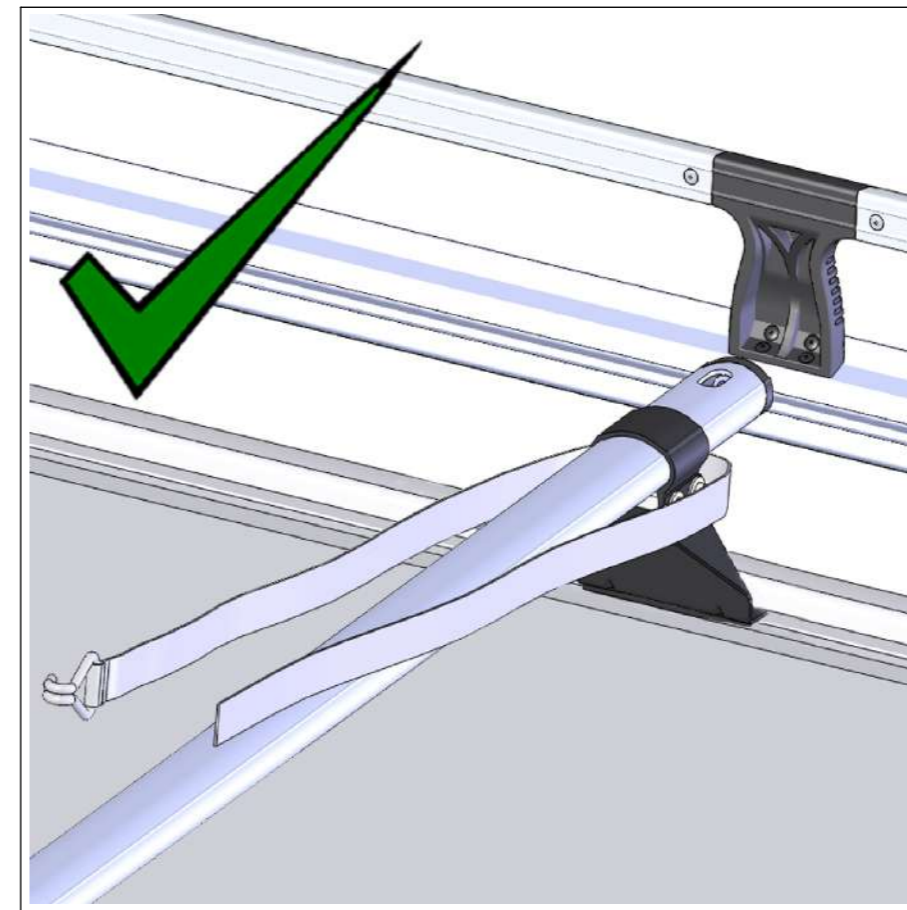
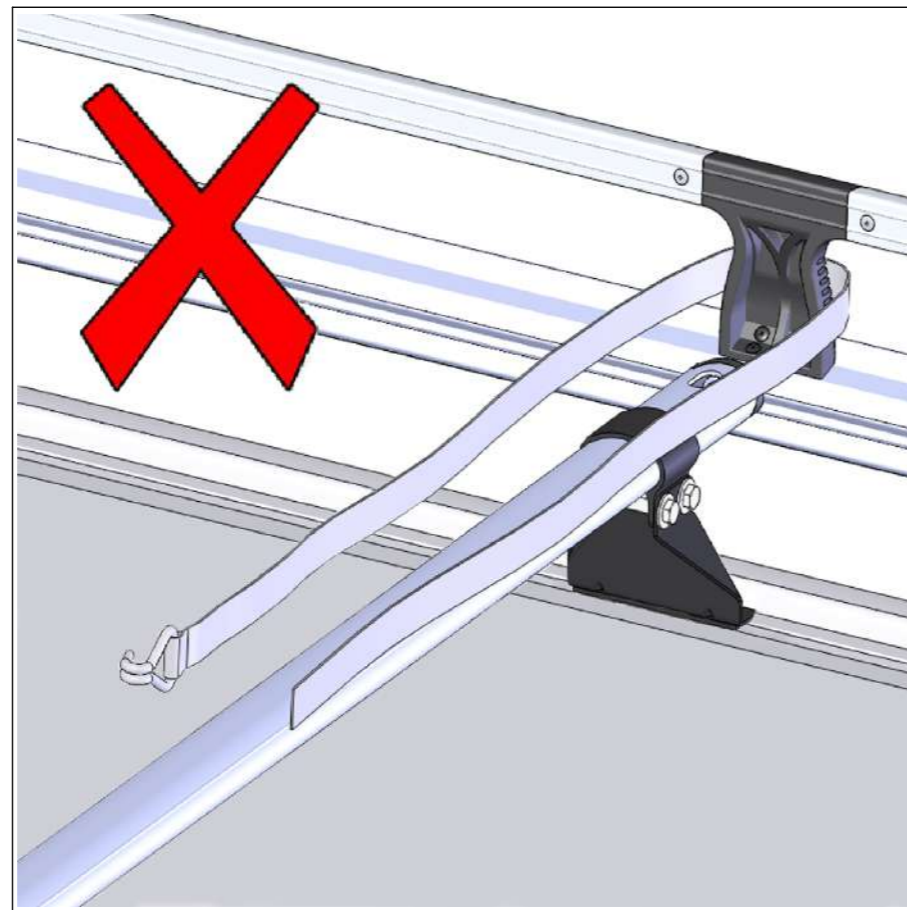
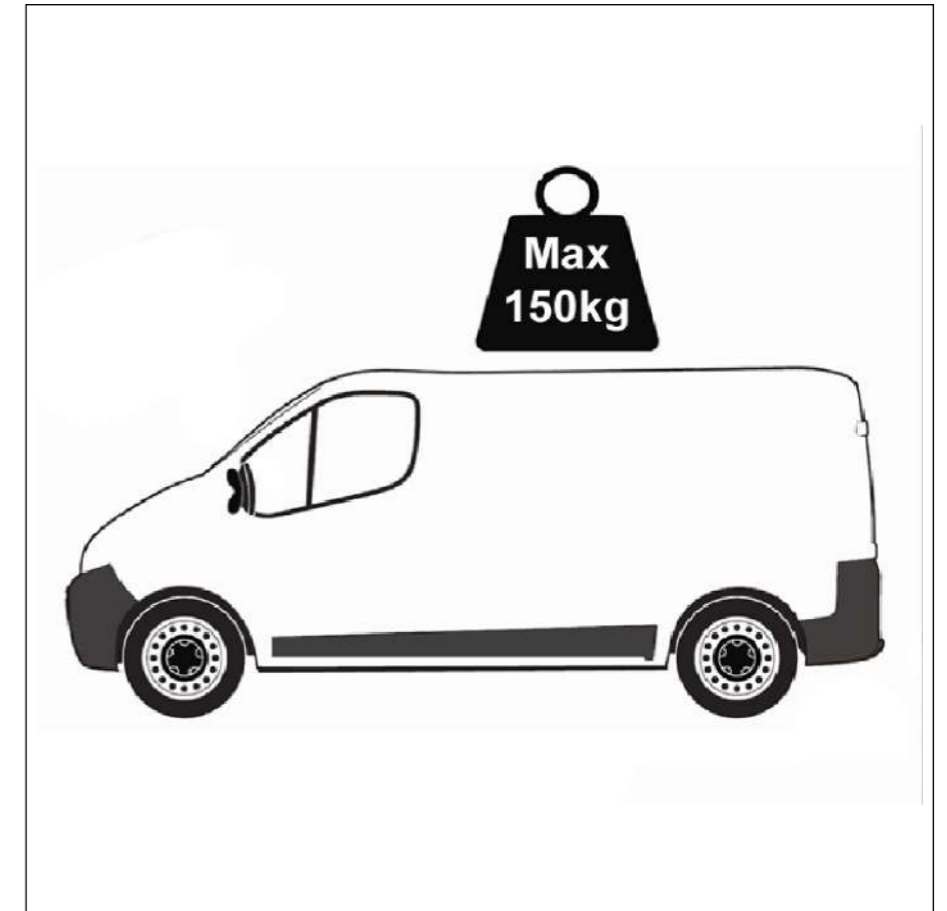
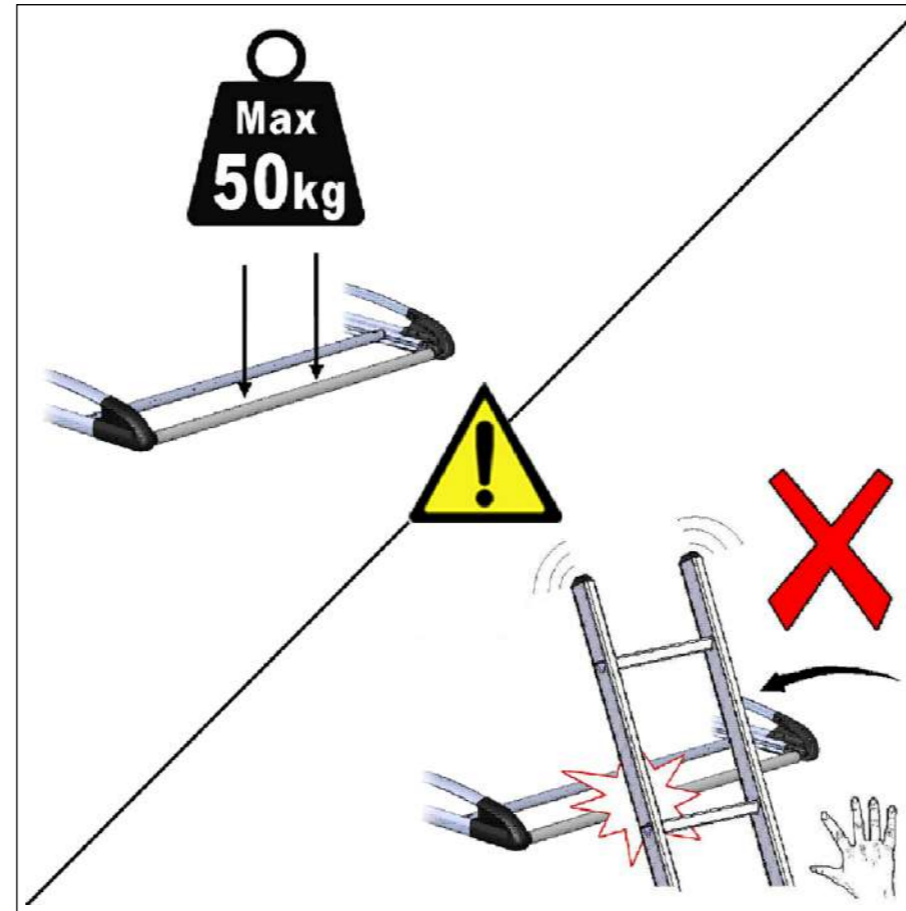
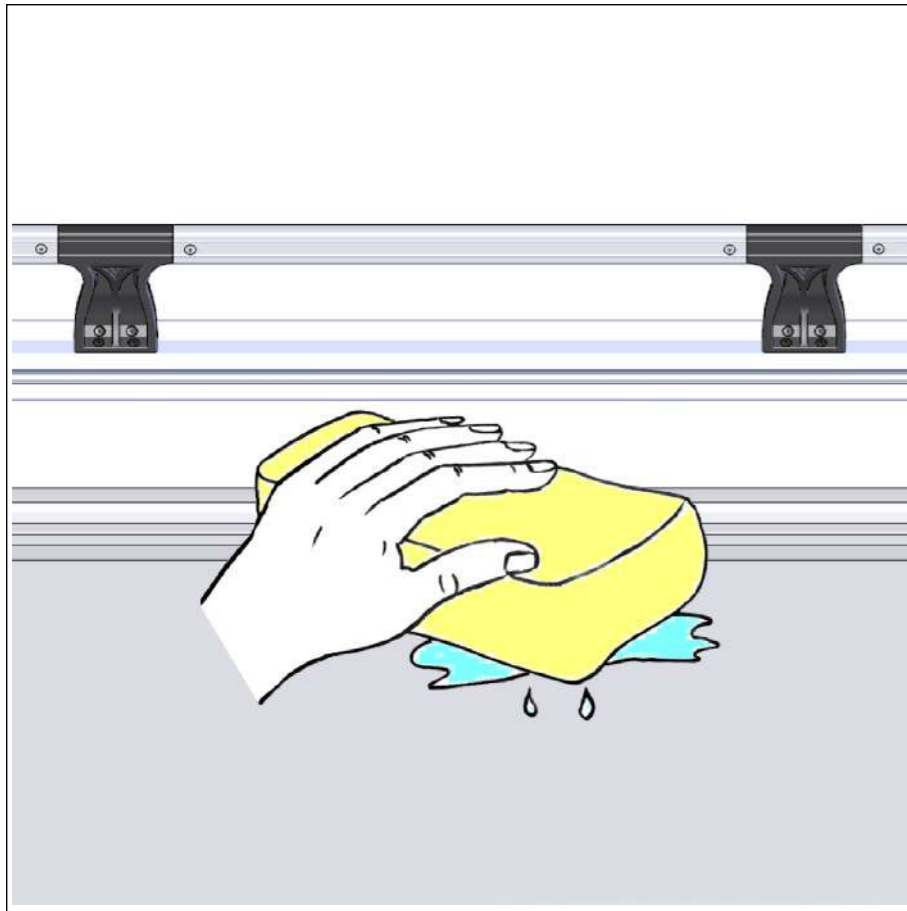


13mm x 2









ALUMINIUM RACK - TYPE DESIGNATION FORM I

<h1 style="font-size: 2em; margin: 0;">AH628</h1> <div style="display: flex; align-items: center; justify-content: center; margin-top: 10px;"> + = <div style="border: 1px solid black; padding: 2px; font-size: 0.8em;">Max. 150kg</div> </div> <p style="font-size: 0.8em; margin-top: 5px;">48kg</p>	<p style="font-weight: bold; font-size: 0.9em;">TRANSIT 2014- L4, H3, TWIN DOORS</p>	<div style="display: flex; align-items: center; justify-content: center;"> <div style="margin-right: 10px;">12 x</div> </div> <div style="display: flex; align-items: center; justify-content: center; margin-top: 10px;"> <div style="margin-right: 10px;">12 x</div> </div> <div style="display: flex; justify-content: space-around; margin-top: 10px;"> (F) (R) </div>
---	--	--

+ = <div style="border: 1px solid black; width: 30px; height: 30px; display: flex; align-items: center; justify-content: center;"> </div>		
--	--	--

+ = <div style="border: 1px solid black; width: 30px; height: 30px; display: flex; align-items: center; justify-content: center;"> </div>		
--	--	--

+ = <div style="border: 1px solid black; width: 30px; height: 30px; display: flex; align-items: center; justify-content: center;"> </div>		
--	--	--



(1:1)

