
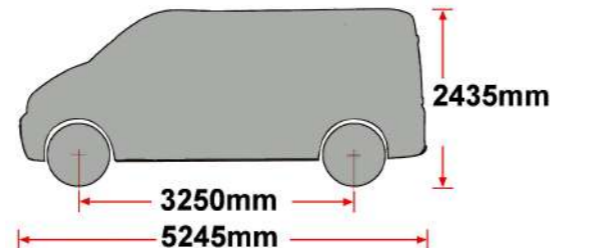
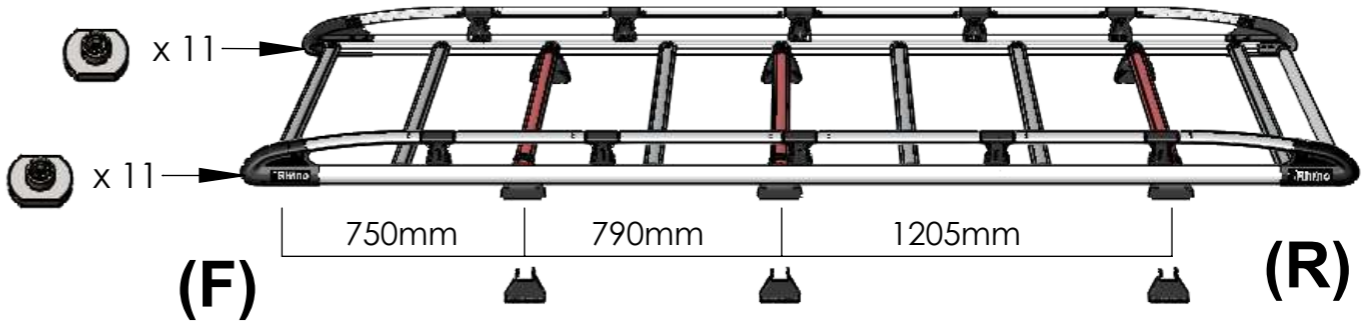
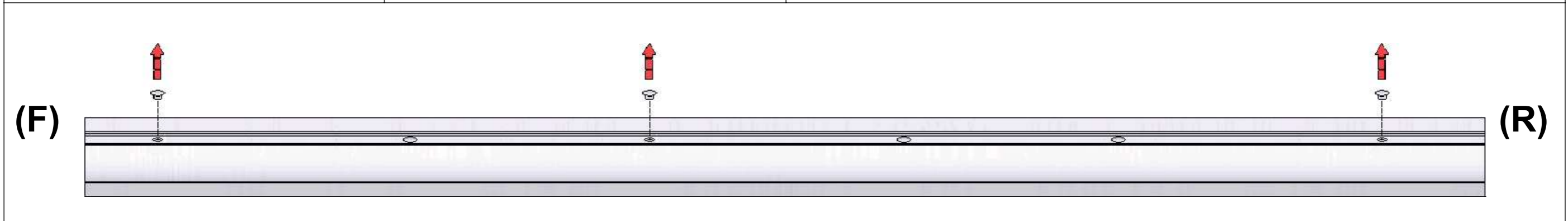

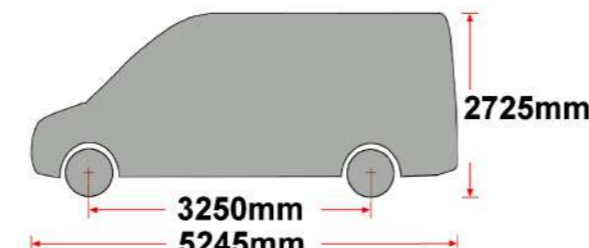
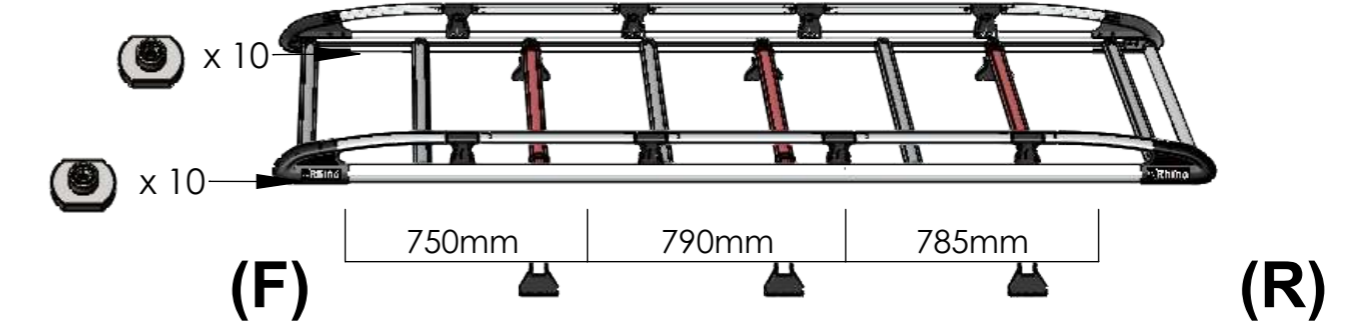
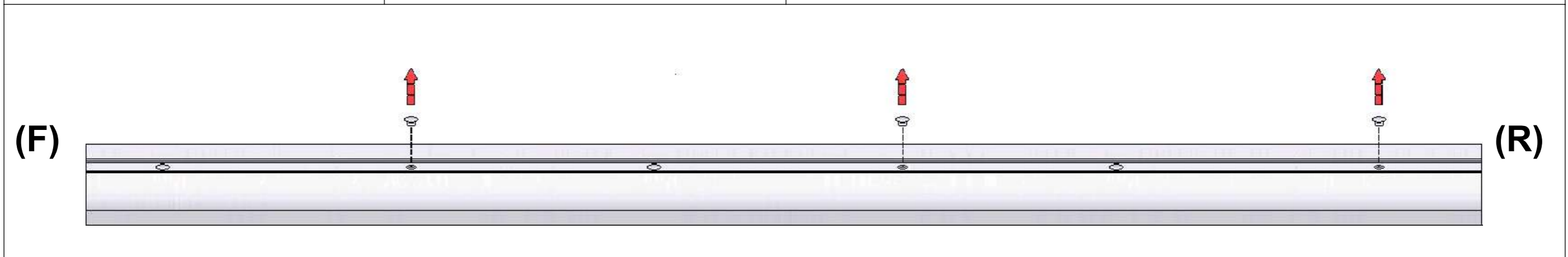


ALUMINIUM RACK - TYPE DESIGNATION FORM I

<p>AH517</p>  <p>42kg + xx kg = Max. 150kg</p>	<p>SPRINTER/CRAFTER 2006-L1, H1, TWIN DOORS</p>  <p>2435mm 3250mm 5245mm</p>	 <p>x 11 x 11 750mm 790mm 1205mm (F) (R)</p>
----------------------------------------------------------------------------------------------------------------------------------------	-------------------------------------------------------------------------------------------------------------------------------------------------------------------------------	-----------------------------------------------------------------------------------------------------------------------------------------------------------



<p>AH518</p>  <p>39kg + xx kg = Max. 150kg</p>	<p>SPRINTER/CRAFTER 2006-L1, H2, TWIN DOORS</p>  <p>2725mm 3250mm 5245mm</p>	 <p>x 10 x 10 750mm 790mm 785mm (F) (R)</p>
------------------------------------------------------------------------------------------------------------------------------------------	---------------------------------------------------------------------------------------------------------------------------------------------------------------------------------	------------------------------------------------------------------------------------------------------------------------------------------------------------





EXT09-004 x 6



MS168 x 6



PS095 x 6



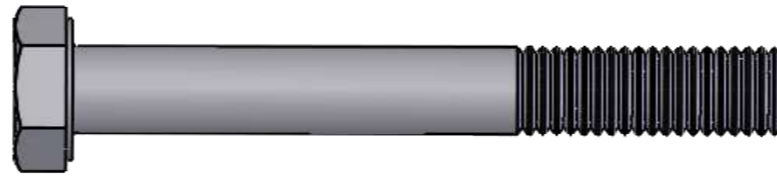
PS089 x 1



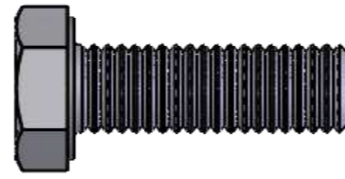
PS090 x 1



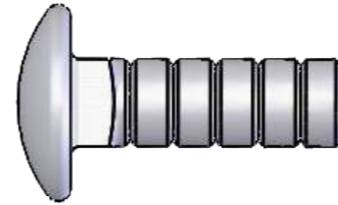
PS023 x 6



FB012 (M8 x 65) x 12



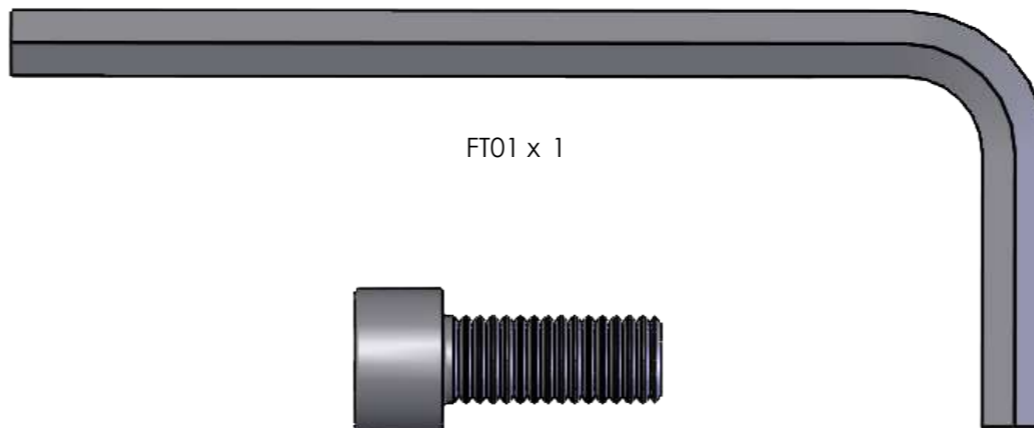
FS062 (M8 x 25) x 6



FS064 (M8 x 25) x 6



FS059 (M8 x 25) x 22

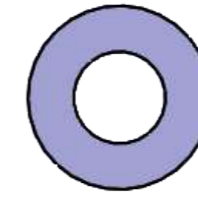


FT01 x 1



FS074 (M8 x 20) x 4

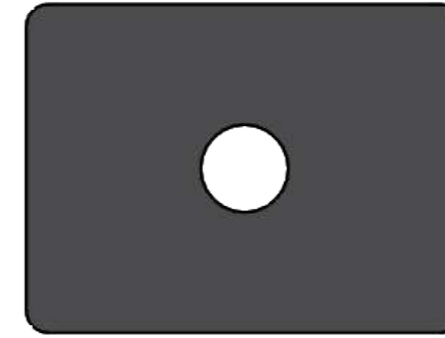
(1:1)



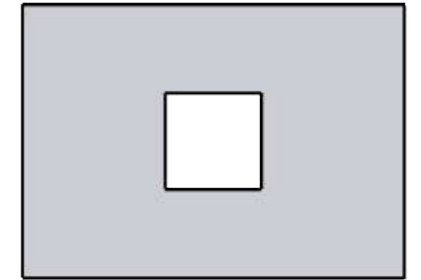
FW037 (M8) x 24



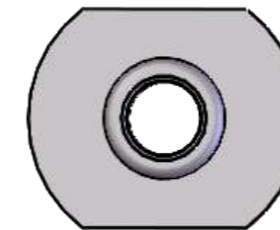
FN006 (M8) x 18



PS020 x 6



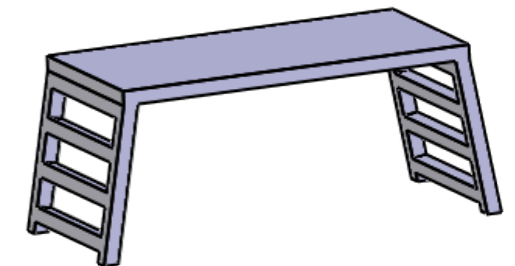
MS209 x 6

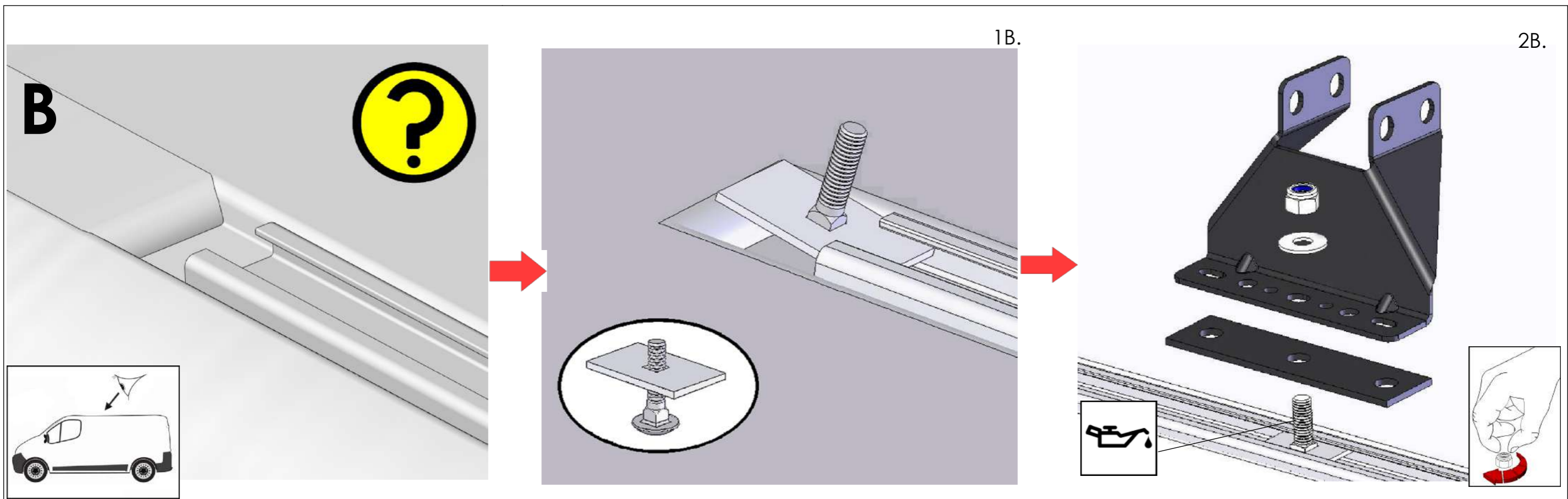
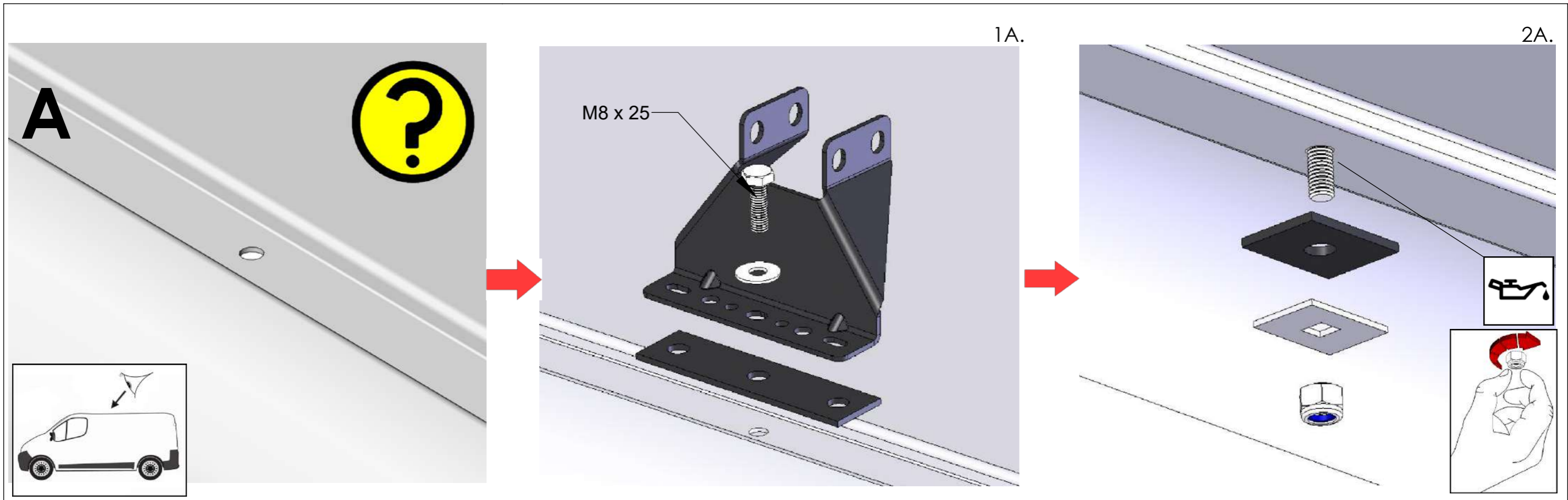


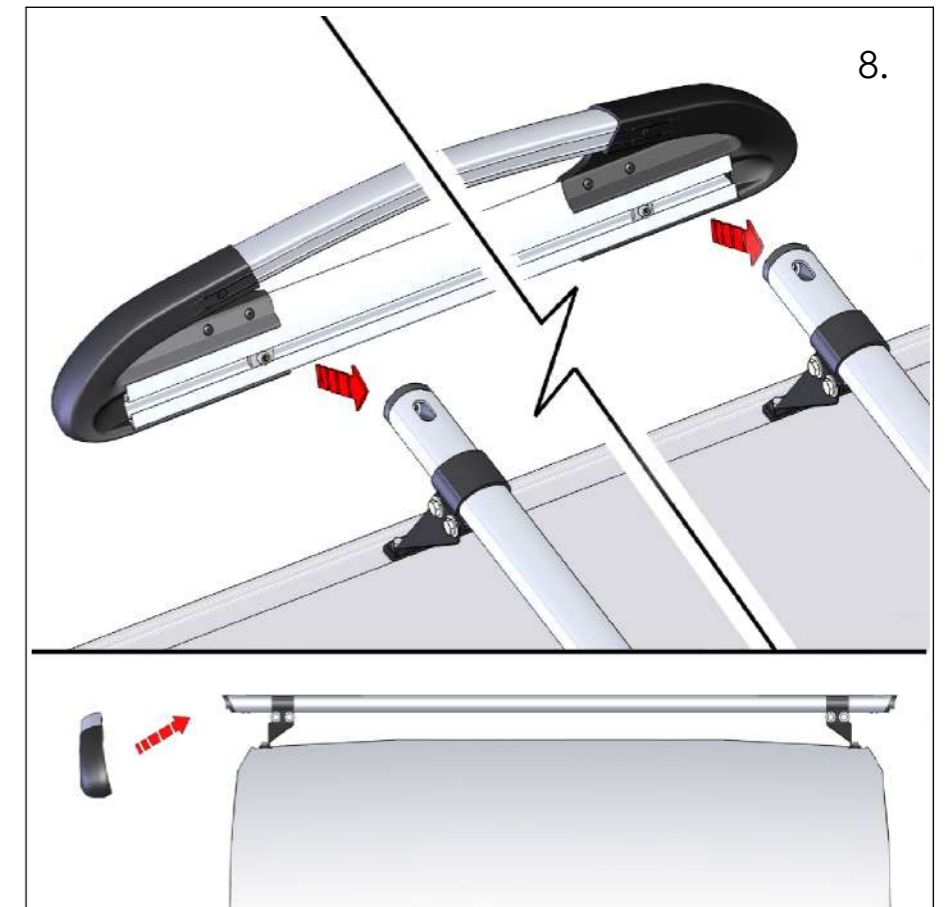
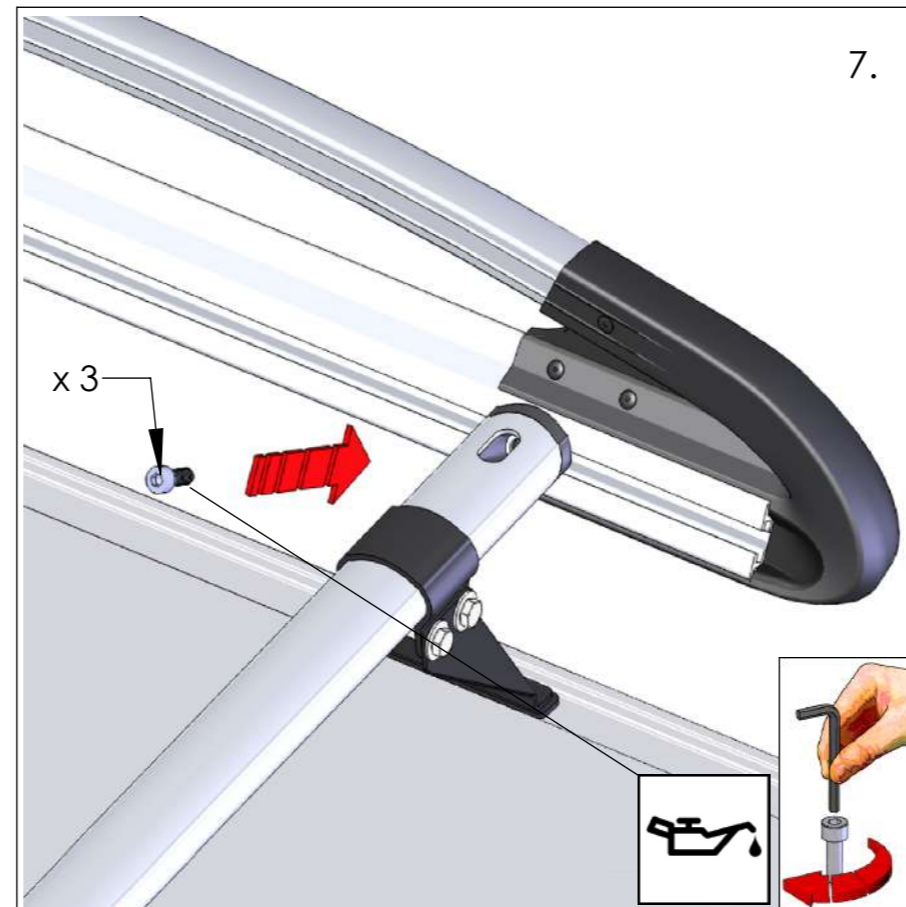
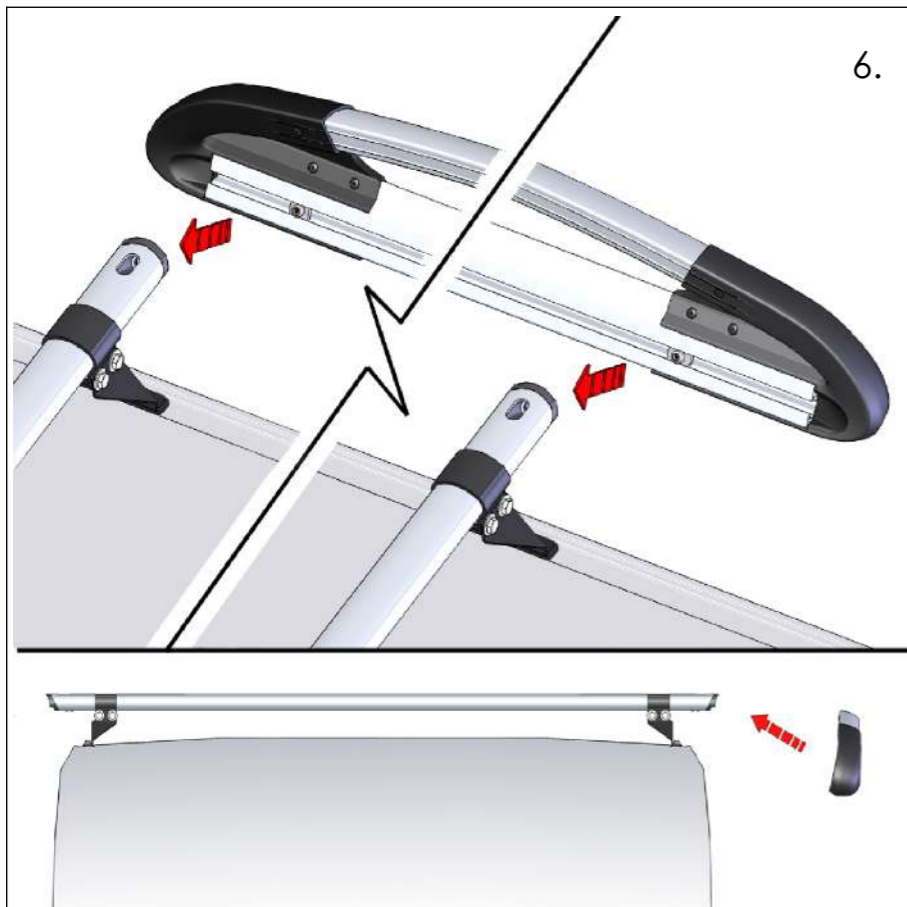
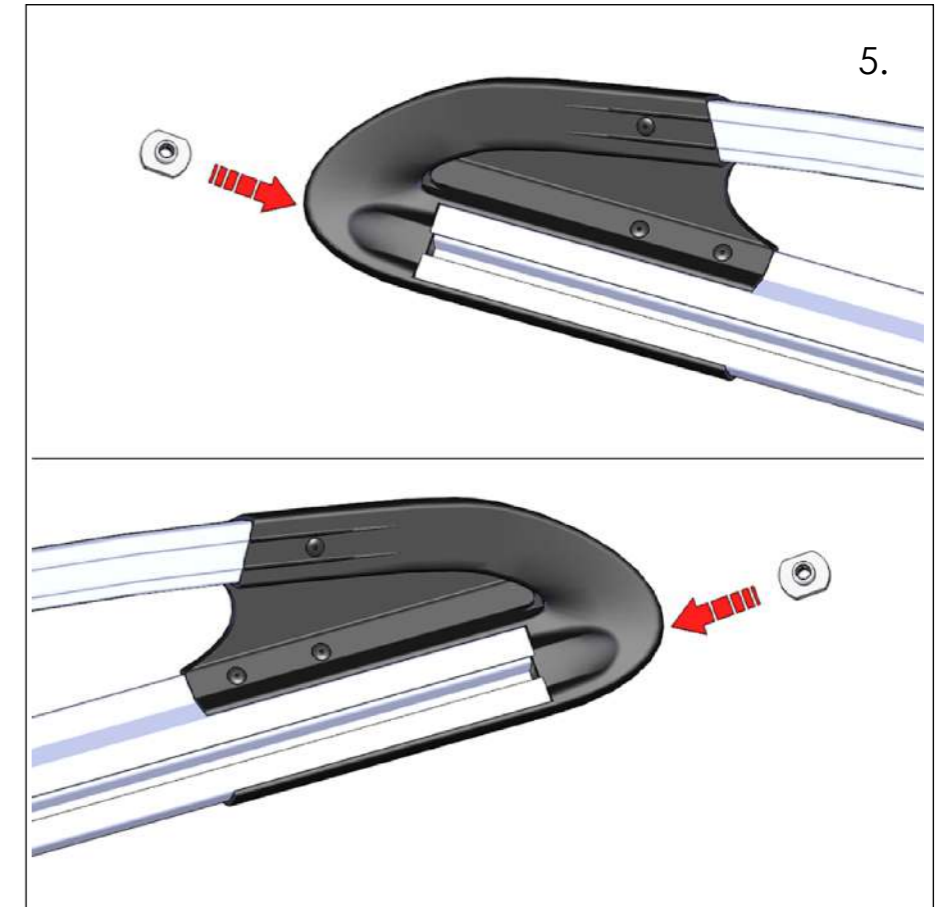
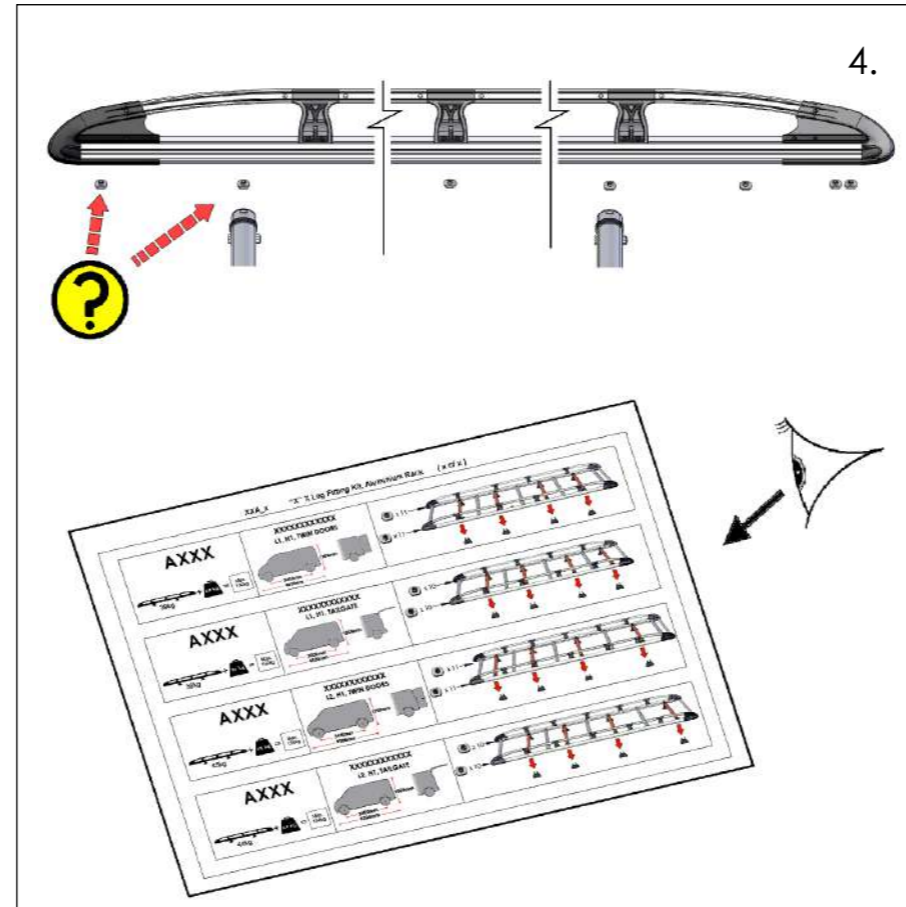
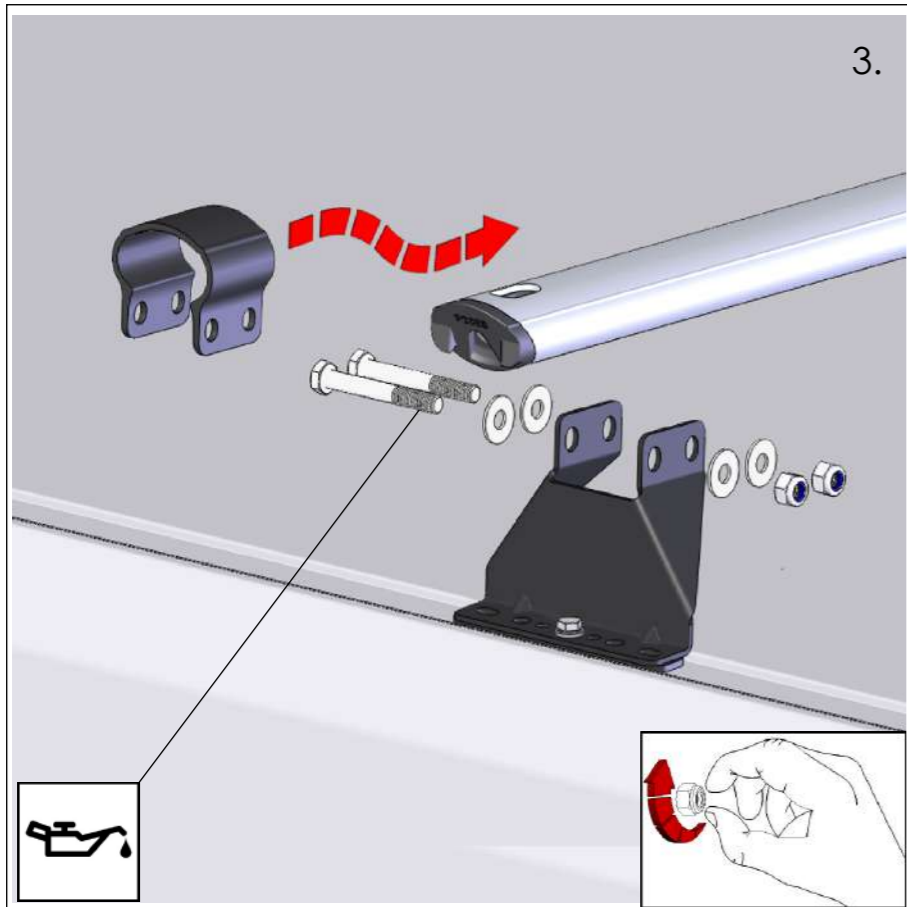
FN023 (M8) x 22

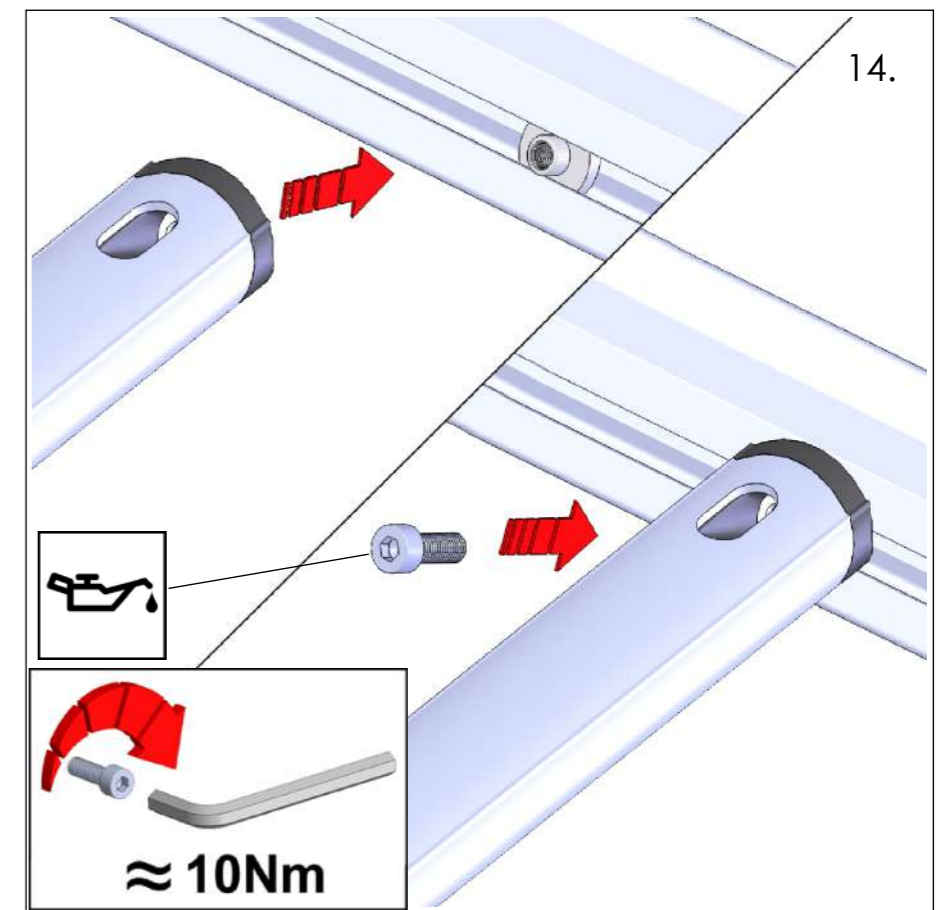
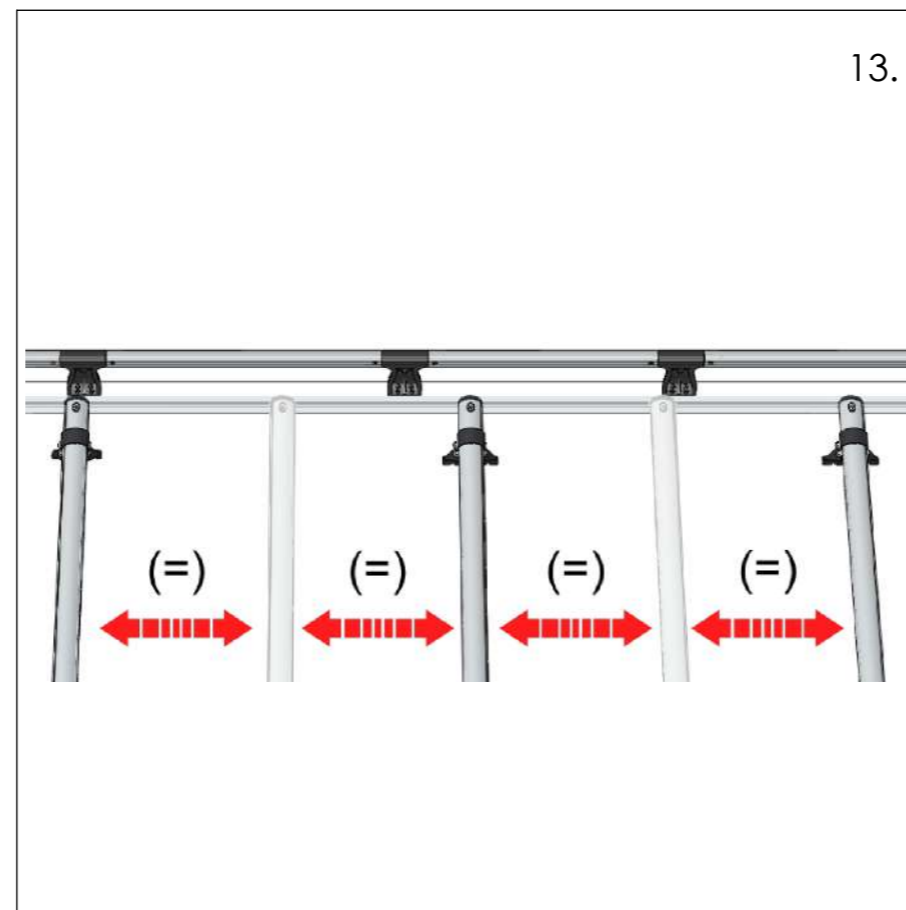
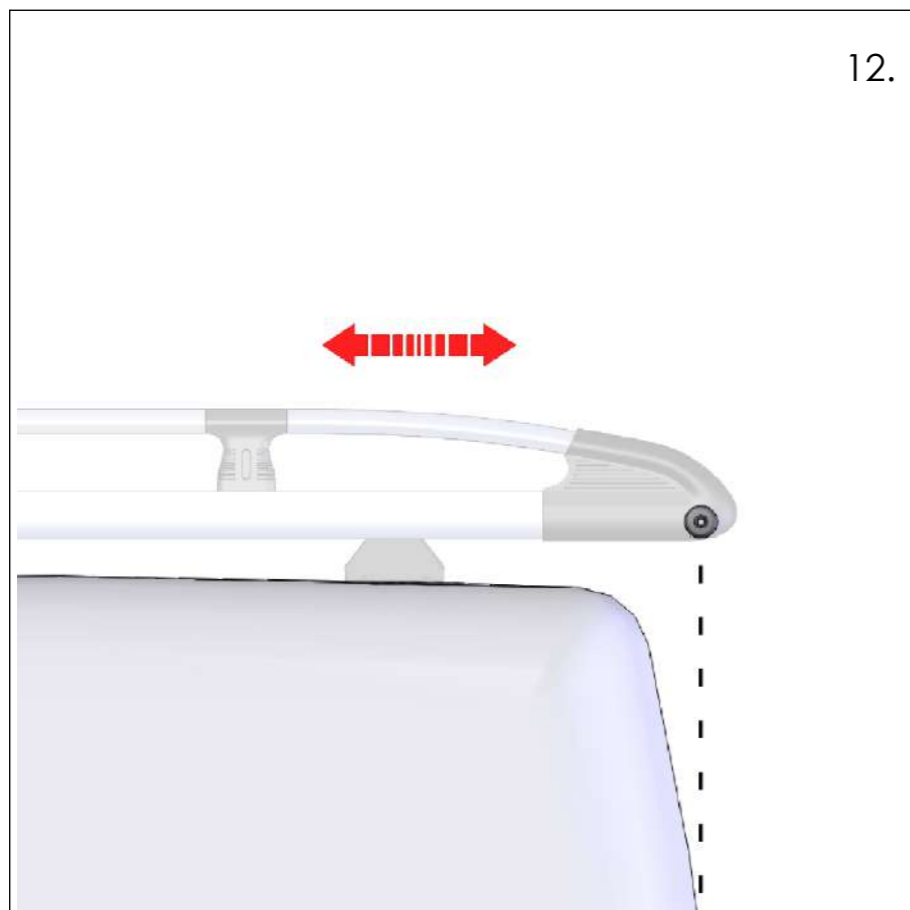
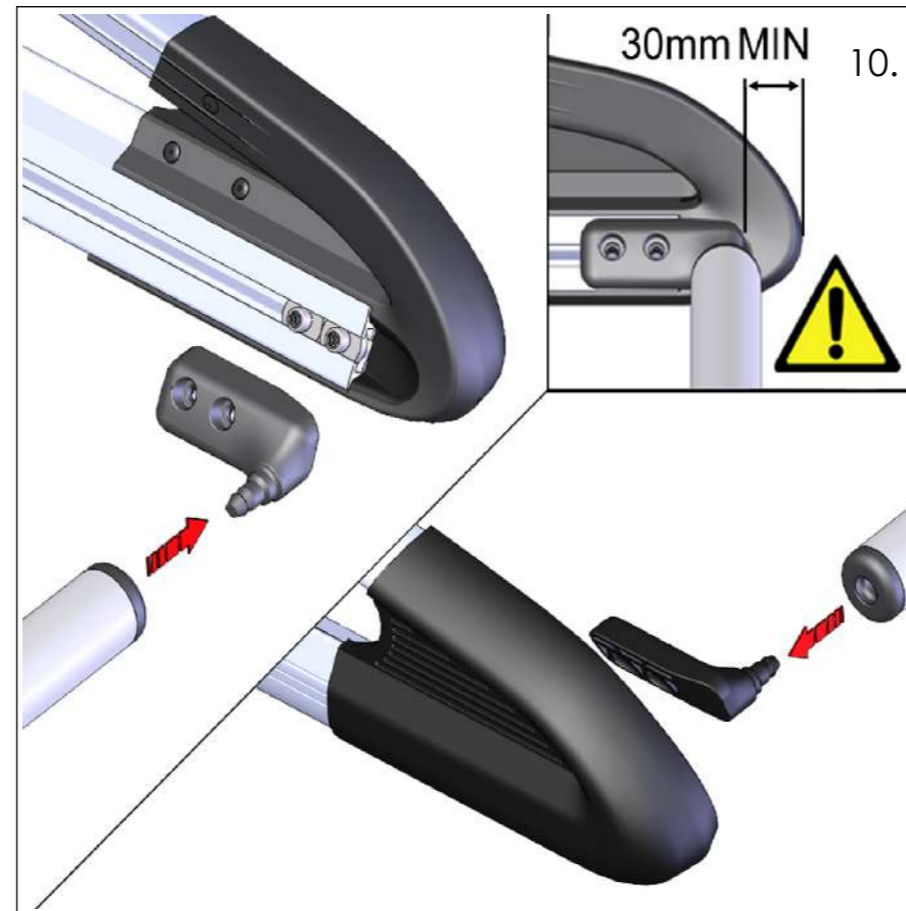
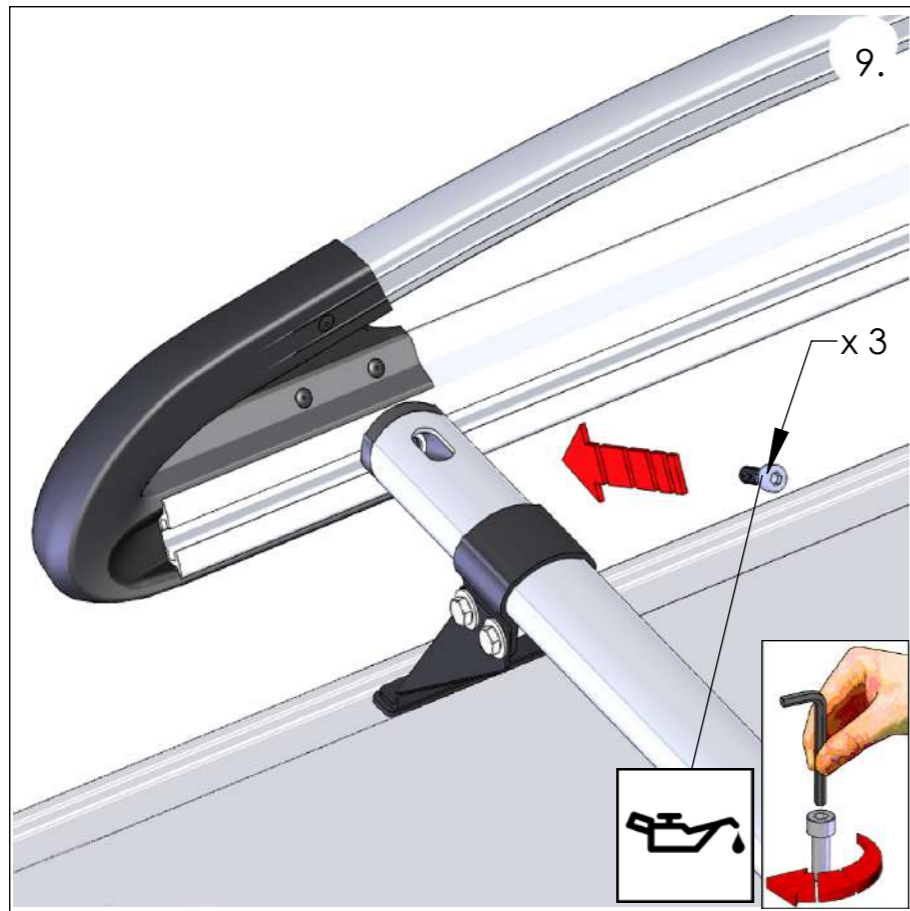


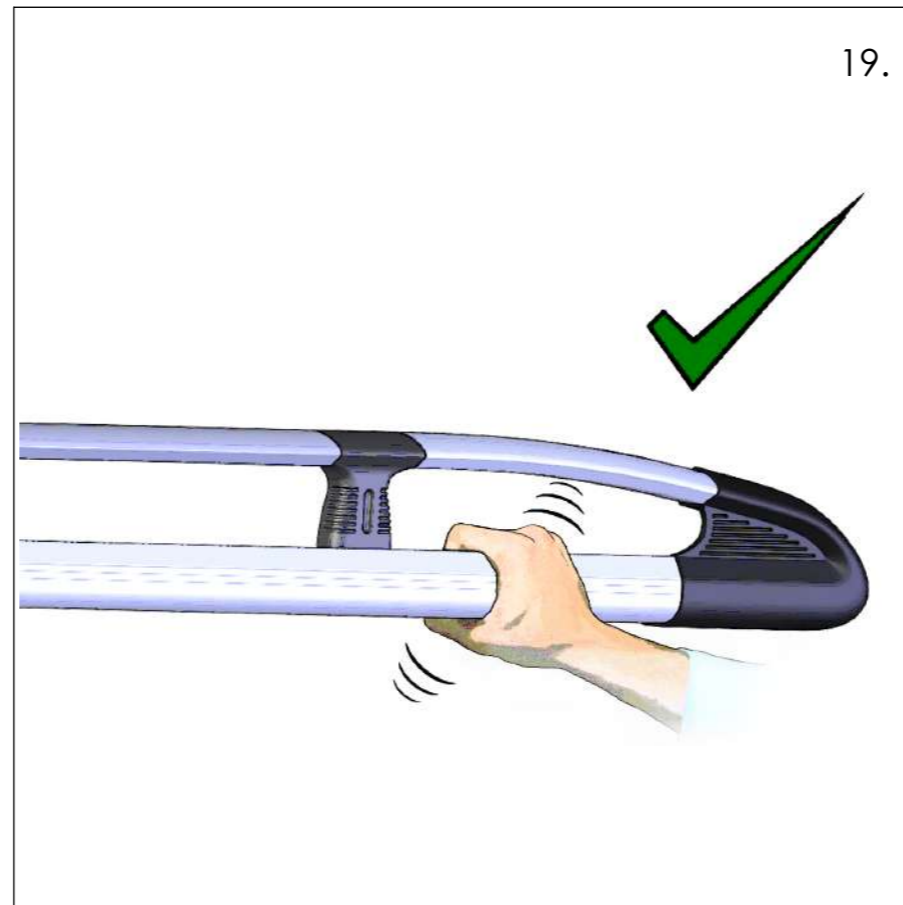
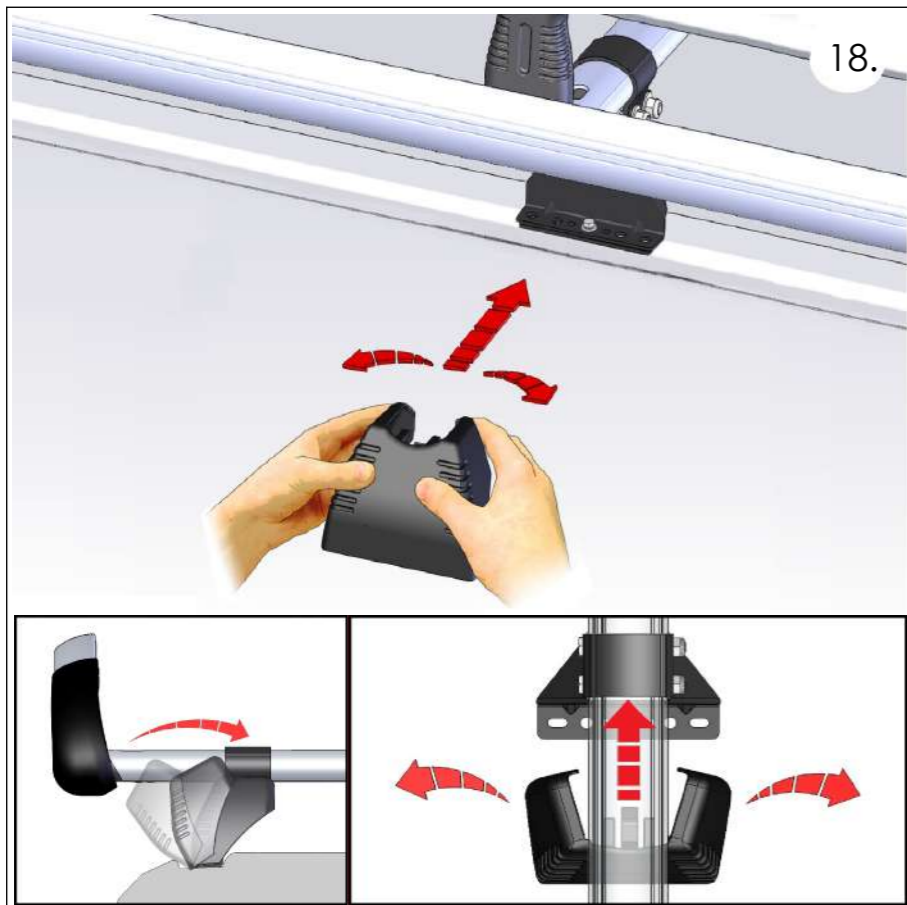
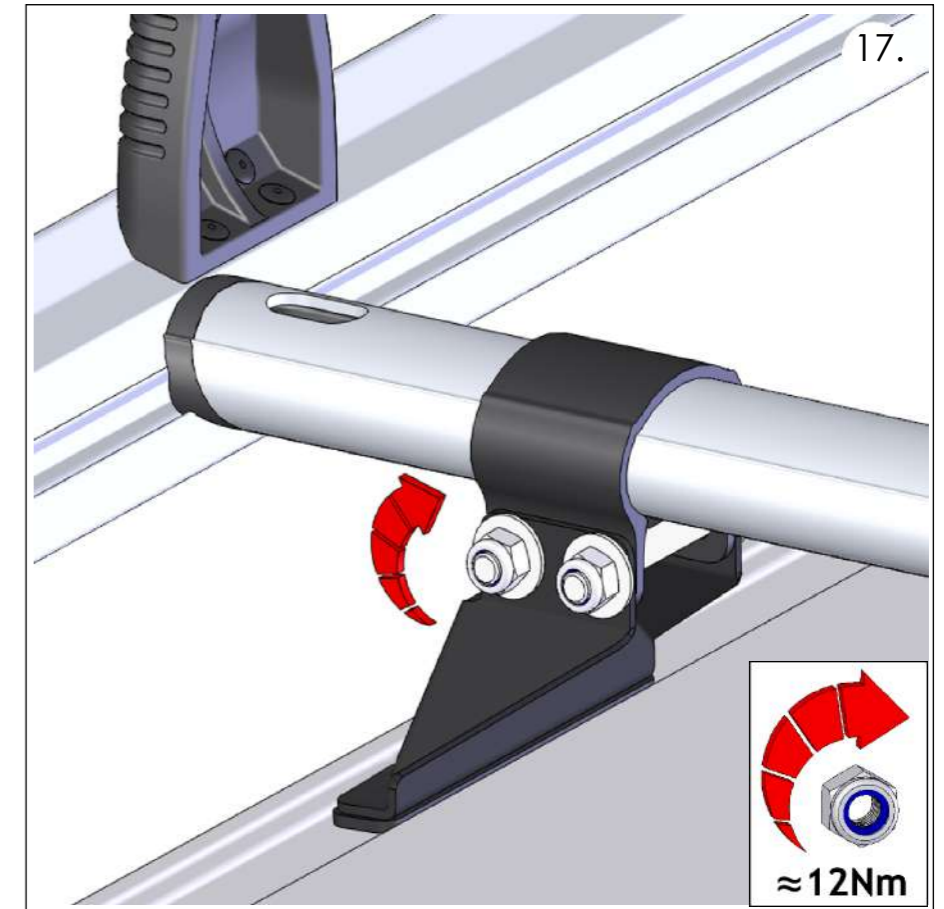
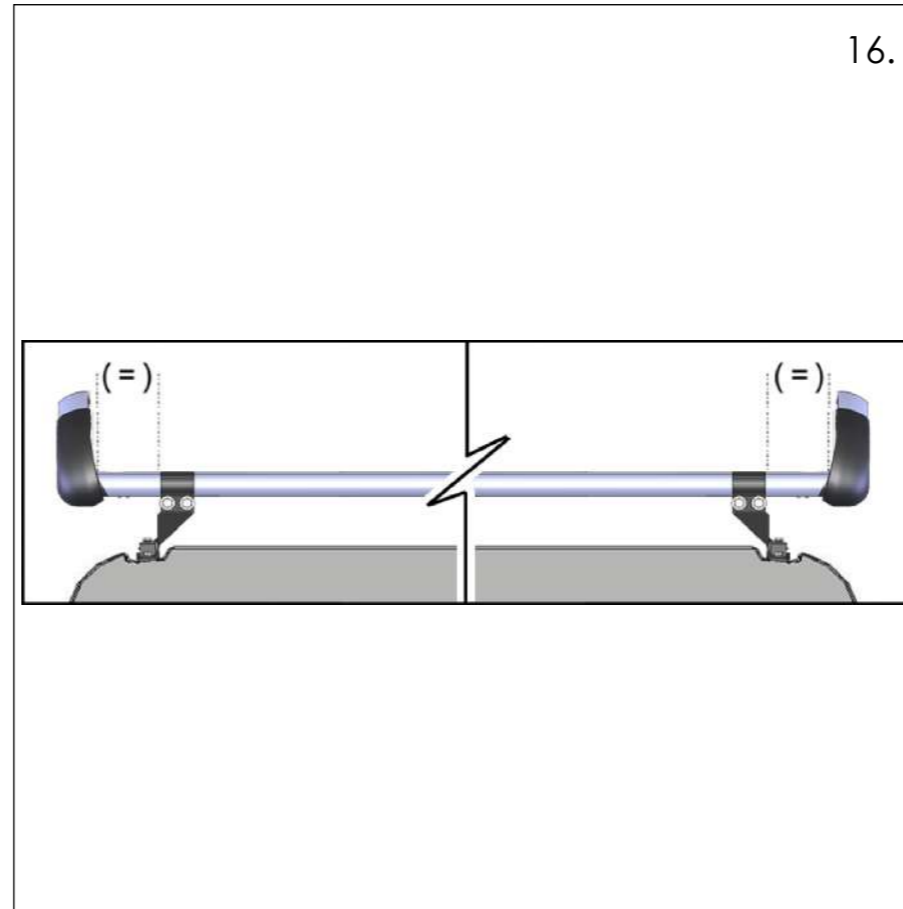
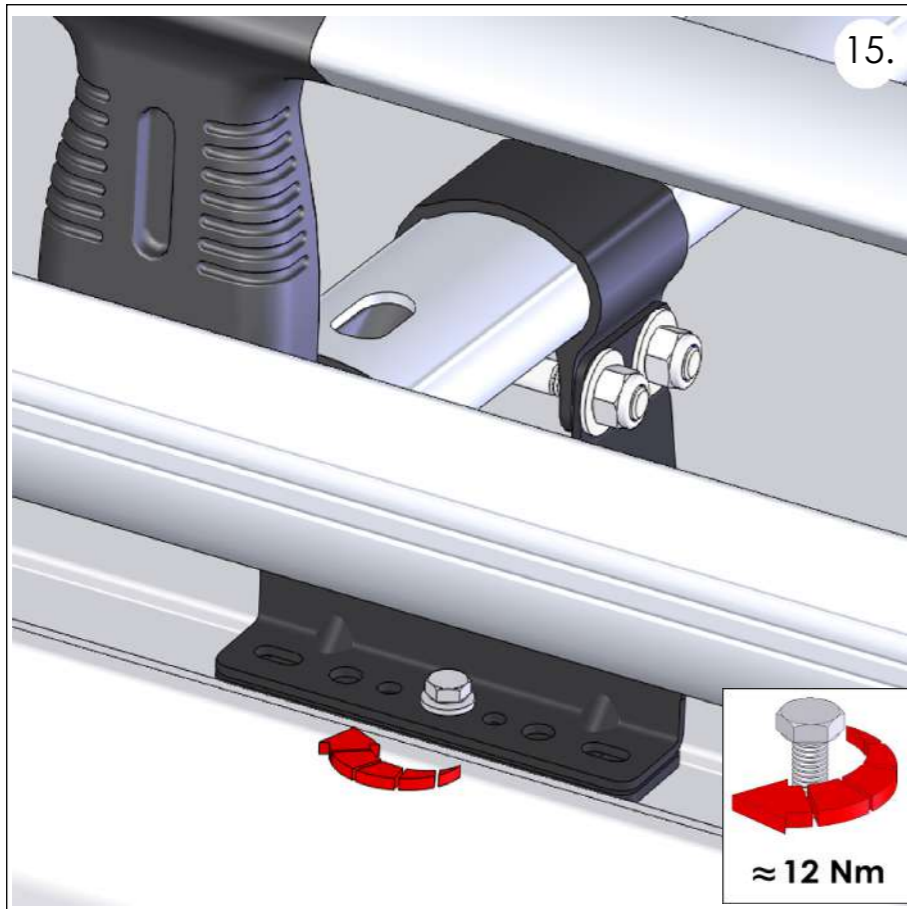
13mm x 2

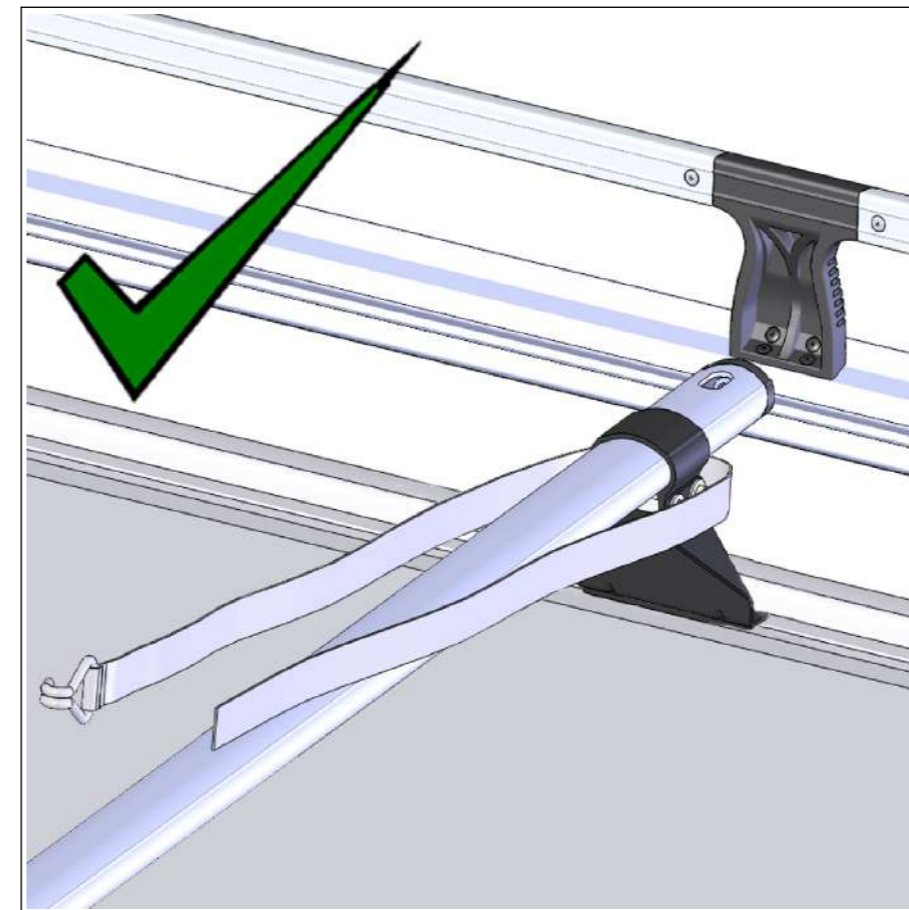
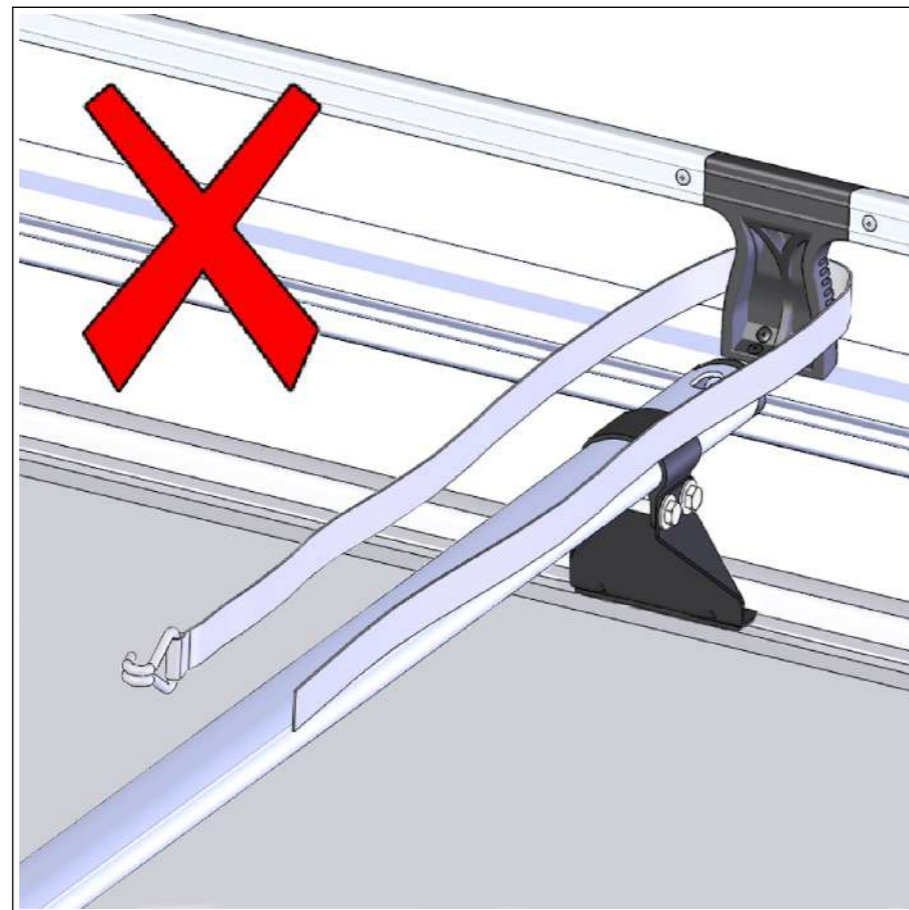
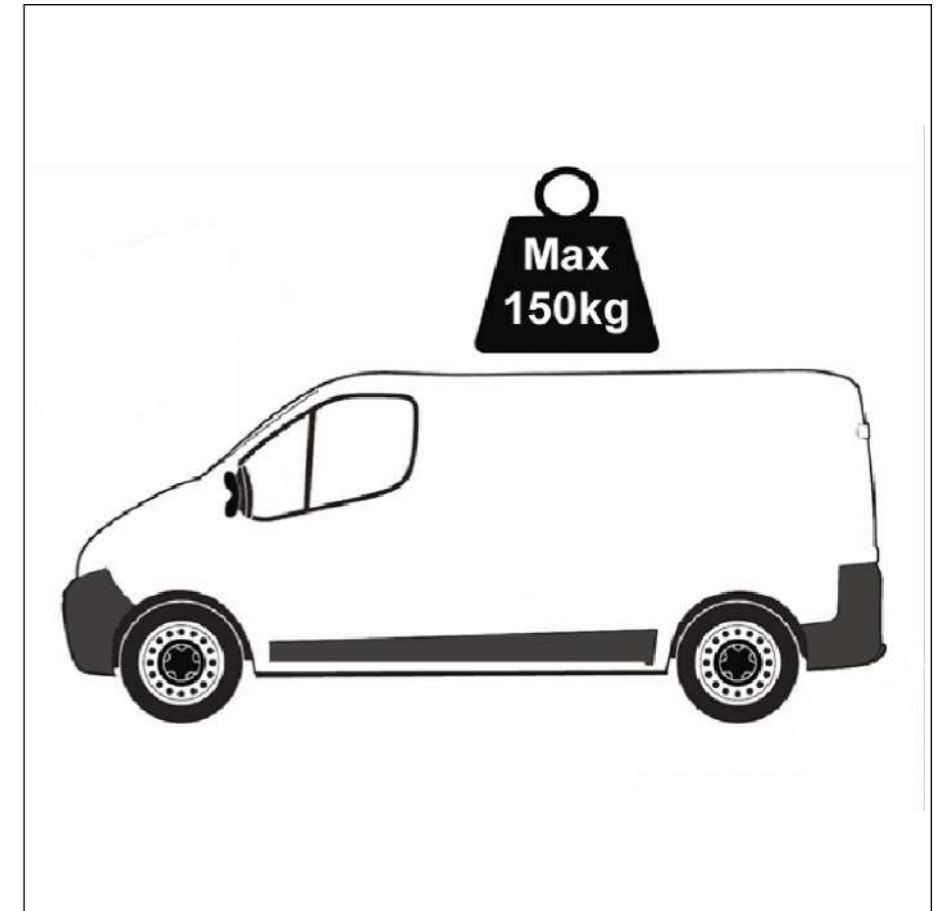
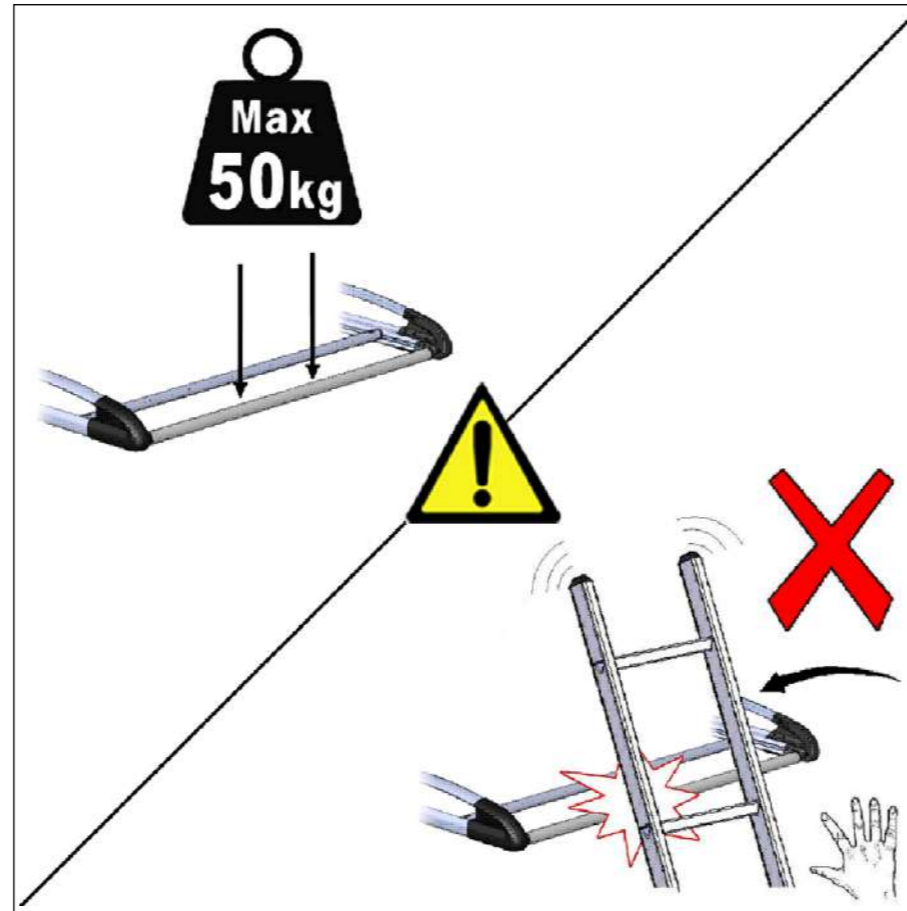
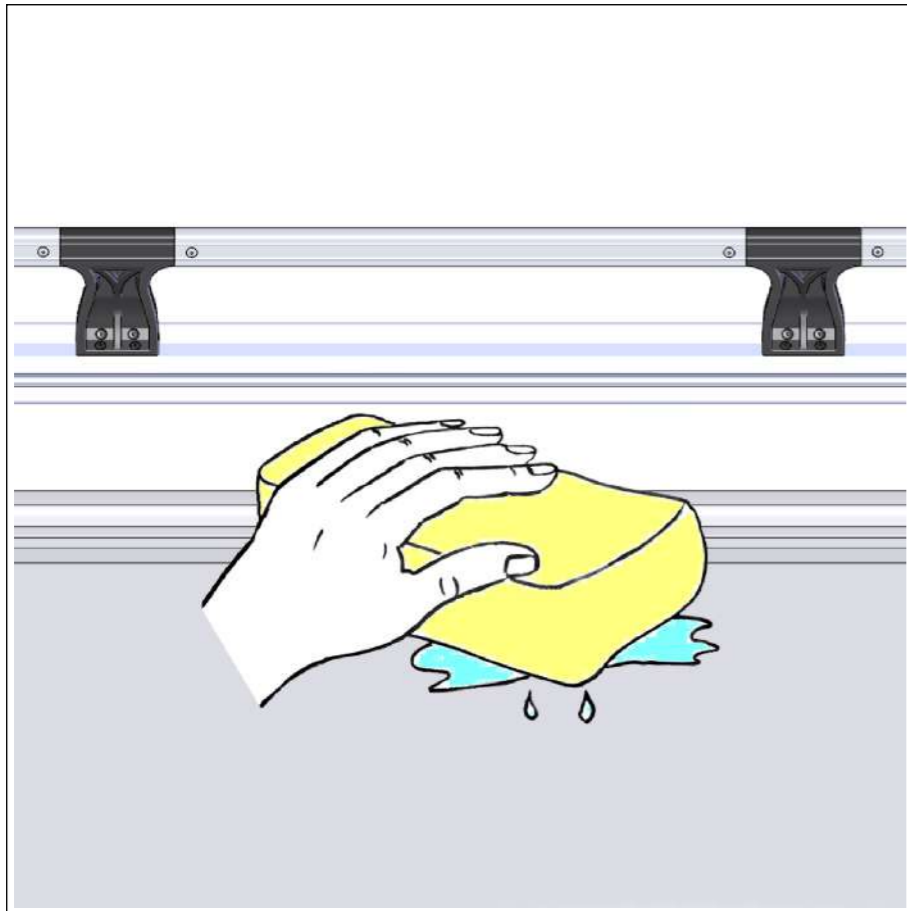










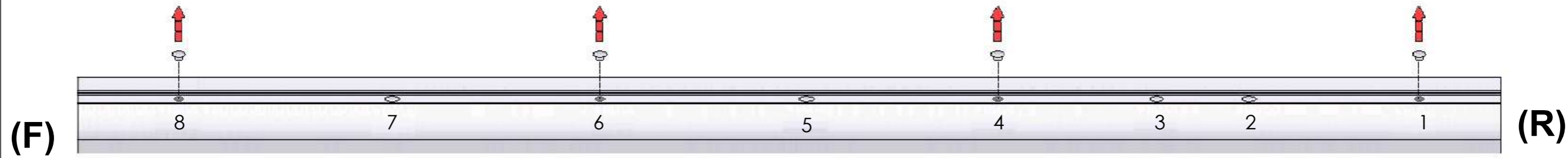
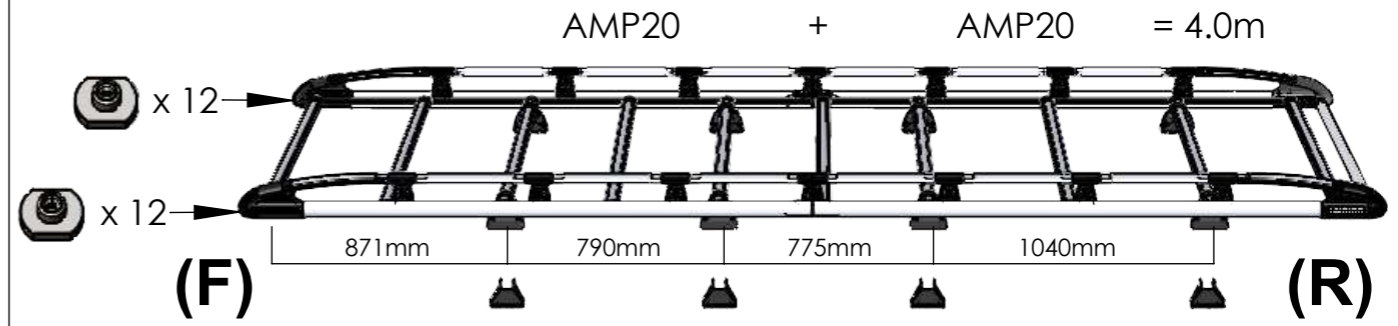
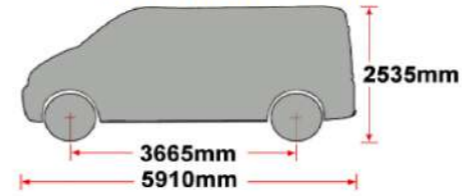


ALUMINIUM RACK - TYPE DESIGNATION FORM I

AH519



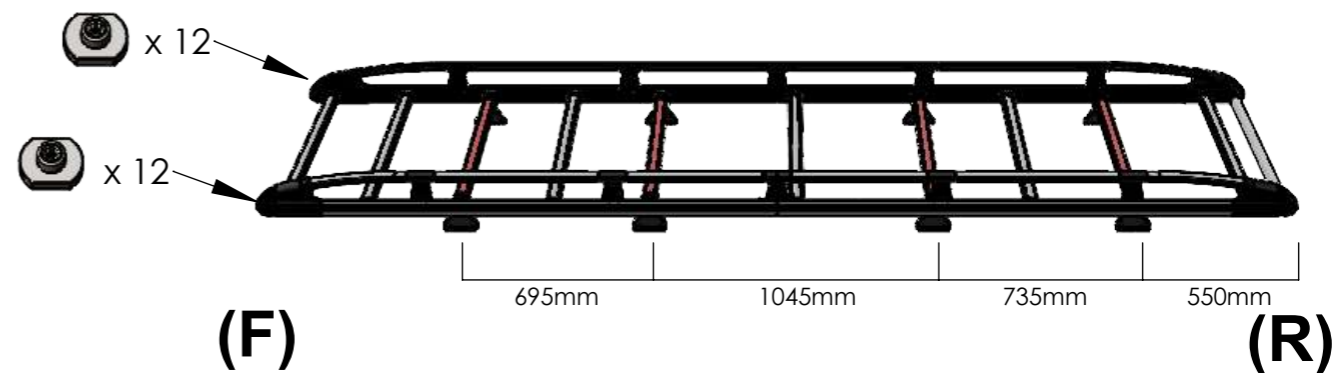
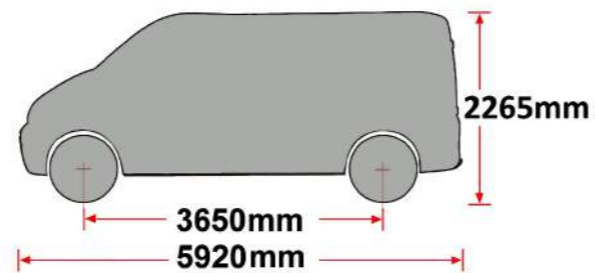
SPRINTER/CRAFTER 2006-
L2, H1, TWIN DOORS
SPRINTER/CRAFTER 2006-
L2, H1, TWIN DOORS



AH668



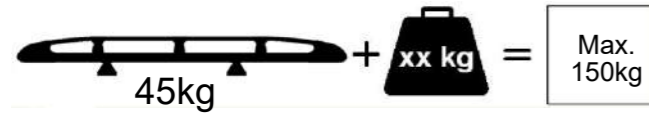
CRAFTER / TGE 2017-
L3, H2, TWIN DOORS



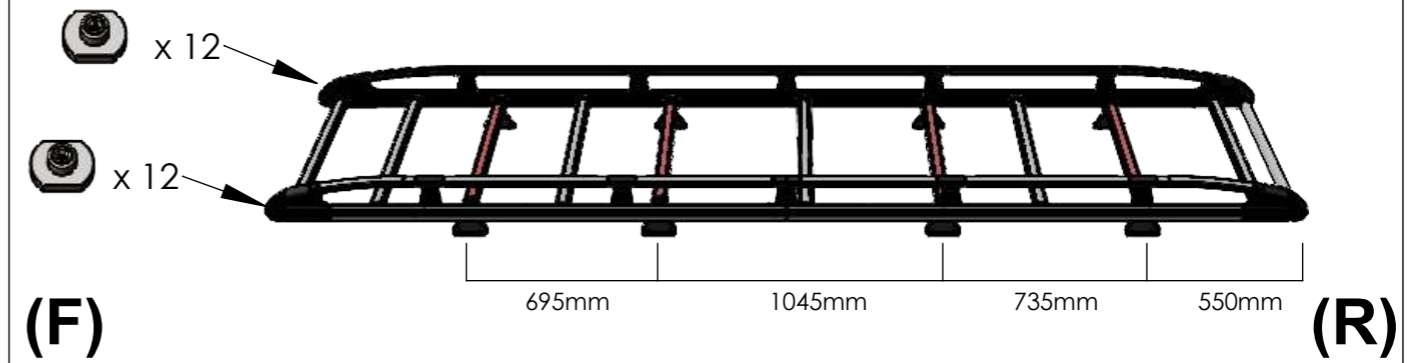
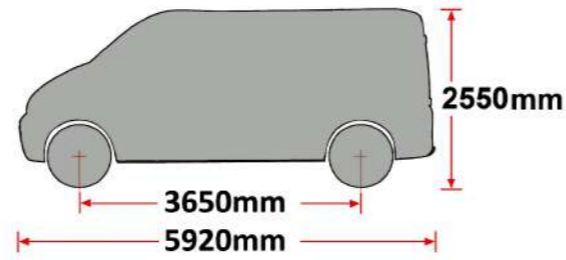
T-TRACK ROOF ONLY!



AH668



CRAFTER / TGE 2017- L3, H3, TWIN DOORS



T-TRACK ROOF ONLY!

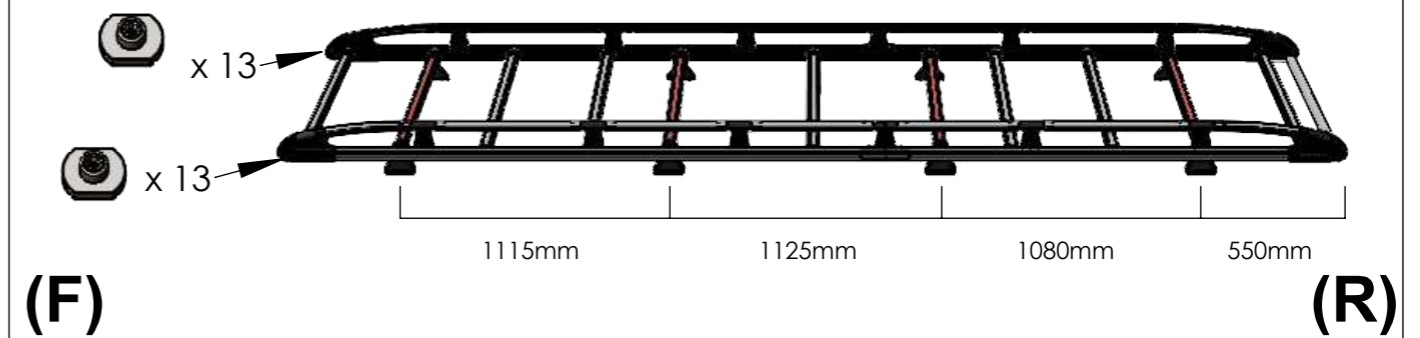
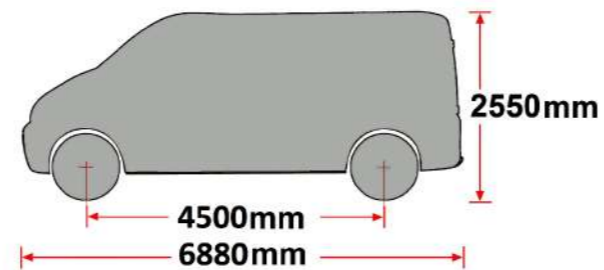
(F)

(R)

AH669



CRAFTER / TGE 2017- L4, H3, TWIN DOORS



T-TRACK ROOF ONLY!

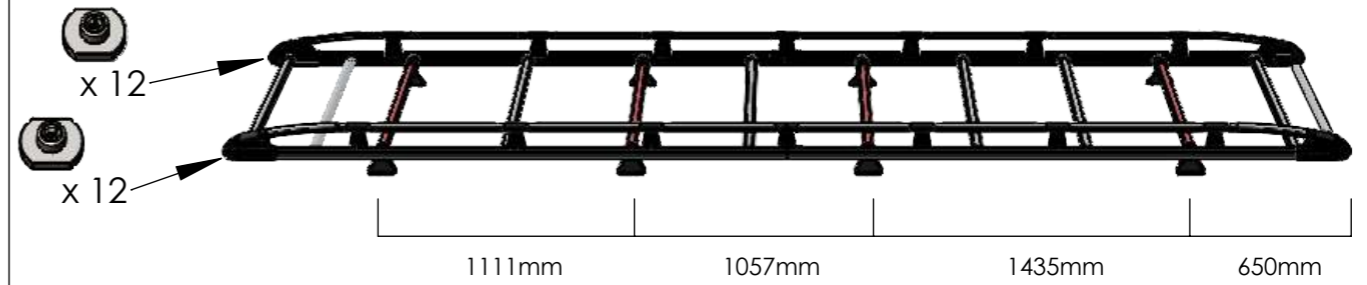
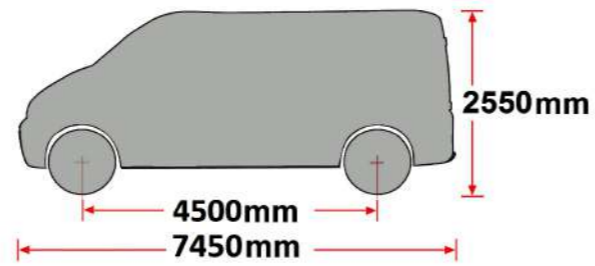
(F)

(R)

AH671



**CRAFTER / TGE 2017-
L5, H3, TWIN DOORS**



(F)

(R)

T-TRACK ROOF ONLY!

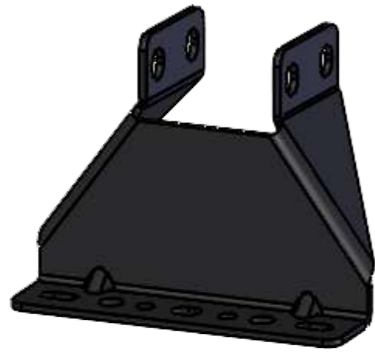


(F)

(R)



EXT09-004 x 8



MS168 x 8



PS095 x 8



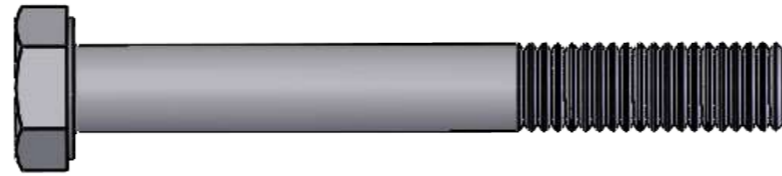
PS089 x 1



PS090 x 1



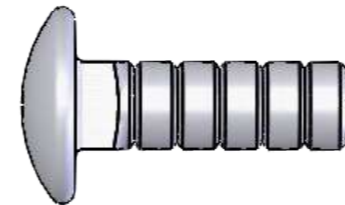
PS023 x 8



FB012 (M8 x 65) x 16



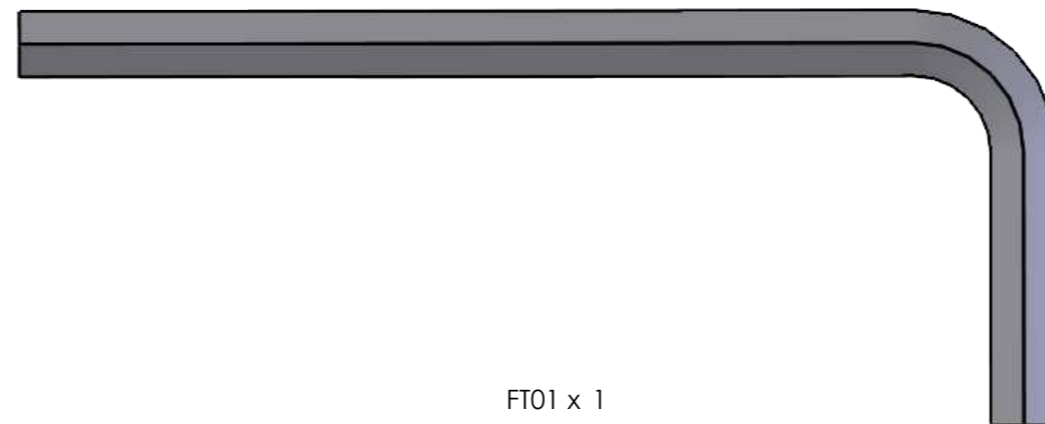
FS062 (M8 x 25) x 8



FS064 (M8 x 25) x 8

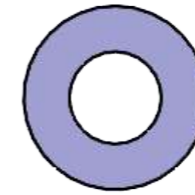


FS059 (M8 x 25) x 32



FT01 x 1

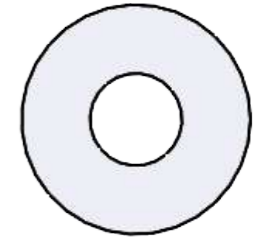
(1:1)



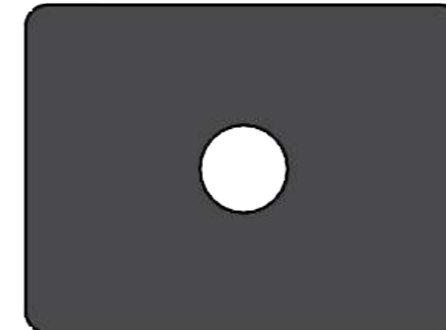
FW037 (M8) x 32



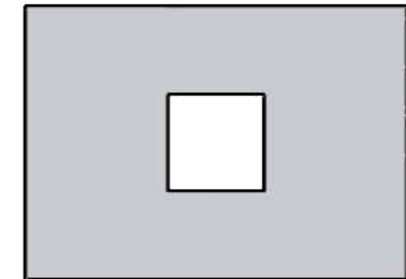
FN006 (M8) x 26



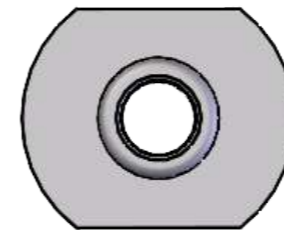
FW002 (M8) x 8



PS020 x 8



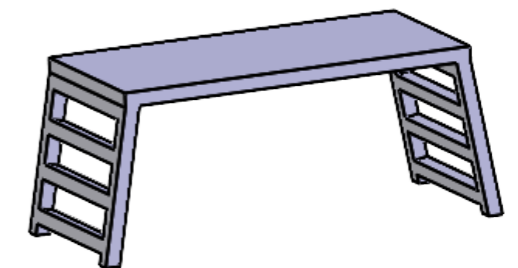
MS209 x 8

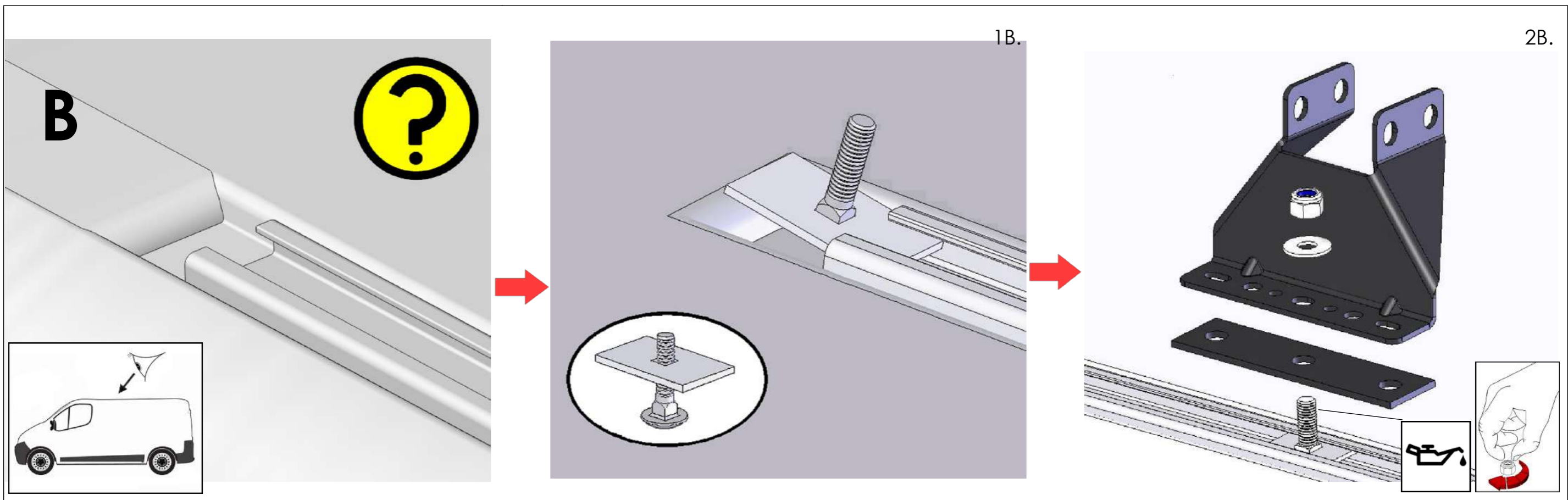
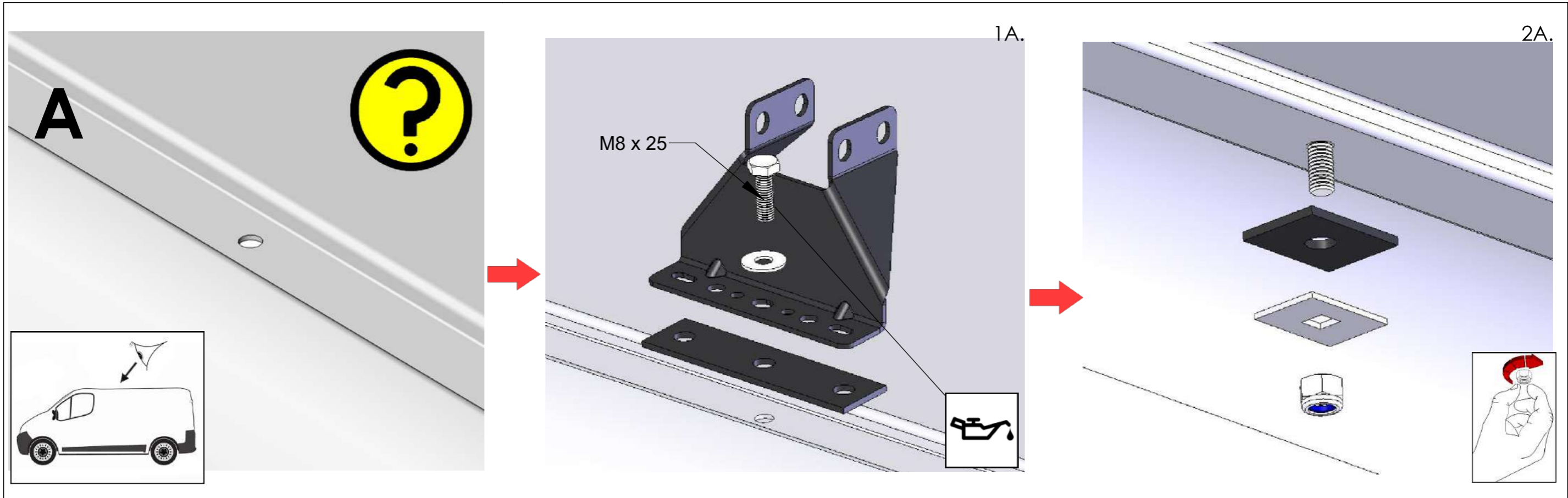


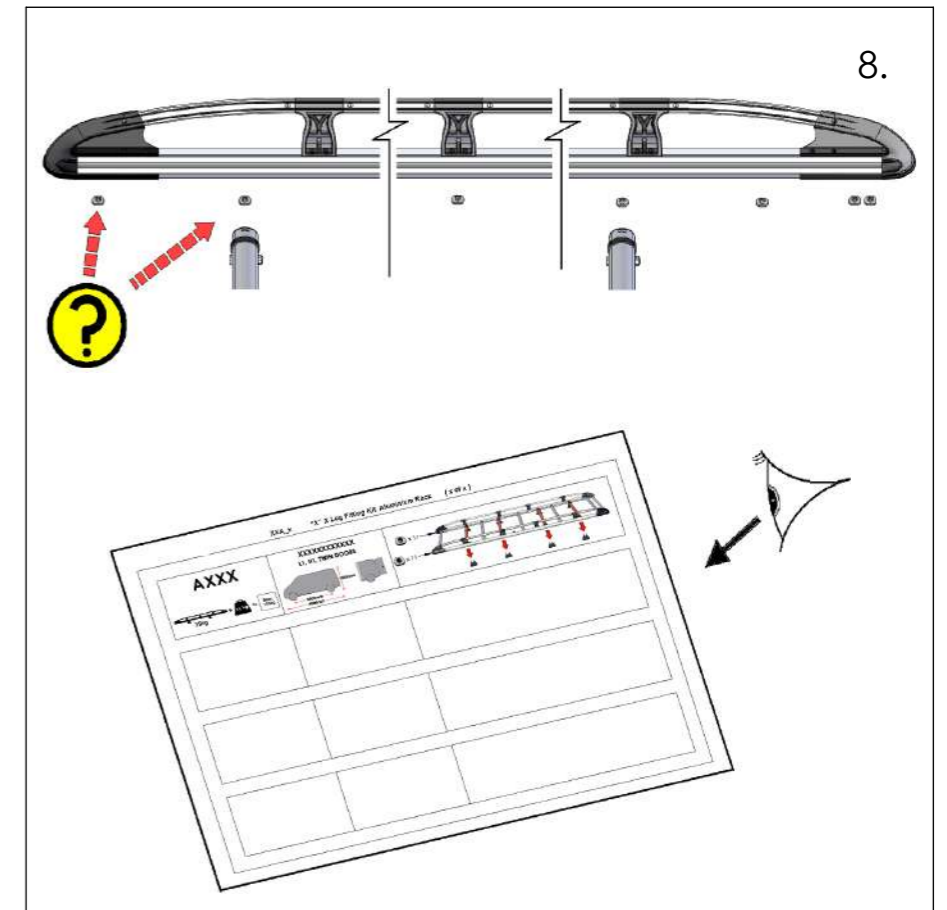
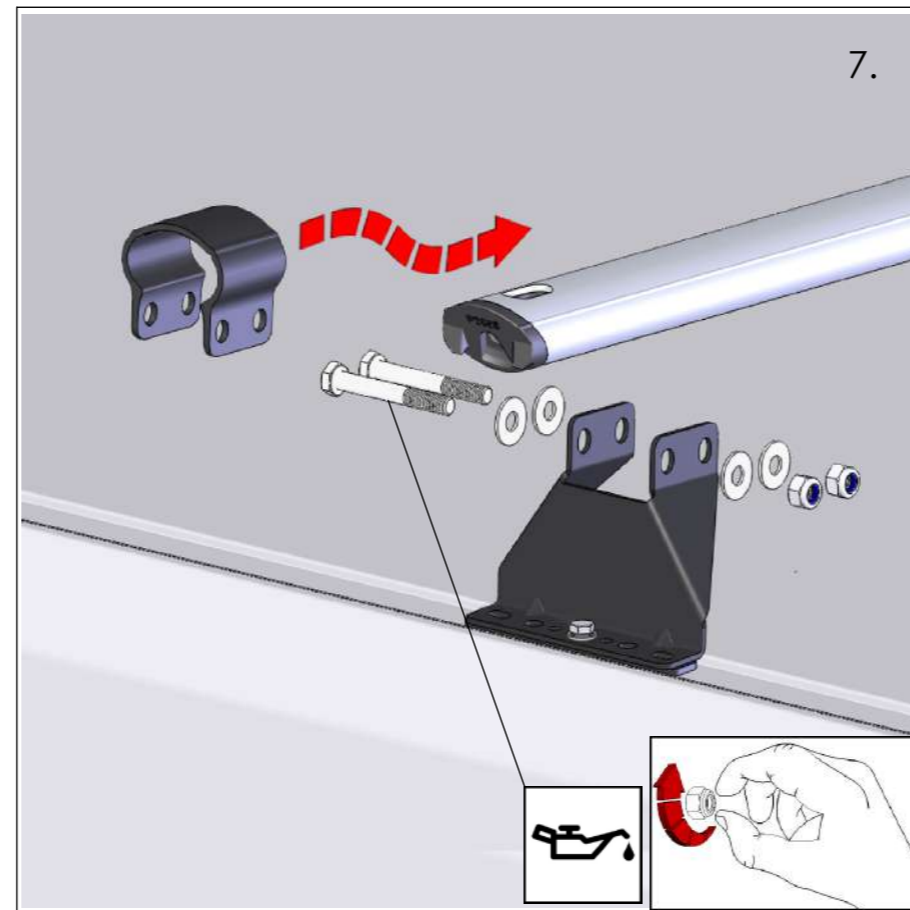
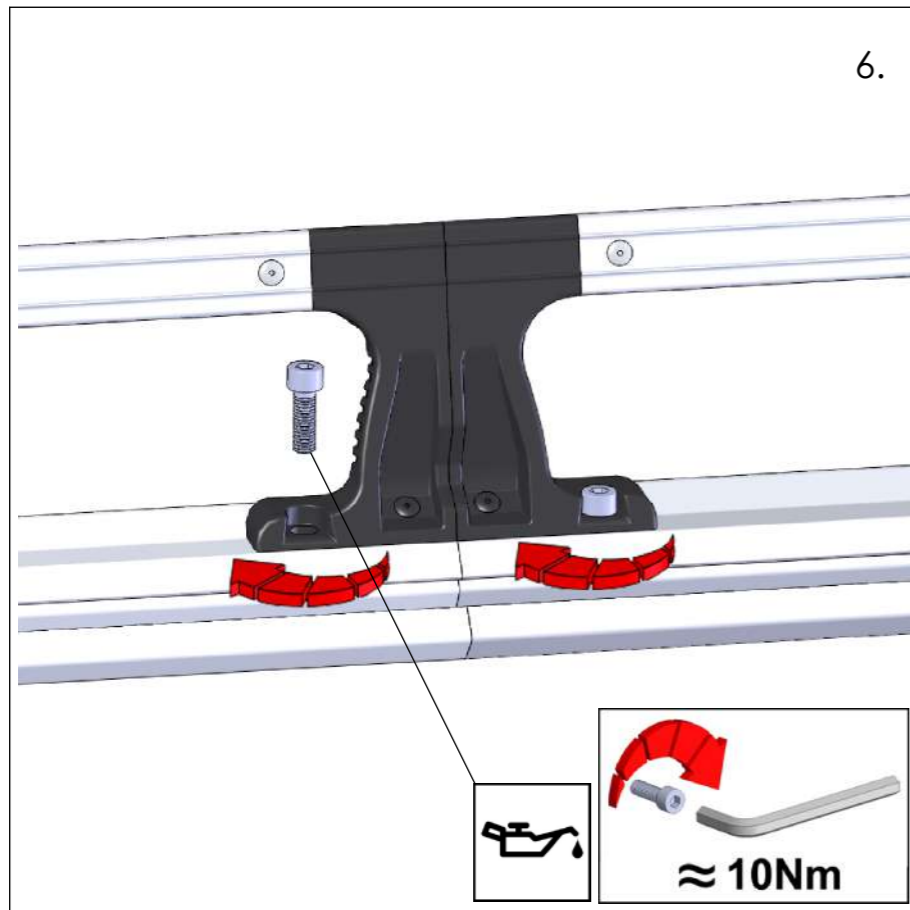
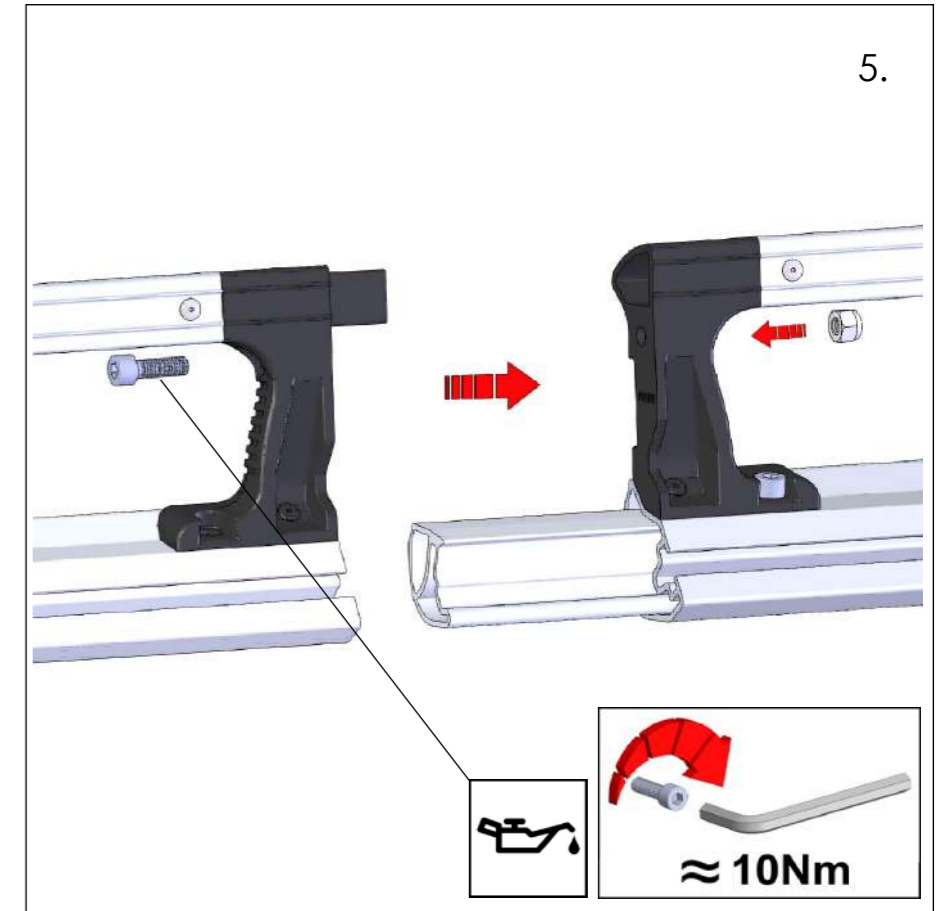
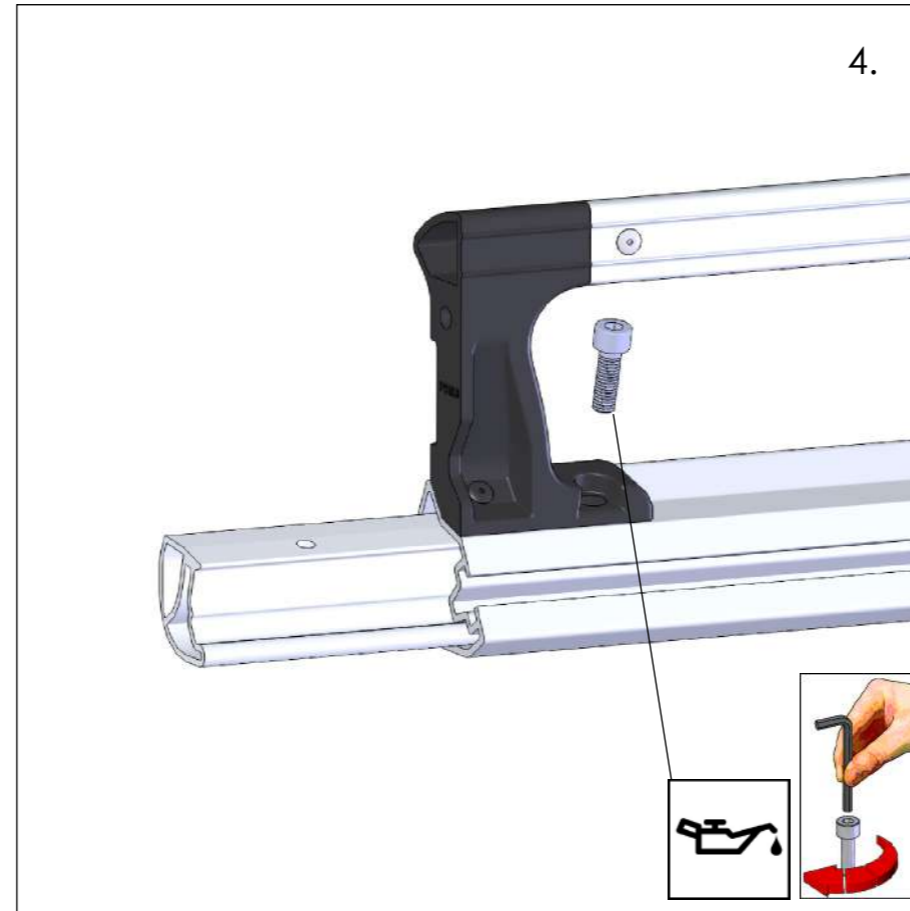
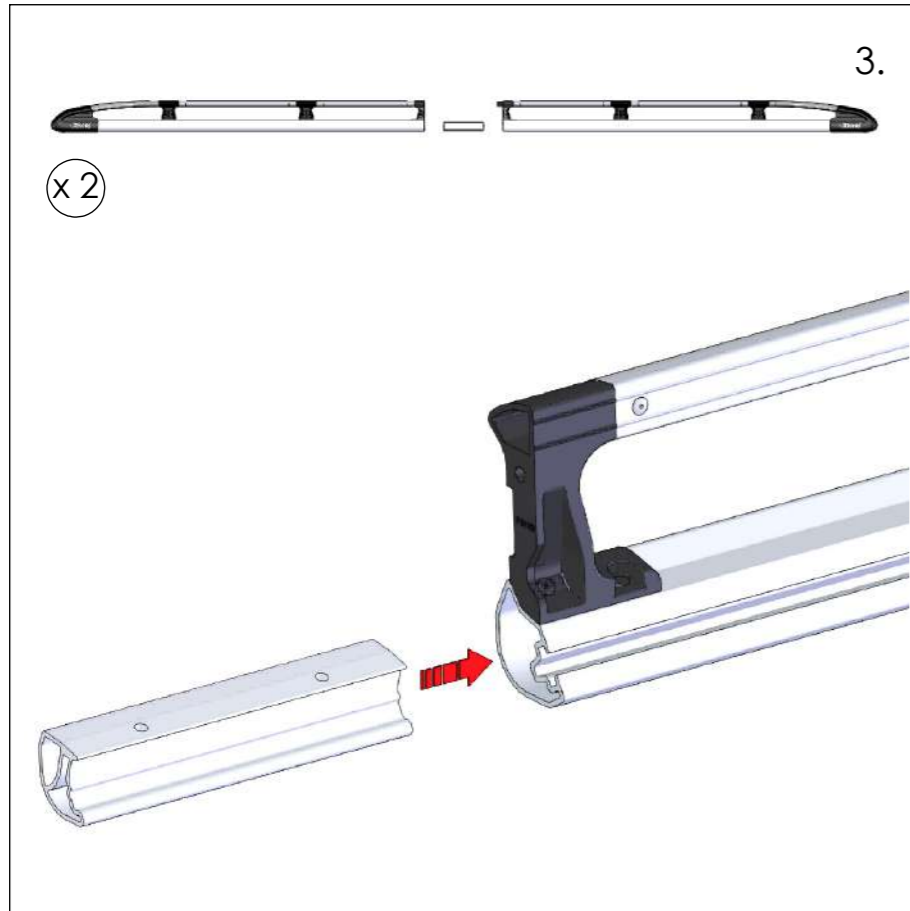
FN023 (M8) x 26

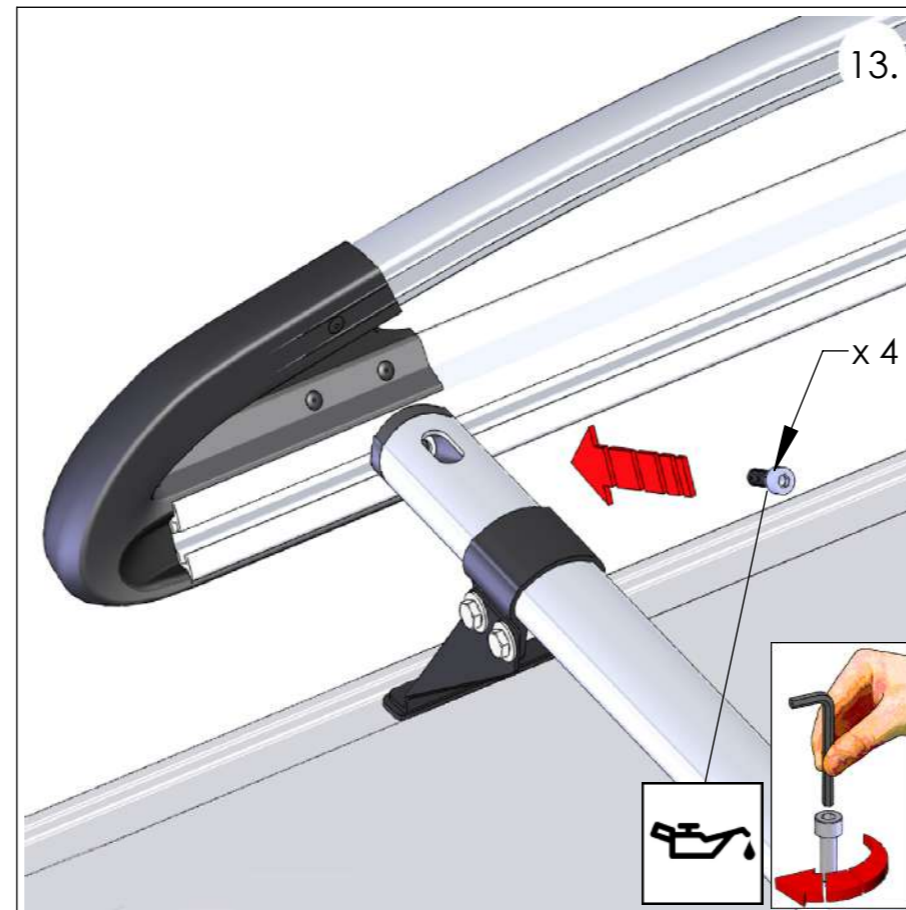
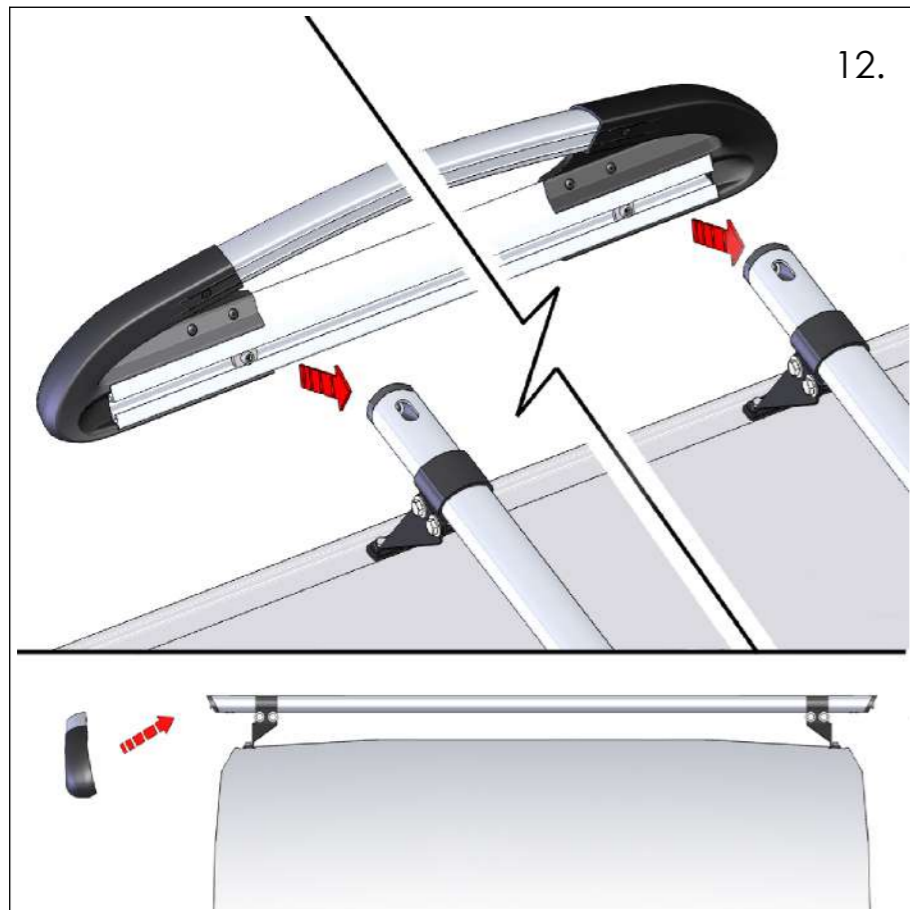
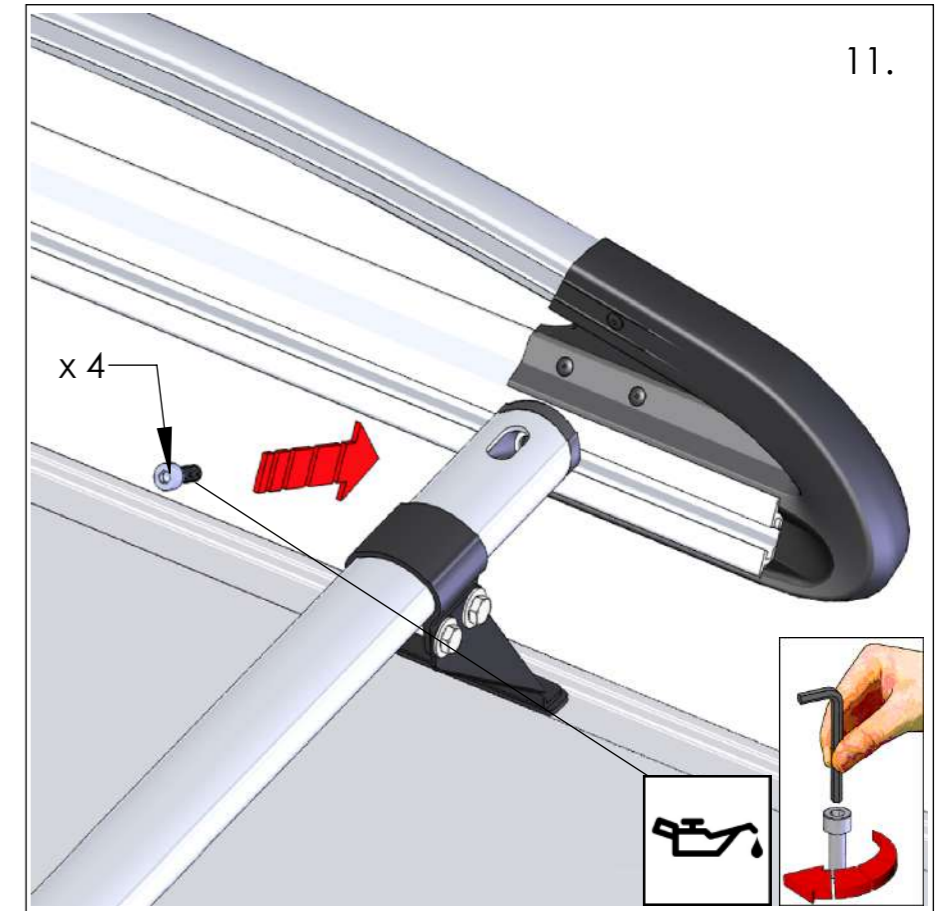
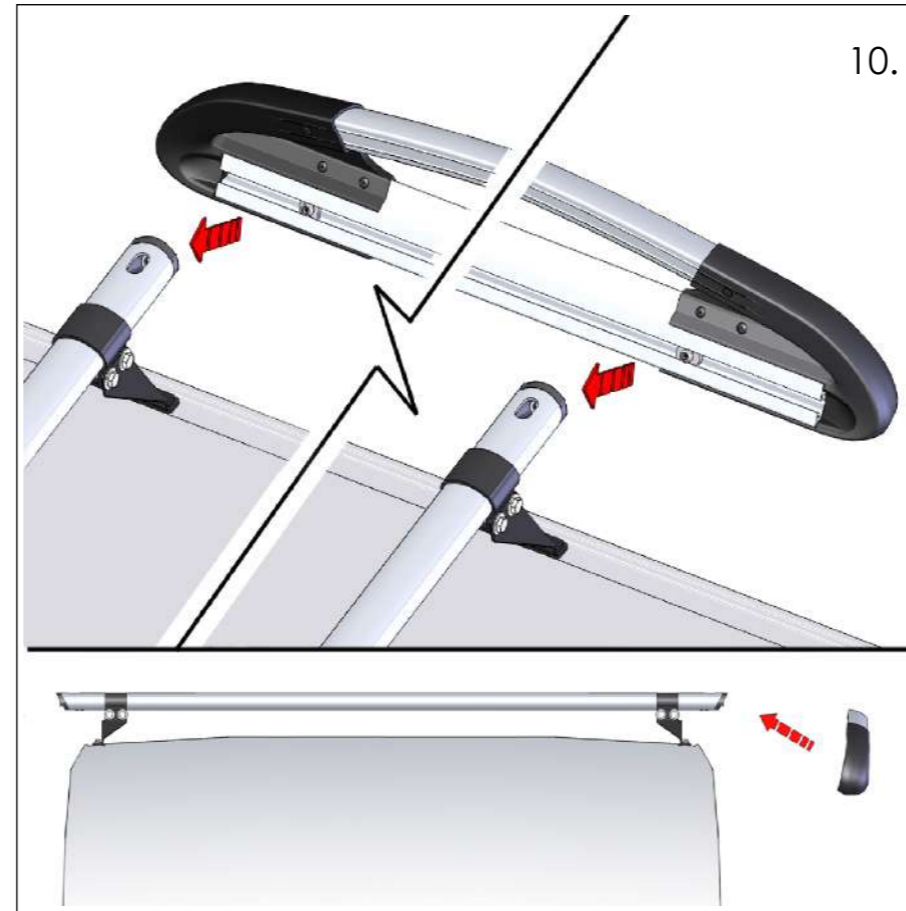
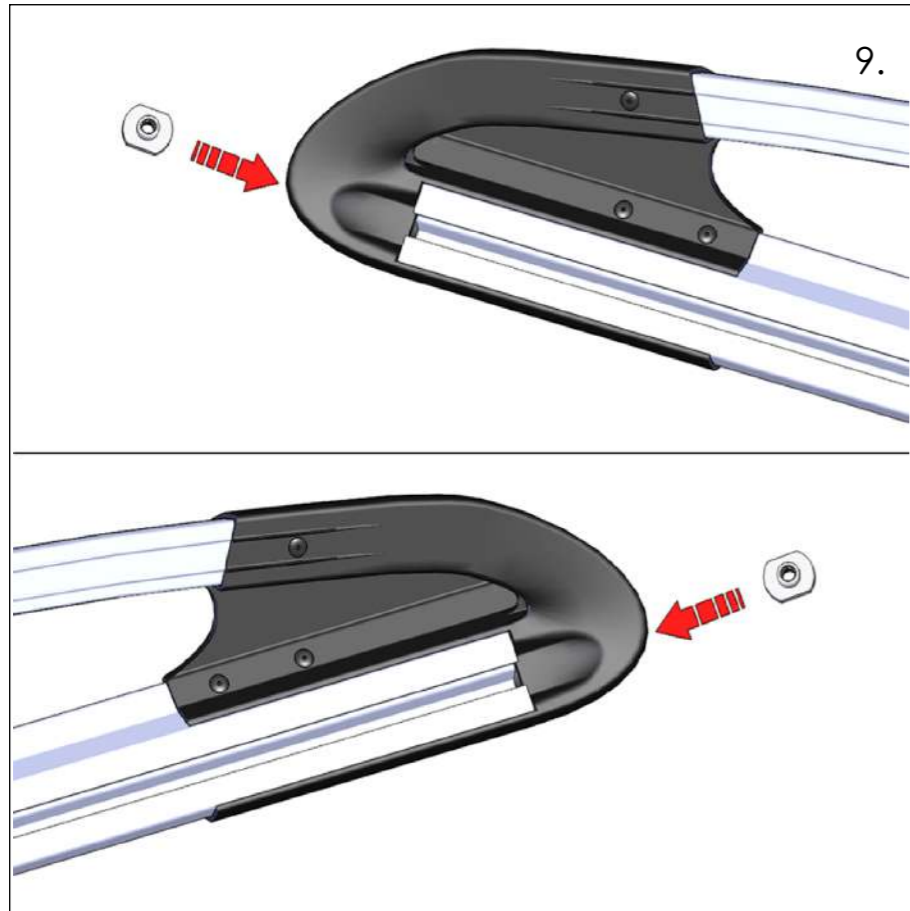


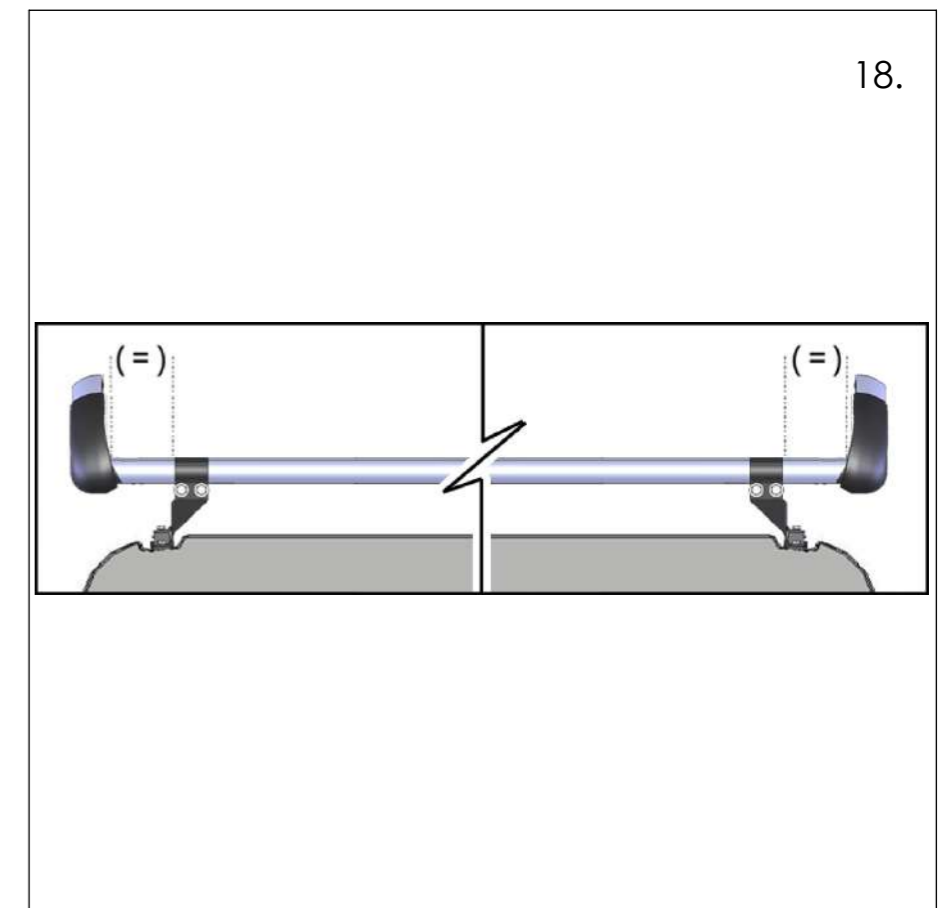
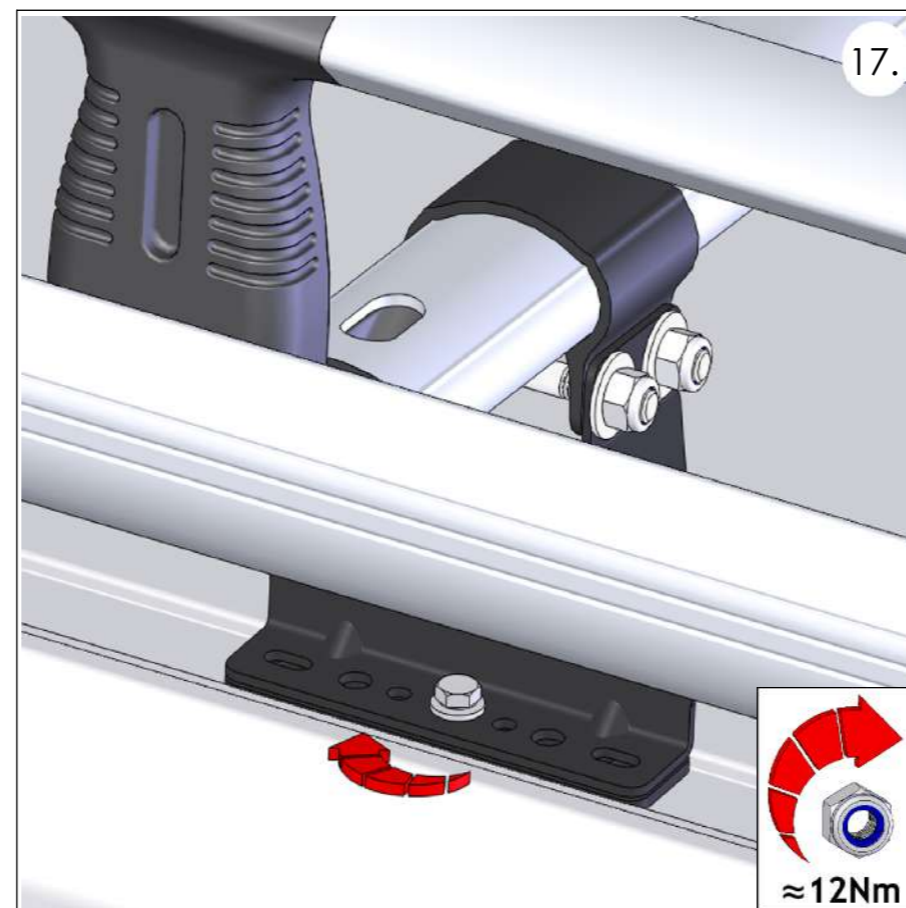
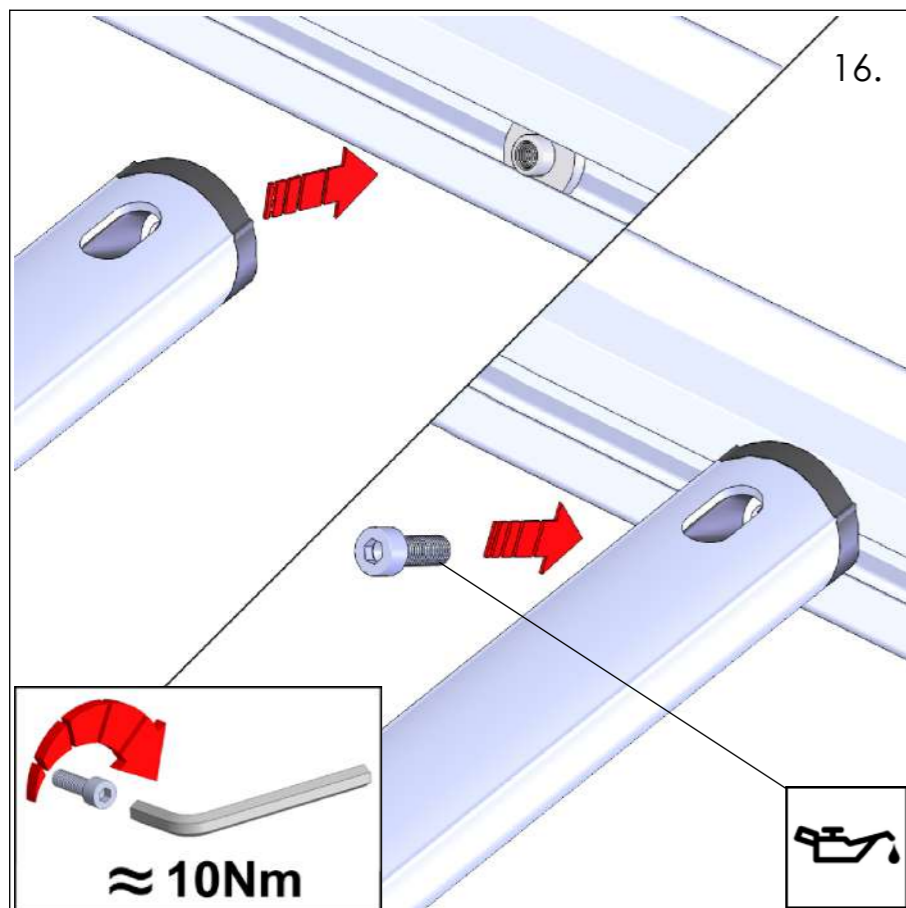
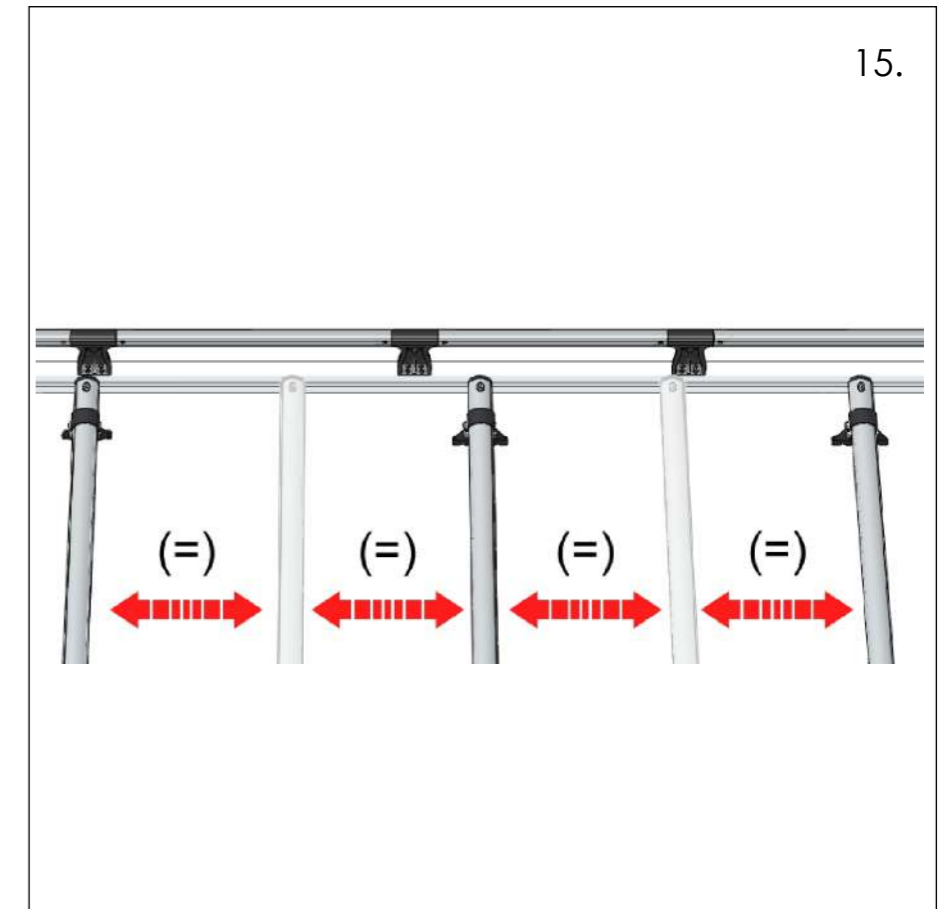
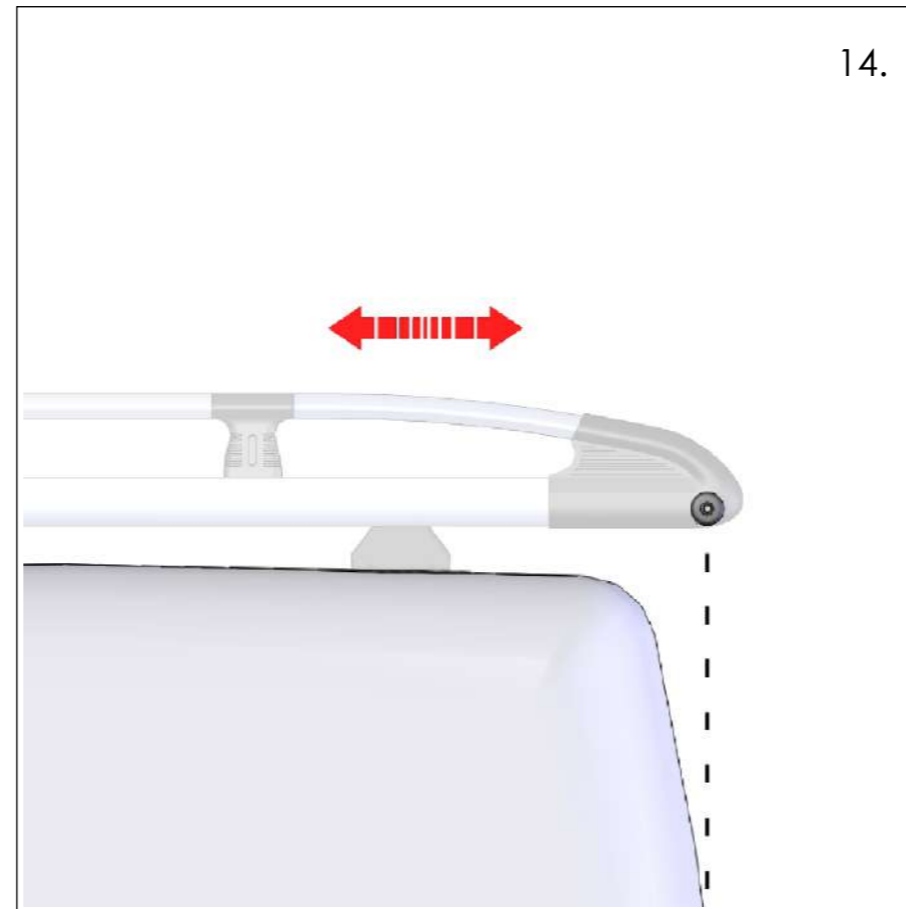
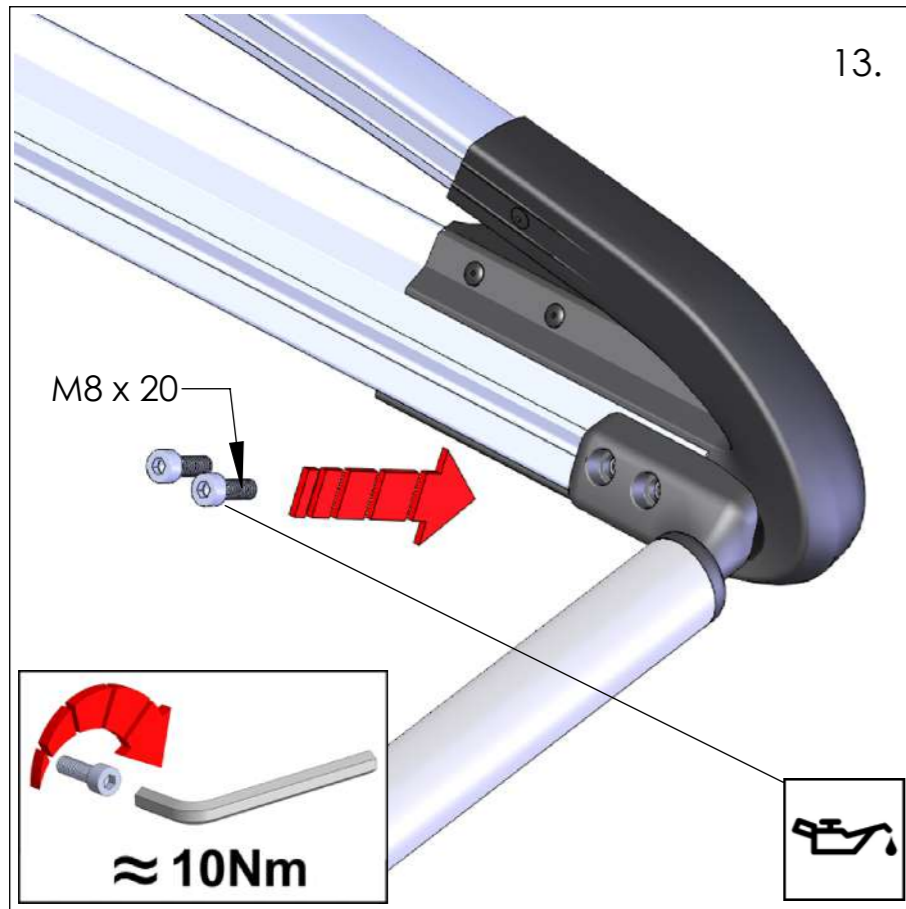
13mm x 2

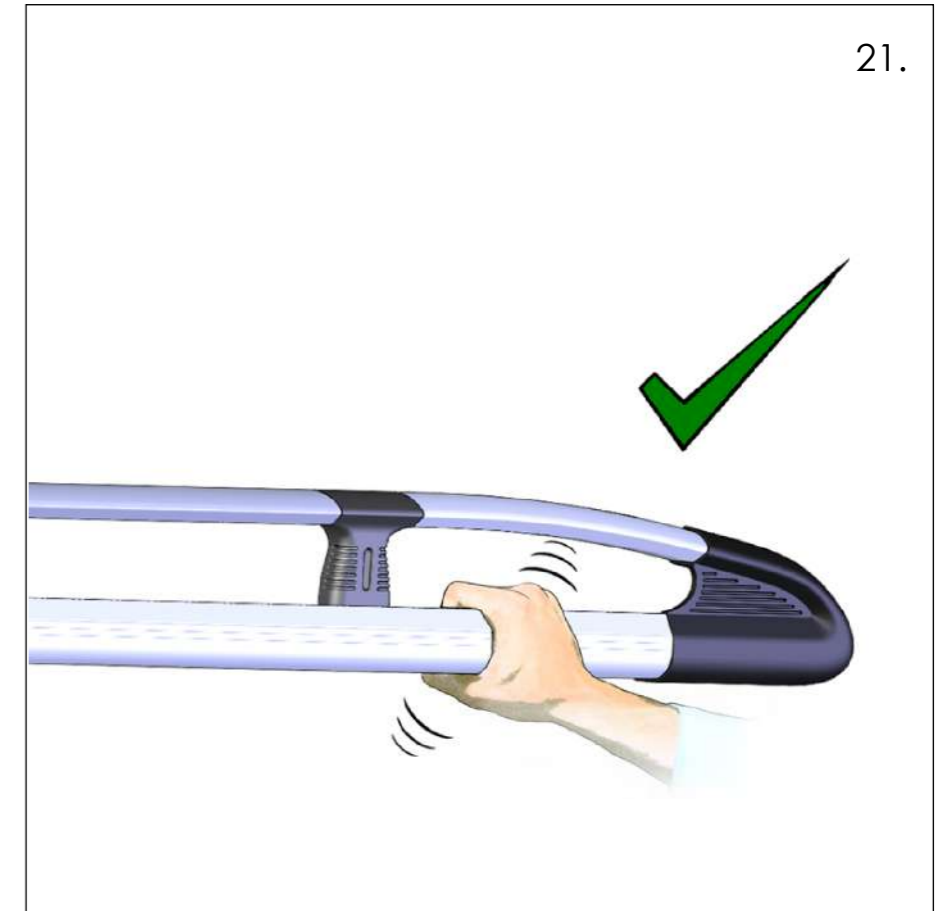
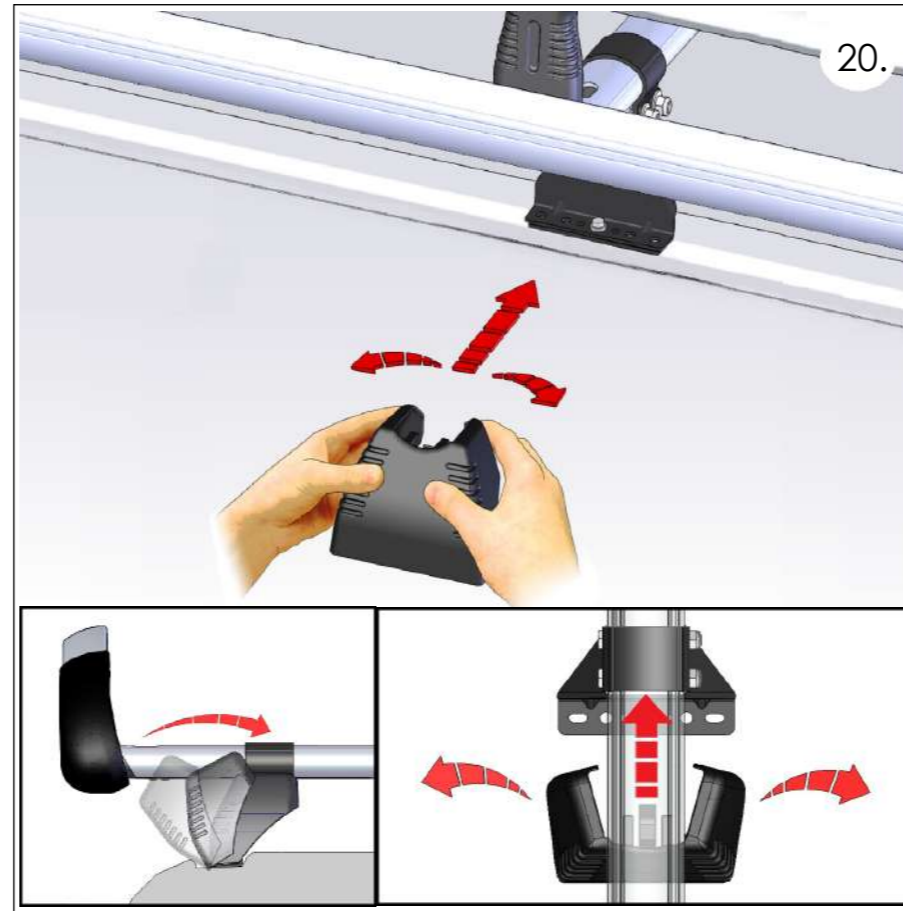
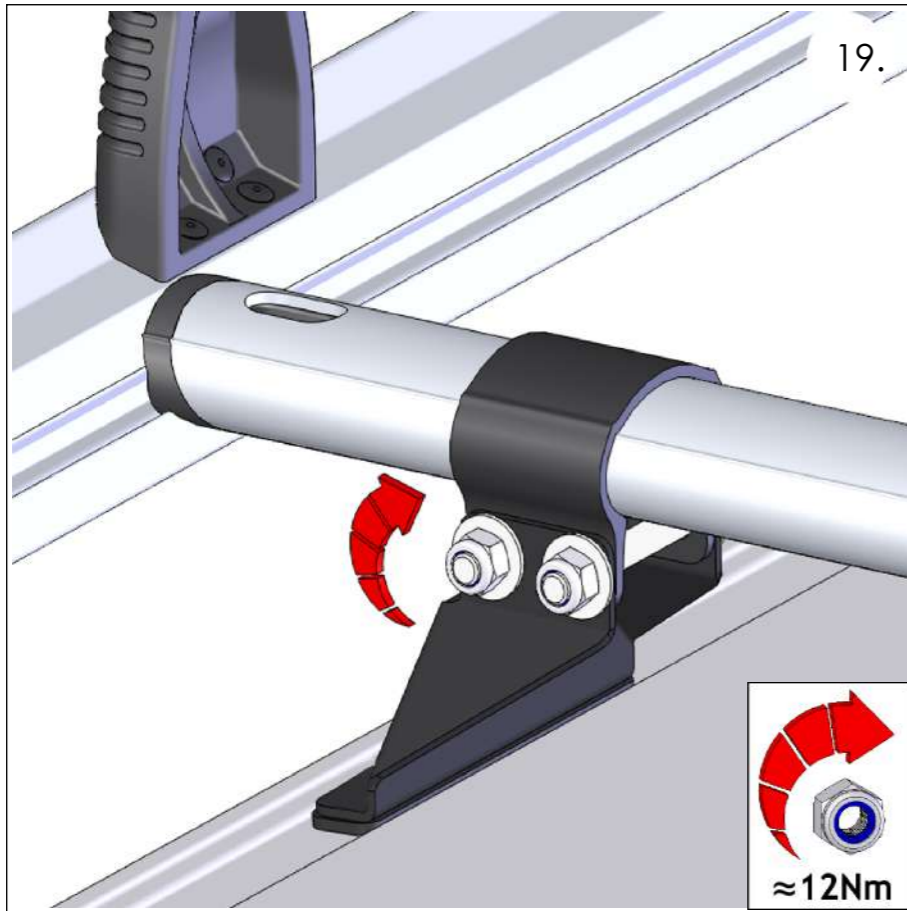


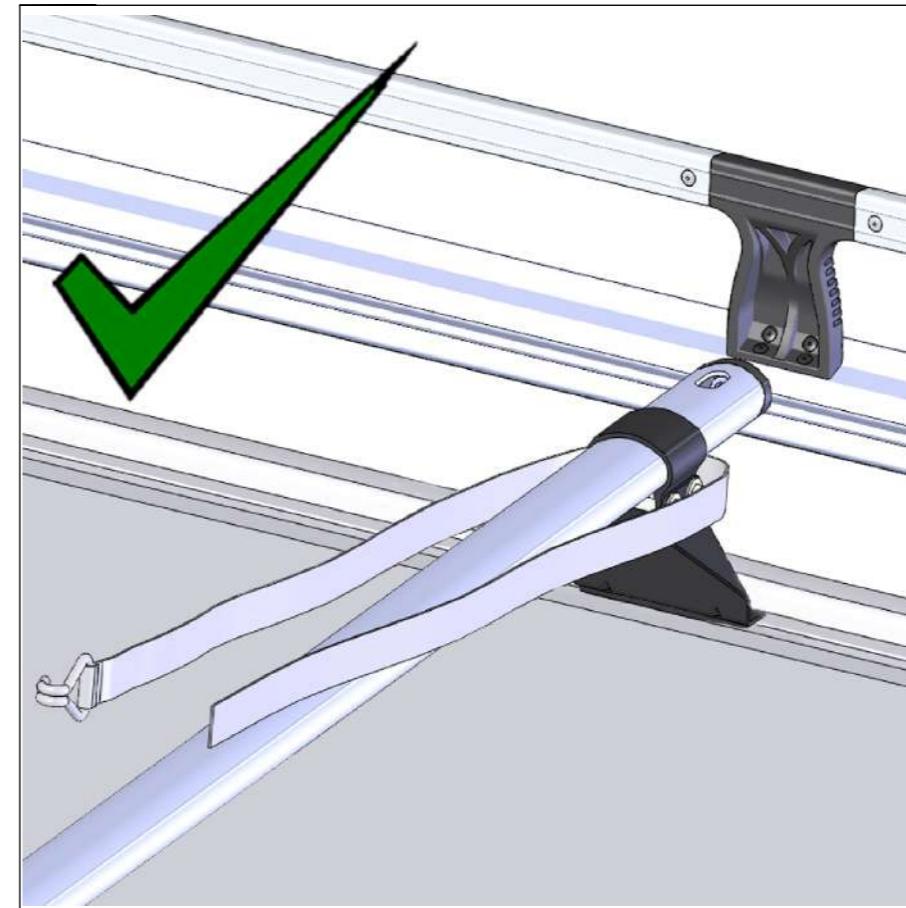
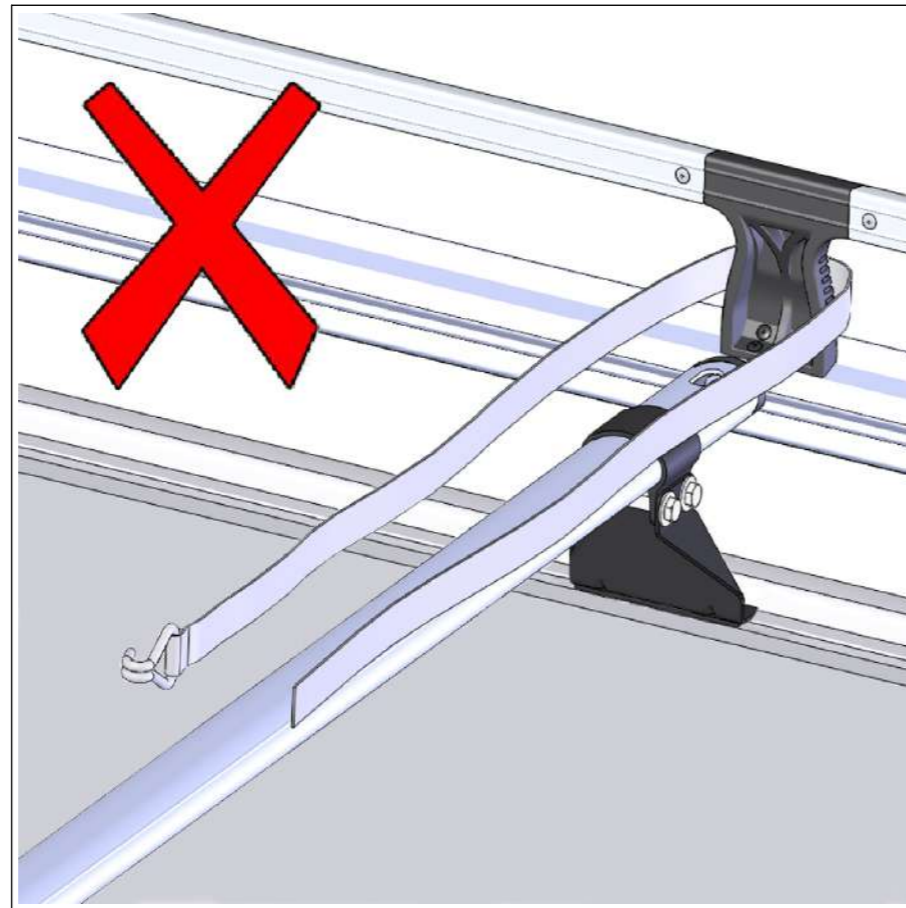
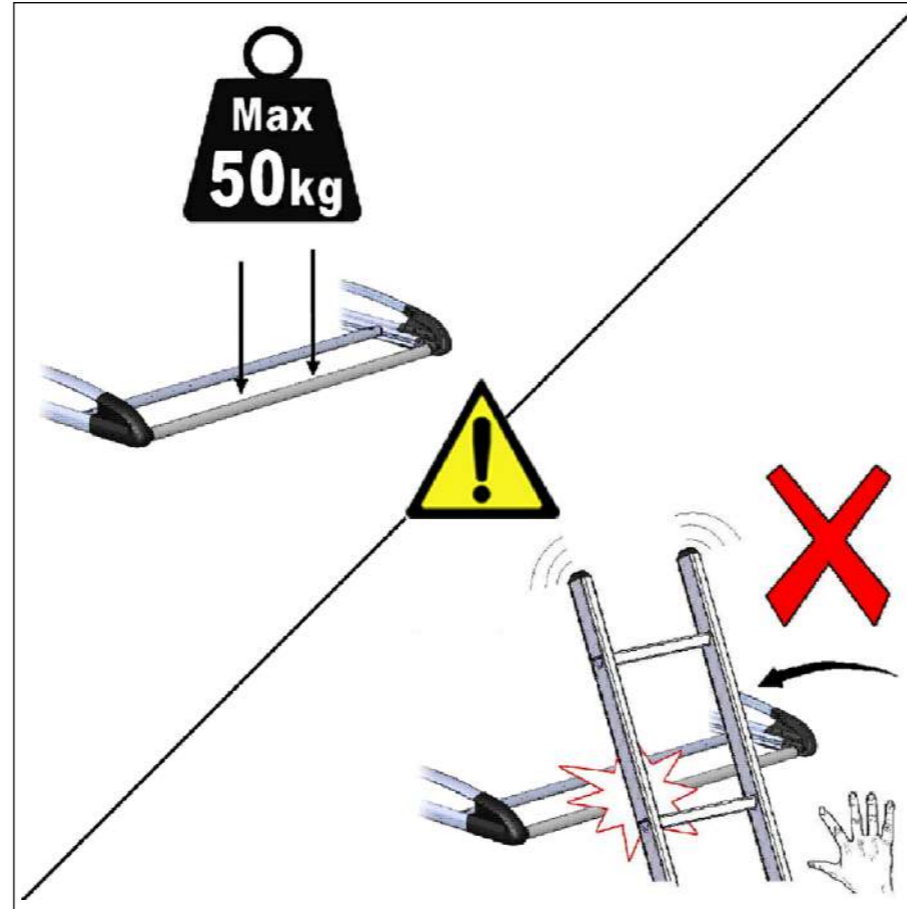
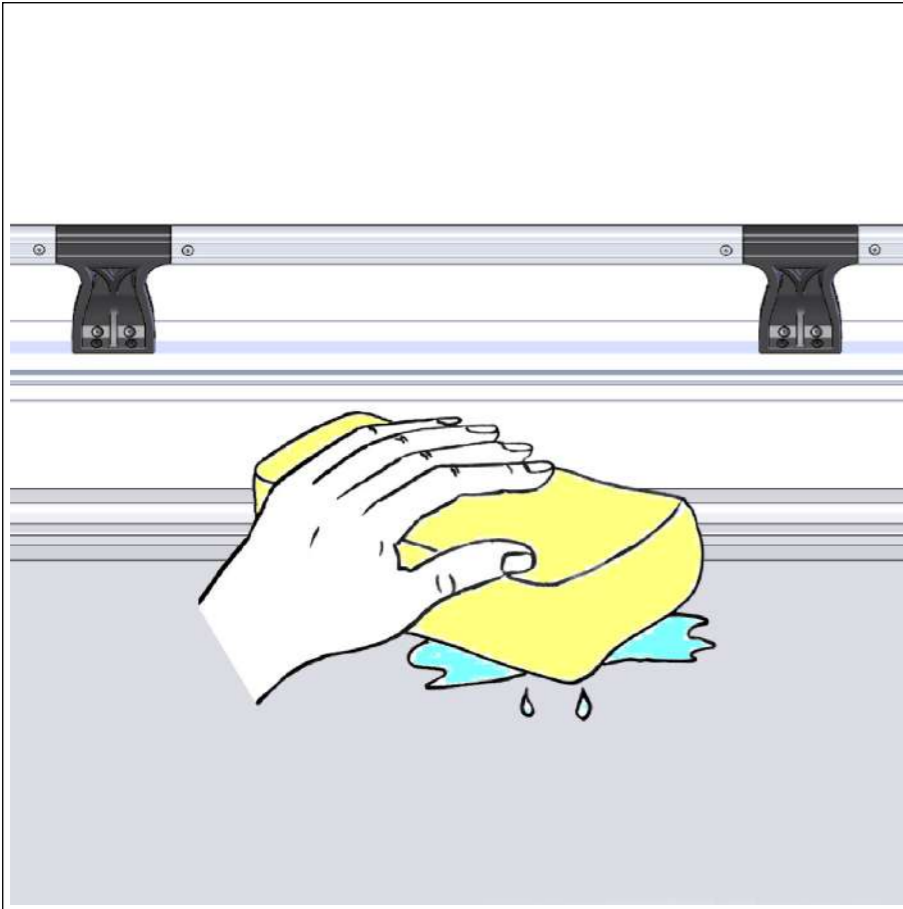












ALUMINIUM RACK - TYPE DESIGNATION FORM I

AH520

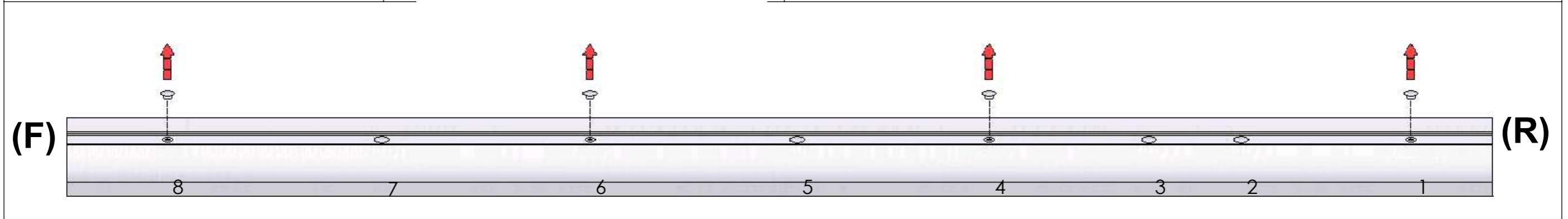
42kg + xx kg = Max. 150kg

**SPRINTER/CRAFTER 2006-
L2, H2, TWIN DOORS**

3665mm
2820mm
5910mm

x 11 →
x 11 →

(F) 145mm 790mm 775mm 1040mm (R)



--	--	--

--



EXT09-004 x 8



MS168 x 8



PS095 x 8



PS089 x 1



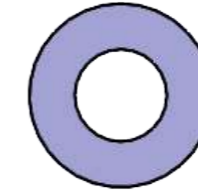
PS090 x 1



PS023 x 8



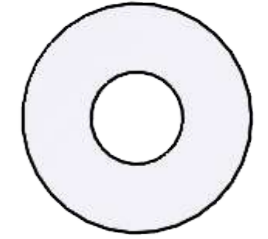
FB012(M8 x 65) x 16



FW037 (M8) x 32



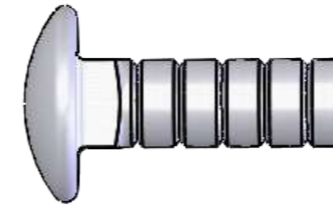
FN006 (M8) x 24



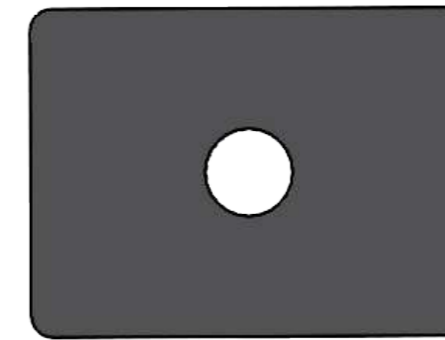
FW002 (M8) x 8



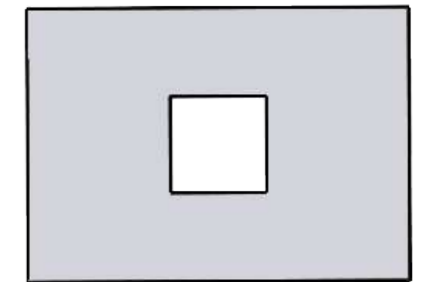
FS062 (M8 x 25) x 4



FS064 (M8 x 25) x8



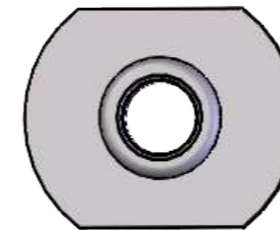
PS020 x 8



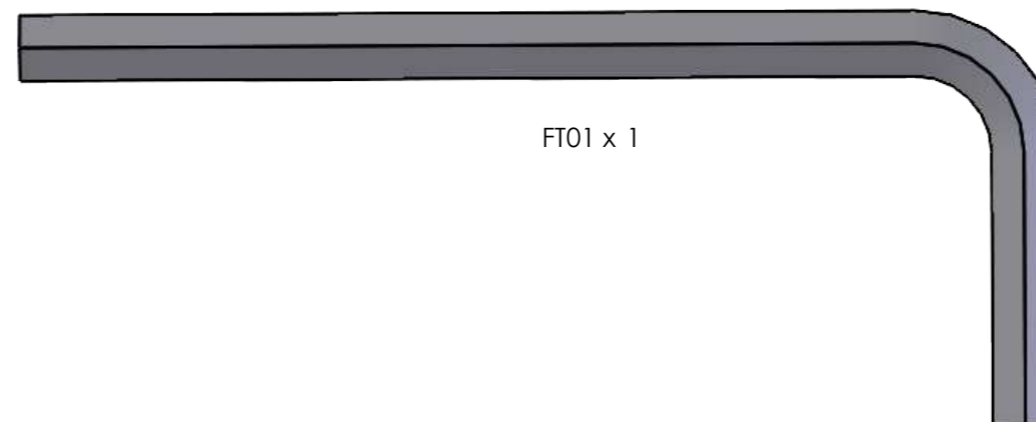
MS209 x 8



FS059 (M8 x 25) x 22



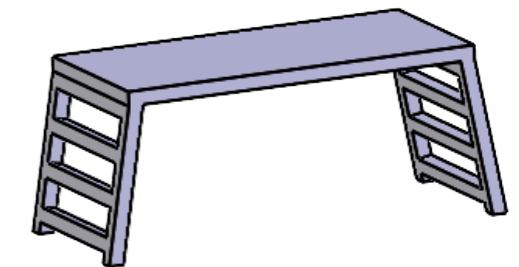
FN023 (M8) x 22

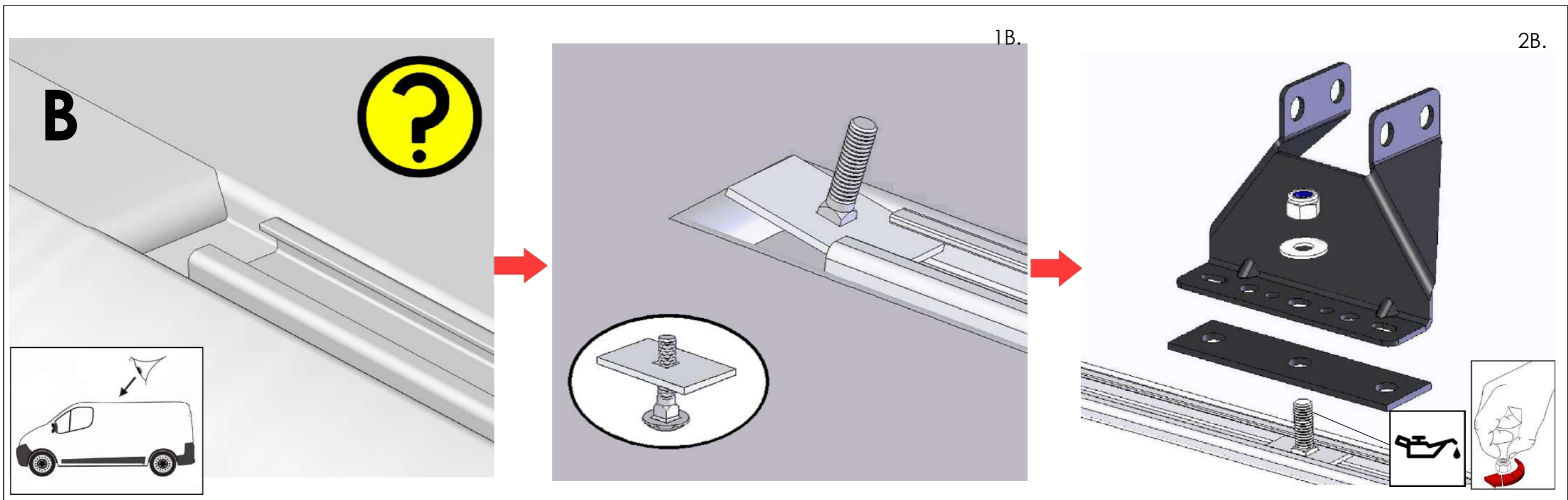
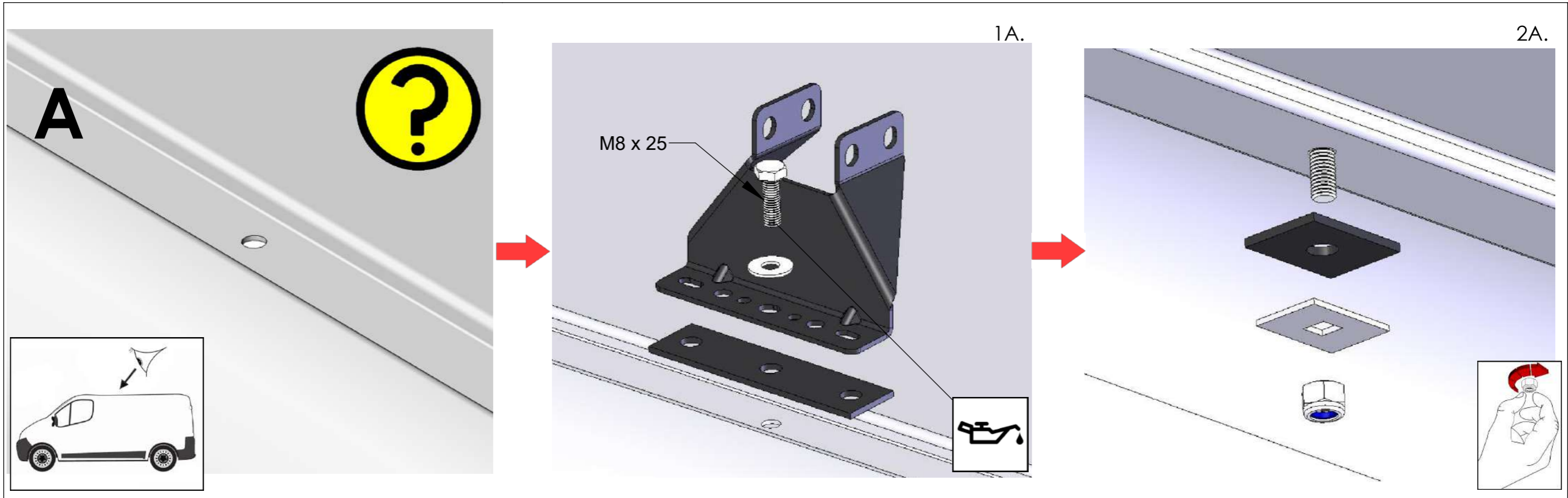


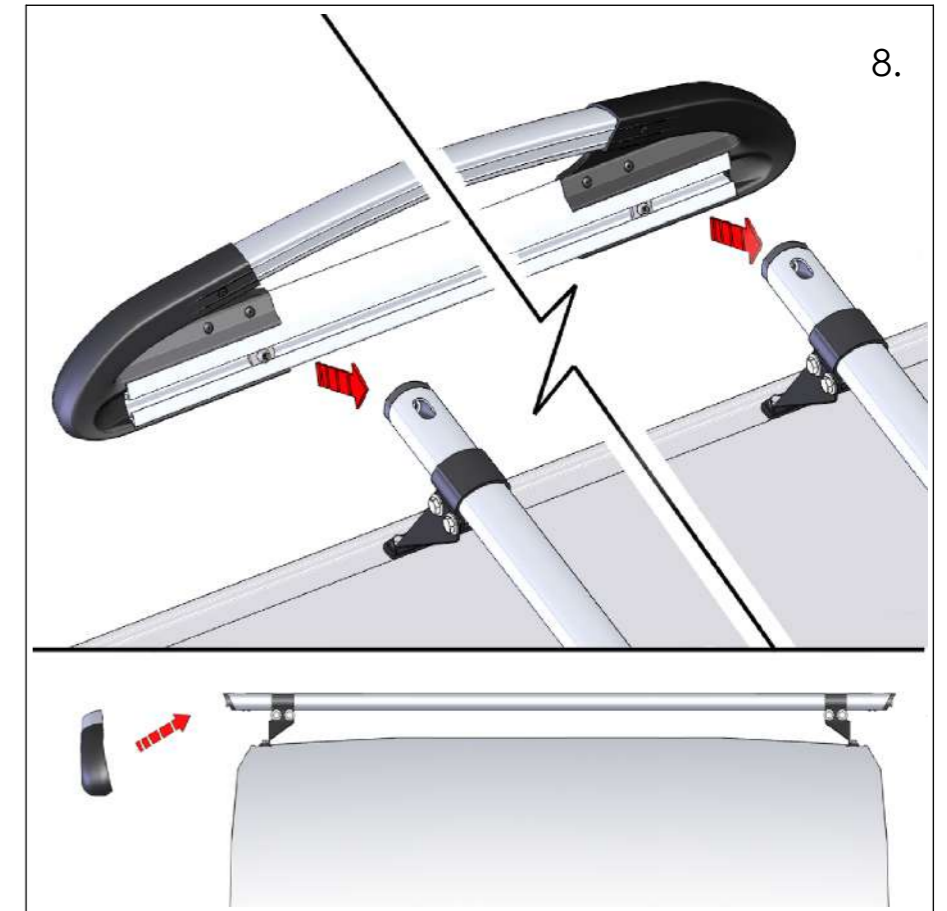
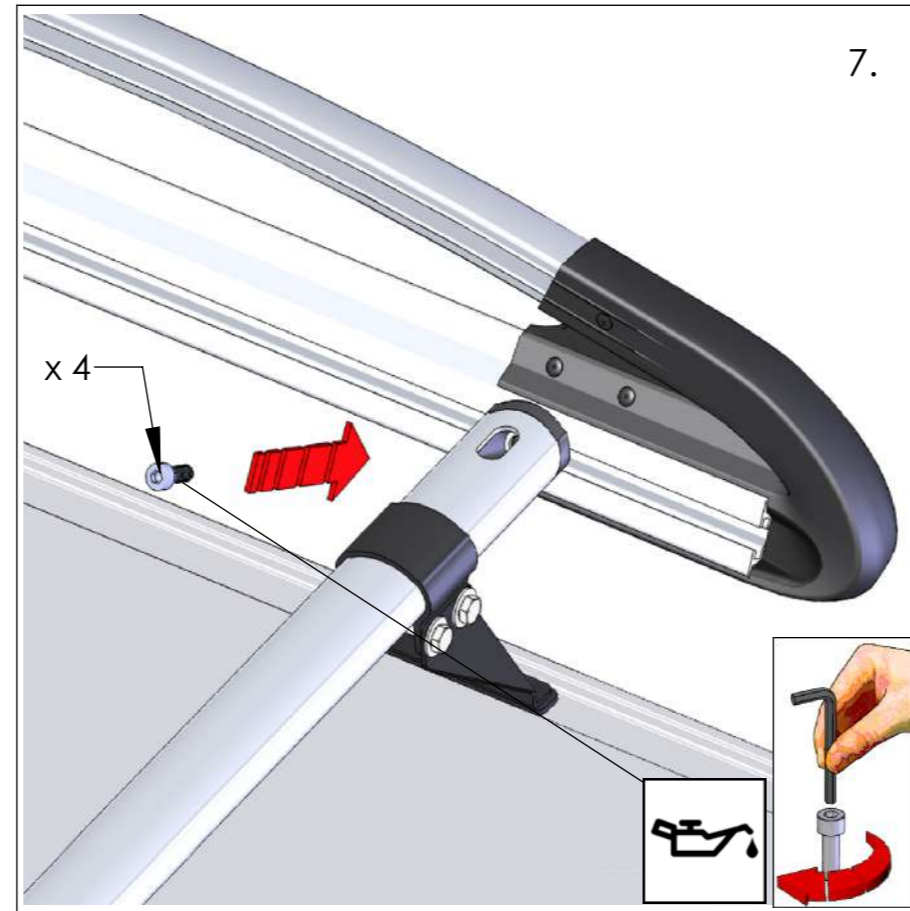
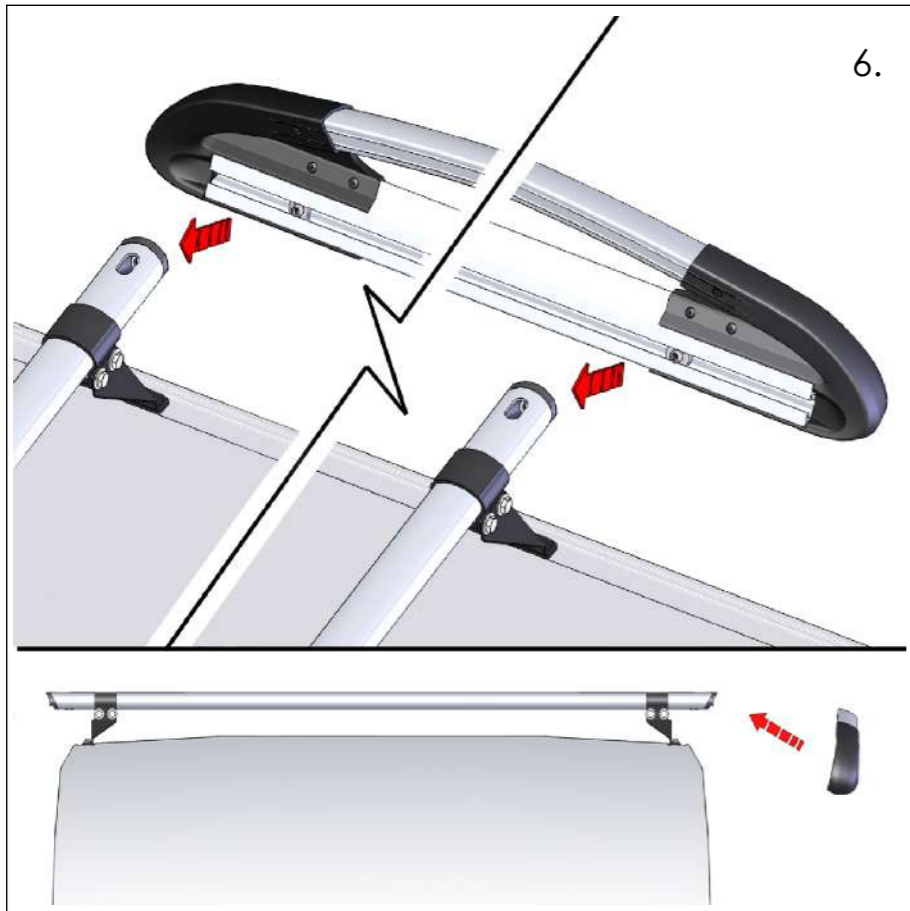
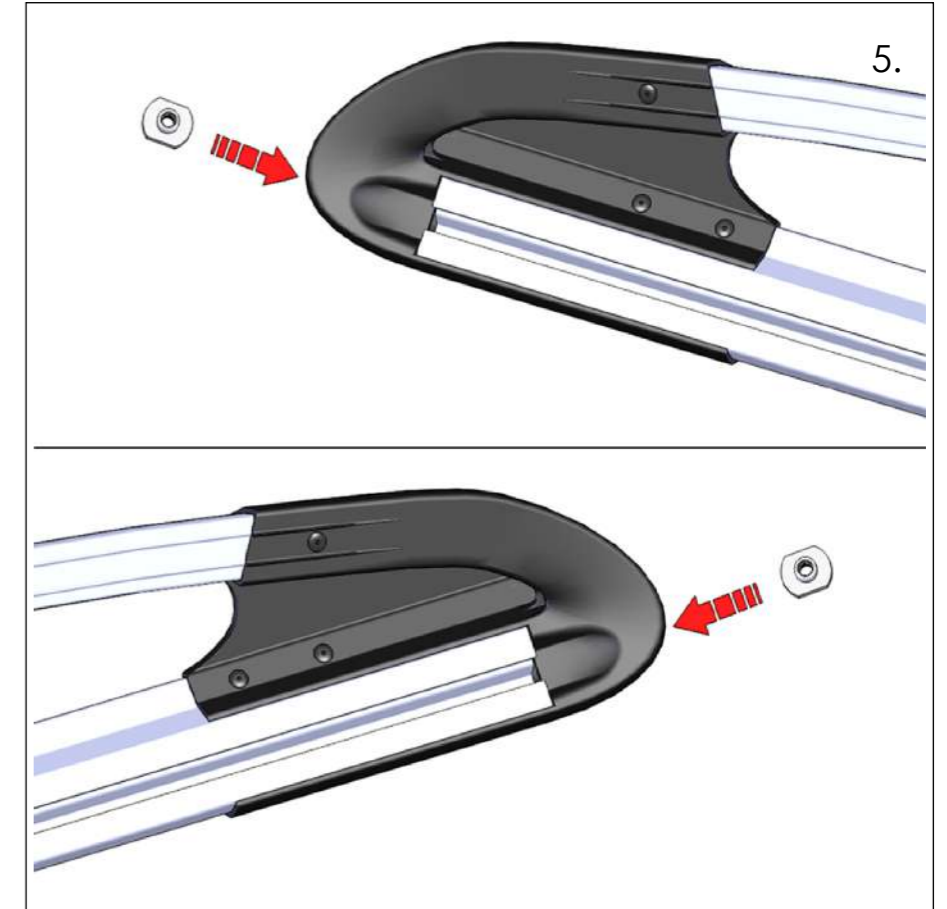
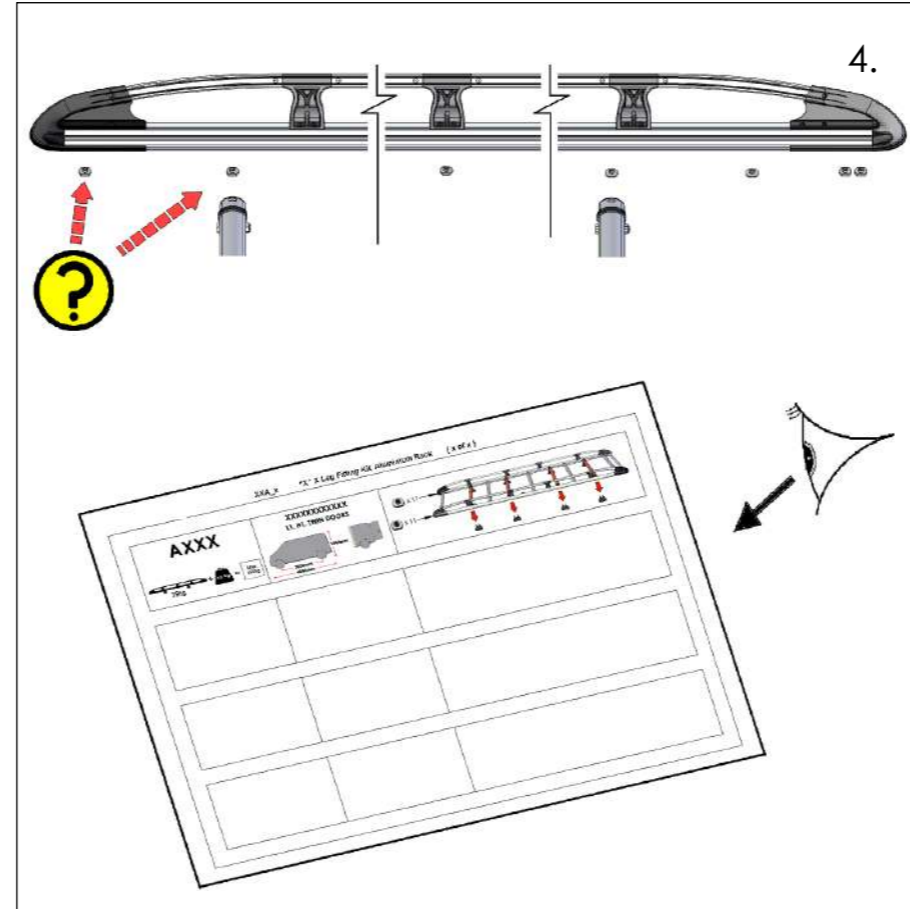
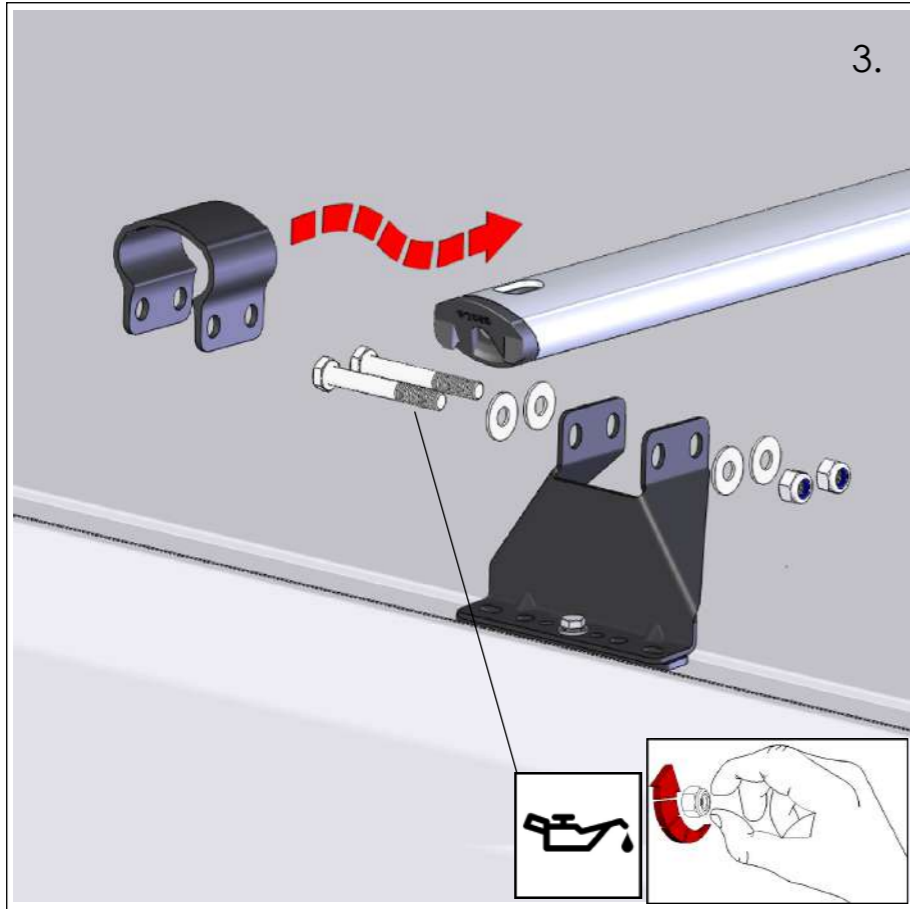
FT01 x 1

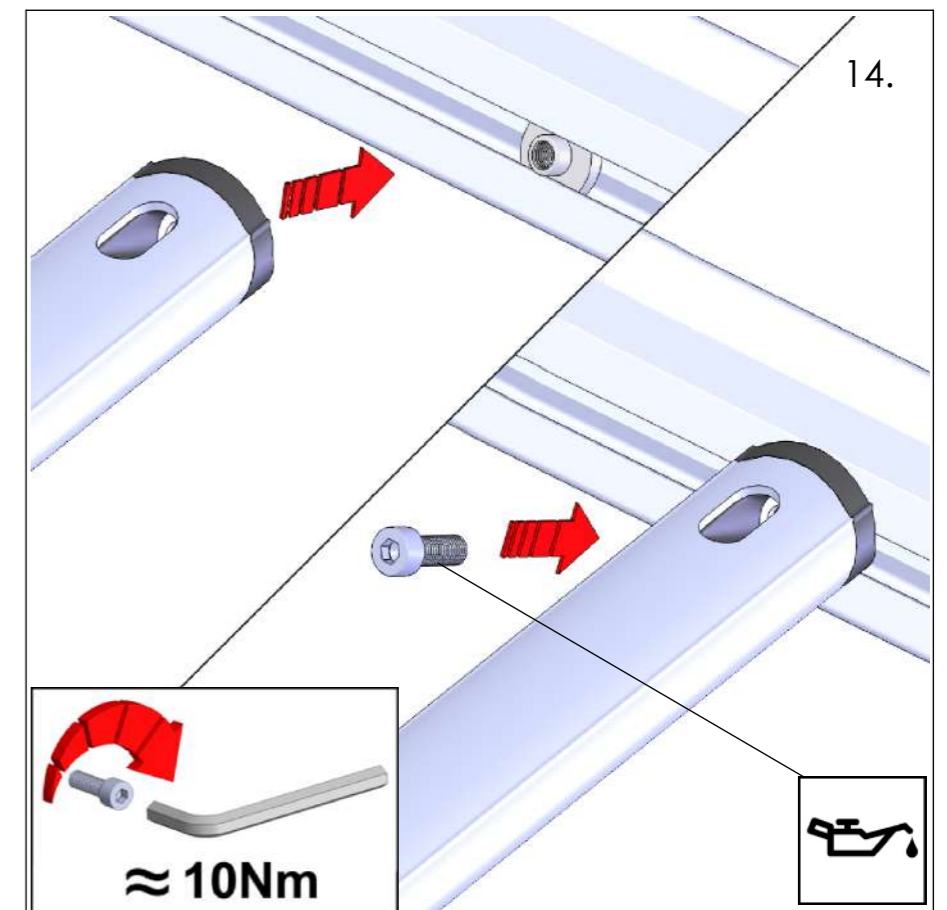
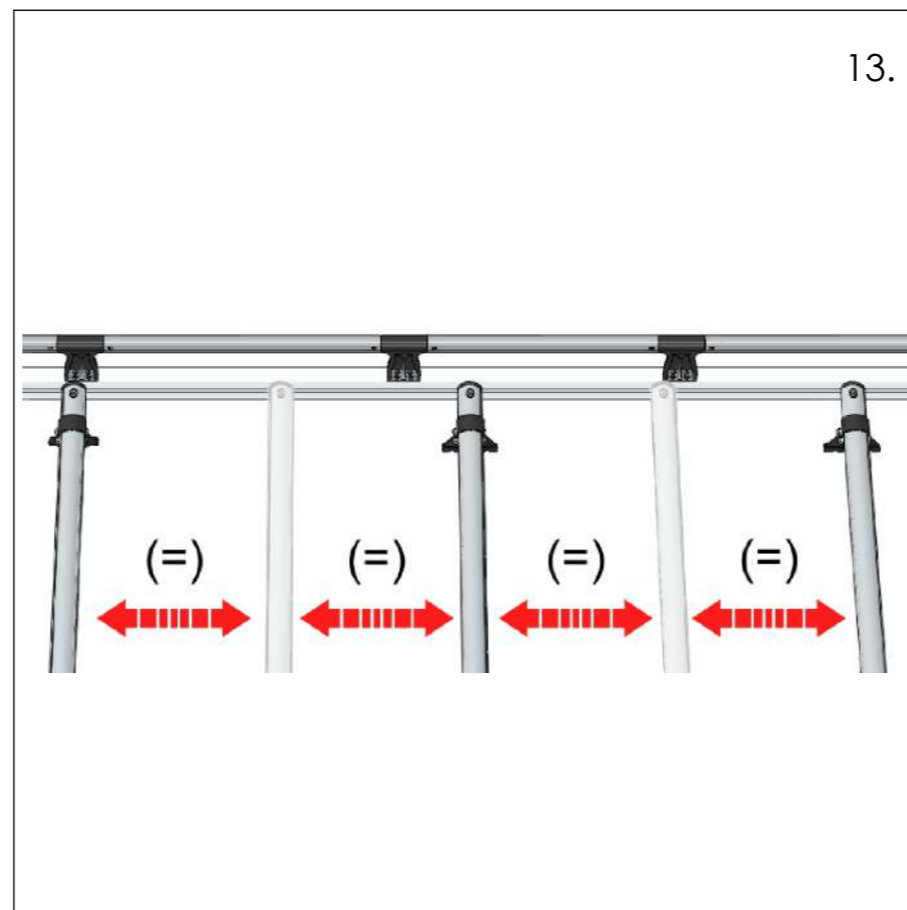
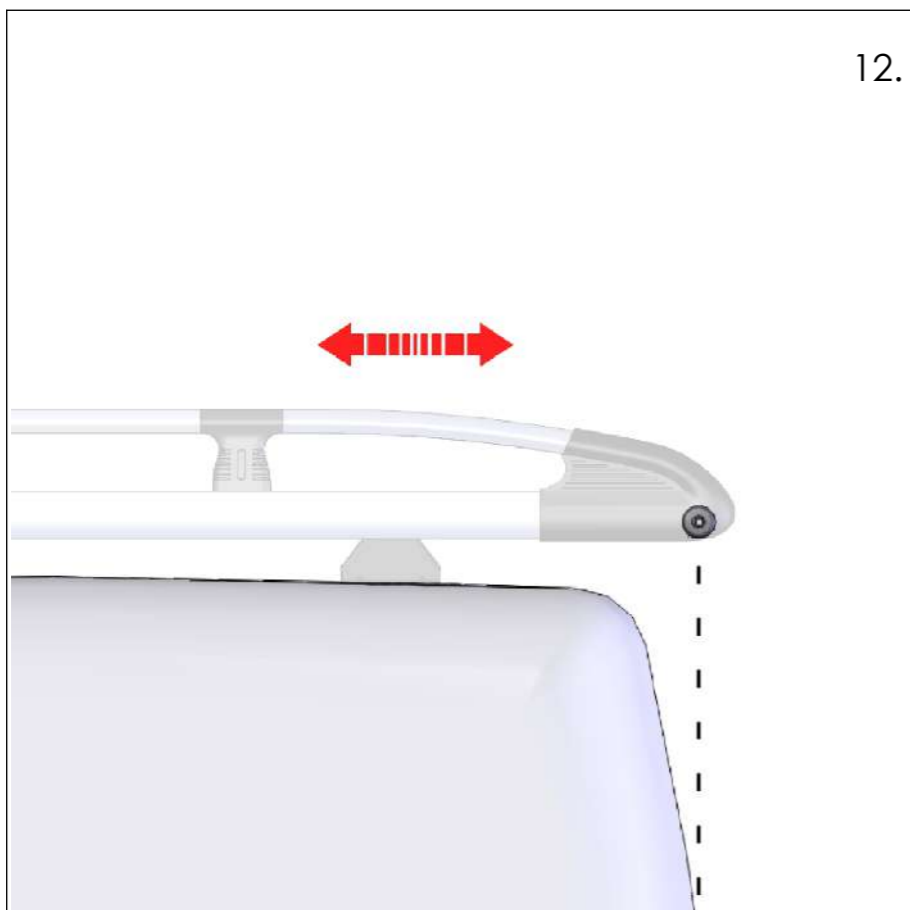
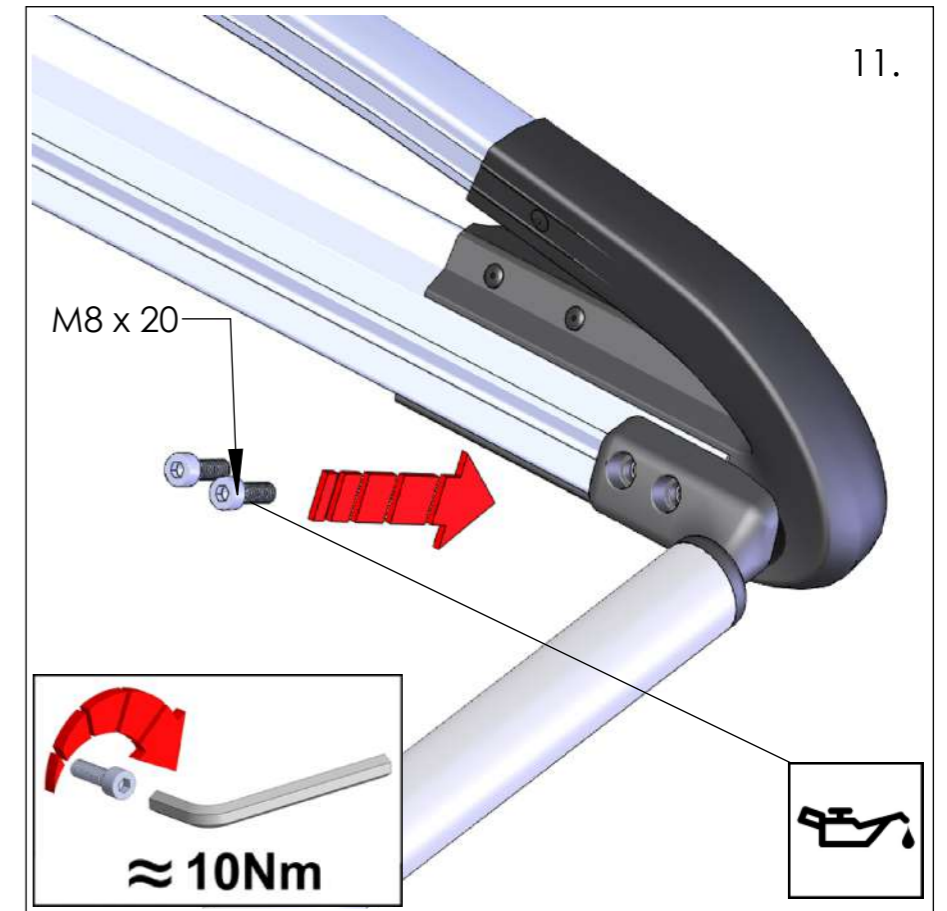
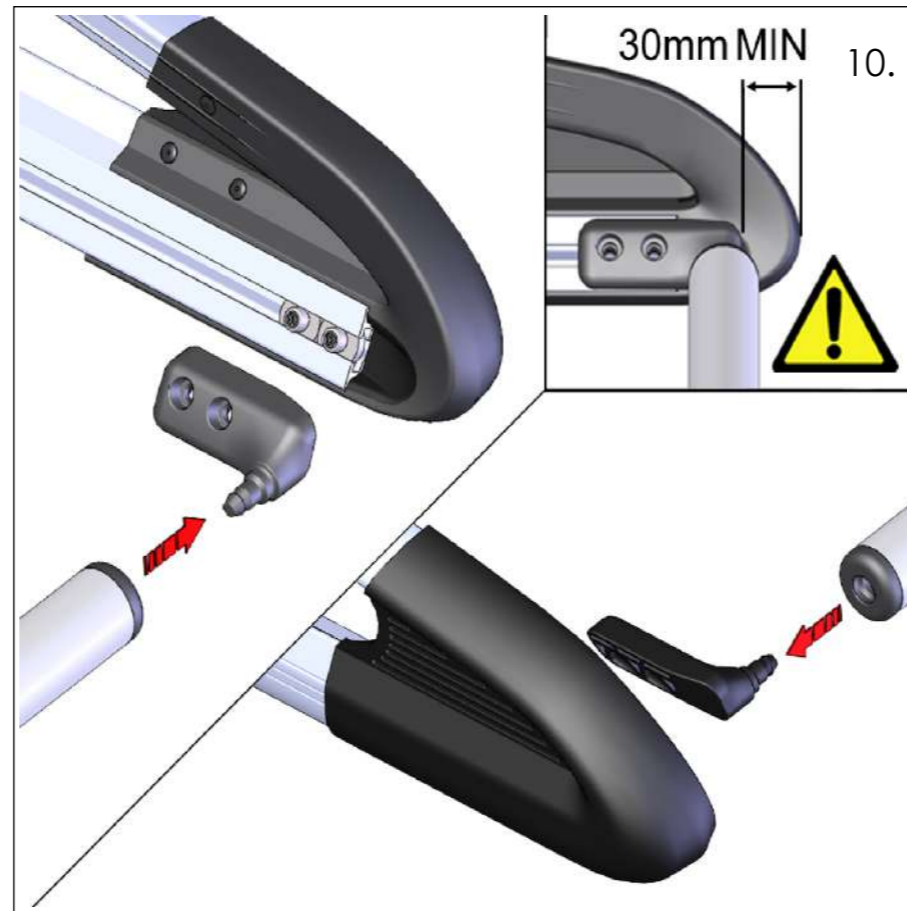


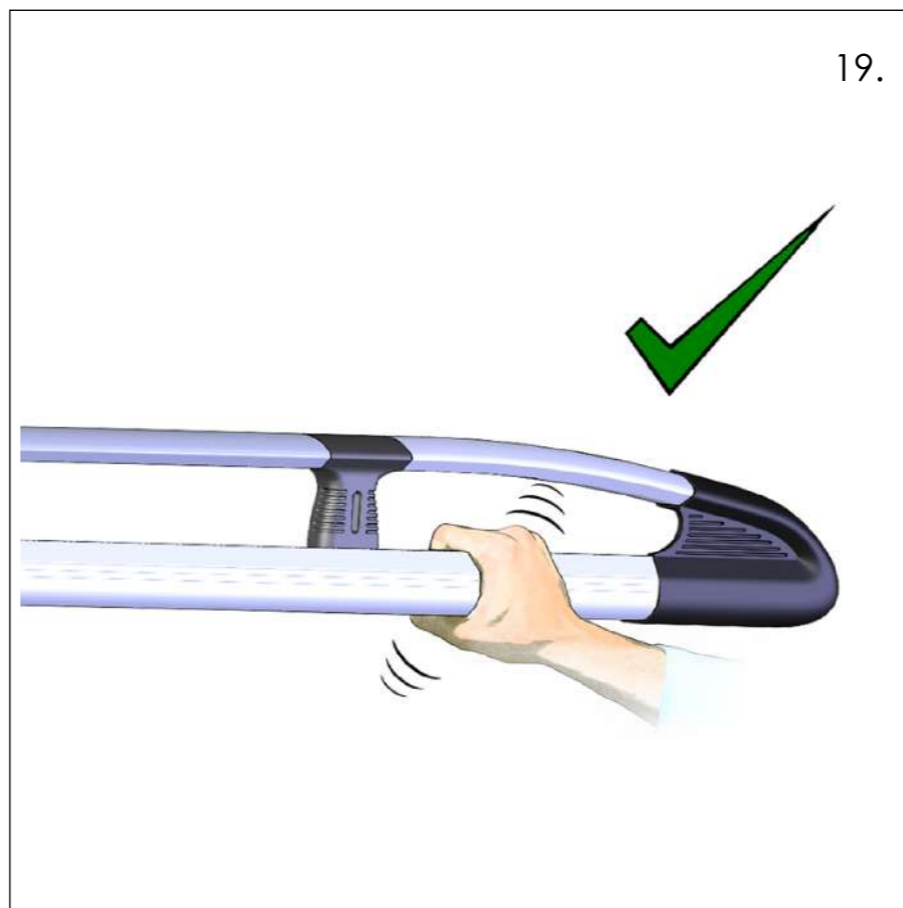
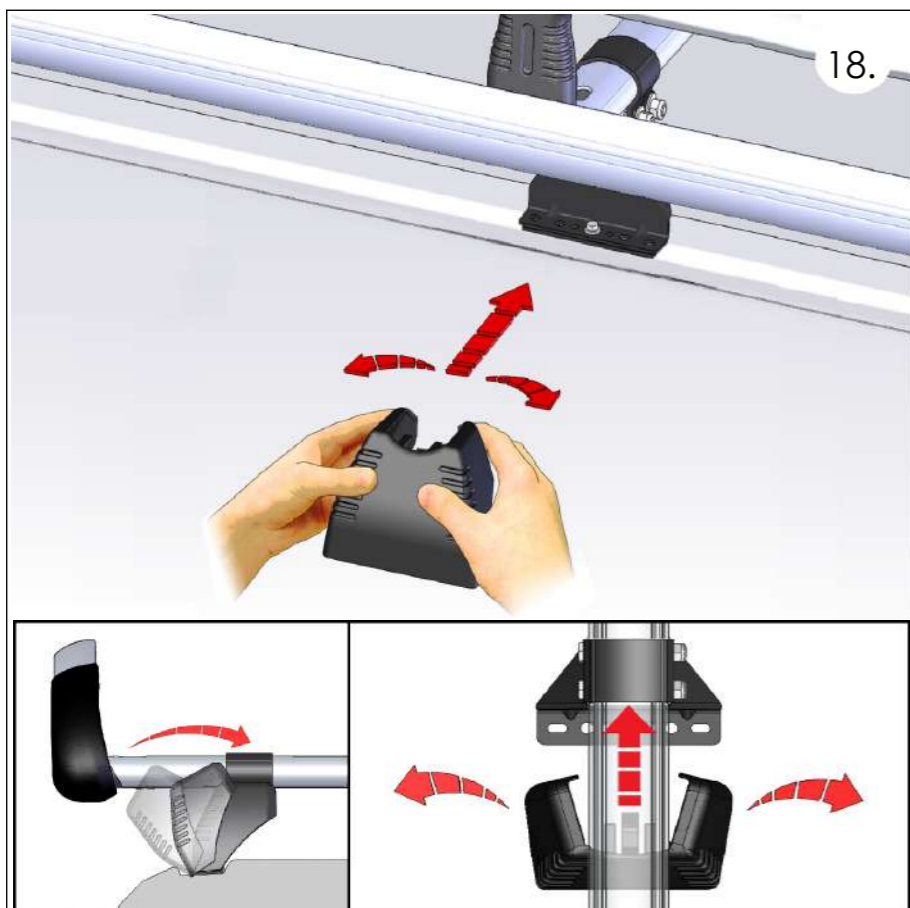
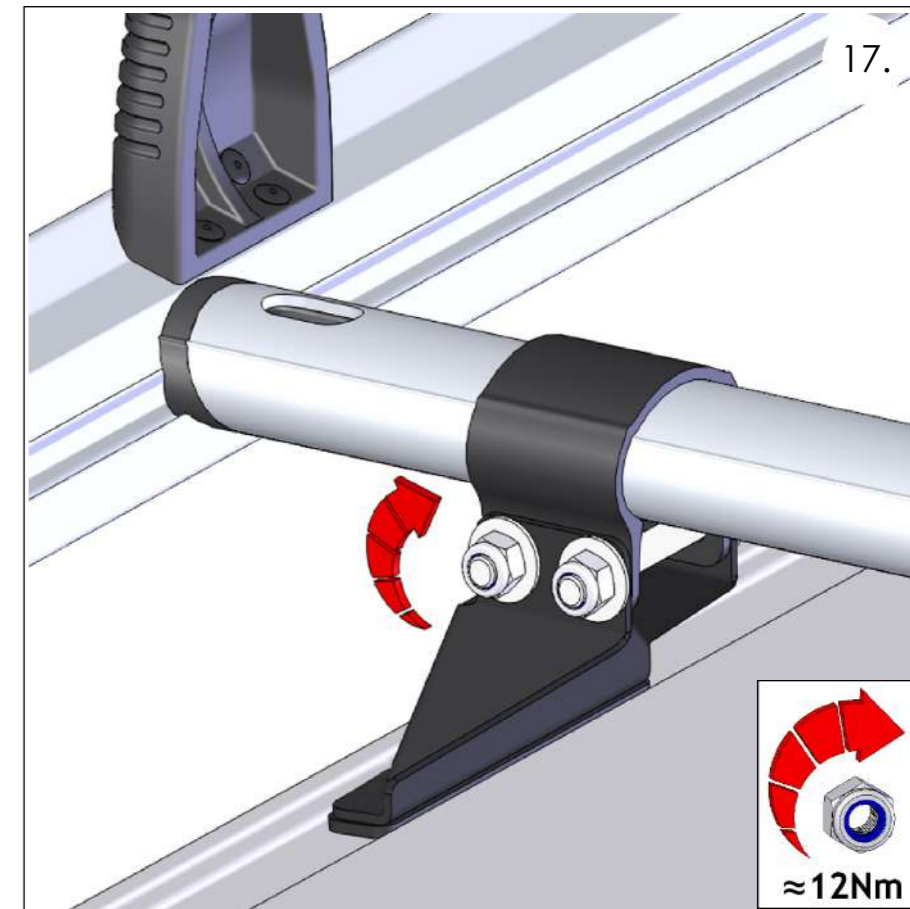
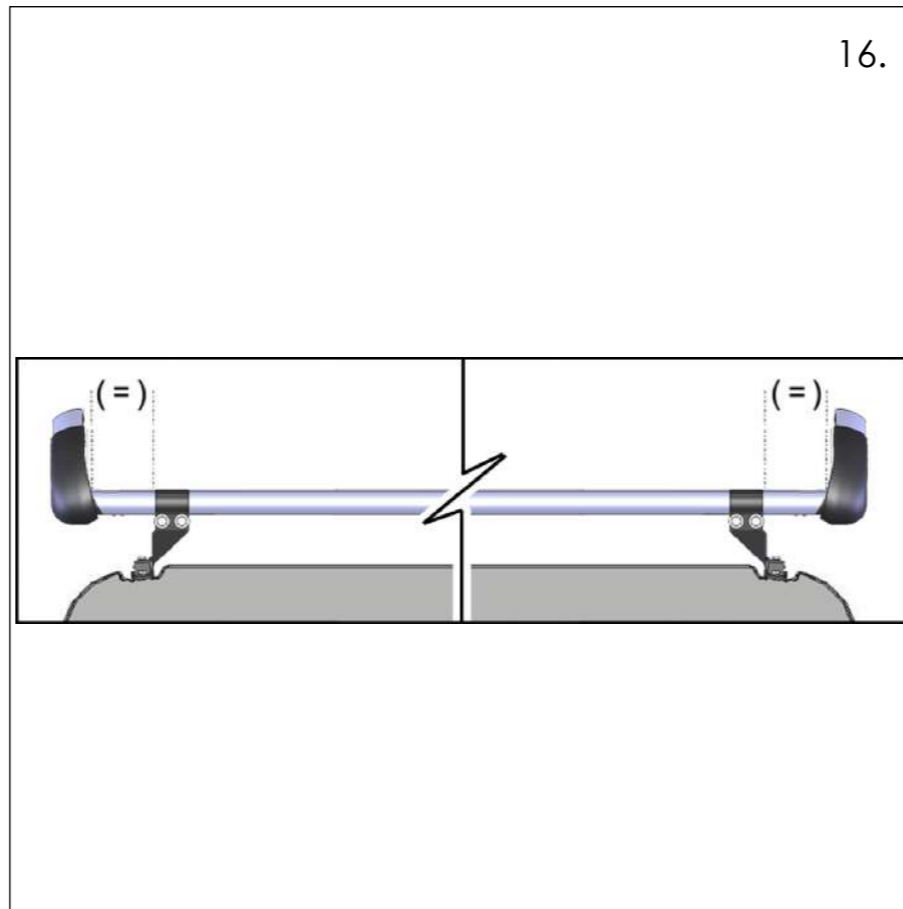
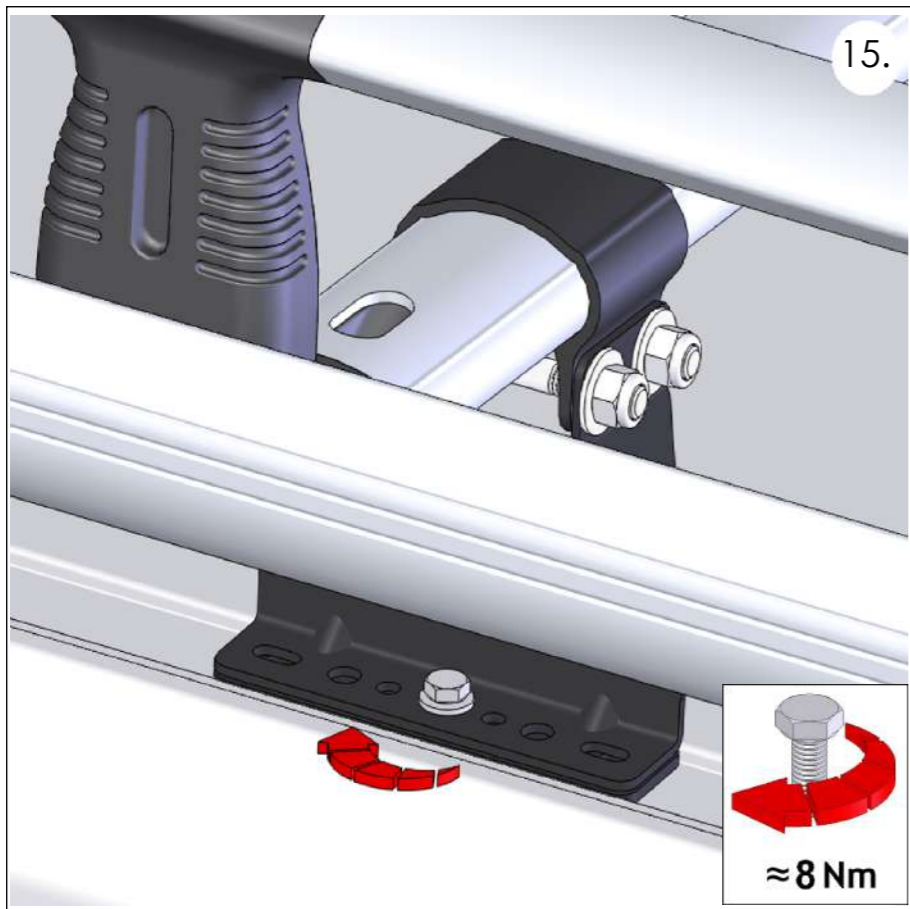
13mm x 2

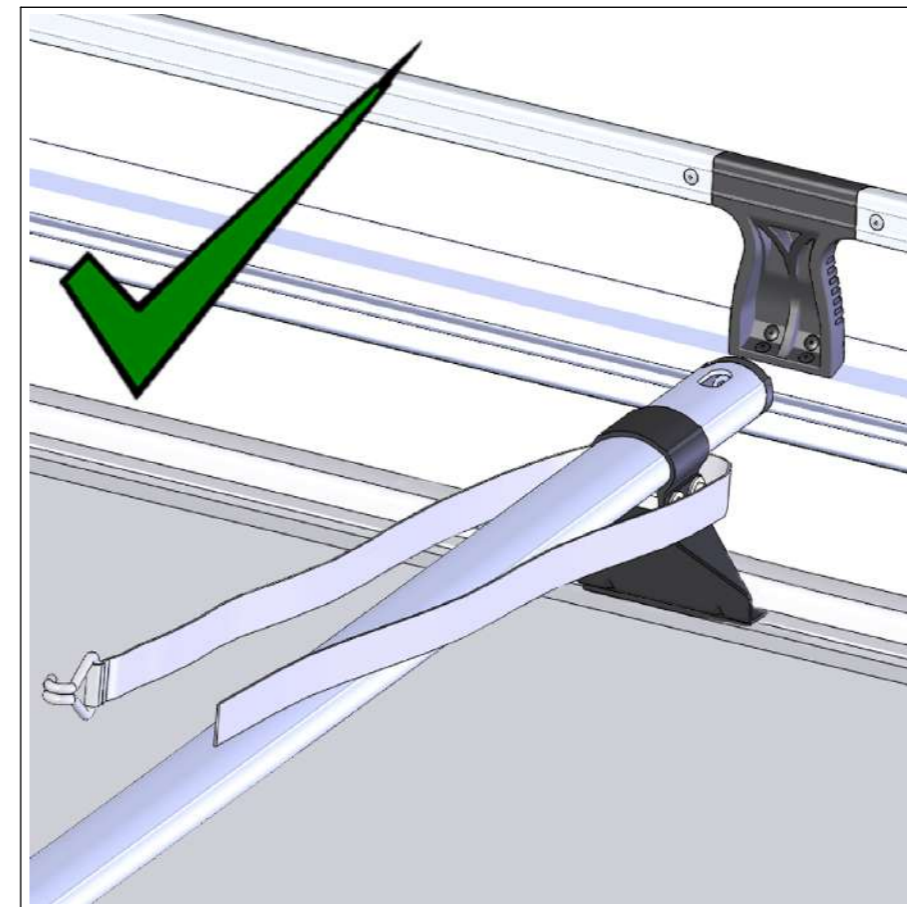
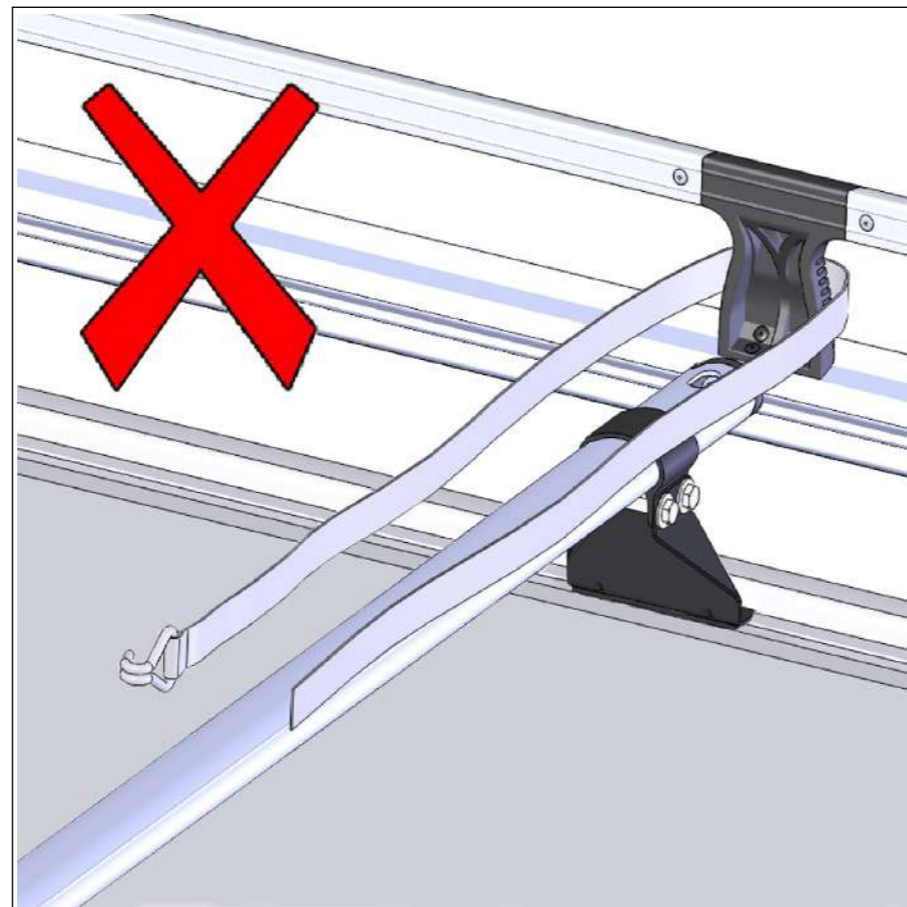
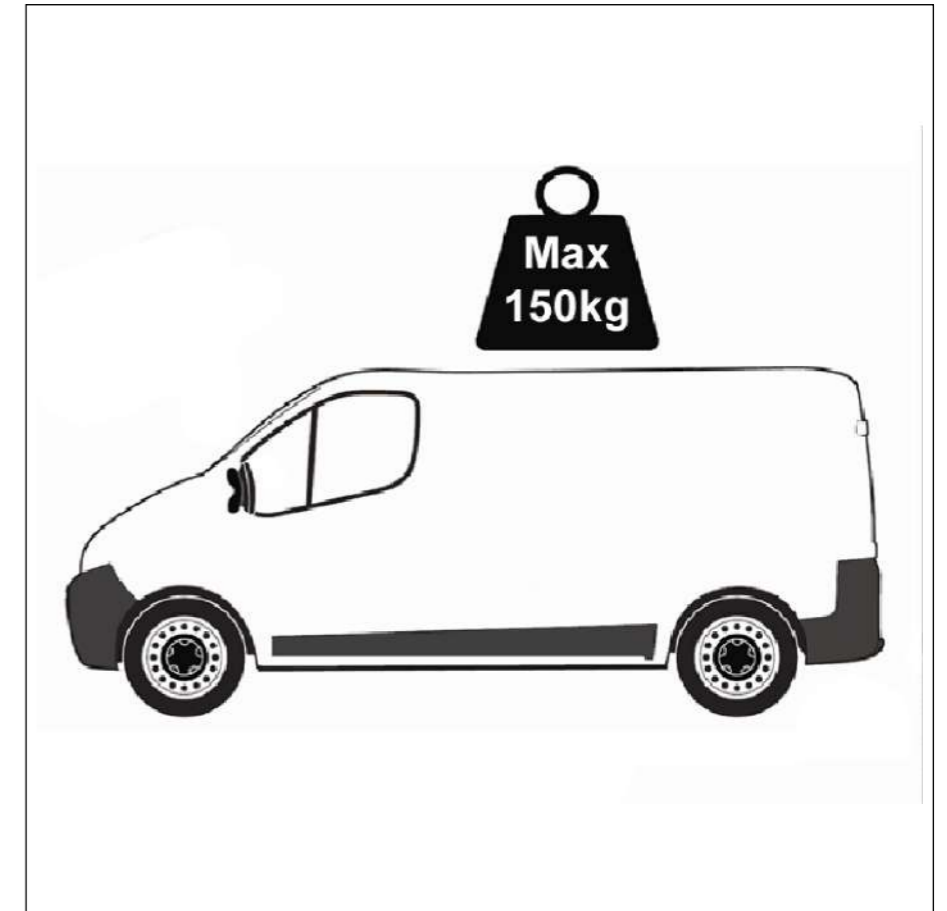
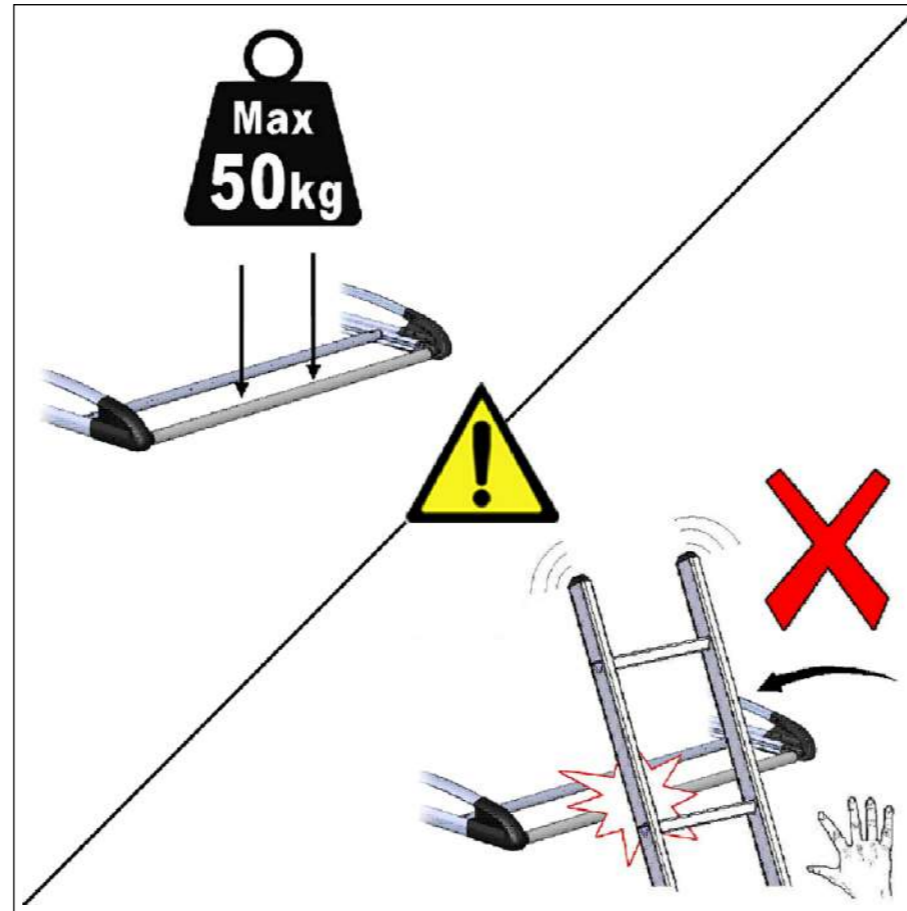
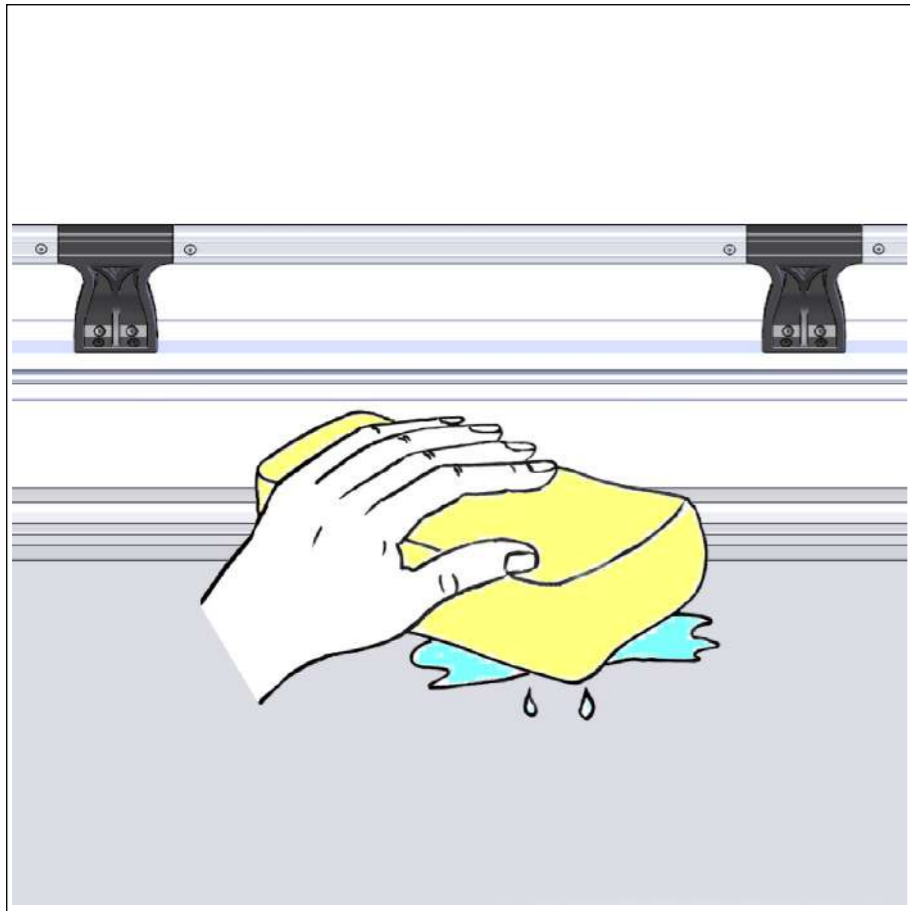












ALUMINIUM RACK - TYPE DESIGNATION FORM I

AH521

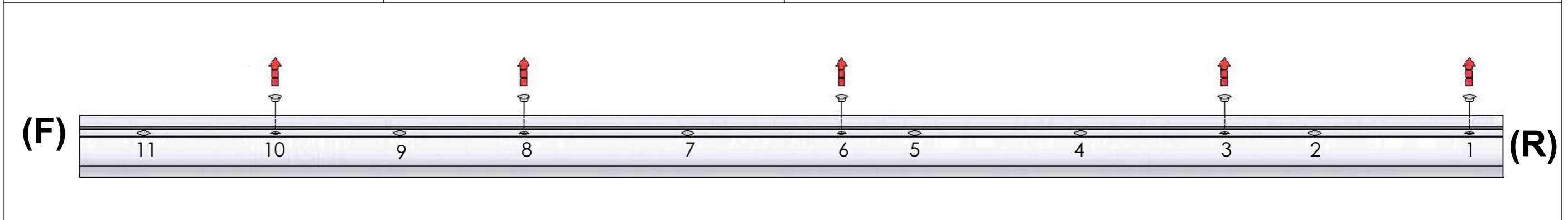
55kg + xx kg = Max. 150kg

SPRINTER/CRAFTER 2006- L3, H2, TWIN DOORS

4325mm
6940mm
2820mm

AMP20 + AMP24 = 4.4m

(F) (R)



AH522

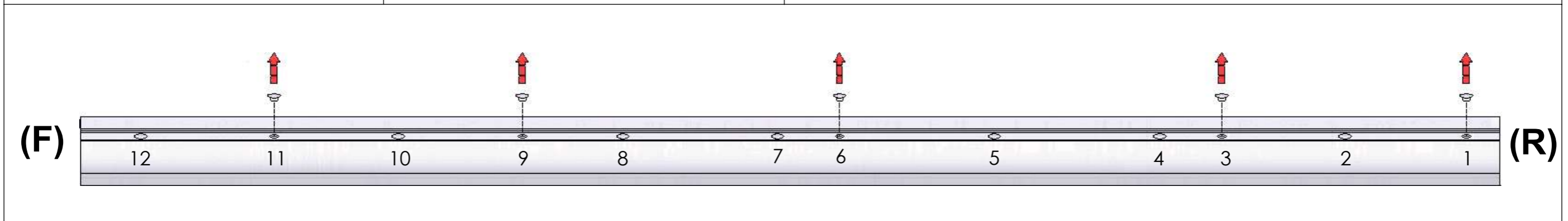
59kg + xx kg = Max. 150kg

SPRINTER/CRAFTER 2006- L4, H2, TWIN DOORS

4325mm
7345mm
2820mm

AMP24 + AMP24 = 4.8m

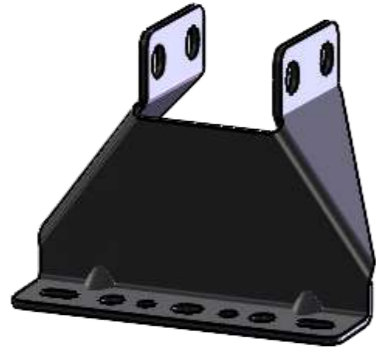
(F) (R)



MC5AX_h "MC" 10 Leg Fitting Kit Aluminium Rack (2 of 8)



EXT09-004 x 10



MS168 x 10



PS095 x 10



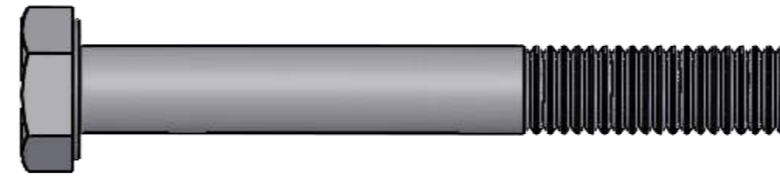
PS089 x 1



PS090 x 1



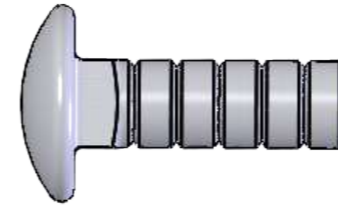
PS023 x 10



FB012 (M8 x 65) x 20



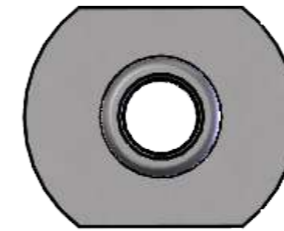
FS062 (M8 x 25) x 10



FS064 (M8 x 25) x 10

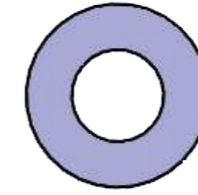


FS059 (M8 x 25) x 34



FN023 (M8) x 28

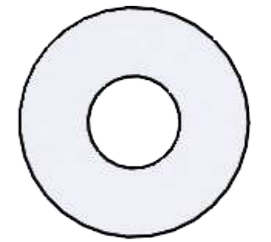
(1:1)



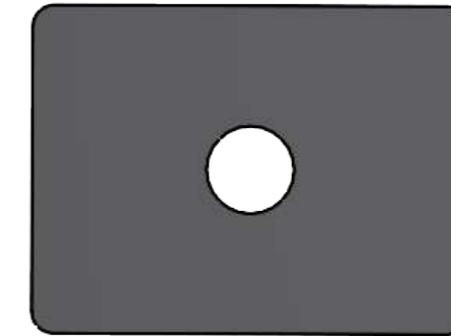
FW037 (M8) x 40



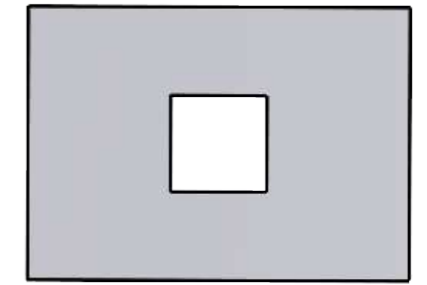
FN006 (M8) x 32



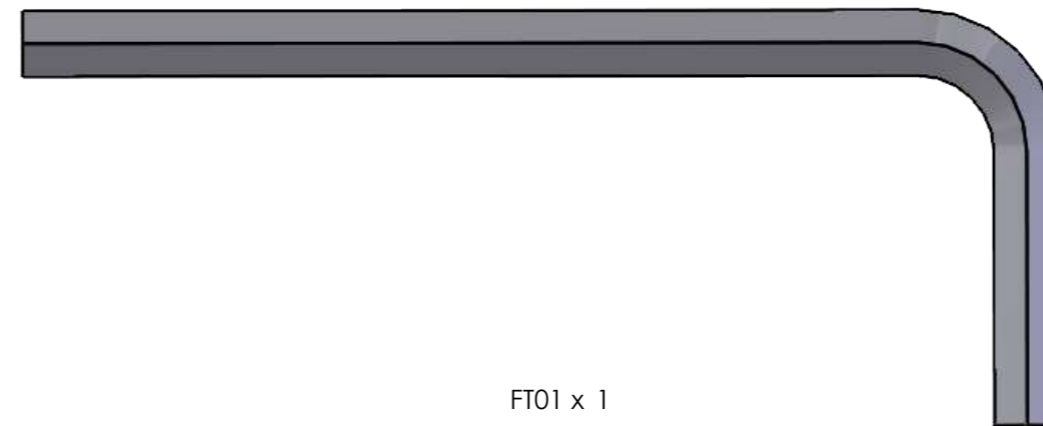
FW002 (M8) x 10



PS020 x 10



MS209 x 10



FT01 x 1



13mm x 2

