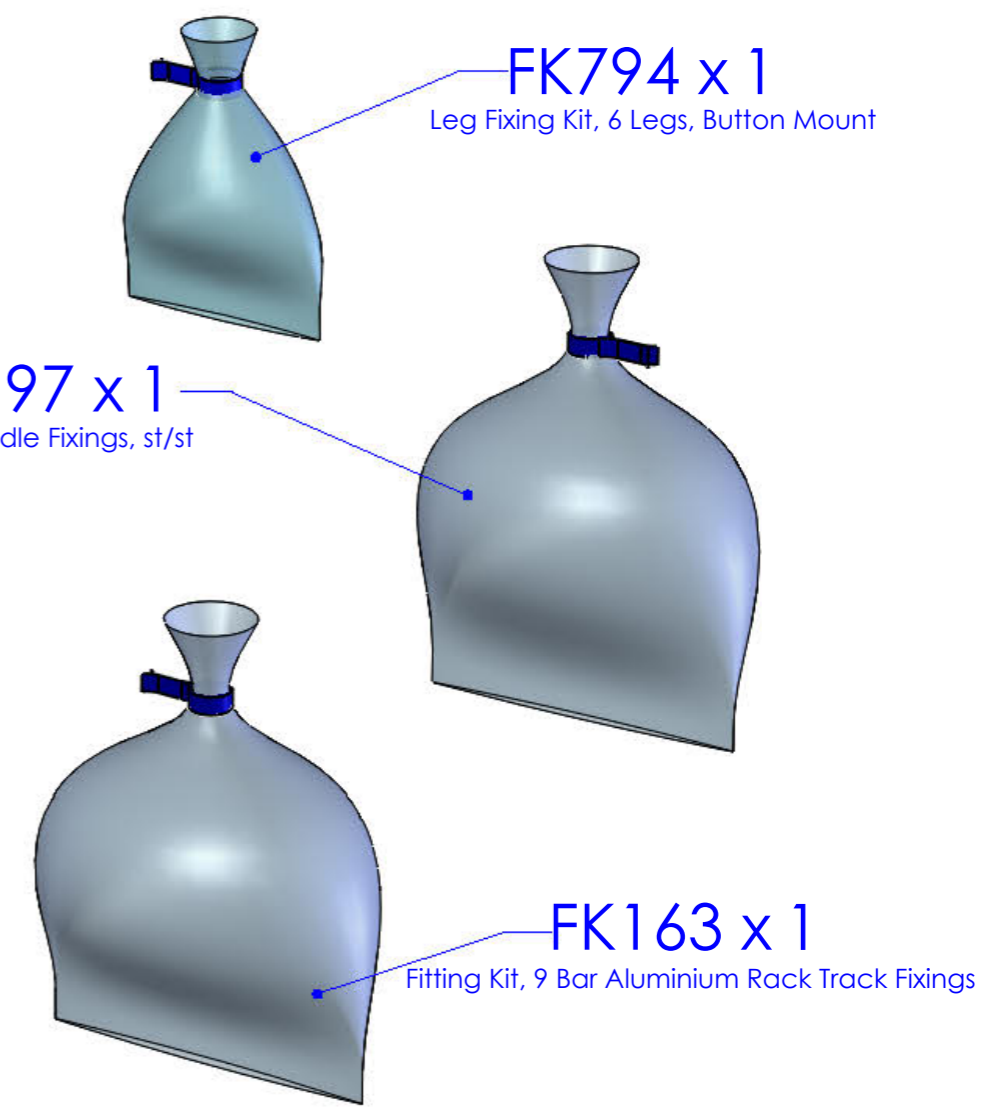
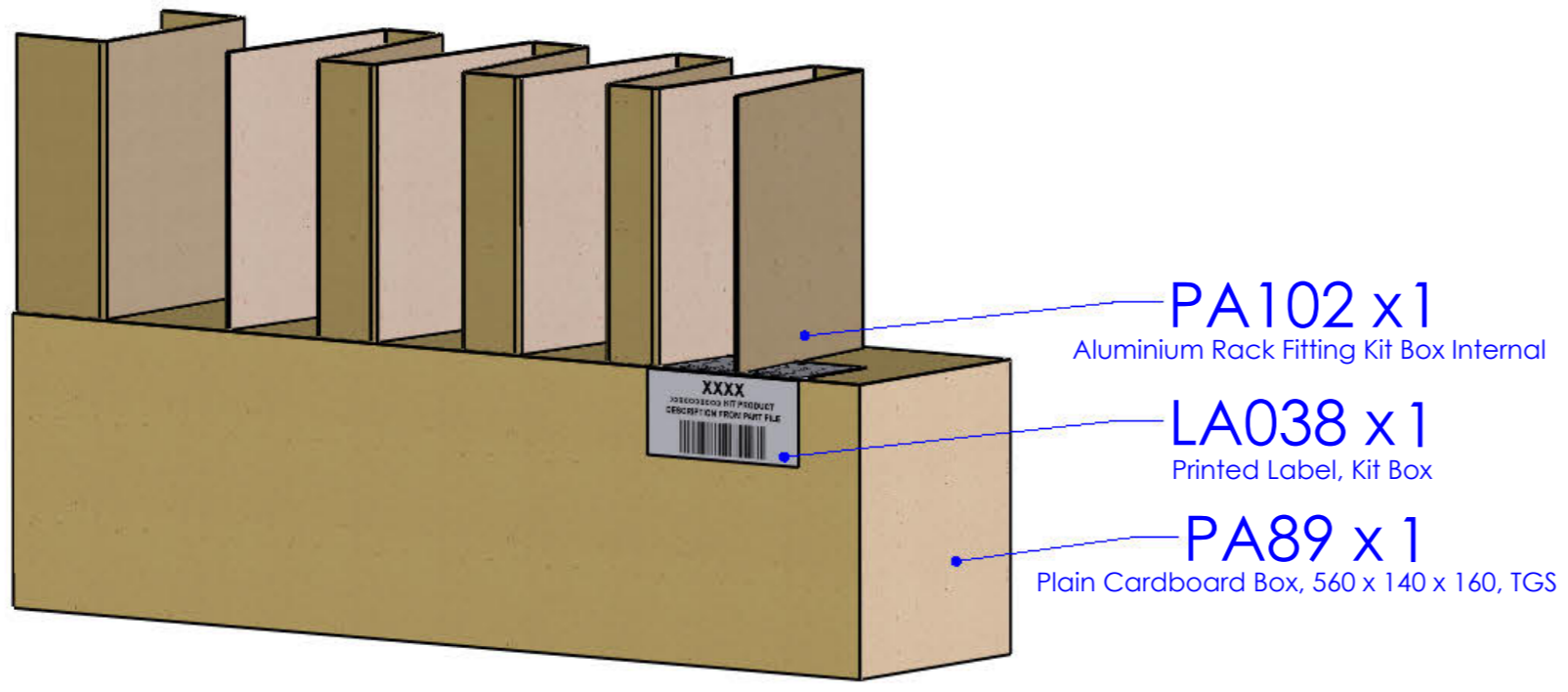


ISSUE:	DRAWN BY:	CHECKED BY:	CRF NO:	DATE:	DESCRIPTION:
e			0764		
f	JW	KB	0764	05/11/13	
g	CH	KB	1075	01/06/15	Added lubrication symbol to customer instructions
h	CH	KB	1146	08/10/15	Updated to show A546 reduced to 3.2m



Notes: 1. First pack Integral Bolt Kit into Plastic Bag, then pack this Bag with the main Kit (Cardboard Box).
 2. Fold Printed Label along edge of Kit Box.
 3. Put through heat tunnel.

DRAWING NO: IA3A (1 of 7)	DESCRIPTION: "IA" 6 Leg Fitting Kit, Aluminium Rack	DESIGNED BY: M. Davies 19/07/11
MATERIAL SIZE: n/a	MATERIAL SPEC: n/a	WEIGHT: 4.75Kg
© NOTE: This drawing is the property of Rhino Products Ltd and must not be used or copied without written consent. The Rhino Products name and logo must remain clearly visible in any reproduction.		

 THIRD ANGLE PROJECTION	
UNLESS OTHERWISE SPECIFIED: DIMENSIONS ARE IN MM	
0.00	0.2
0.0	0.5
ANG	0.5°
DERIVED DIMENSIONS SHOWN IN BRACKETS	
DEBURR AND BREAK ALL SHARP EDGES	
SHEET SIZE A3	SHEET SCALE: 2:8

A545

**JUMPER/RELAY/BOXER/DUCATO
2002-
L1, H1, TWIN DOORS**

+
=

Max.
150kg

44kg

A546

**JUMPER/RELAY/BOXER/DUCATO
2002-
L2, H1, TWIN DOORS**

+
=

Max.
150kg

44kg

A547

**JUMPER/RELAY/BOXER/DUCATO
2002-
L2, H2, TWIN DOORS**

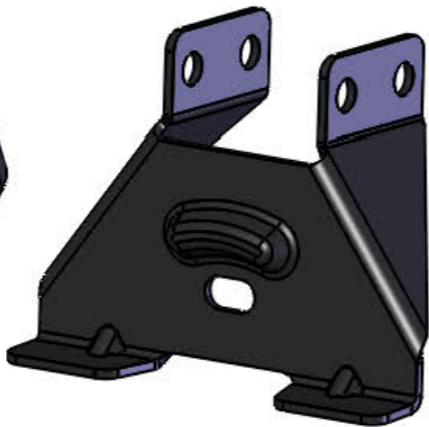
+
=

Max.
150kg

44kg



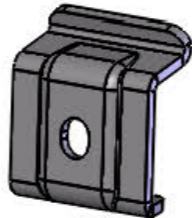
PS095 x 6



MS170 x 6



EXT09-004 x 6



MS202 x 6



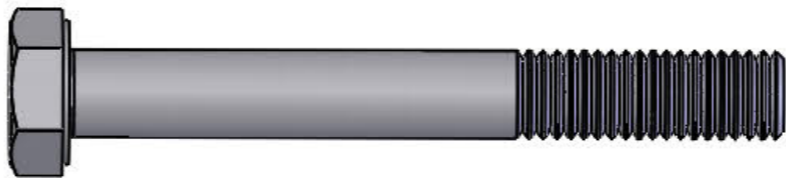
PS089 x 1



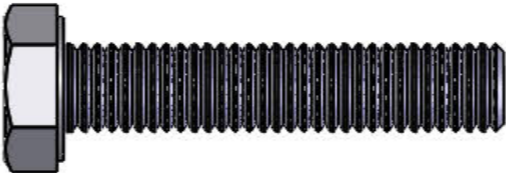
PS090 x 1



PS047 x 6



FB012 (M8 x 65) x 12

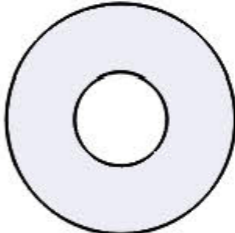


FS066 (M8 x 40) x 6

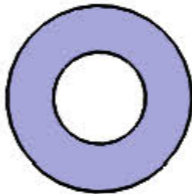


FS059 (M8 x 25) x 22

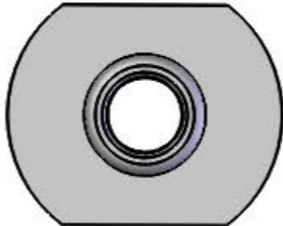
(1:1)



FW002 (M8) x 24



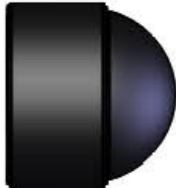
FW021 (M8) x 12



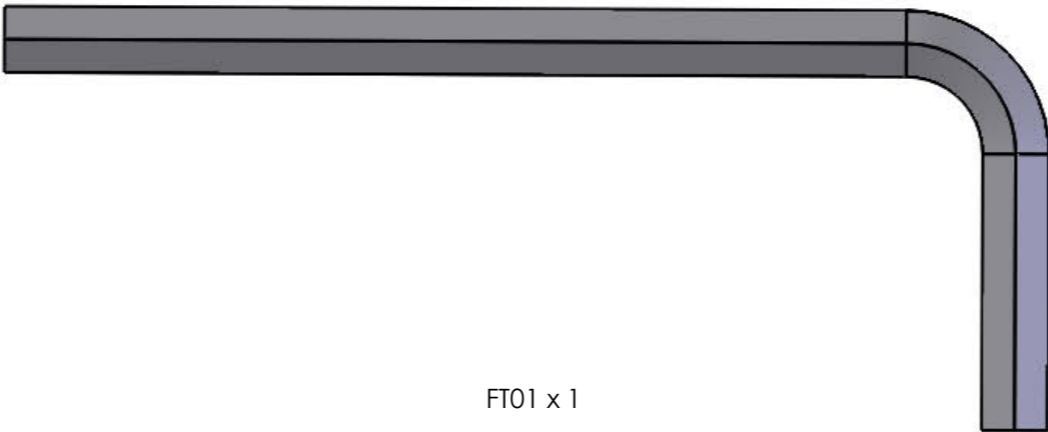
FN023 (M8) x 22



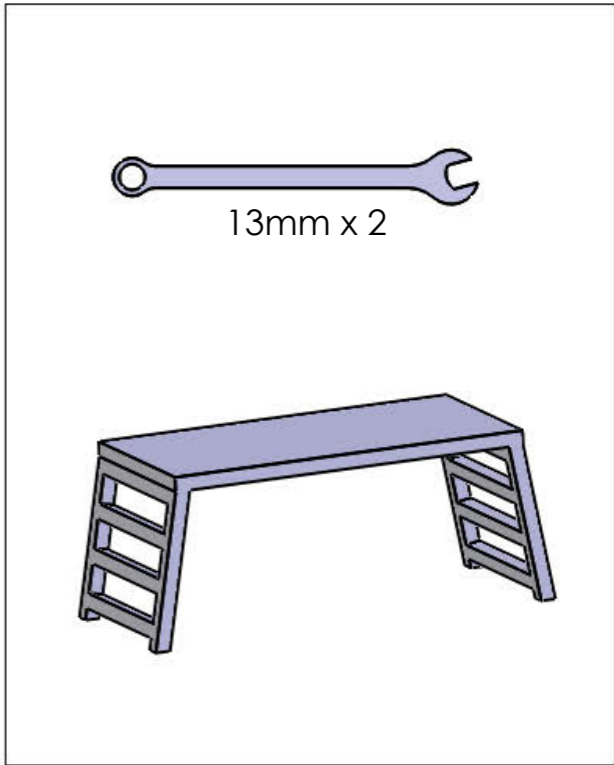
FN006 (M8) x 18



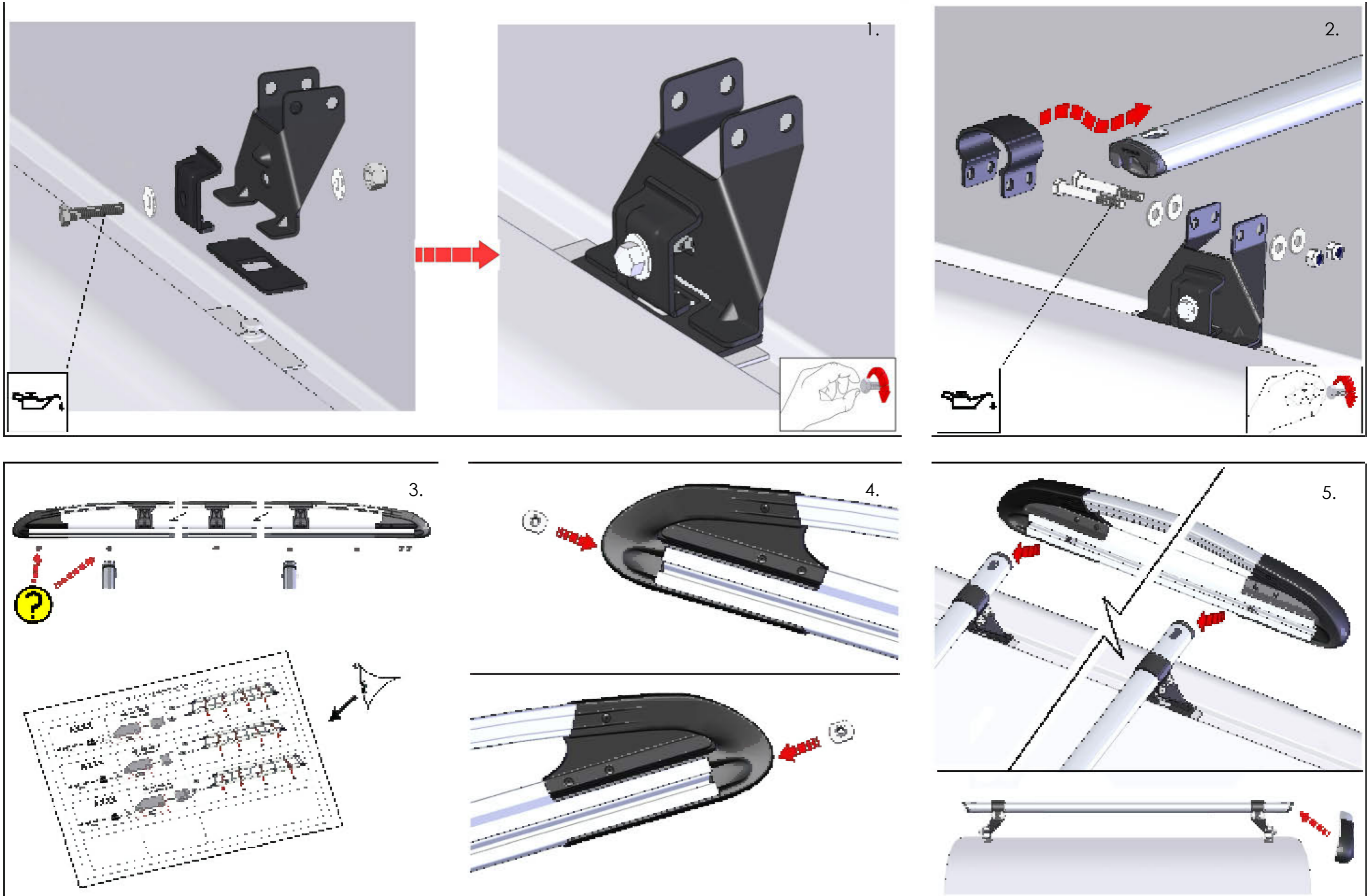
PS065 (M8) x 6

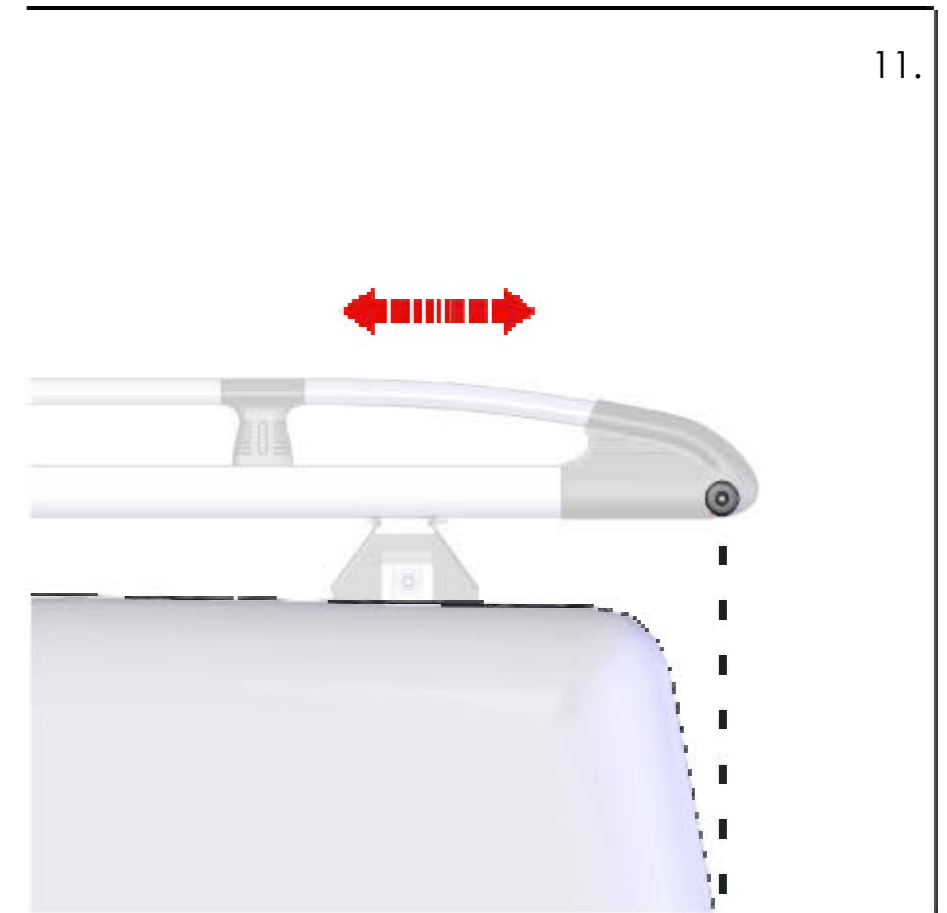
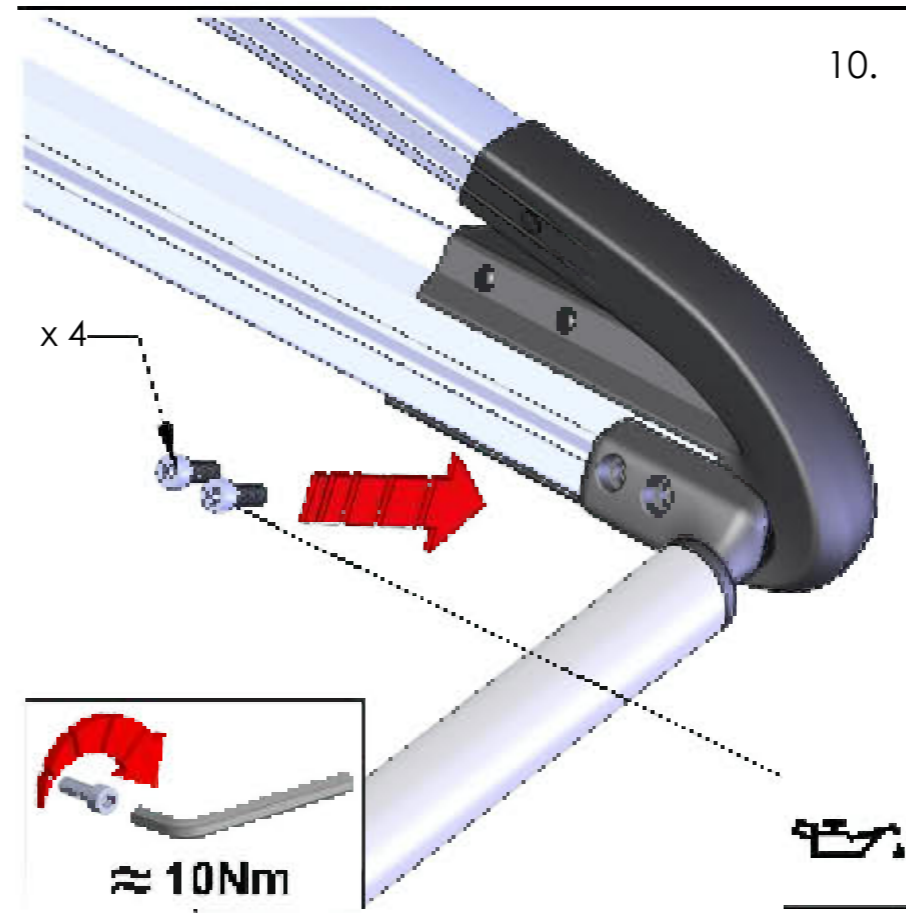
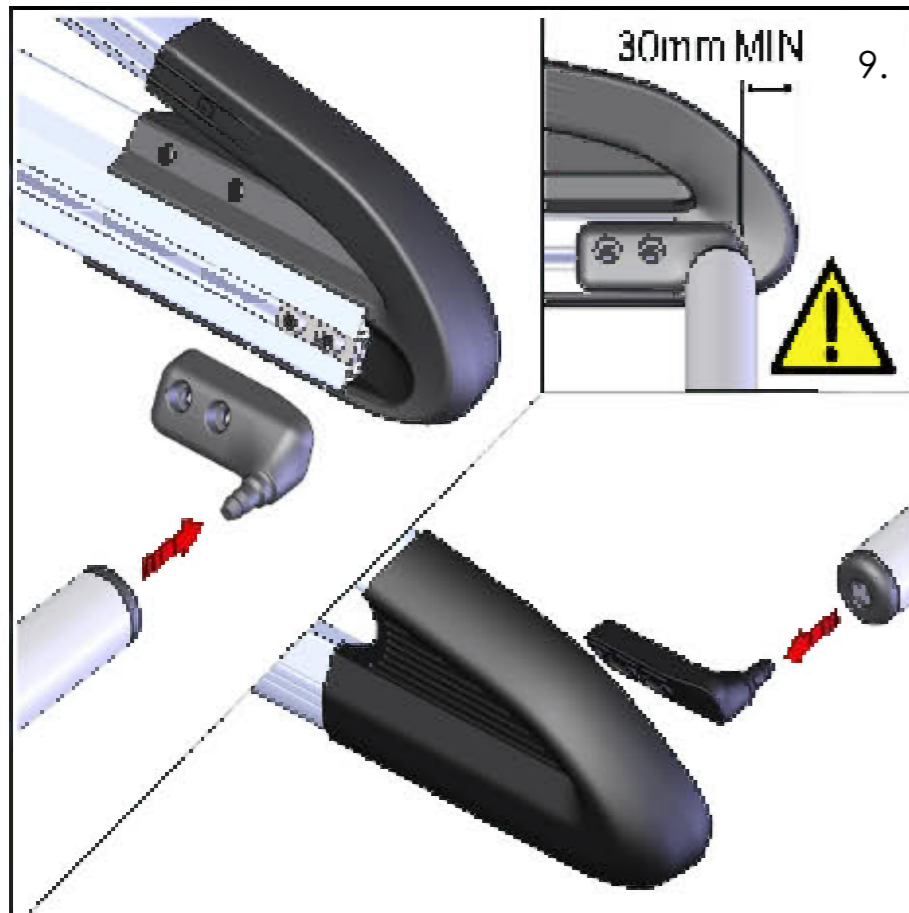
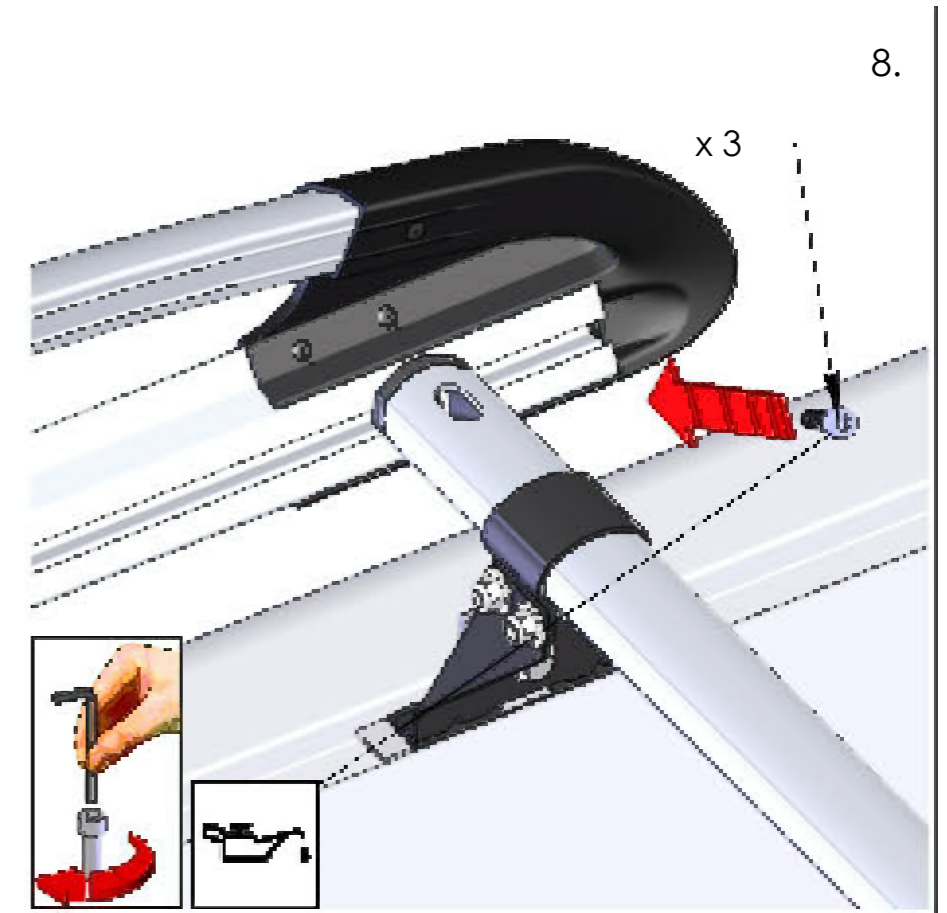
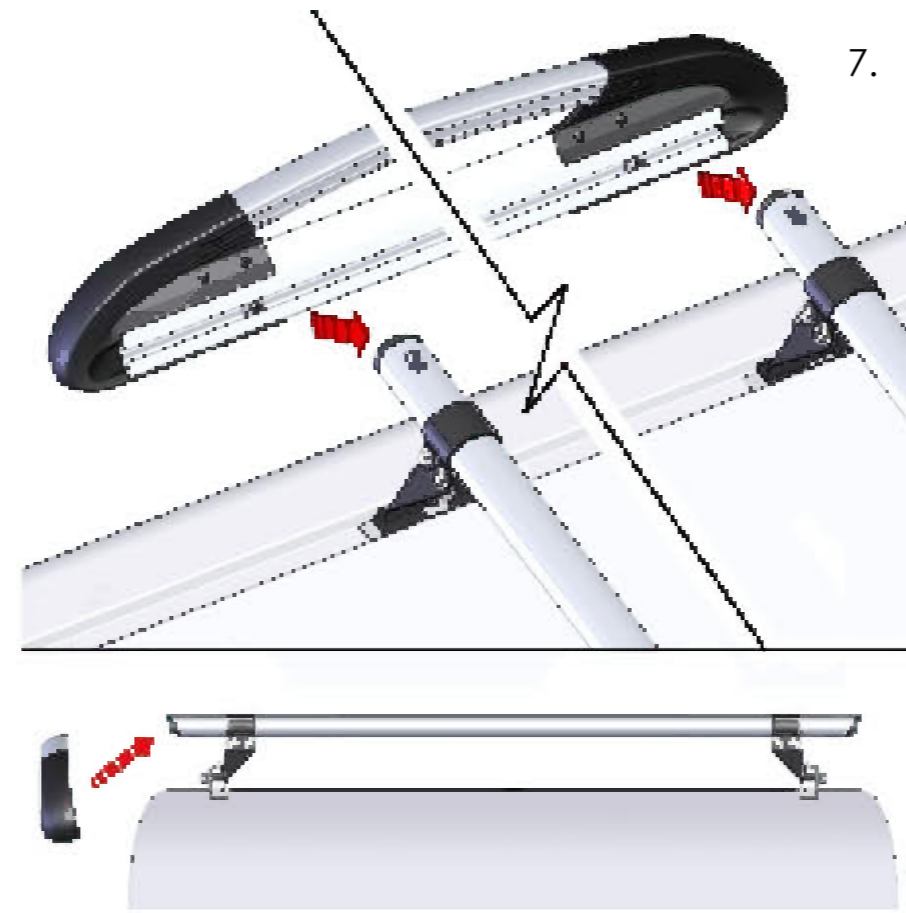
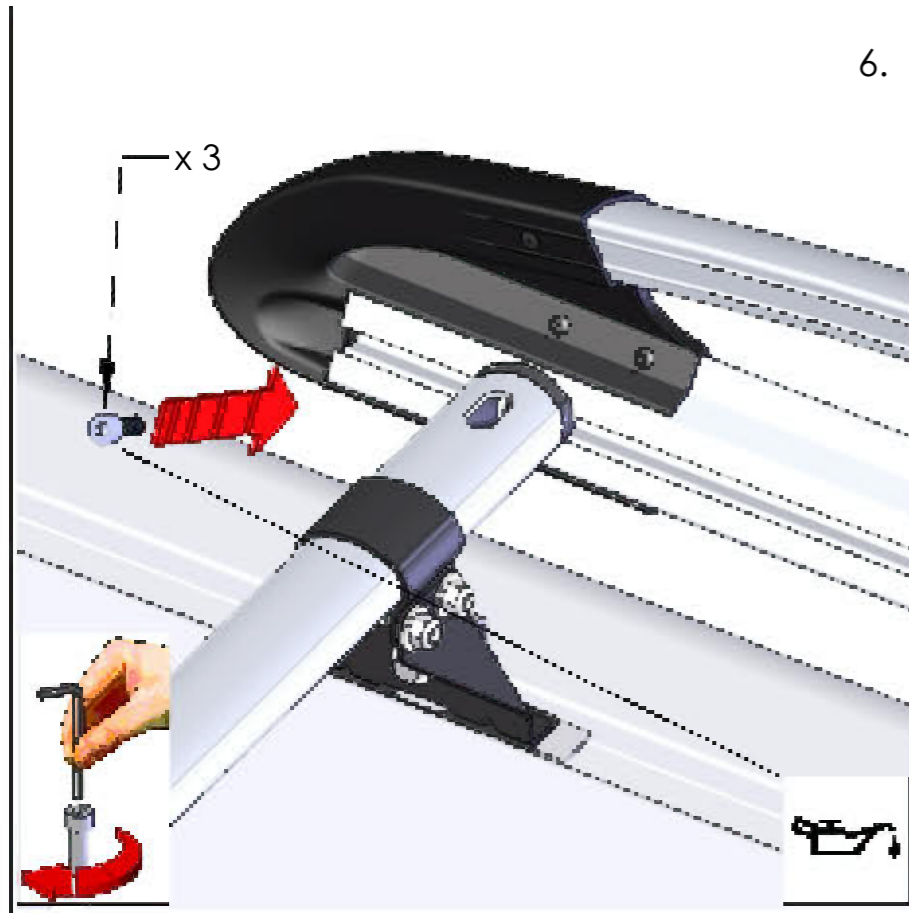


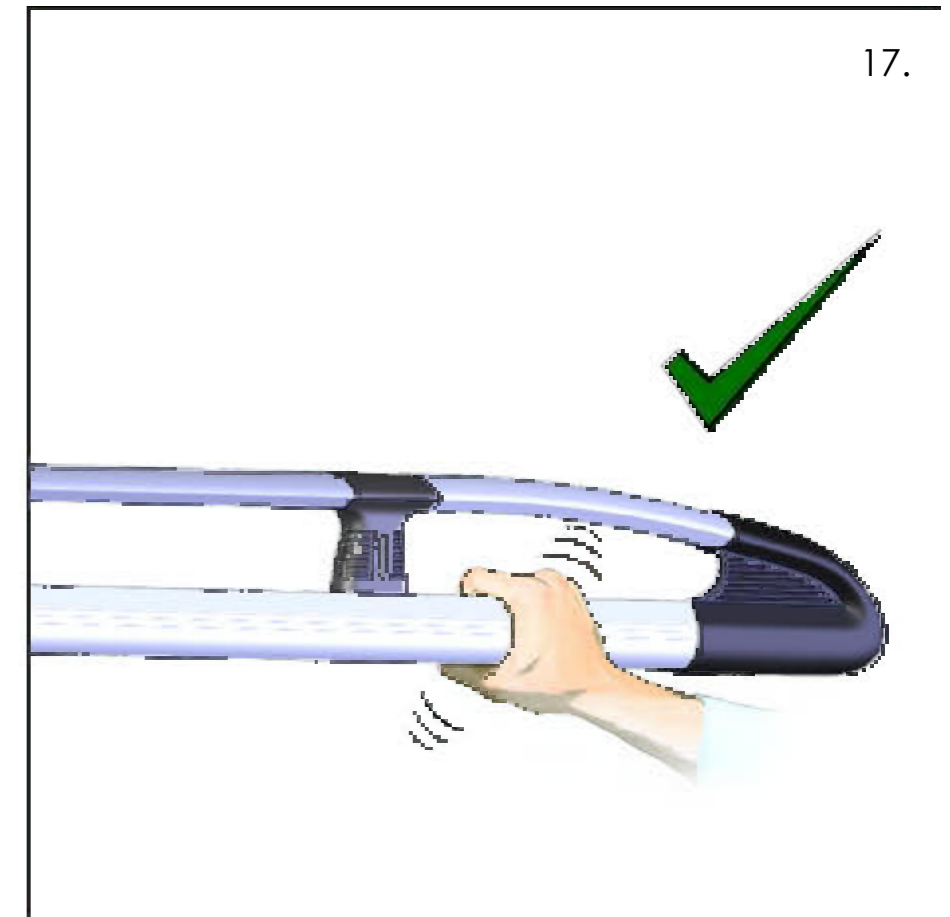
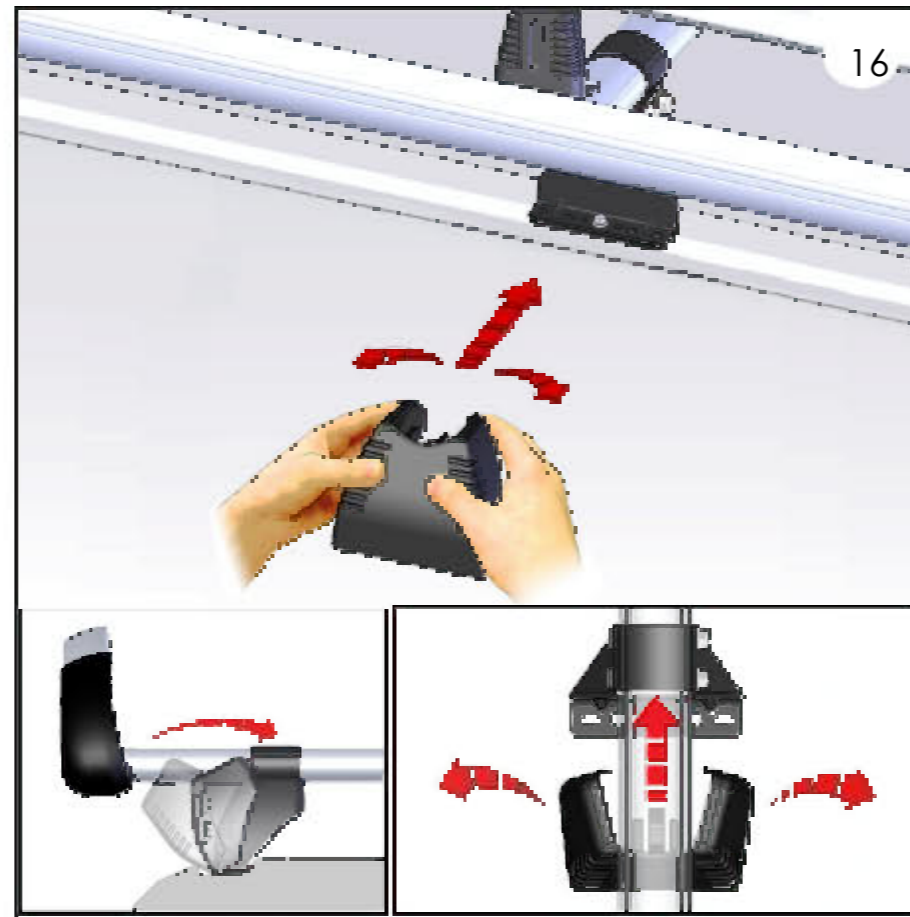
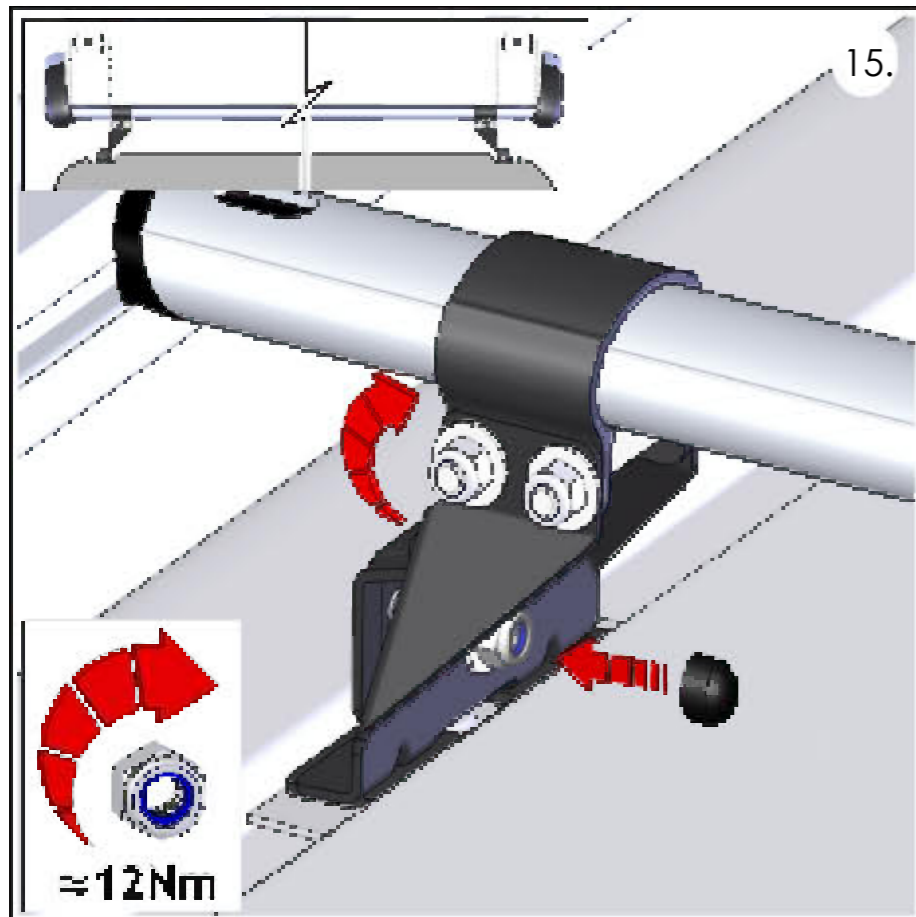
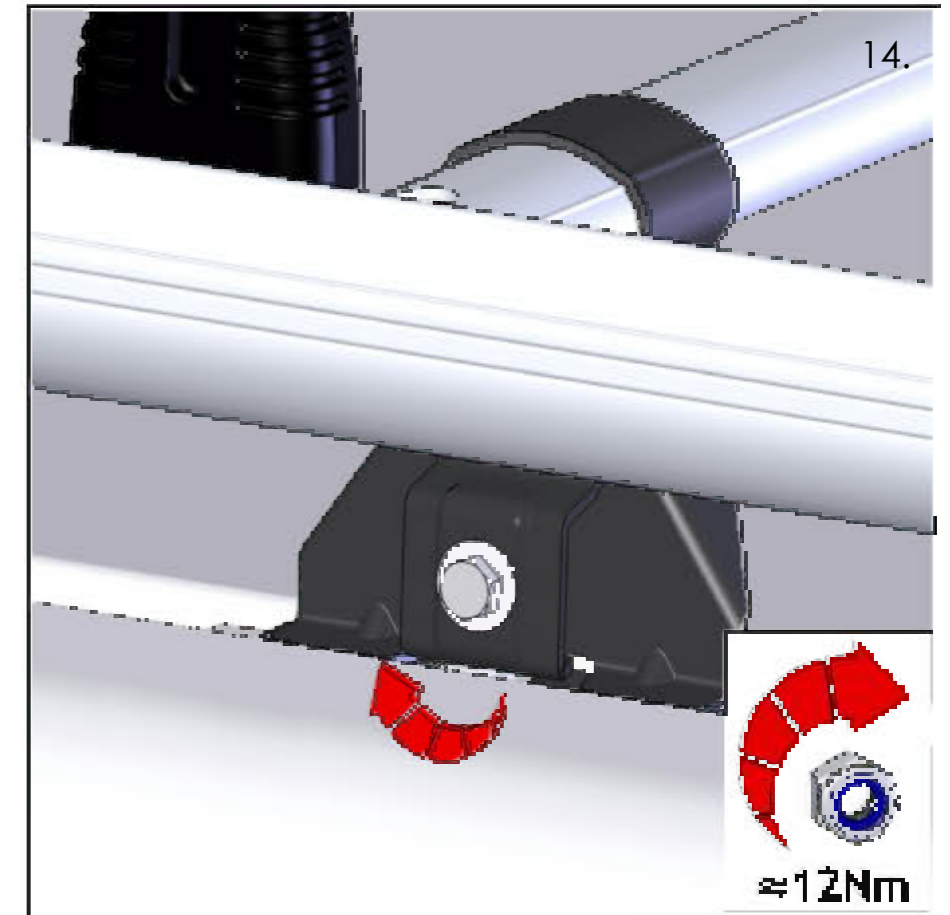
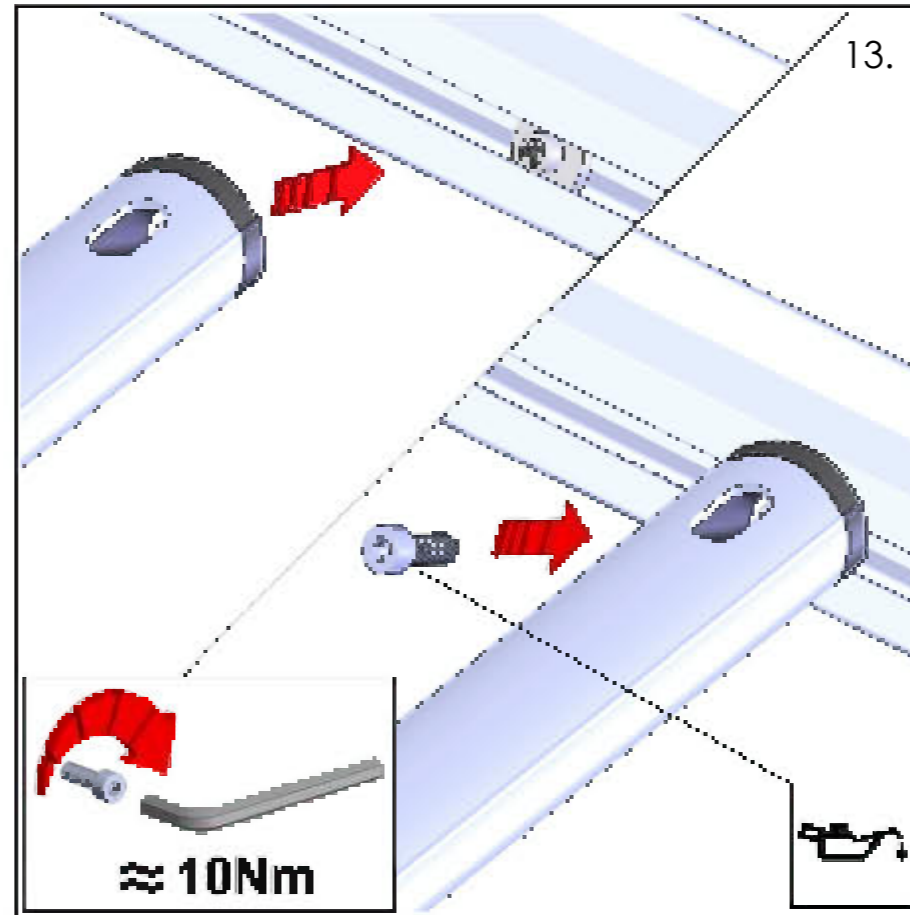
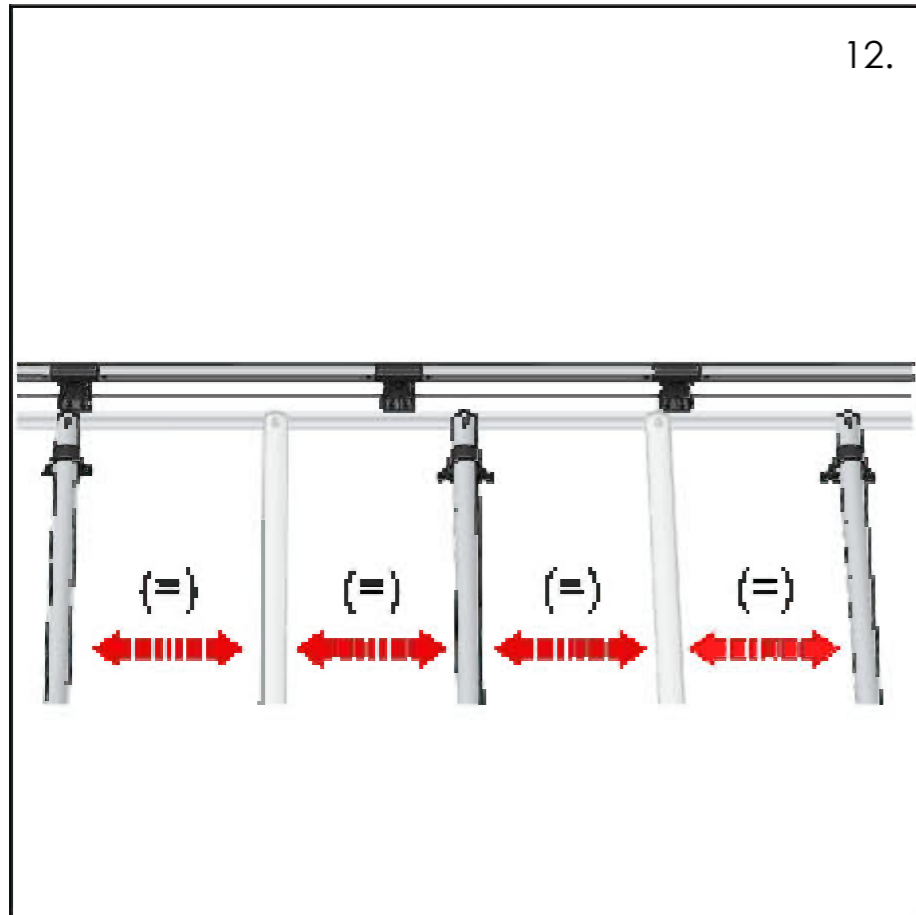
FT01 x 1

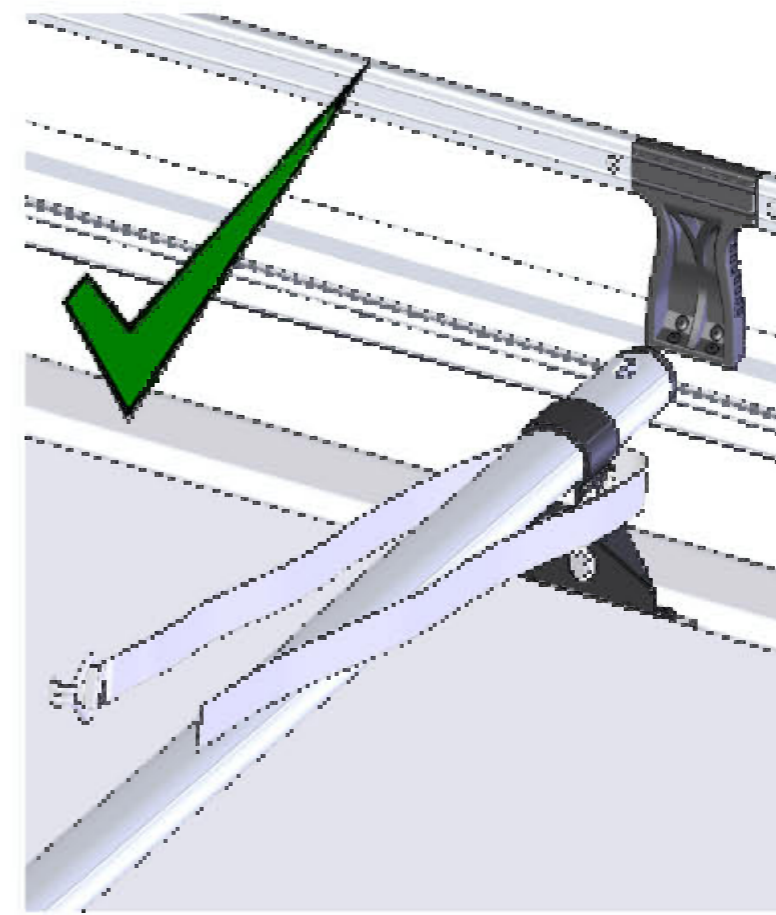
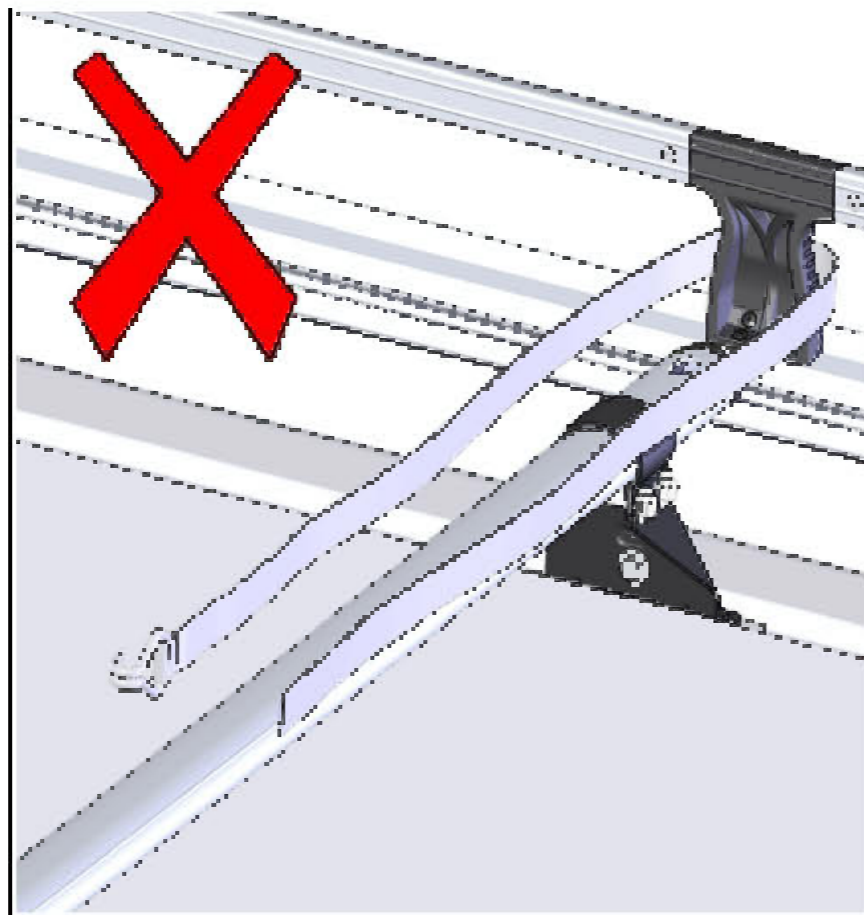
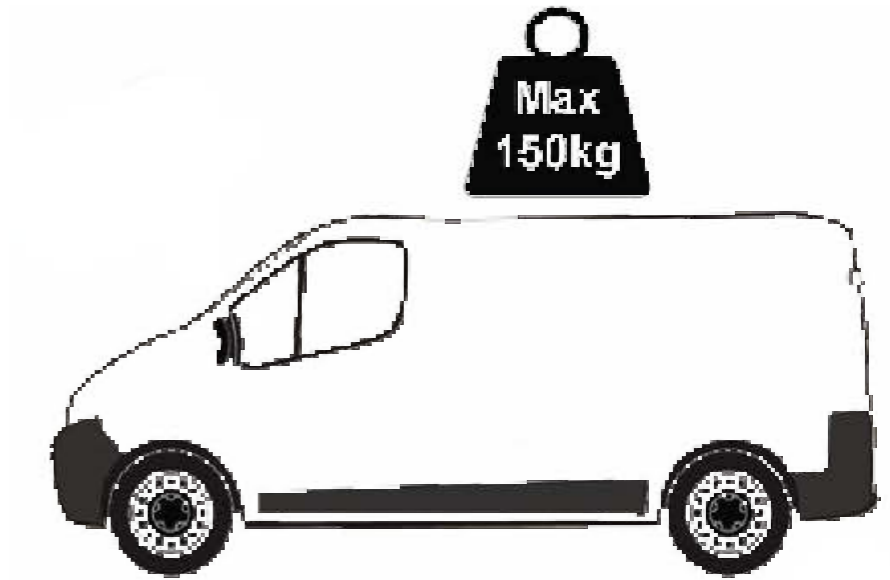
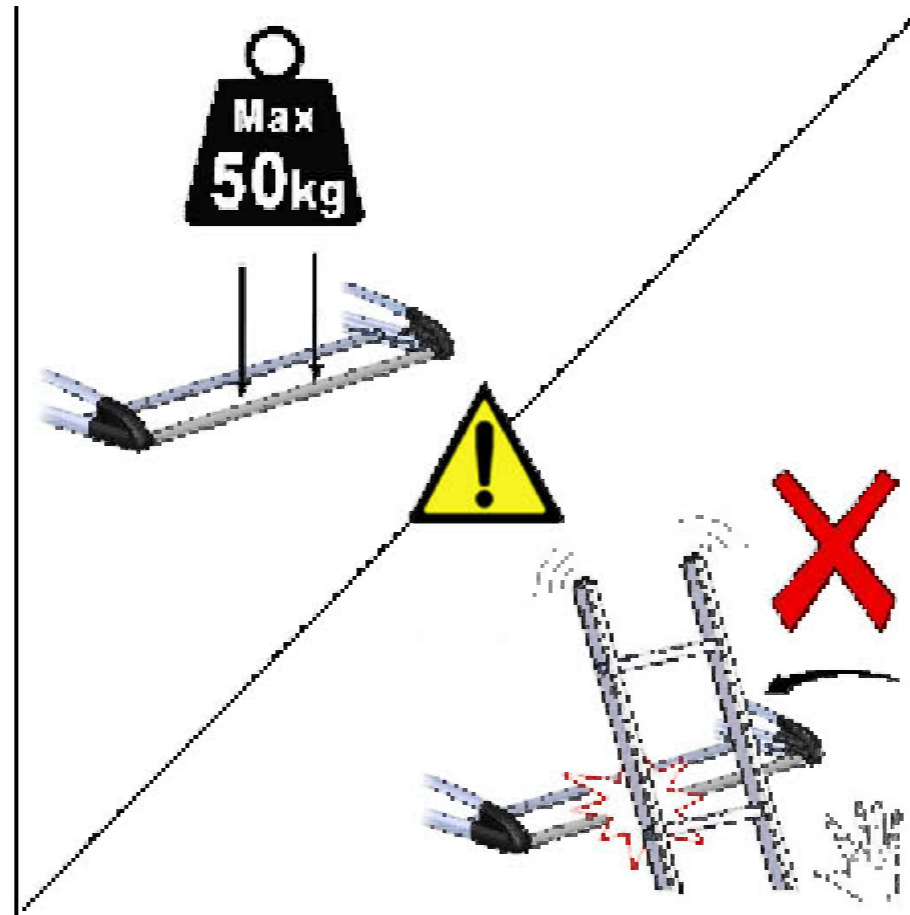
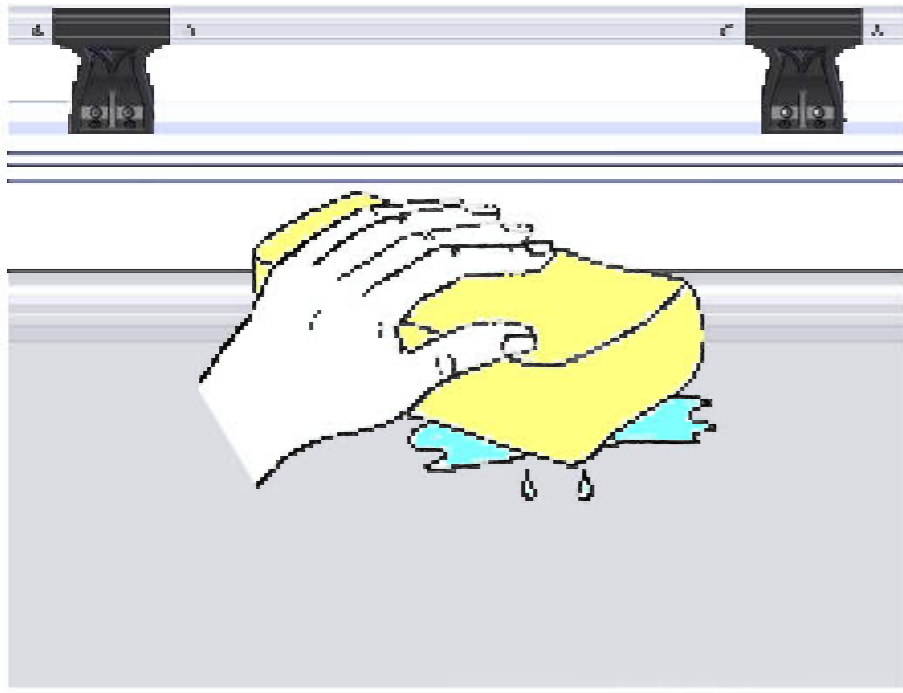



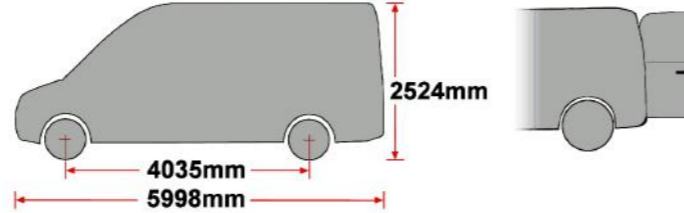
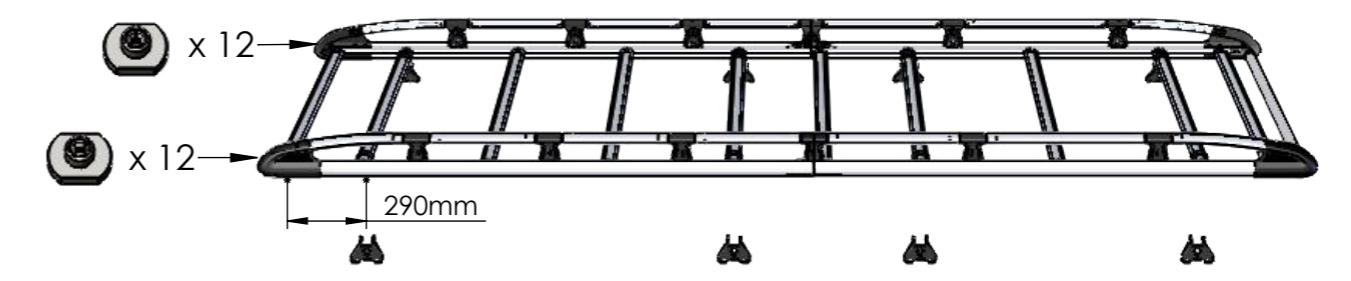
13mm x 2


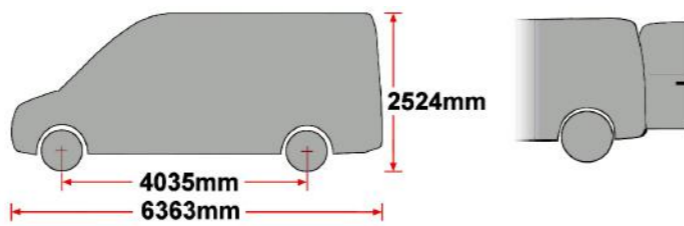
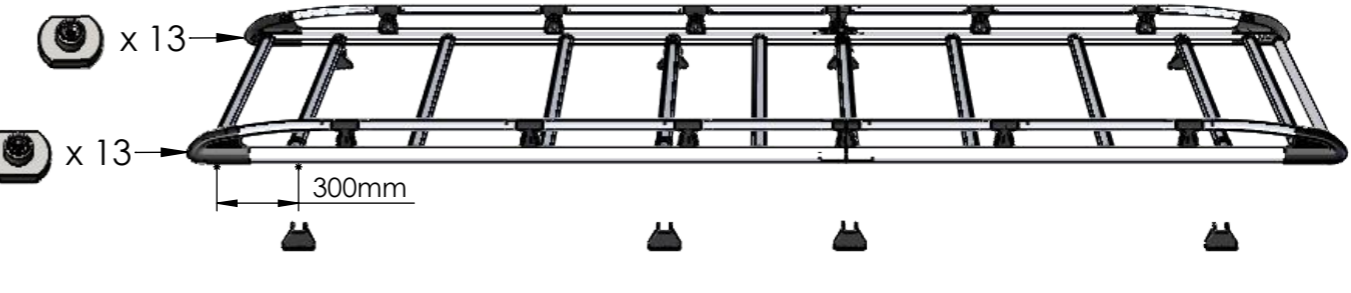



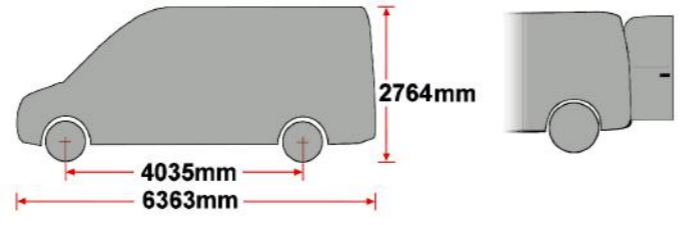





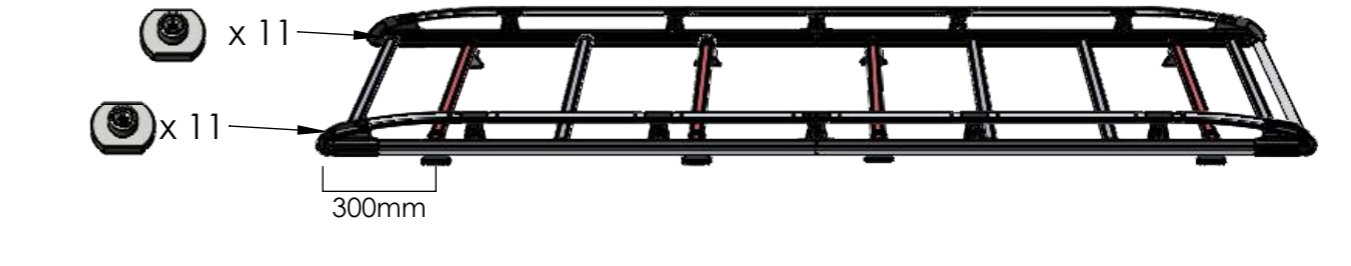


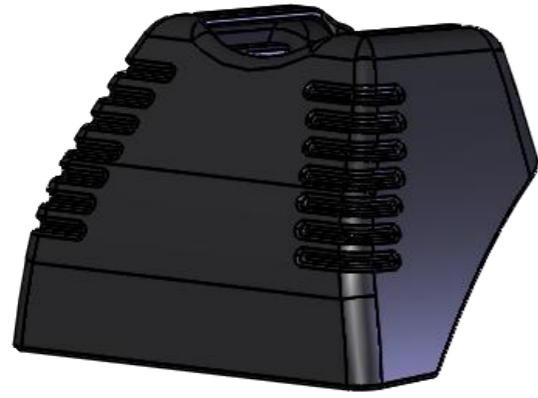


<h1>A548</h1>  <p>51kg + xx kg = Max. 150kg</p>	<p>JUMPER/RELAY/BOXER/DUCATO 2006- L3, H2, TWIN DOORS</p>  <p>4035mm 5998mm 2524mm</p>	<p>AMP20 + AMP18 = 3.8m</p>  <p>x 12 x 12 290mm</p>
--	---	--

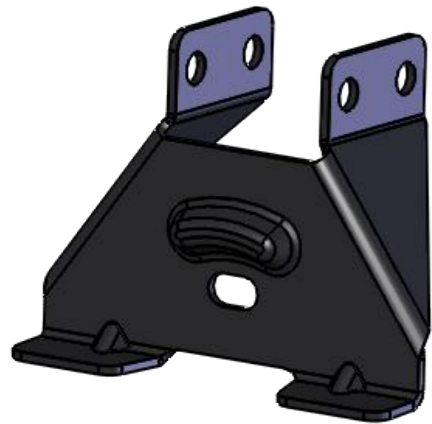
<h1>A587</h1>  <p>55kg + xx kg = Max. 150kg</p>	<p>JUMPER/RELAY/BOXER/DUCATO 2006- L4, H2, TWIN DOORS</p>  <p>4035mm 6363mm 2524mm</p>	<p>AMP24 + AMP18 = 4.2m</p>  <p>x 13 x 13 300mm</p>
---	--	---

<h1>A618</h1>  <p>48kg + xx kg = Max. 150kg</p>	<p>JUMPER/RELAY/BOXER/DUCATO 2006- L4, H3, TWIN DOORS</p>  <p>4035mm 6363mm 2764mm</p>	<p>AMP24 + AMP18 = 4.2m</p>  <p>x 13 x 13 300mm</p>
--	---	--

<h1>A652</h1>  <p>44kg + xx kg = Max. 150kg</p>	<p>JUMPER/RELAY/BOXER/DUCATO 2006- L3, H3, TWIN DOORS</p>  <p>4035mm 5998mm 2764mm</p>	<p>AMP18 + AMP18 = 3.6m</p>  <p>x 11 x 11 300mm</p>
--	---	--



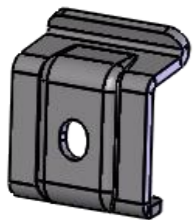
PS095 x 8



MS170 x 8



EXT09-004 x 8



MS202 x 8



PS089 x 1



PS047 x 8

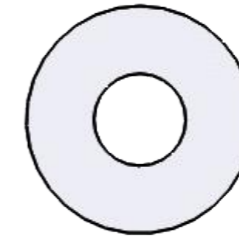


PS090 x 1



FB012 (M8 x 65) x 16

(1:1)



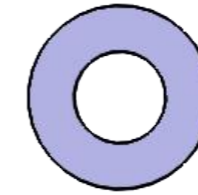
FW002 (M8) x 32



FN006 (M8) x 26



FS066 (M8 x 40) x 8



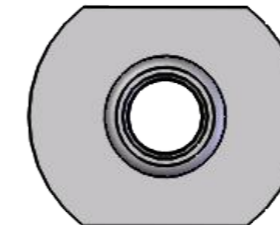
FW021 (M8) x 16



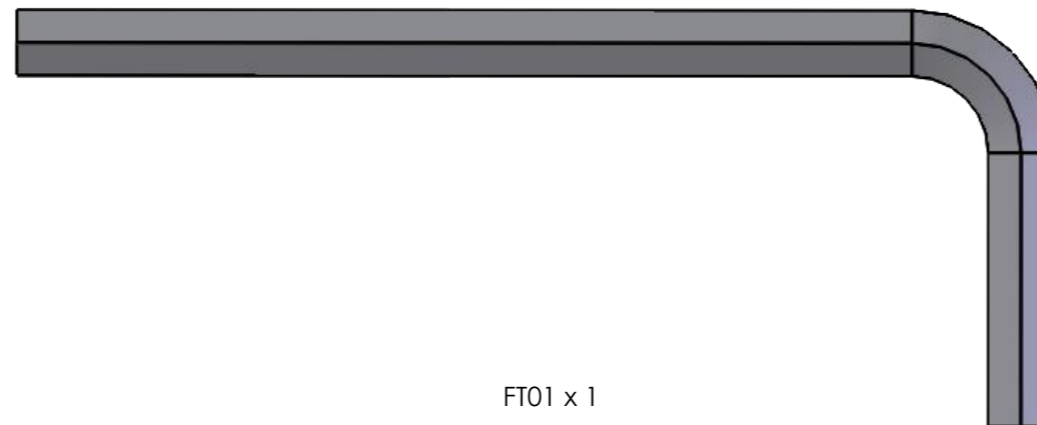
PS065 x 8



FS059 (M8 x 25) x 32



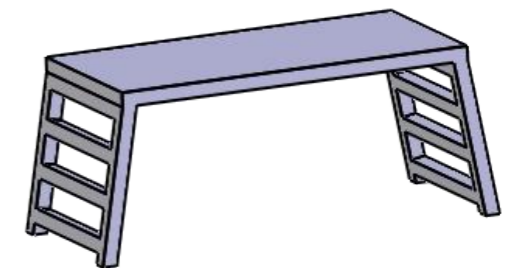
FN023 (M8) x 26

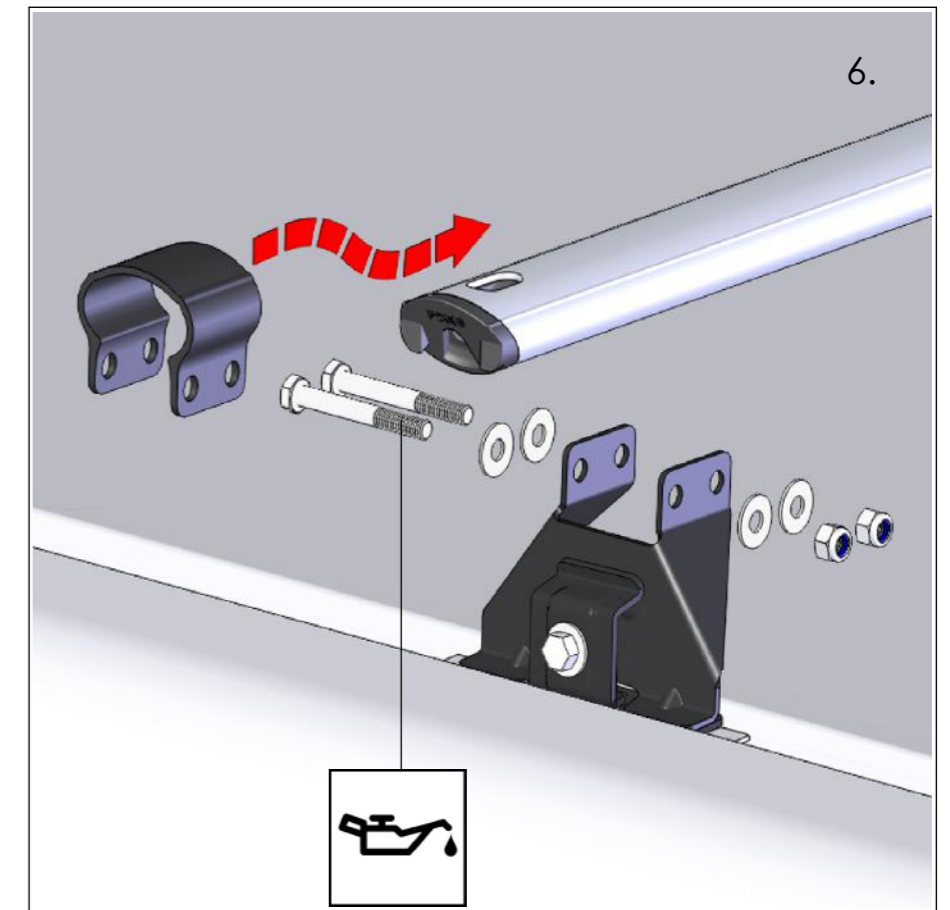
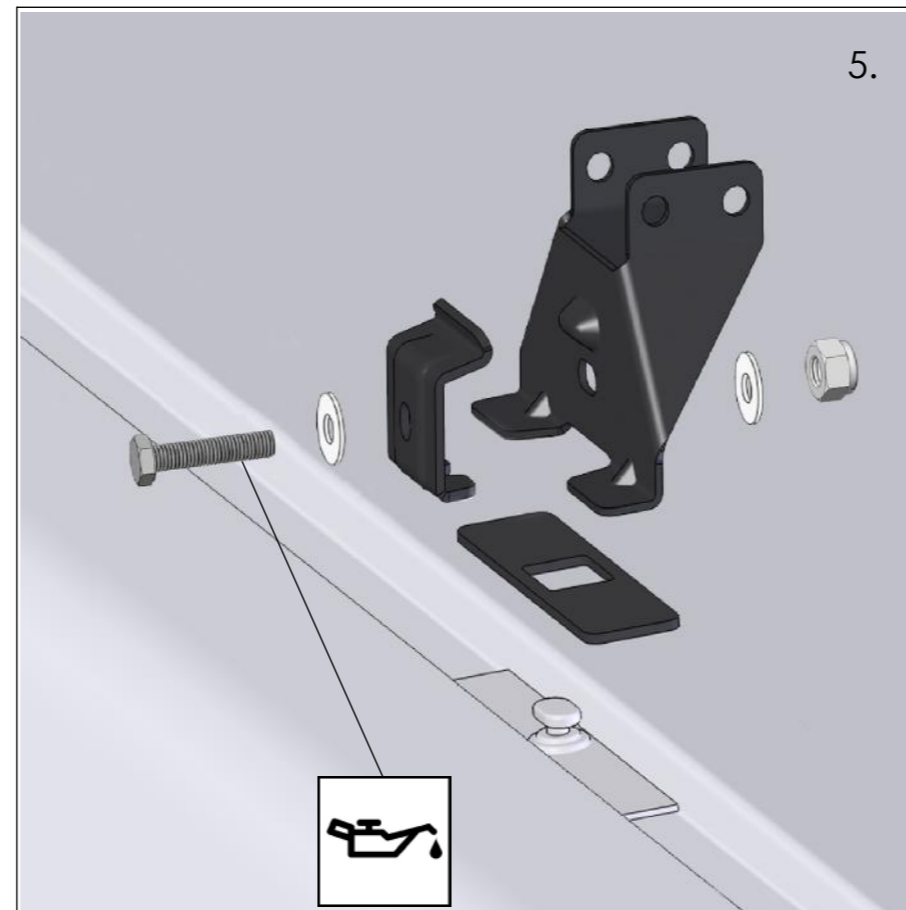
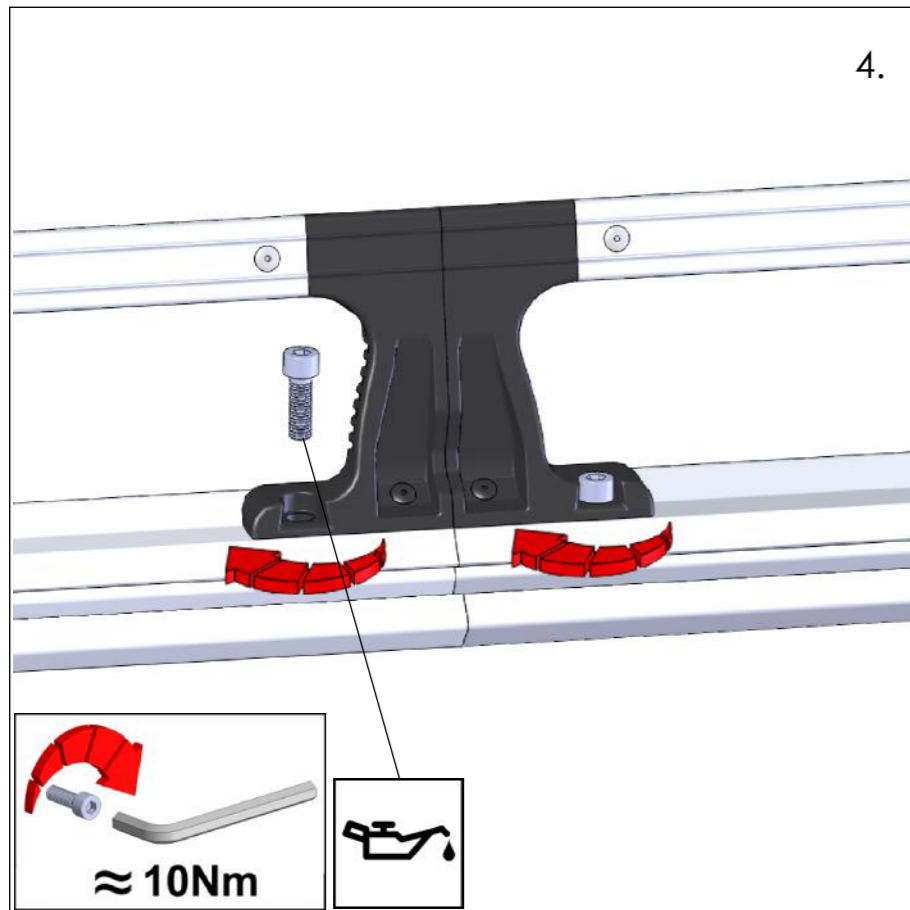
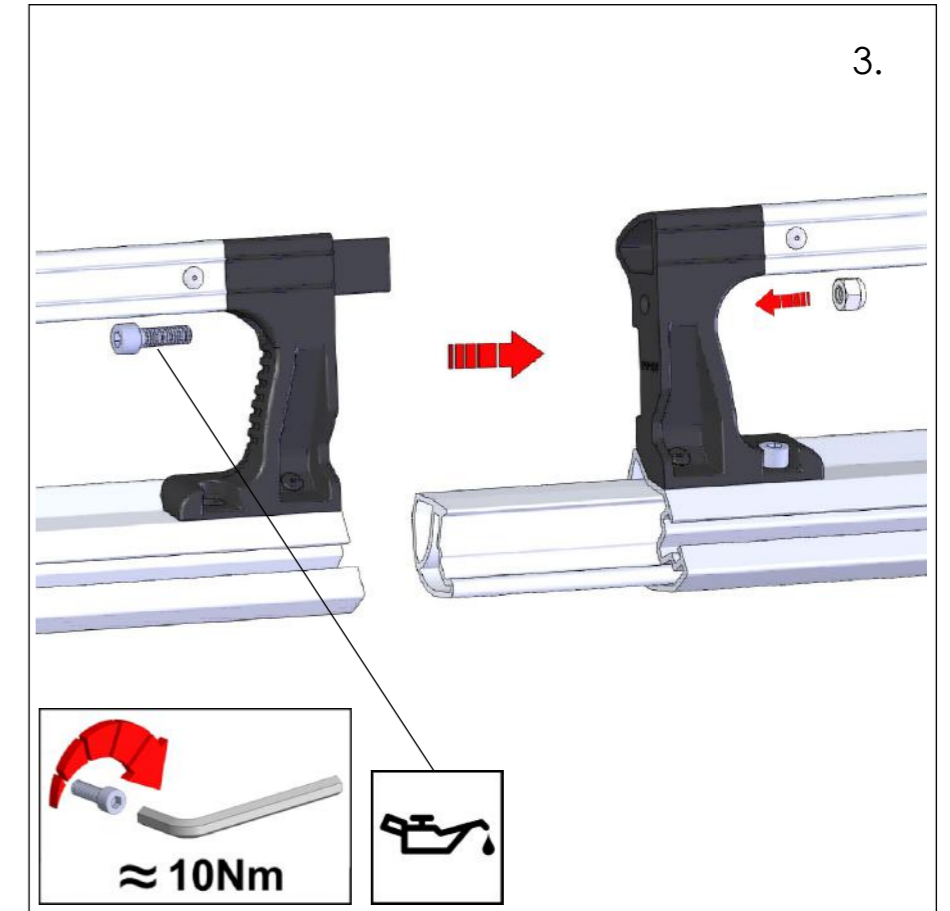
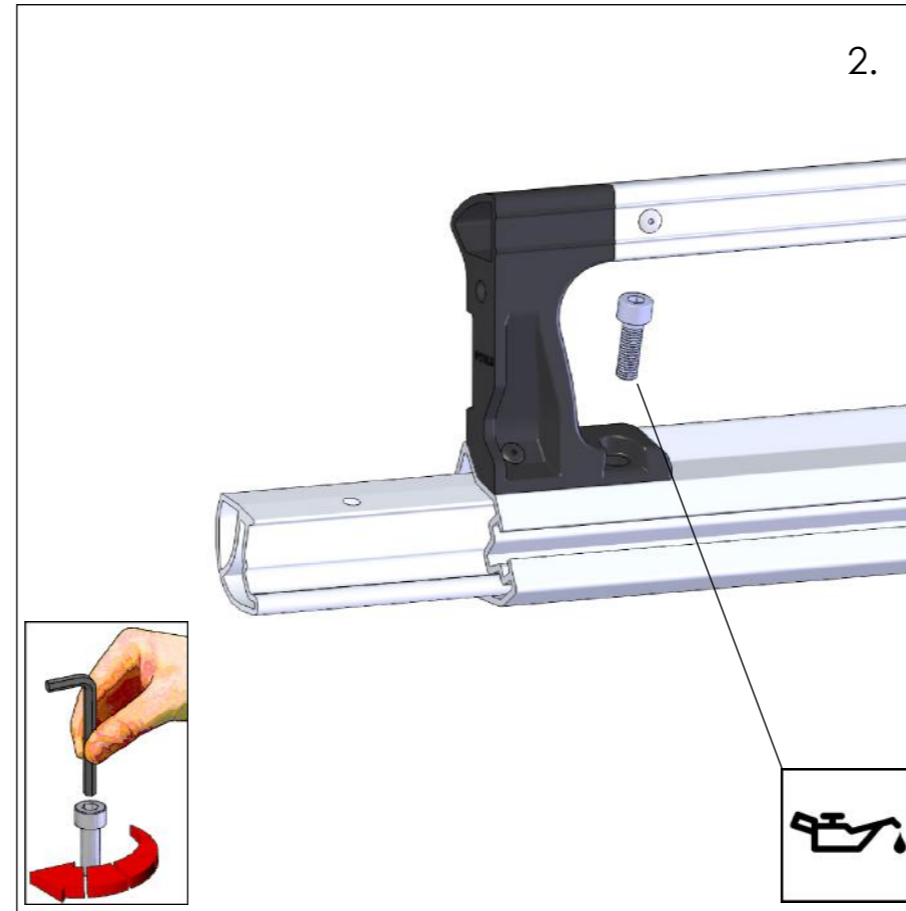
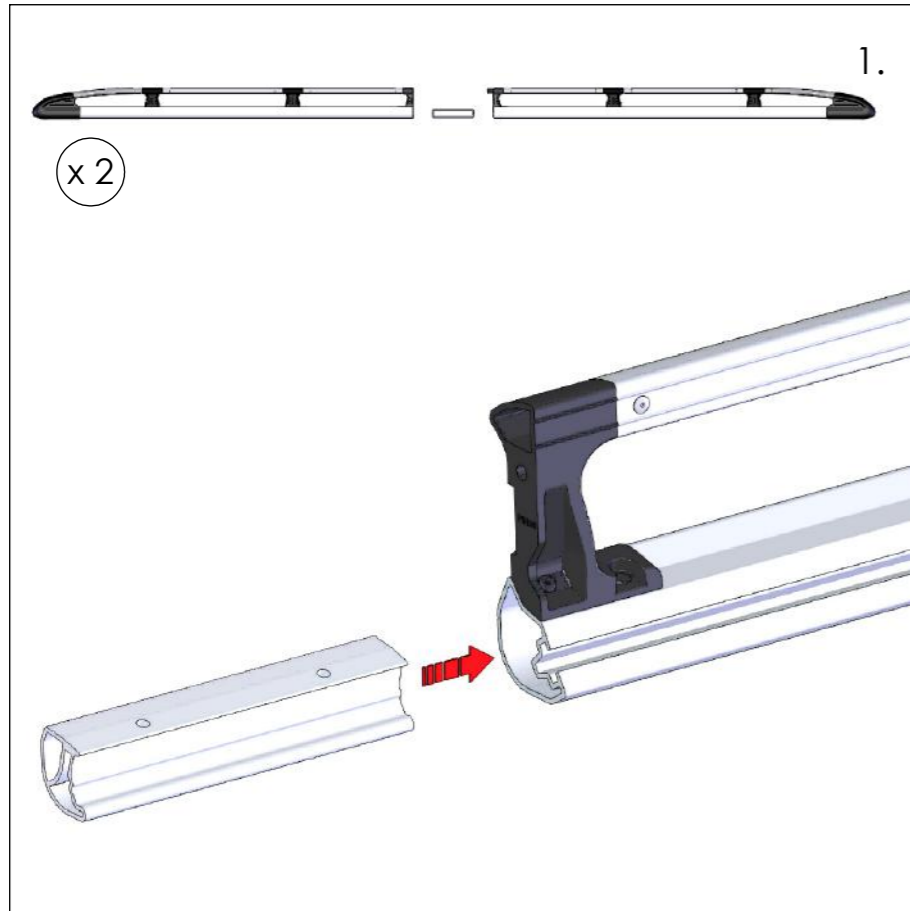


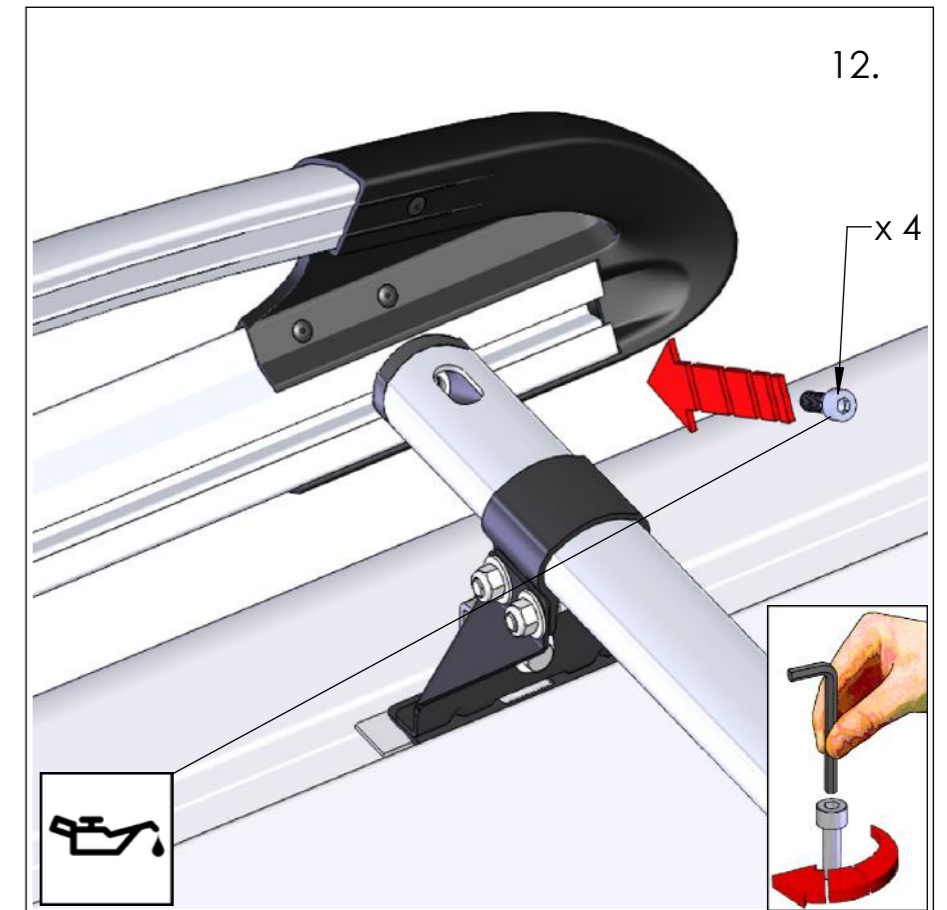
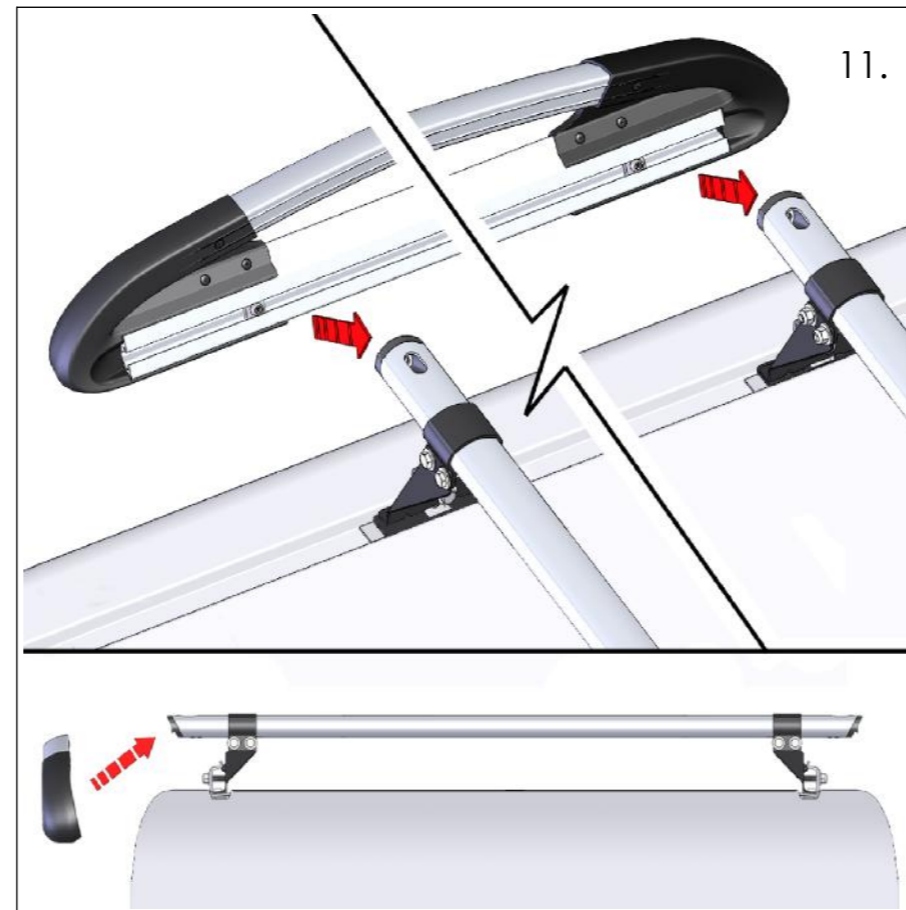
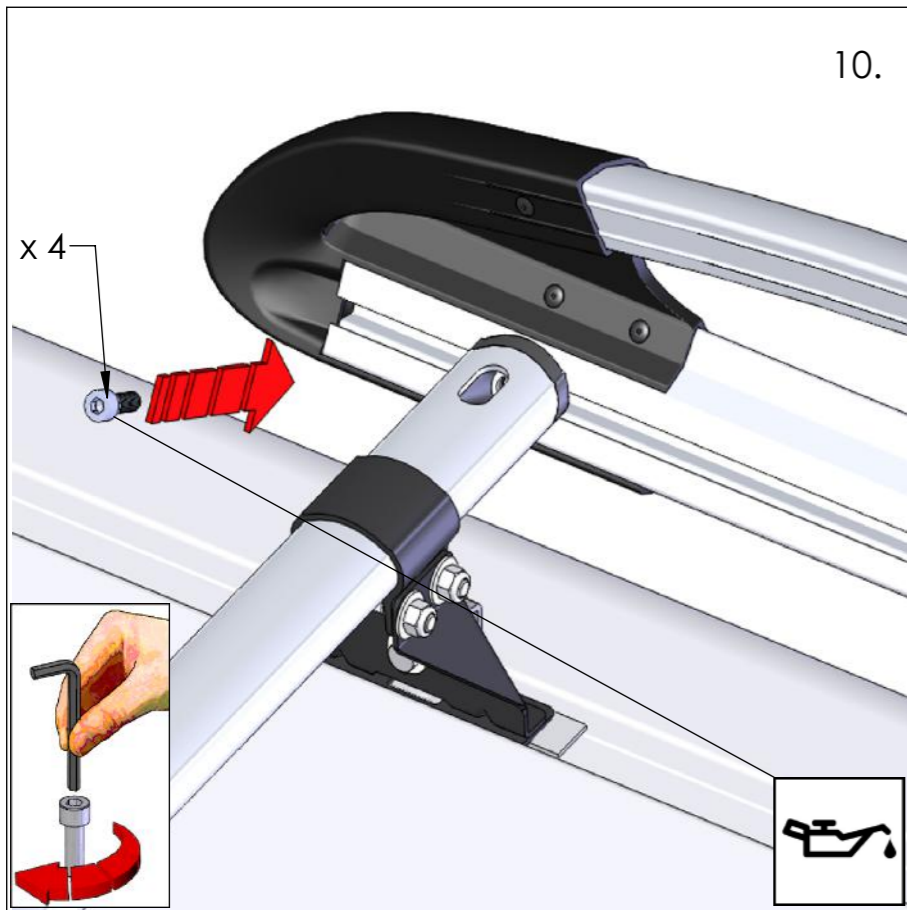
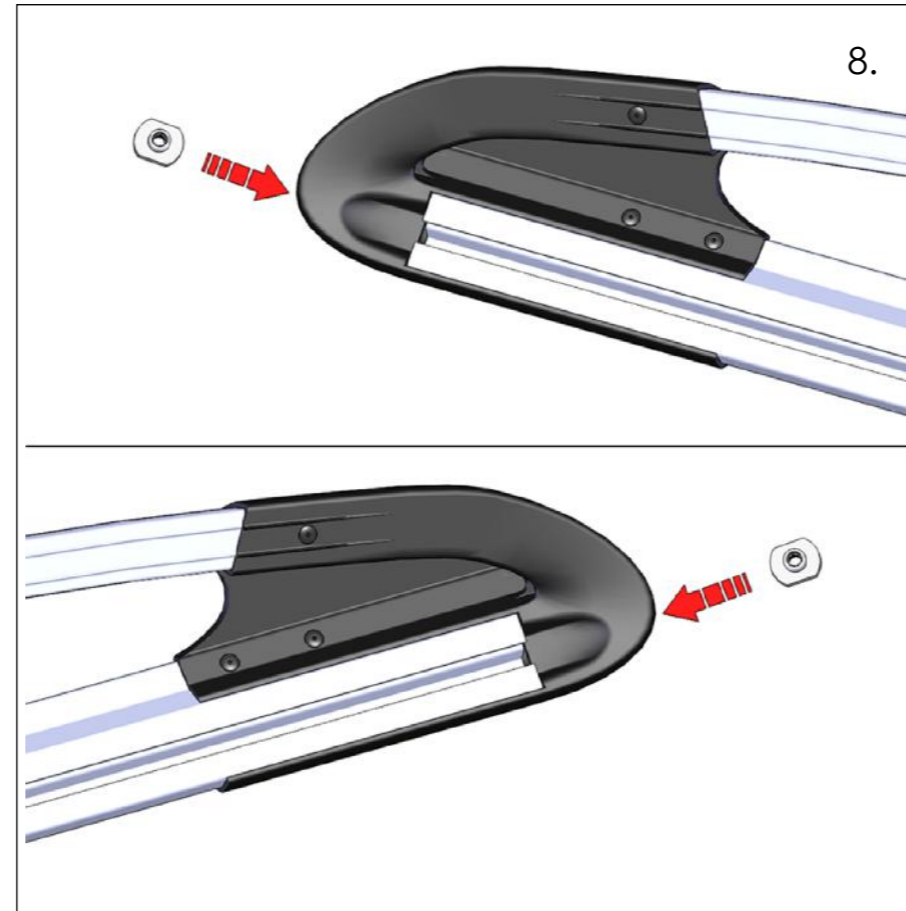
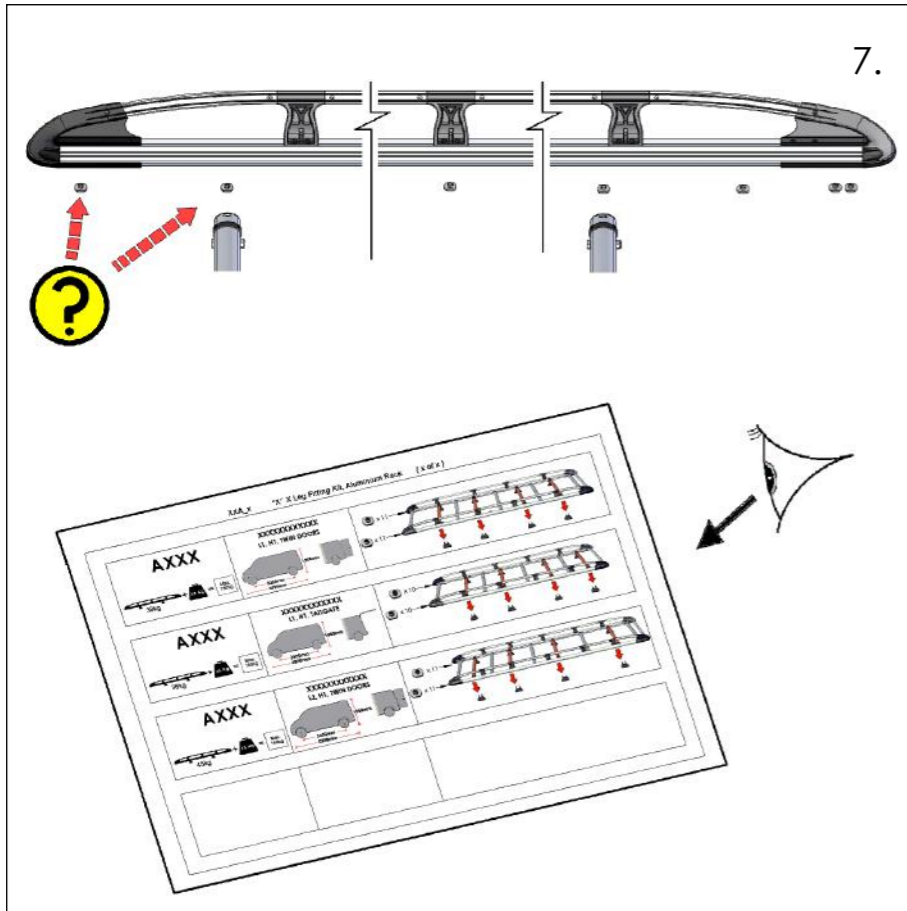
FT01 x 1

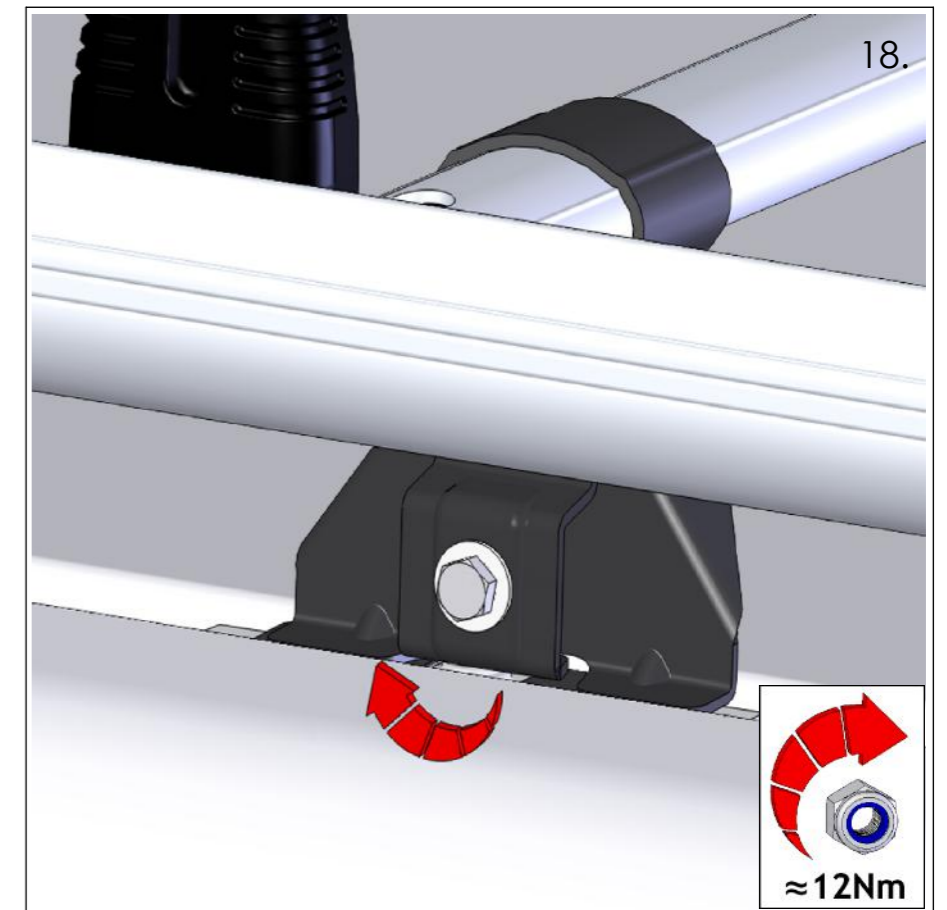
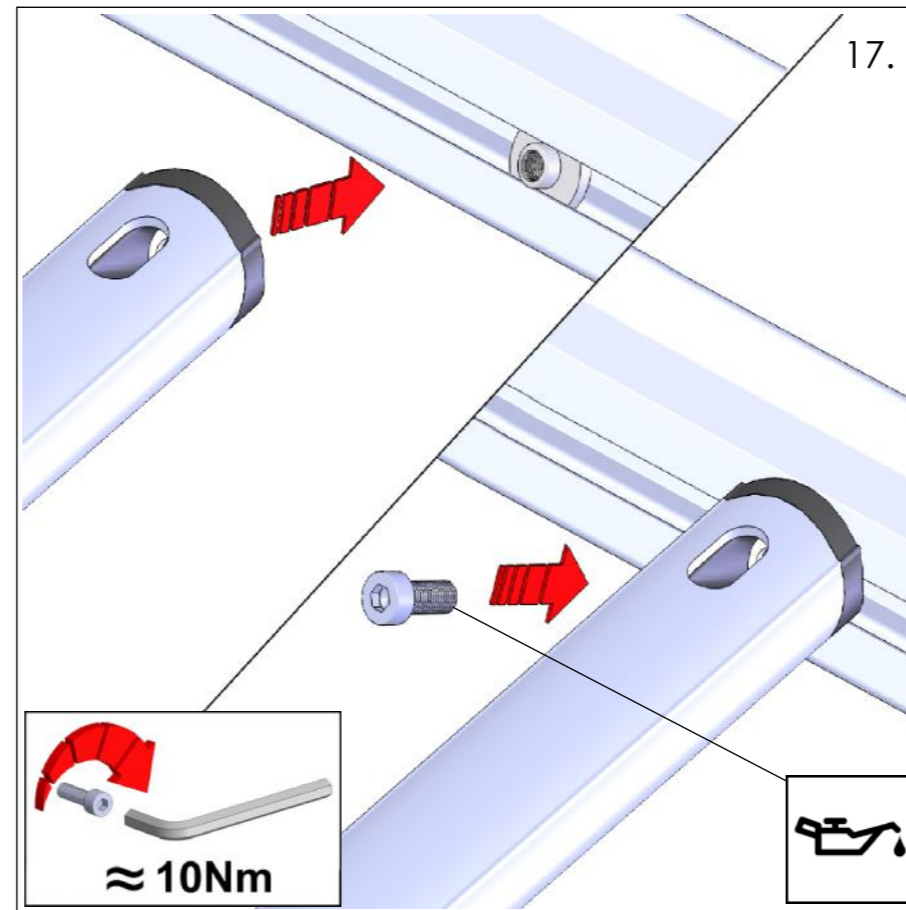
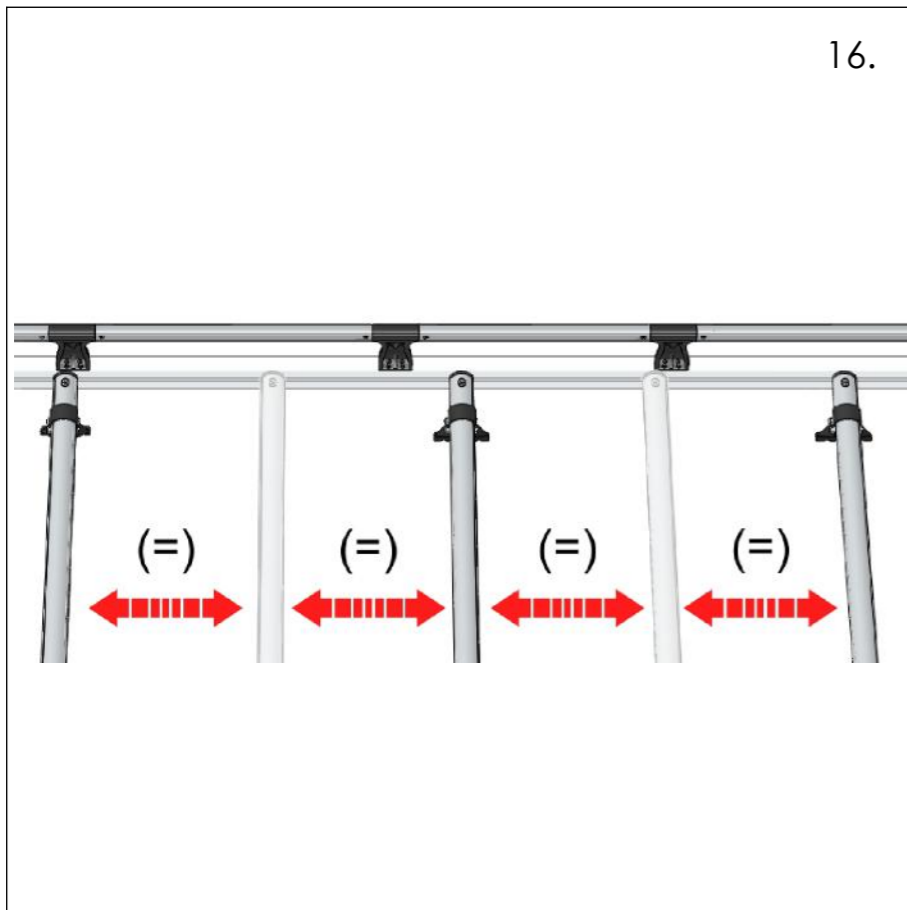
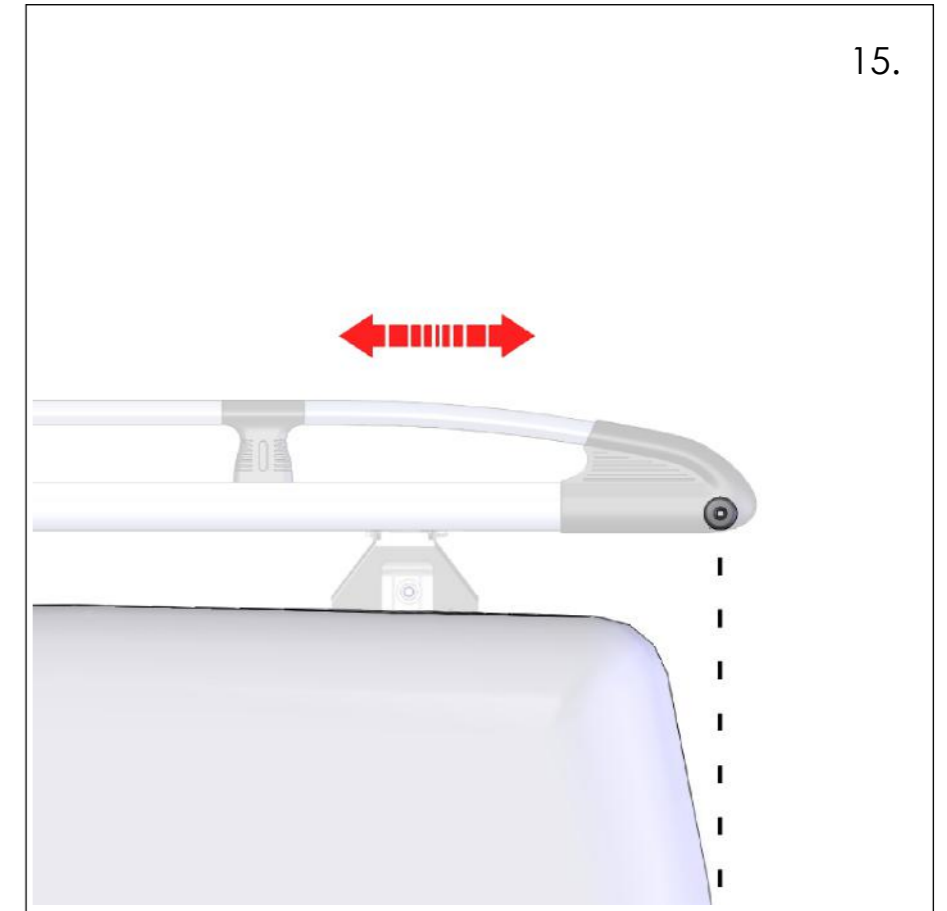
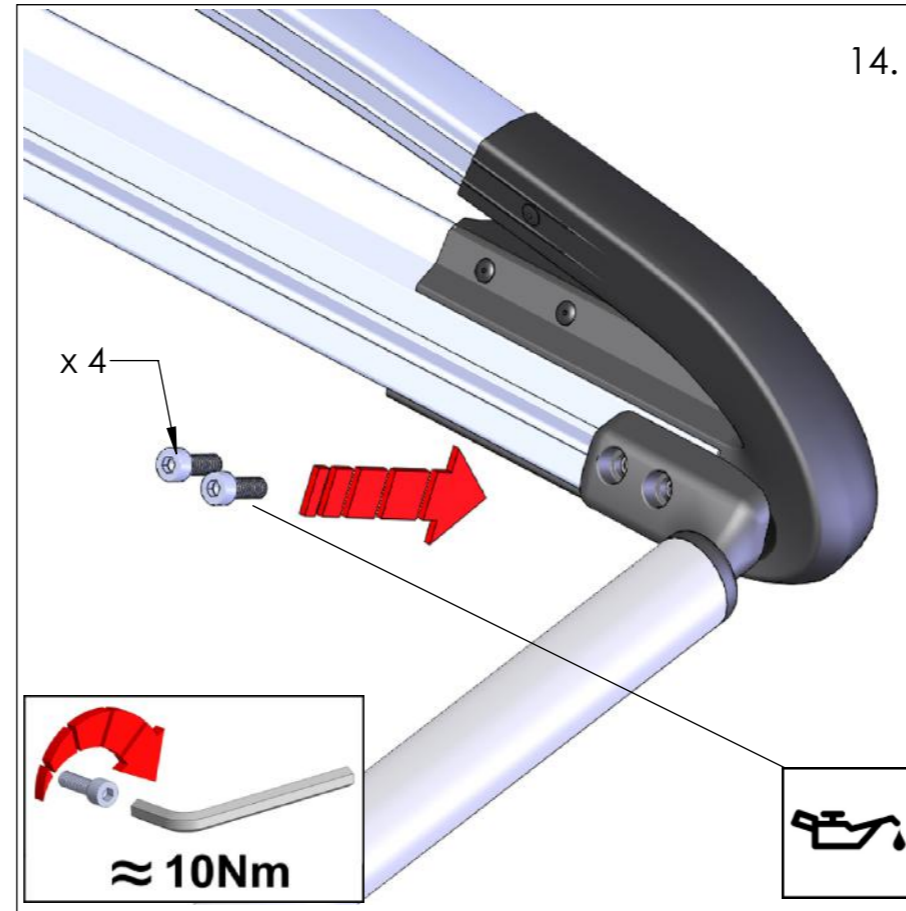
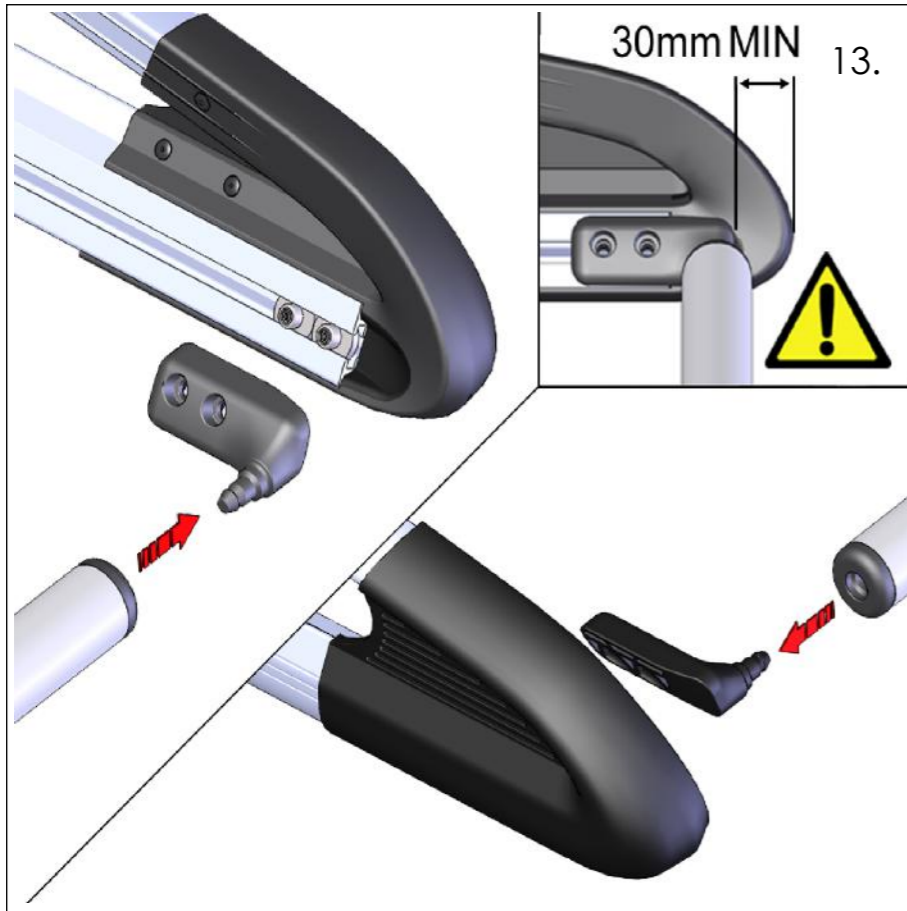


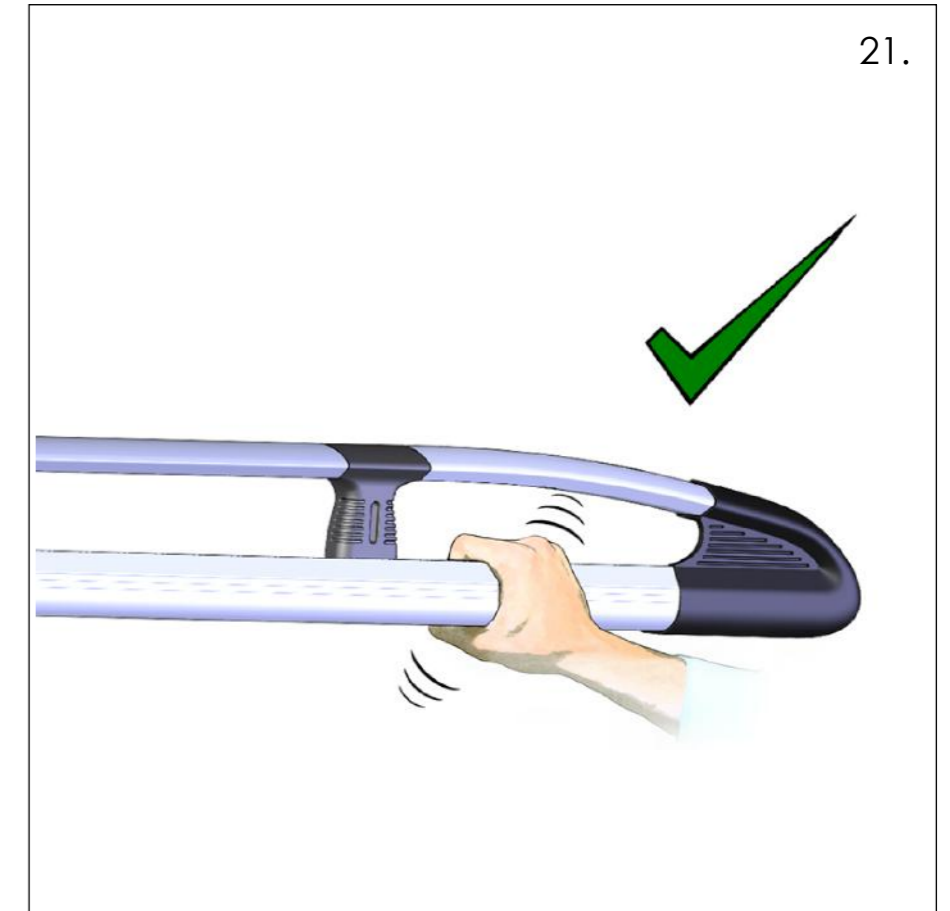
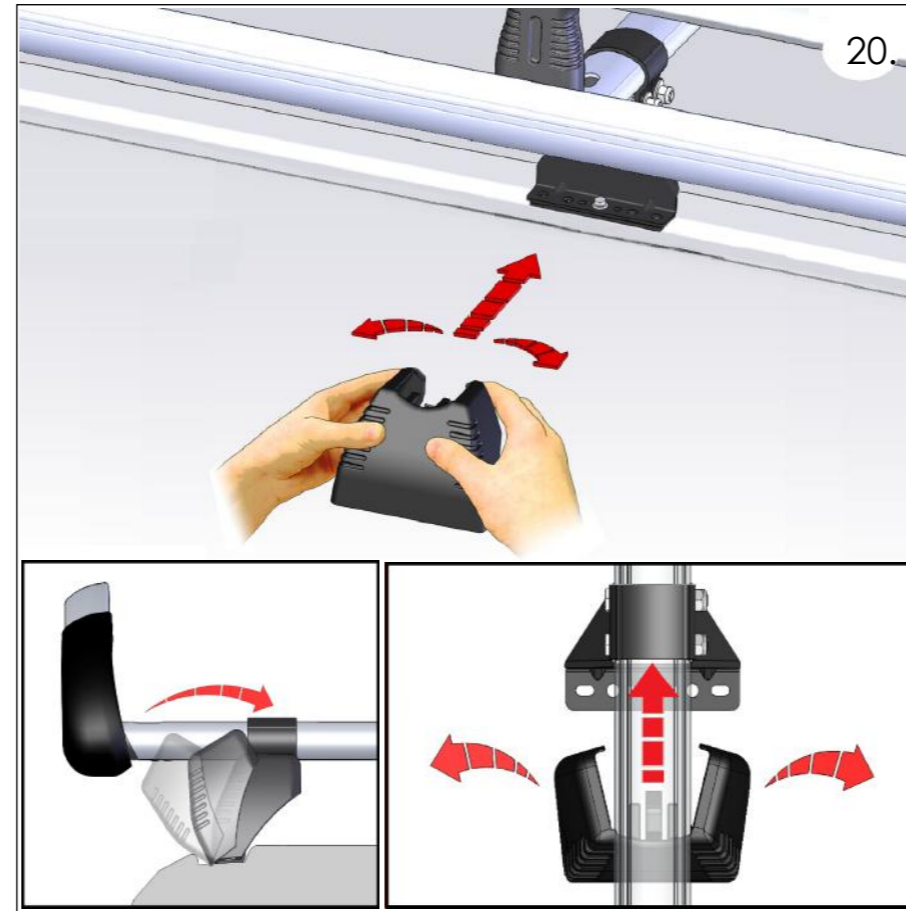
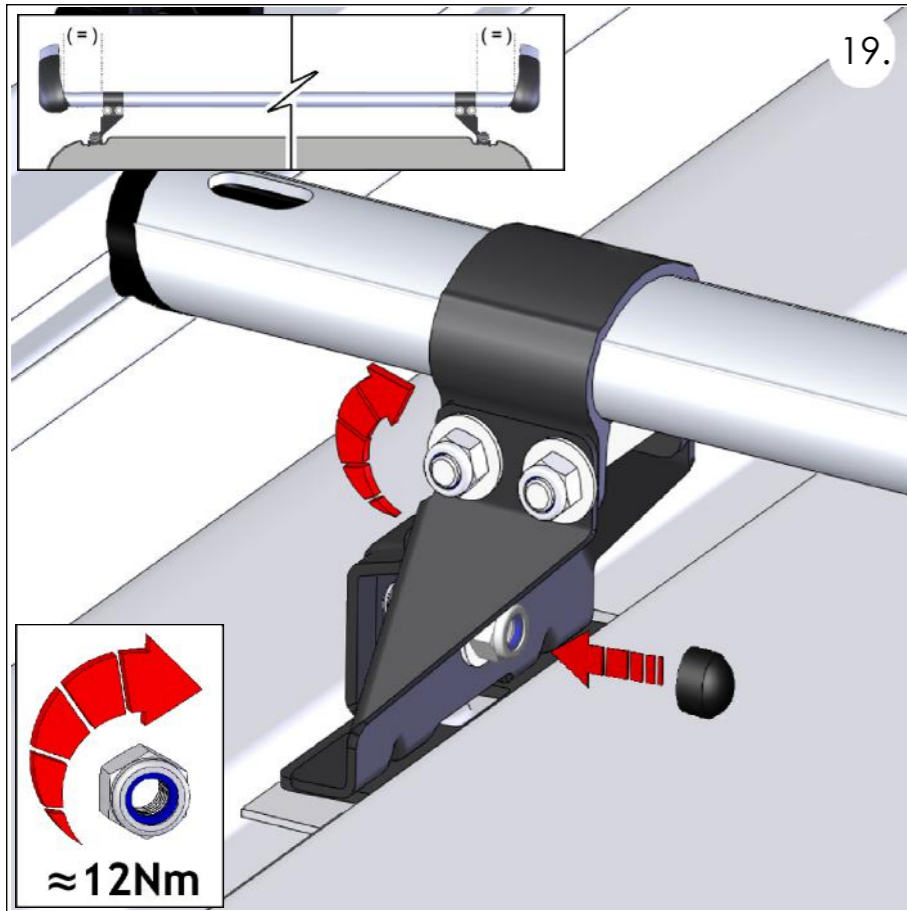
13mm x 2

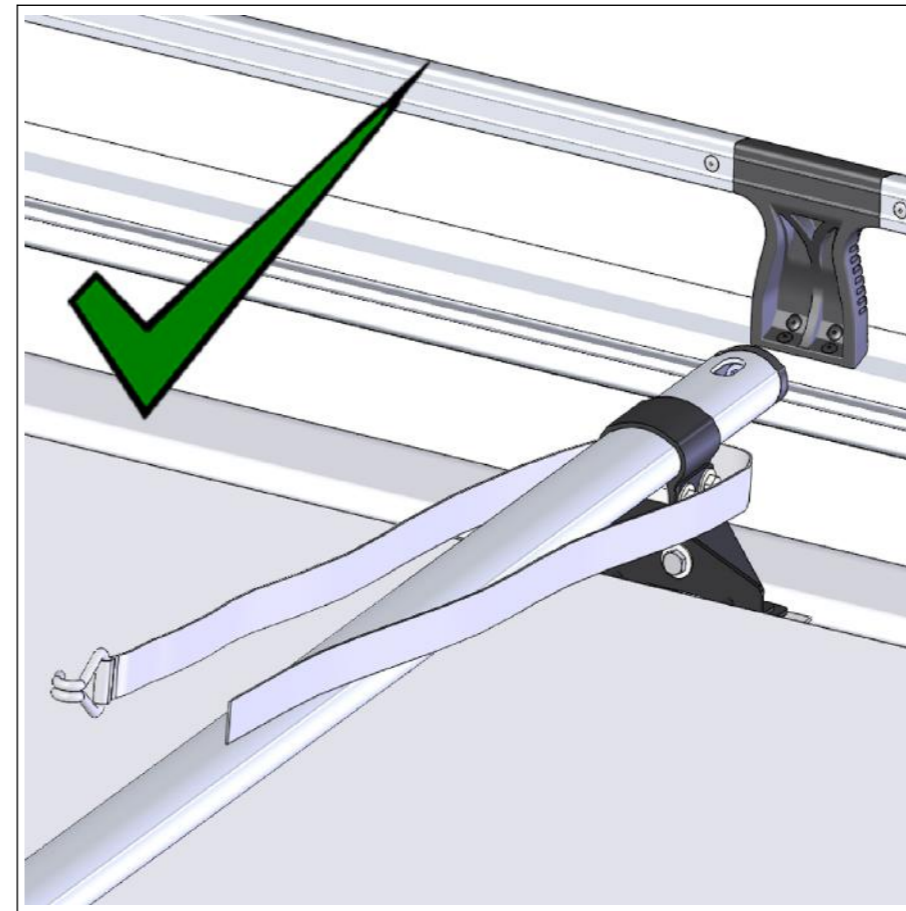
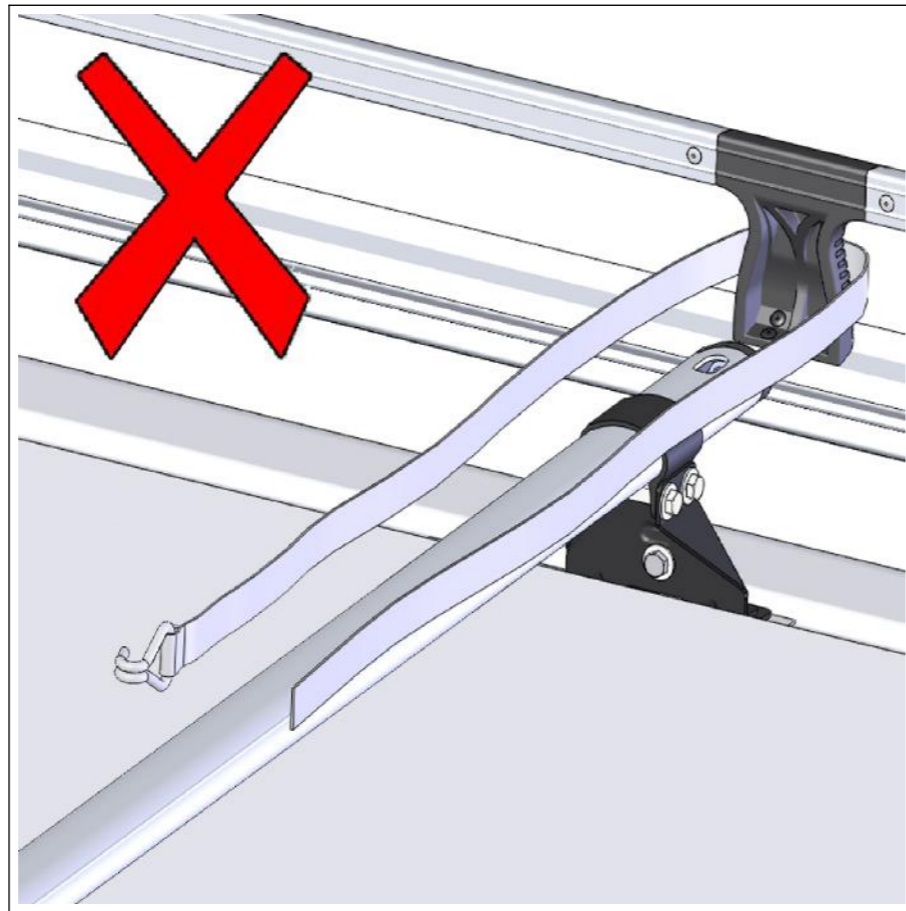
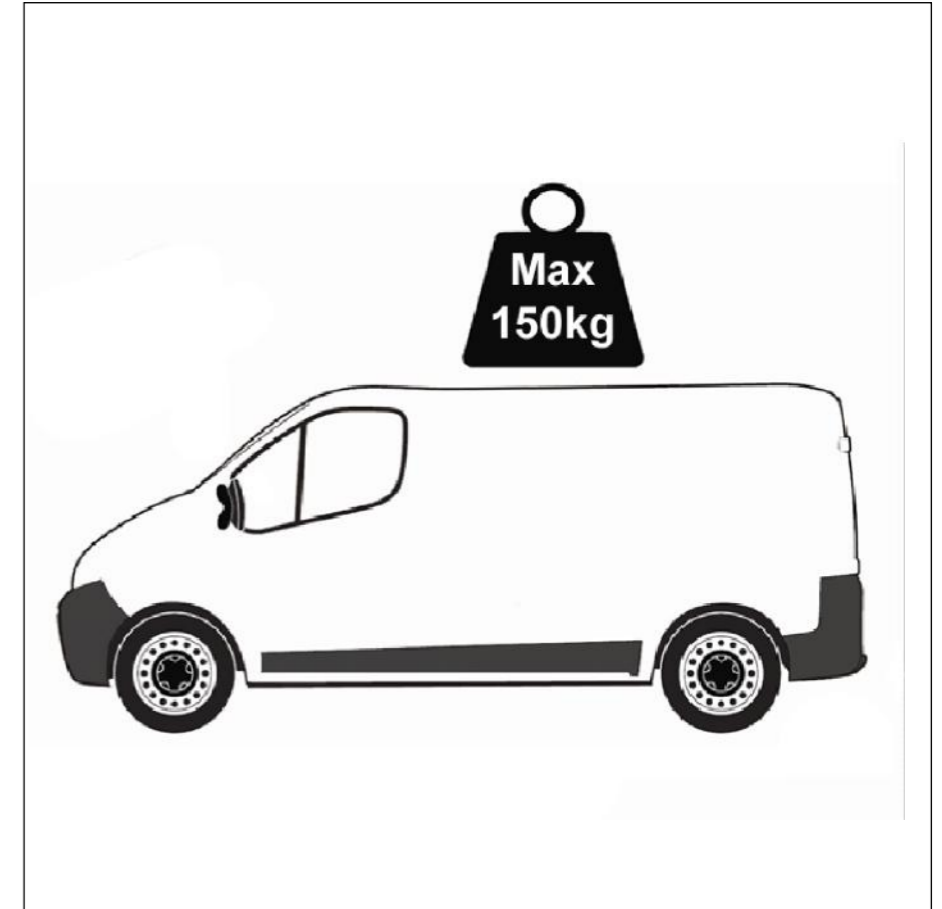
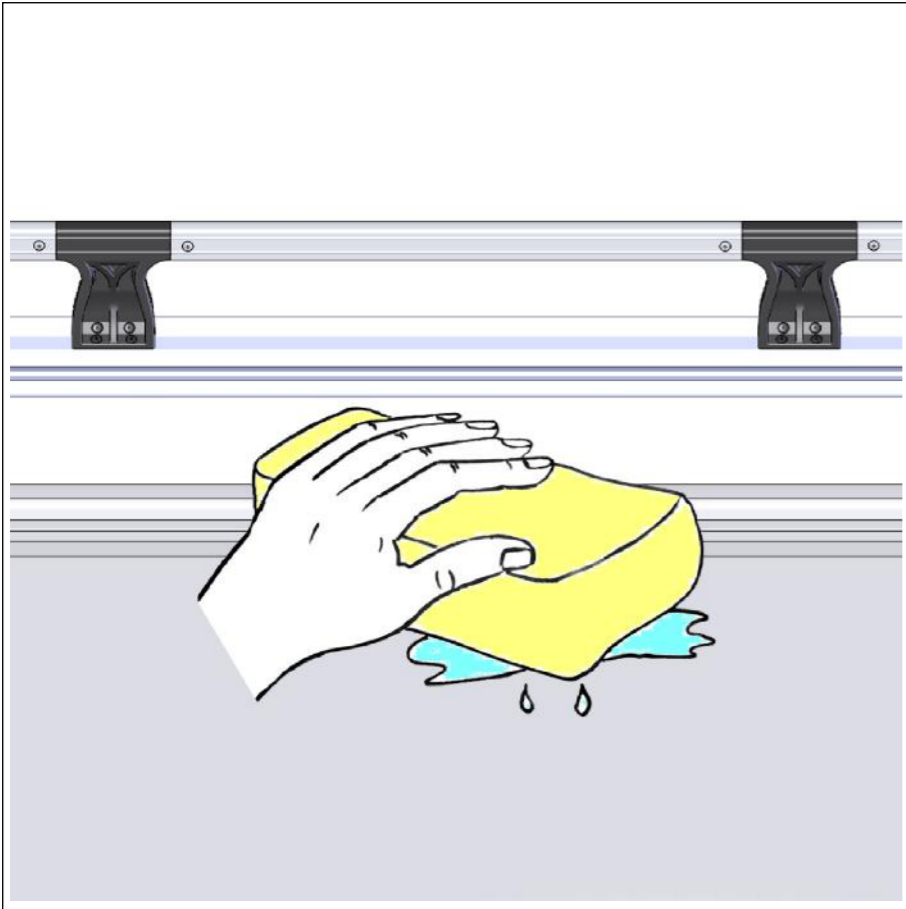





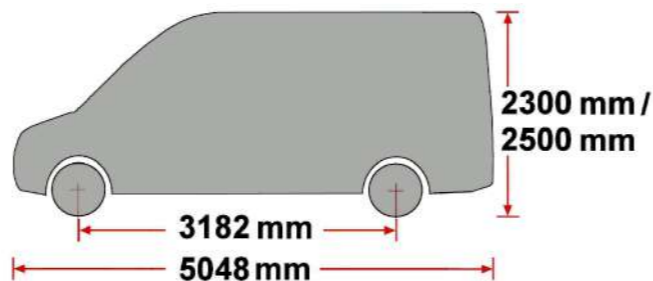
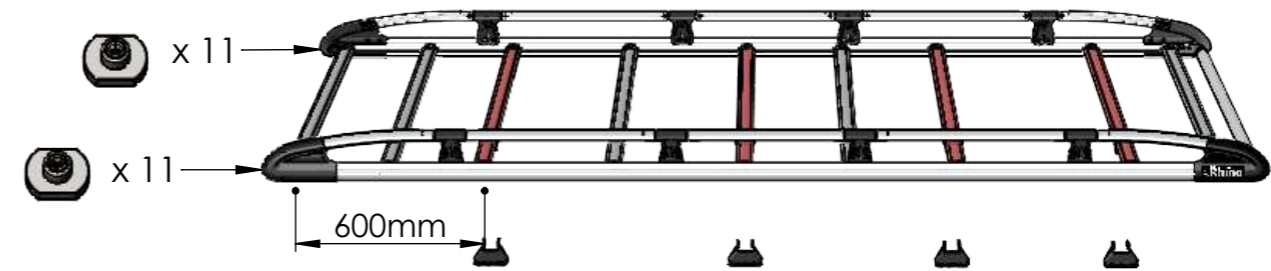



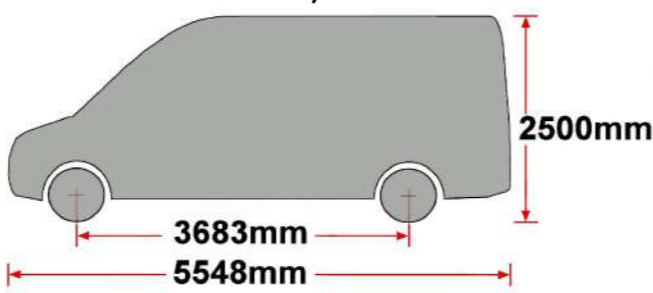
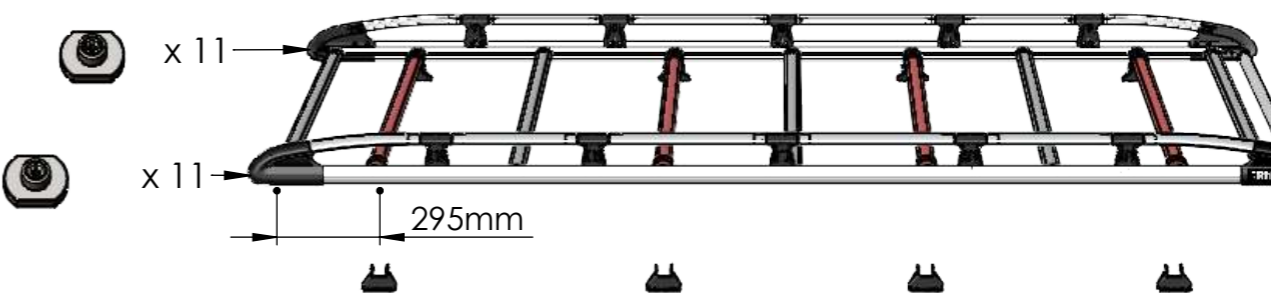






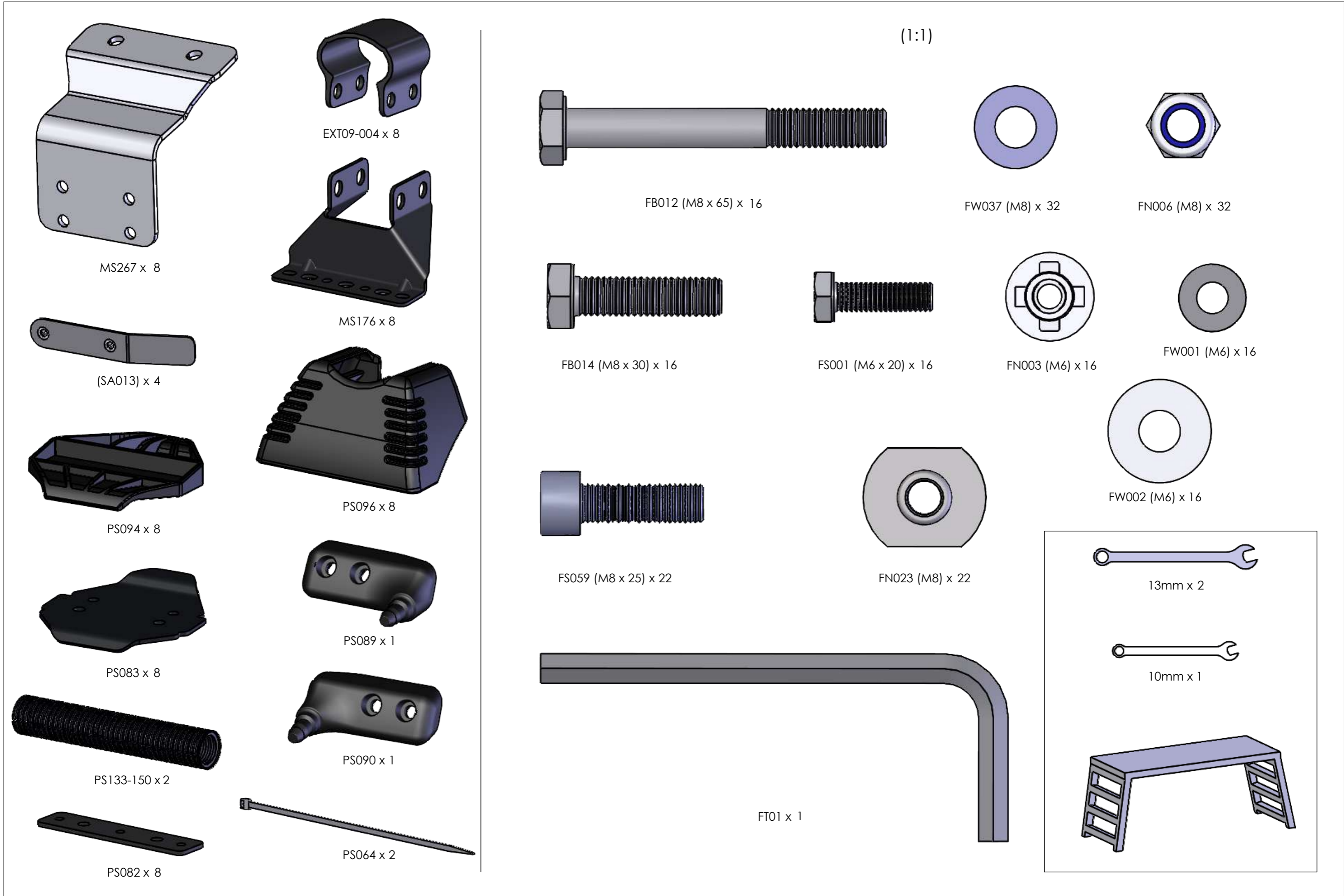
ALUMINIUM RACK - TYPE DESIGNATION FORM I

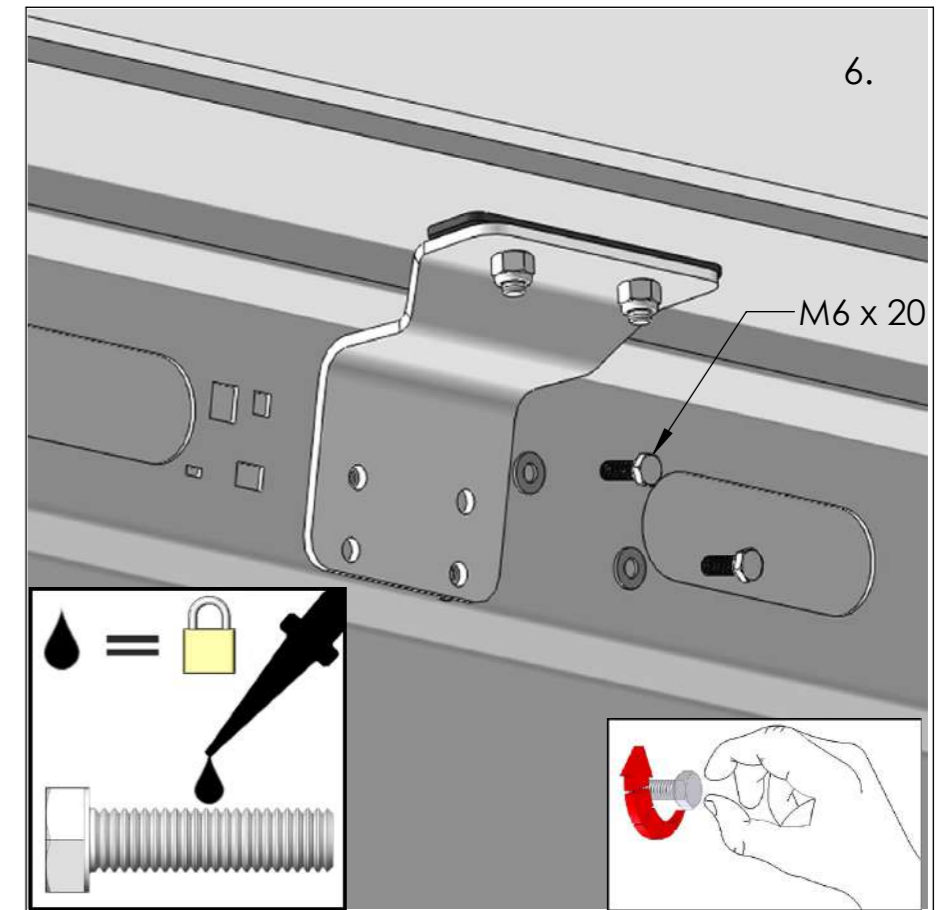
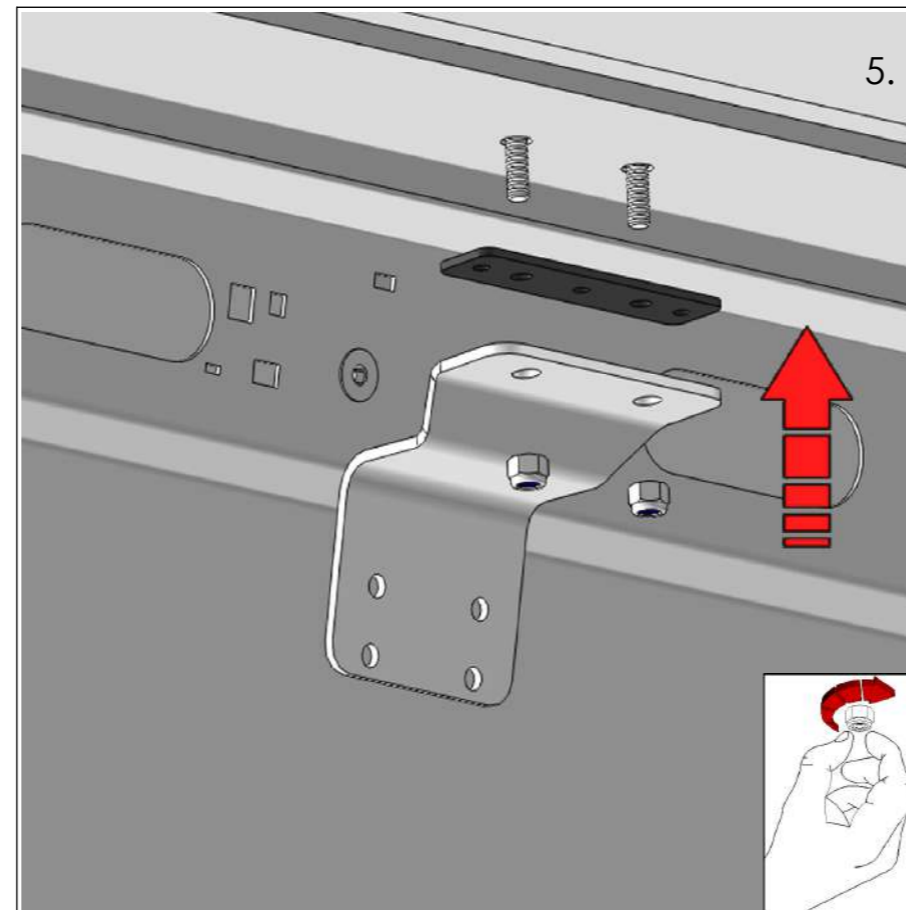
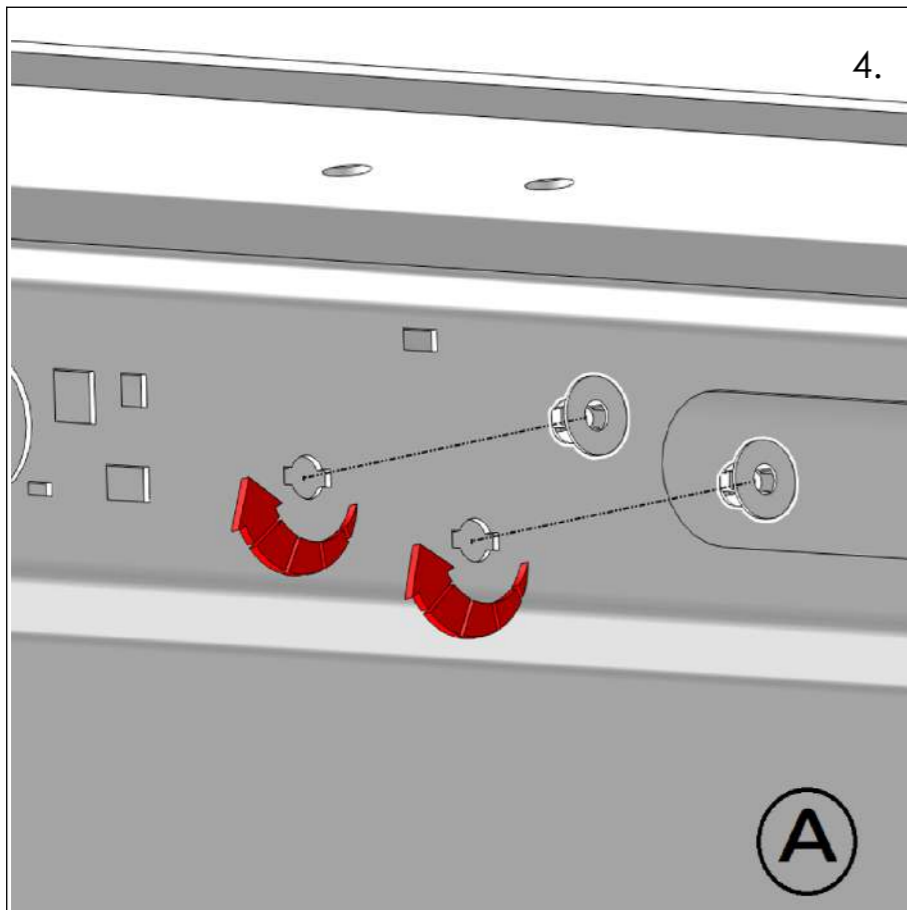
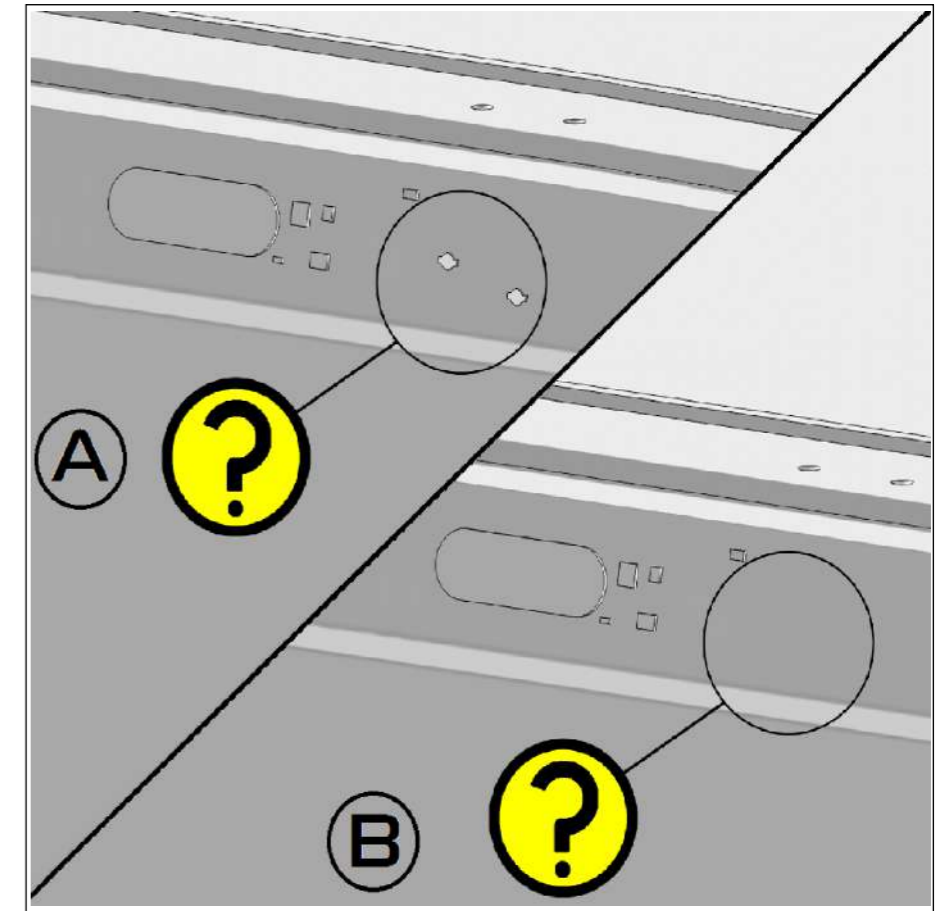
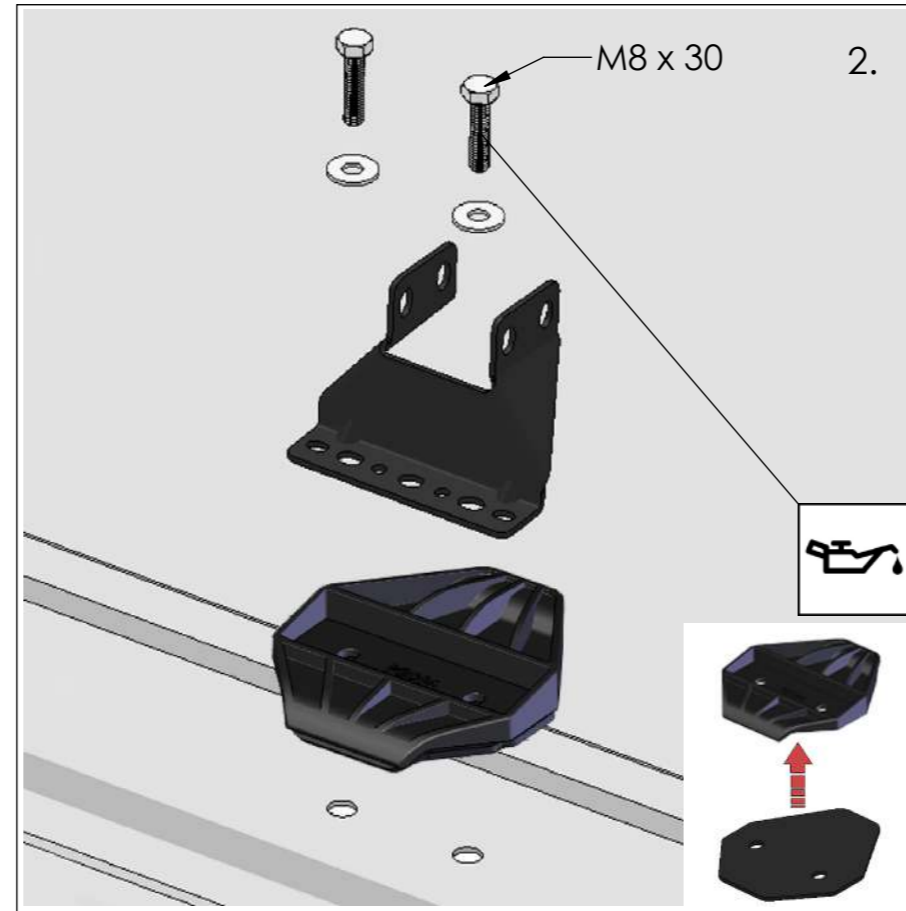
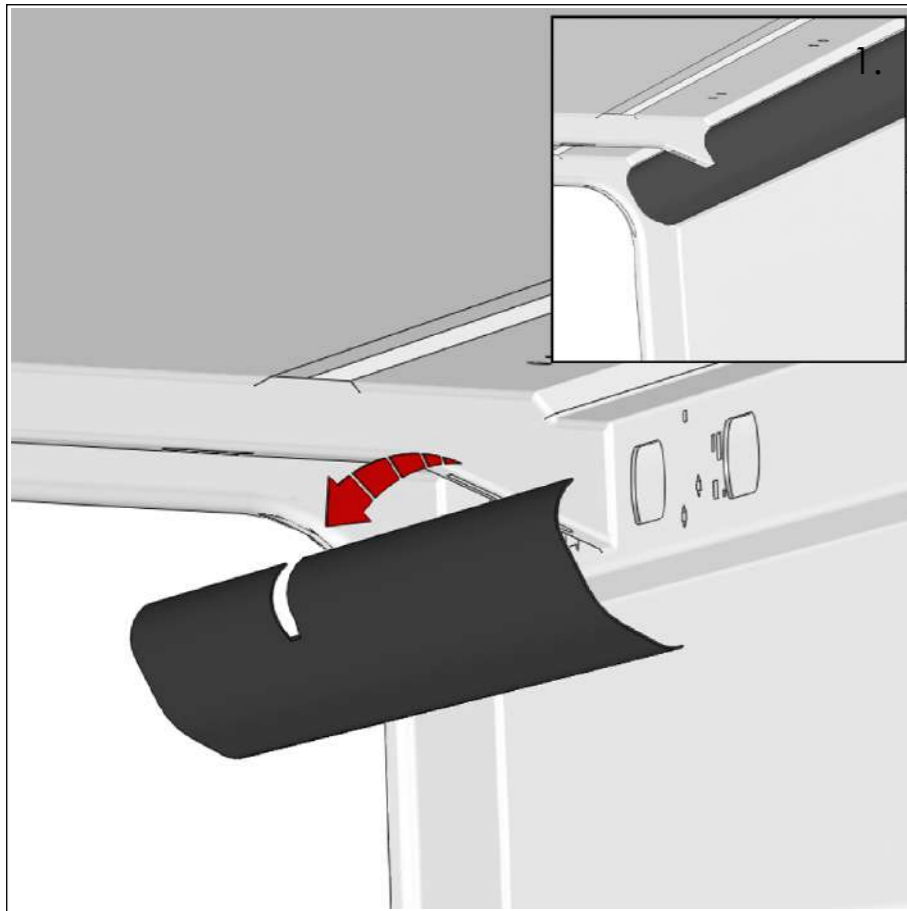
<h1>AH604</h1>  <p>40kg + xx kg = Max. 150kg</p>	<p>MASTER/MOVANO/NV400 2010-L1, H2</p>  <p>2300 mm / 2500 mm 3182 mm 5048 mm</p>	 <p>x 11 x 11 600mm</p>
---	---	--

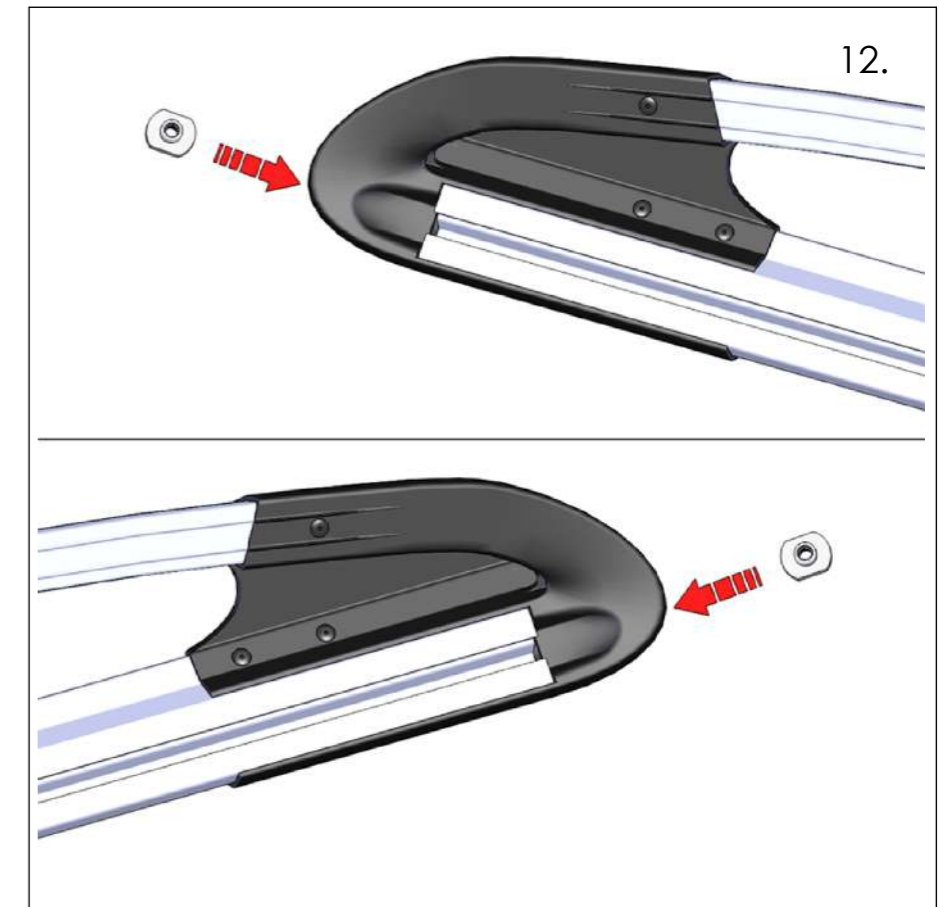
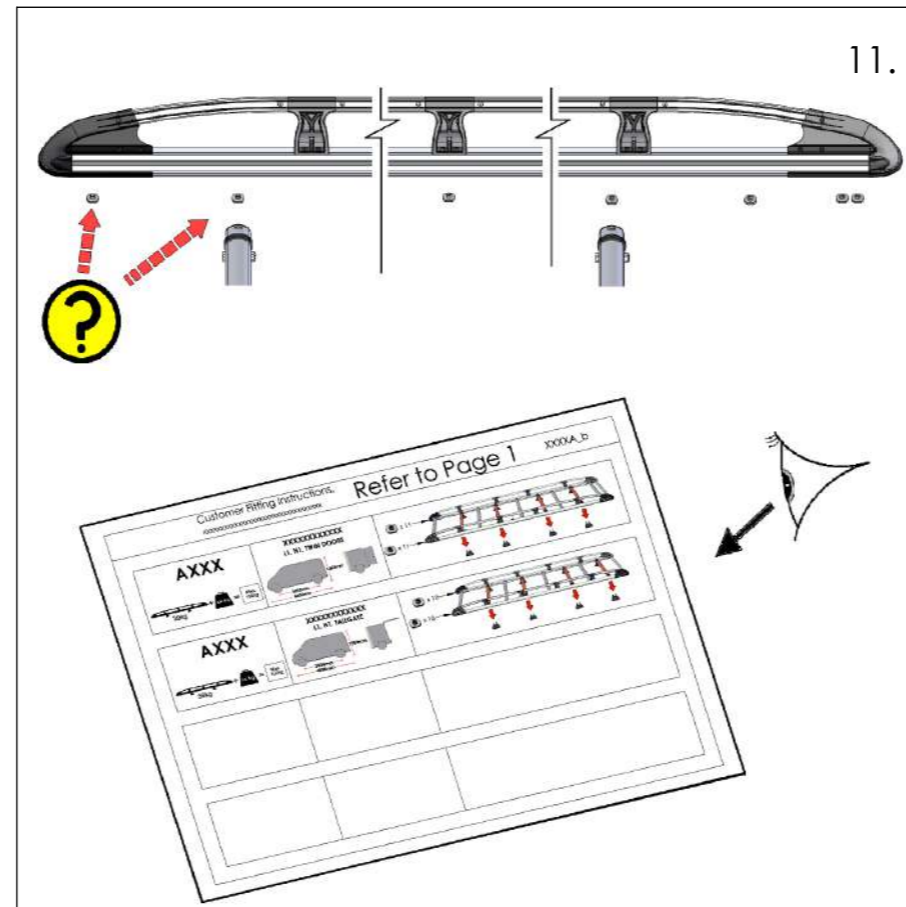
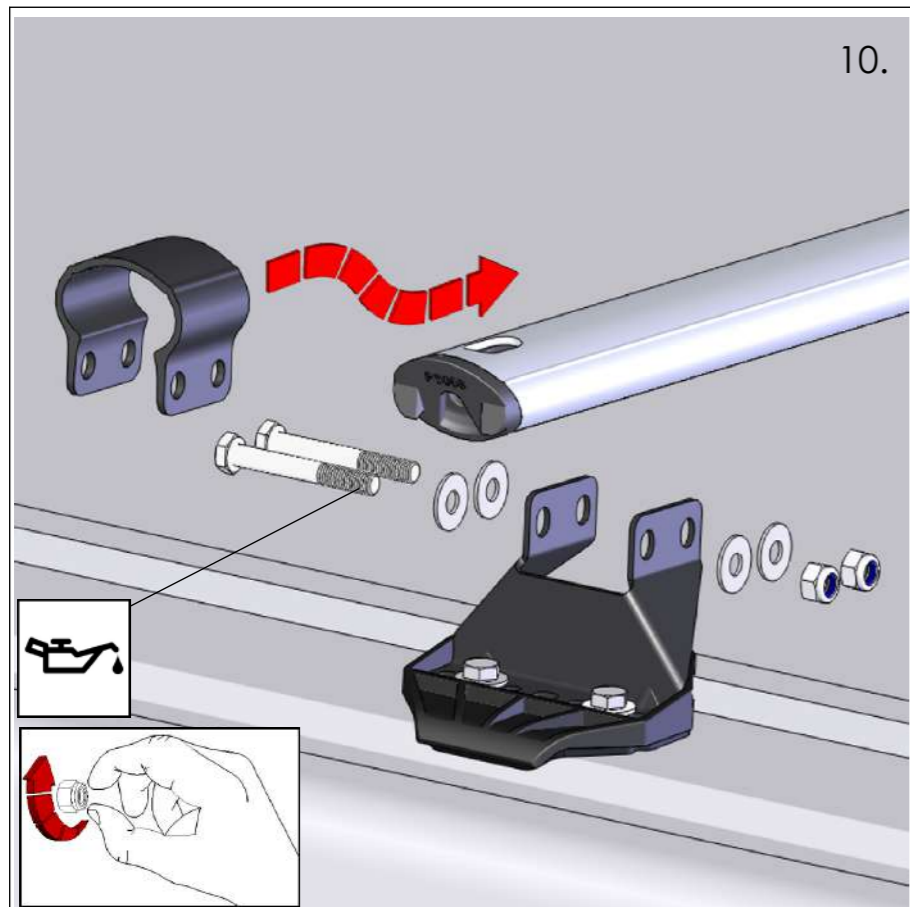
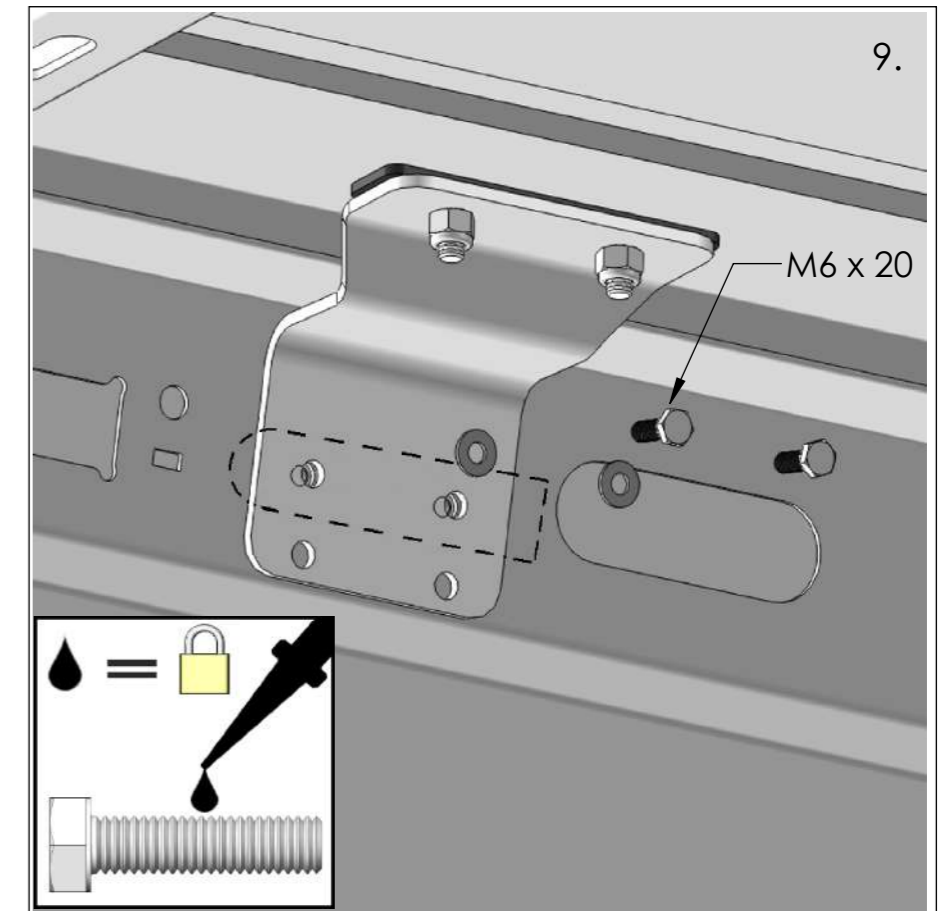
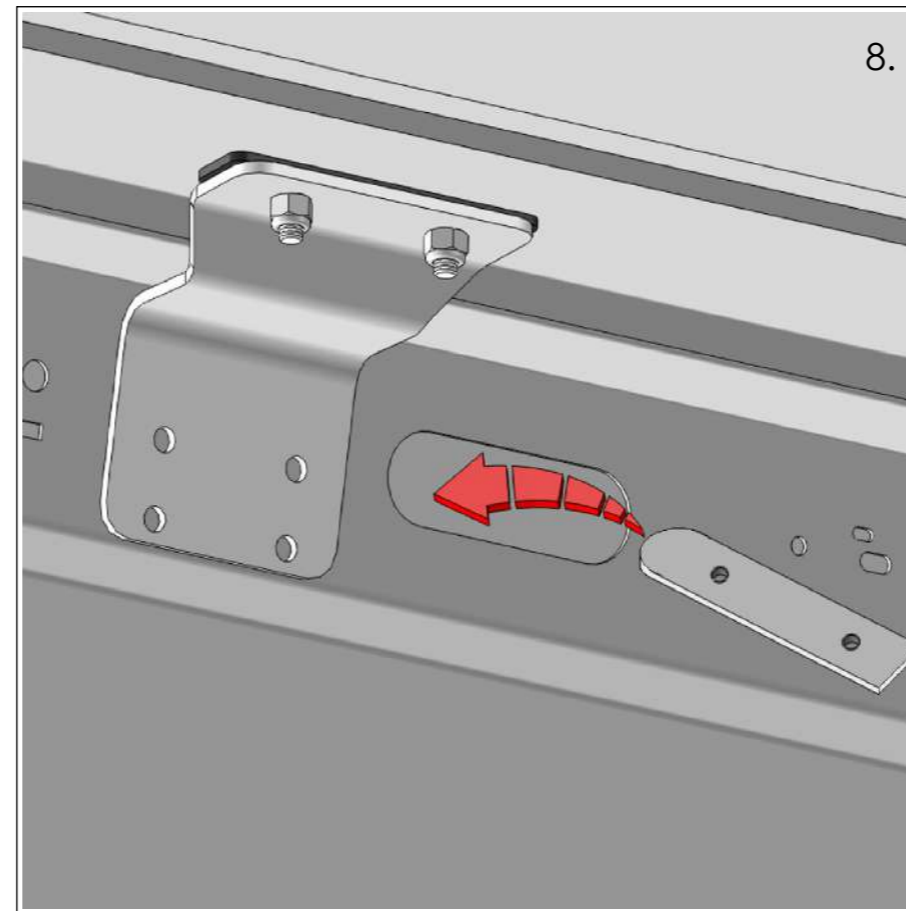
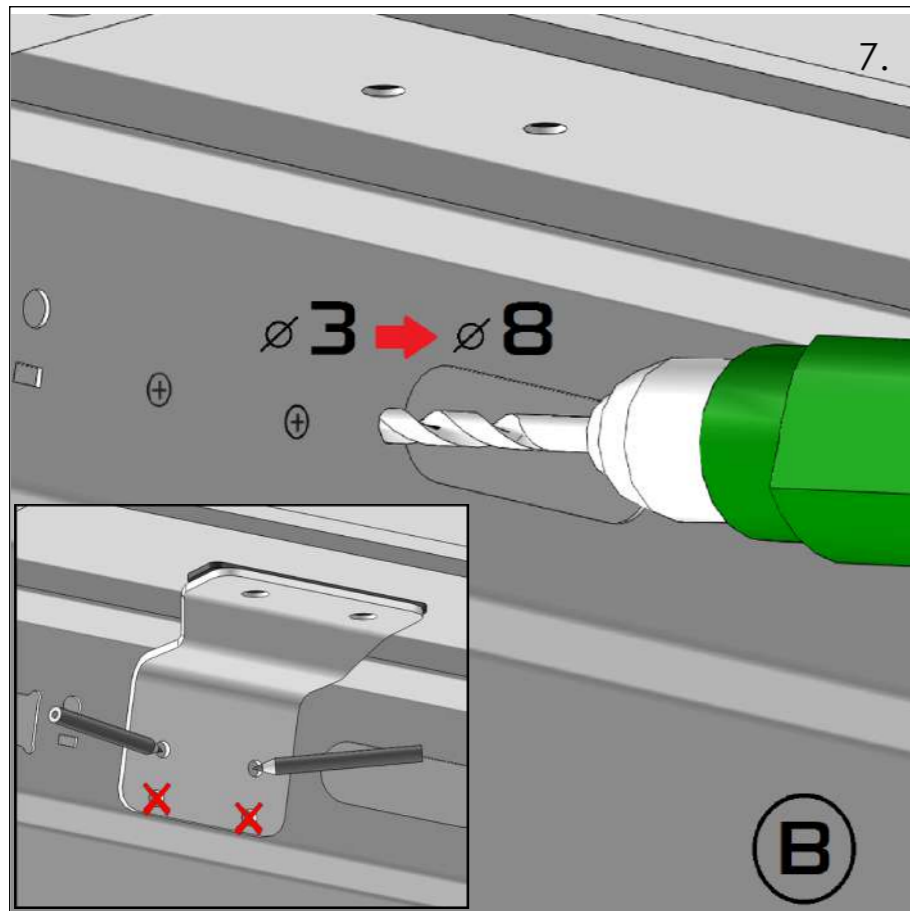
<h1>AH605</h1>  <p>42kg + xx kg = Max. 150kg</p>	<p>MASTER/MOVANO/NV400 2010-L2, H2</p>  <p>2500mm 3683mm 5548mm</p>	 <p>x 11 x 11 295mm</p>
--	---	--

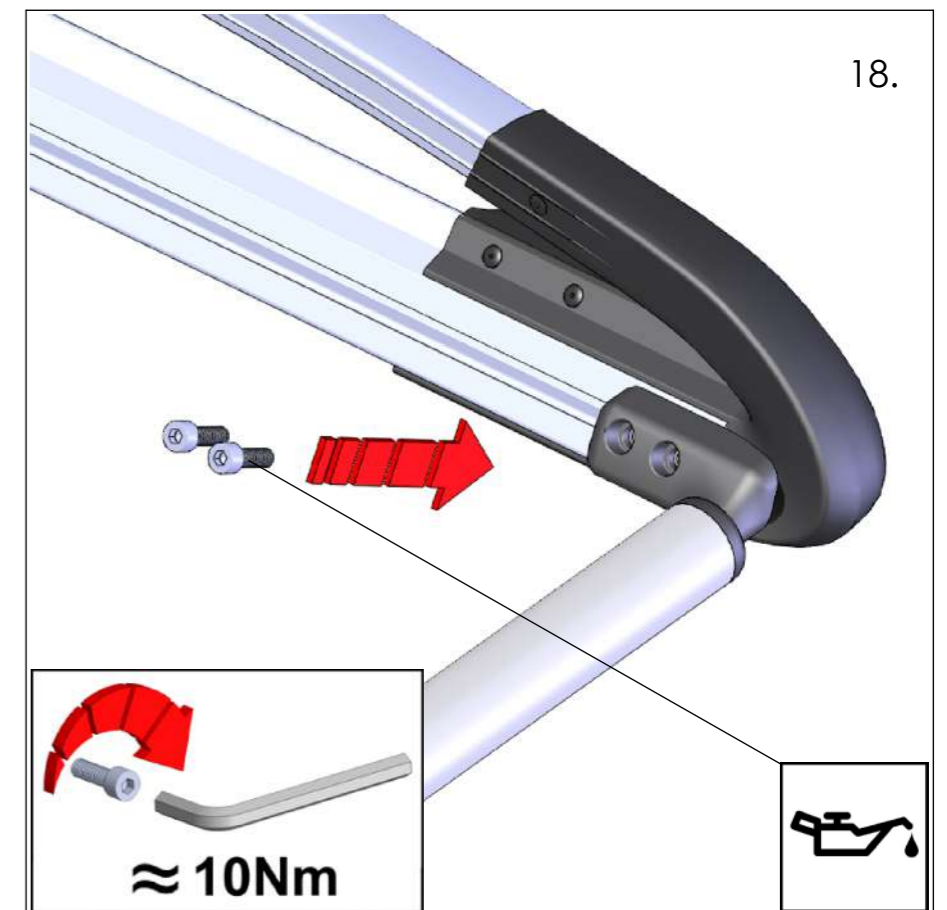
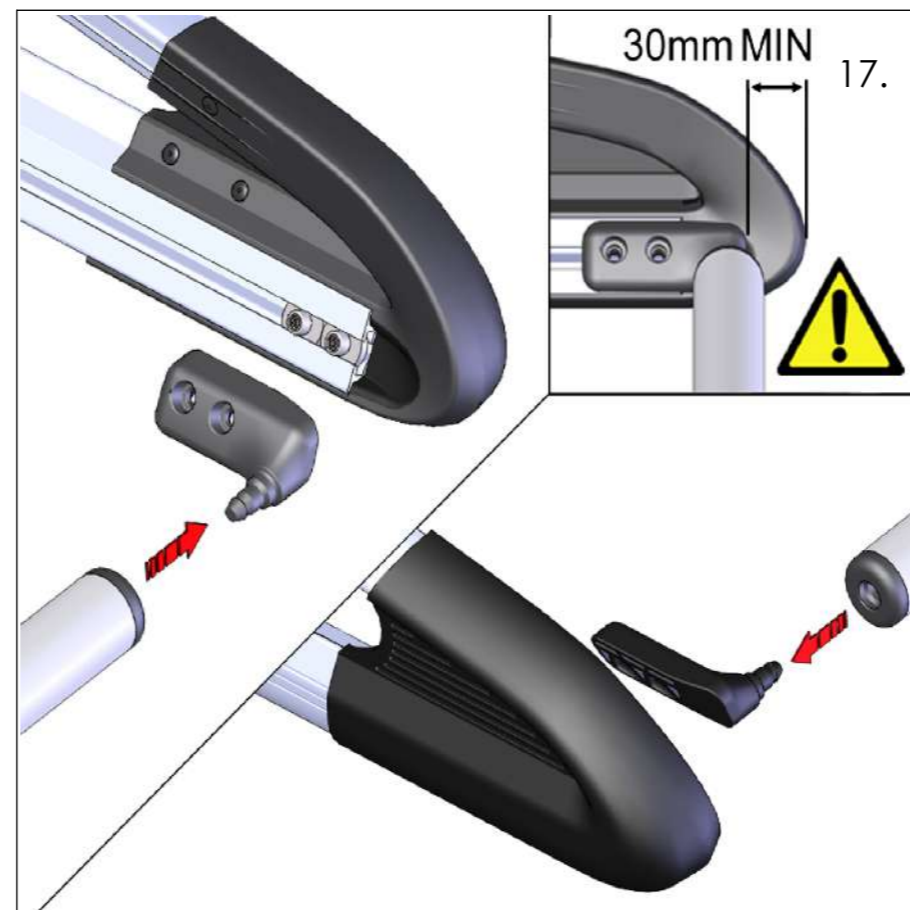
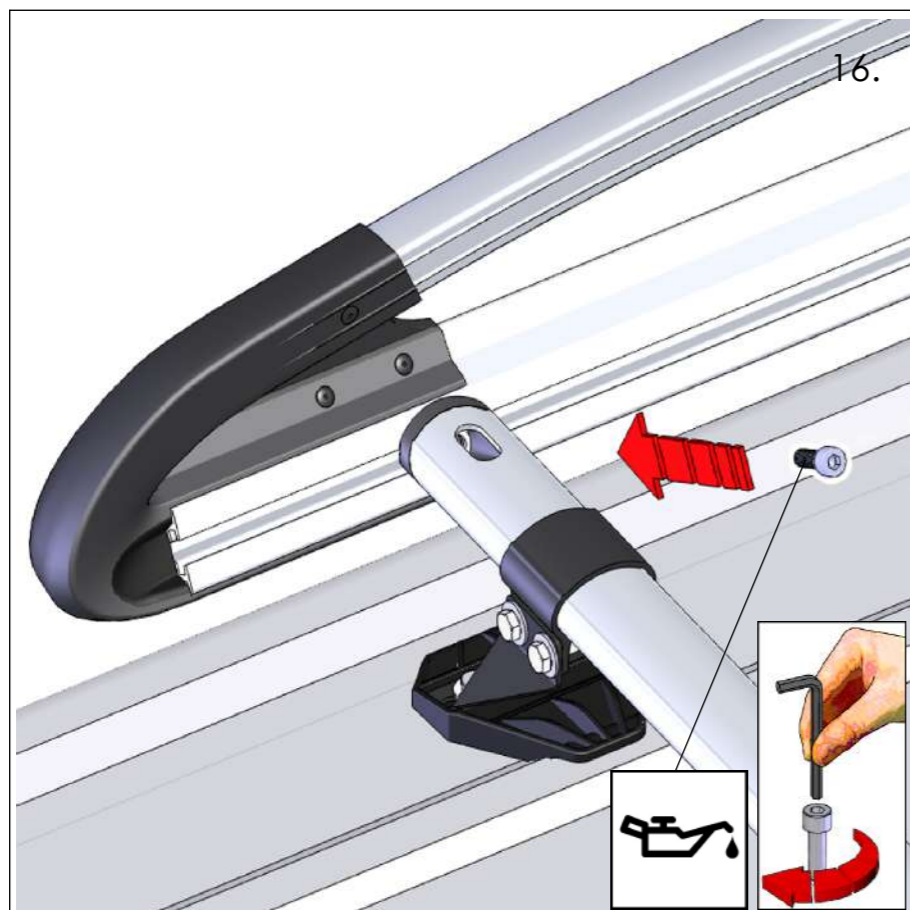
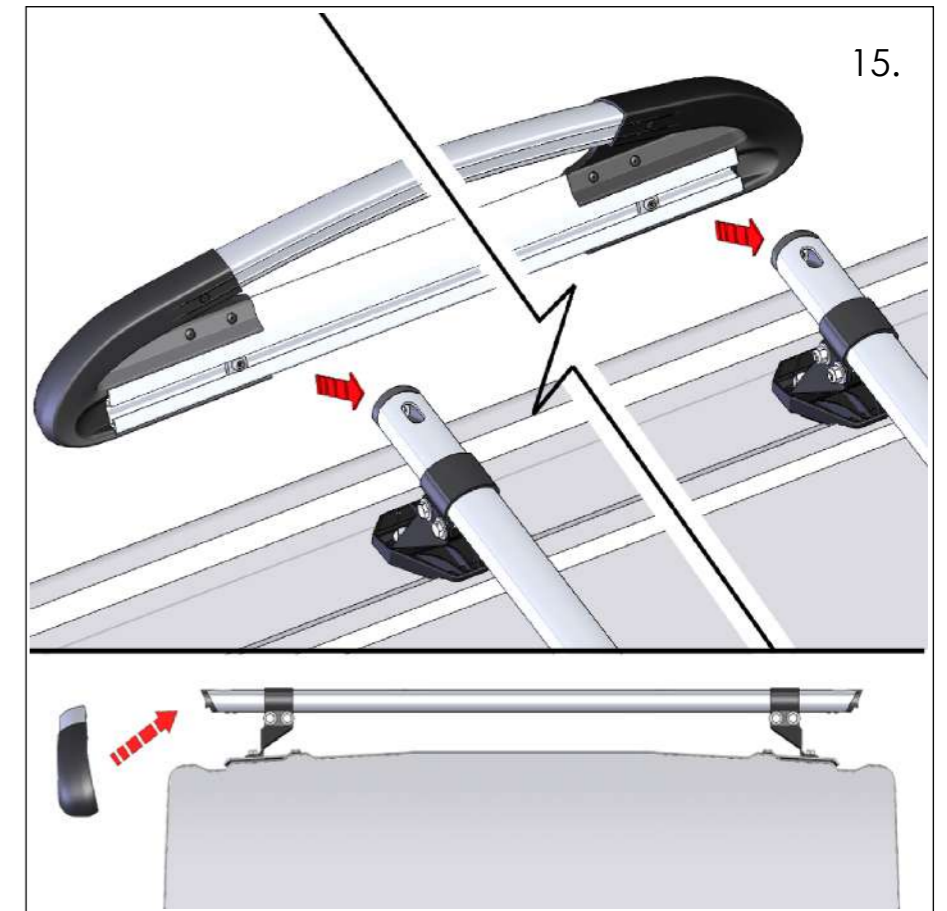
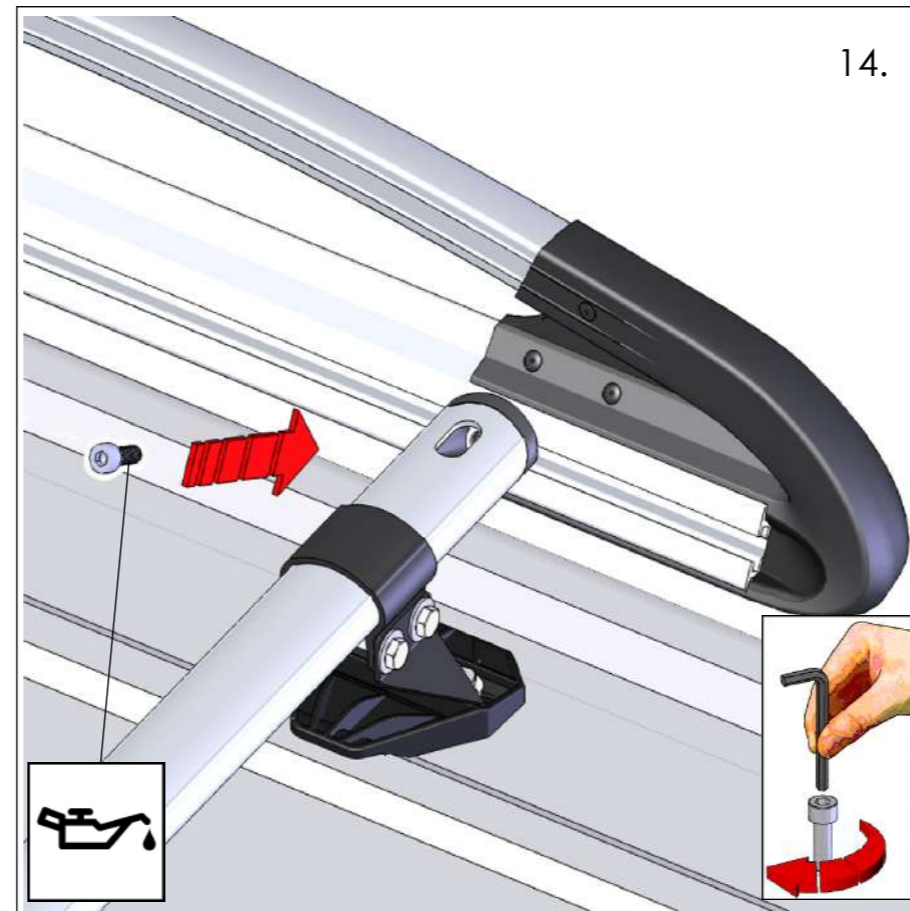
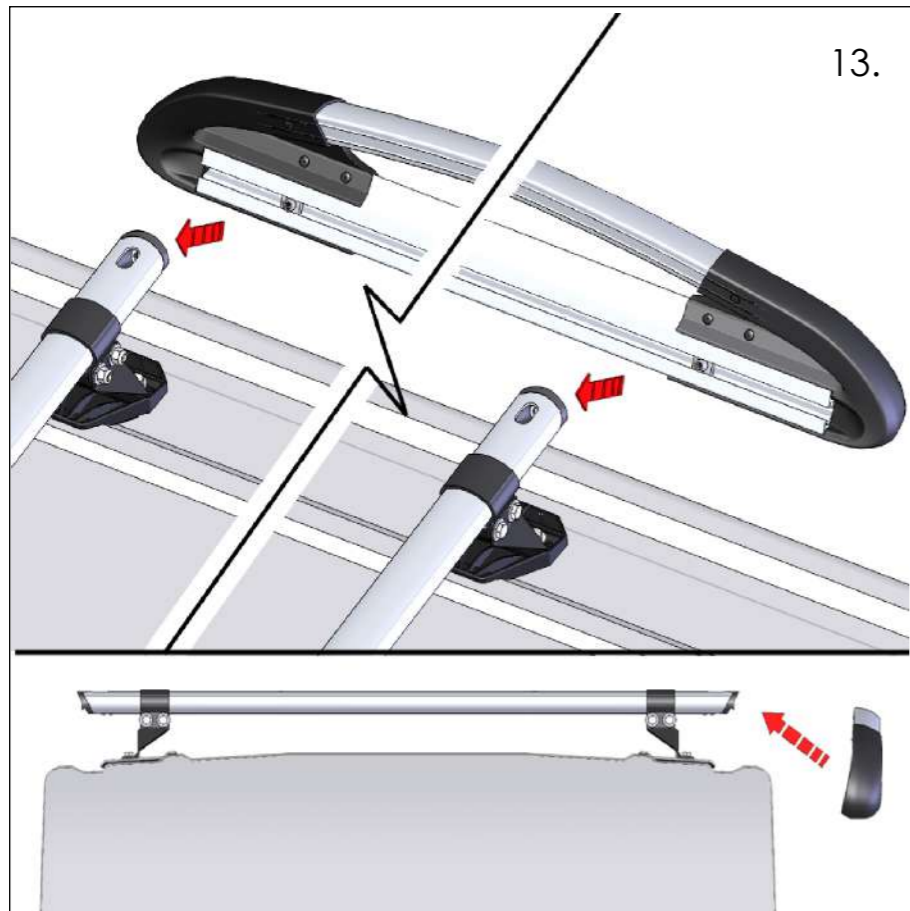
--	--	--

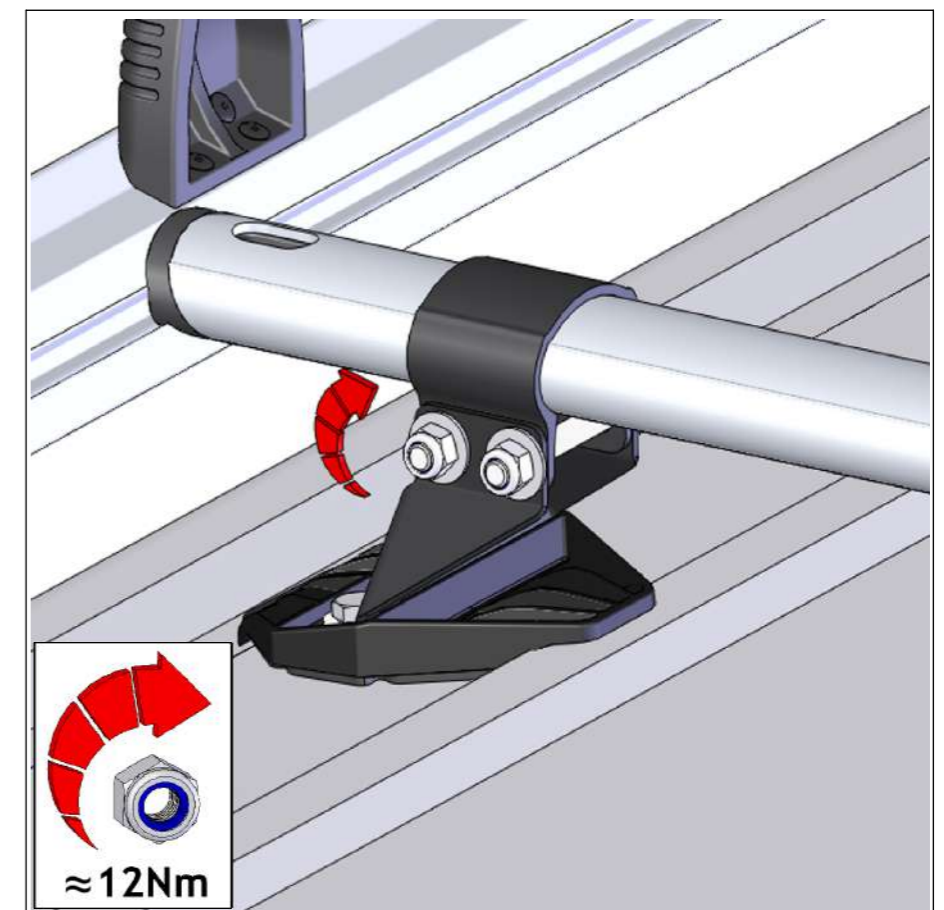
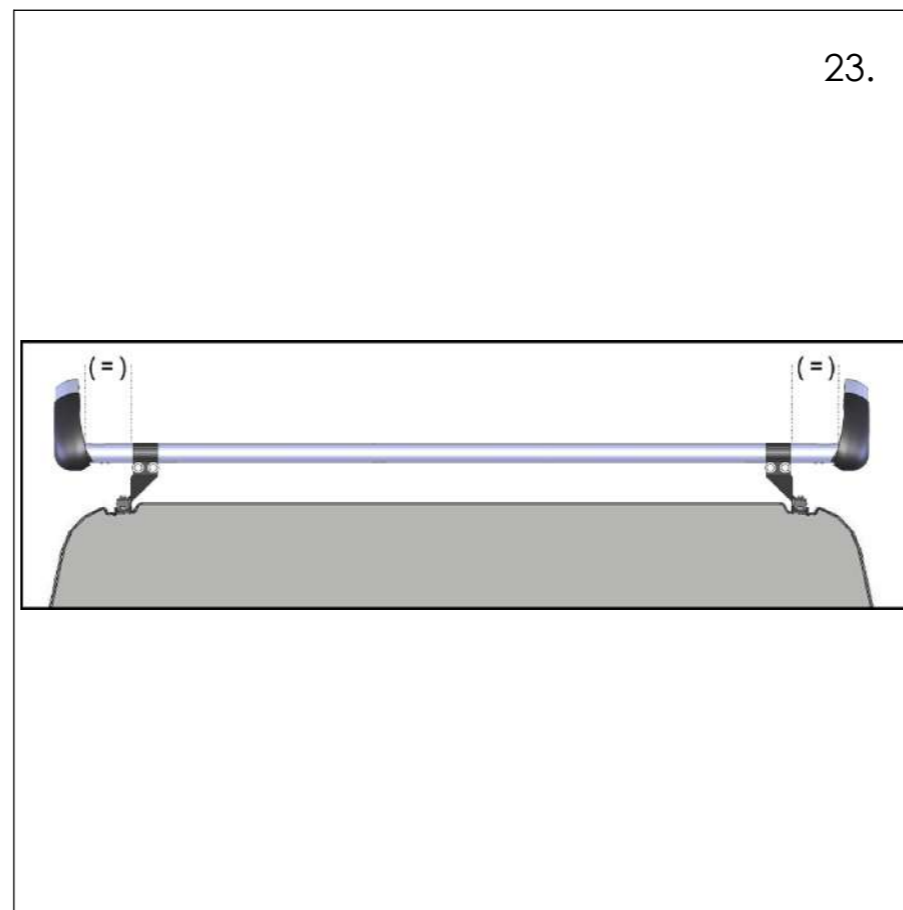
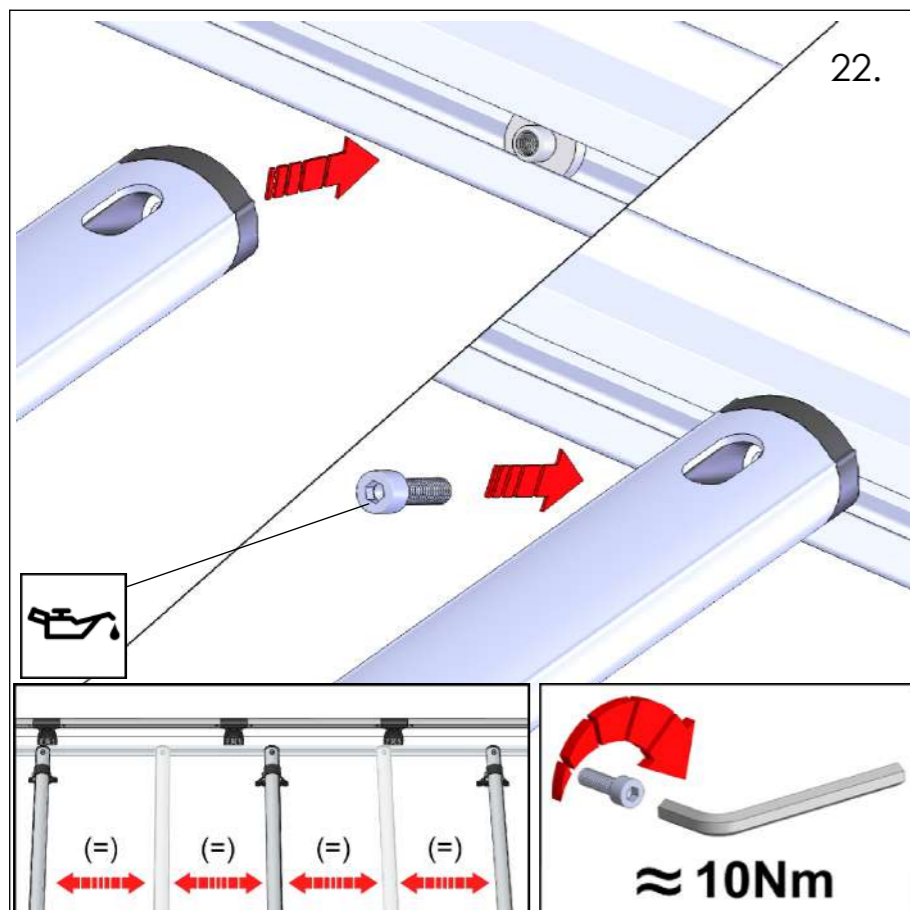
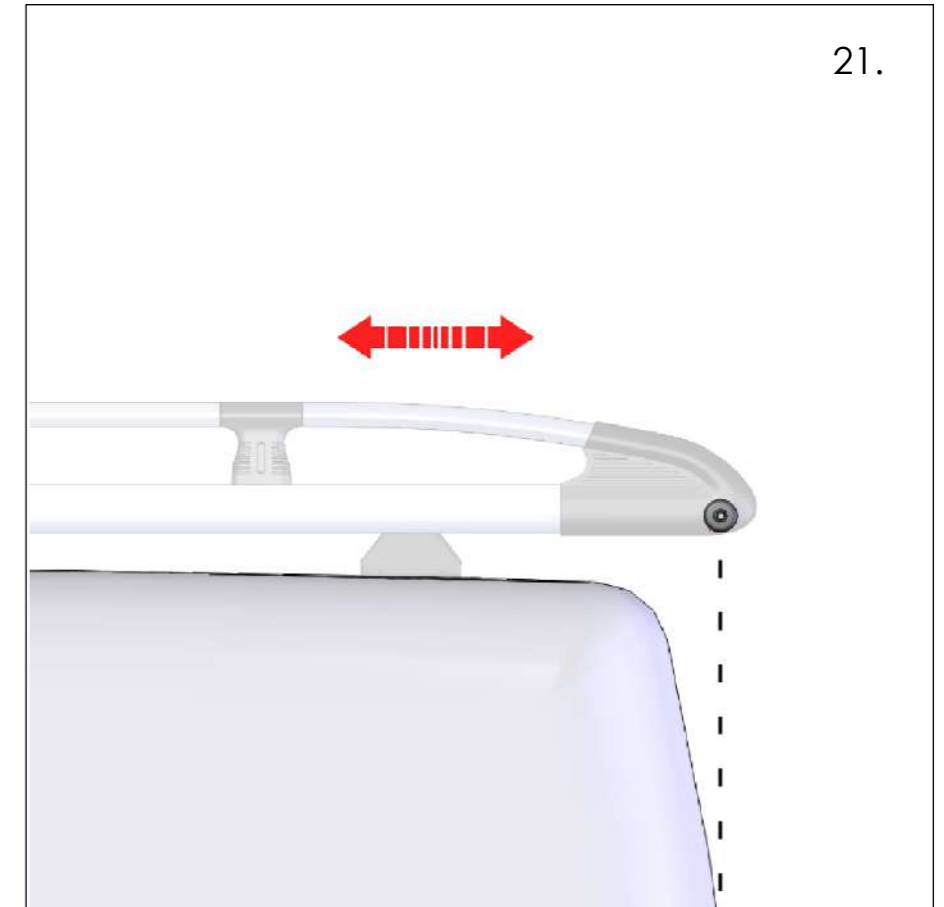
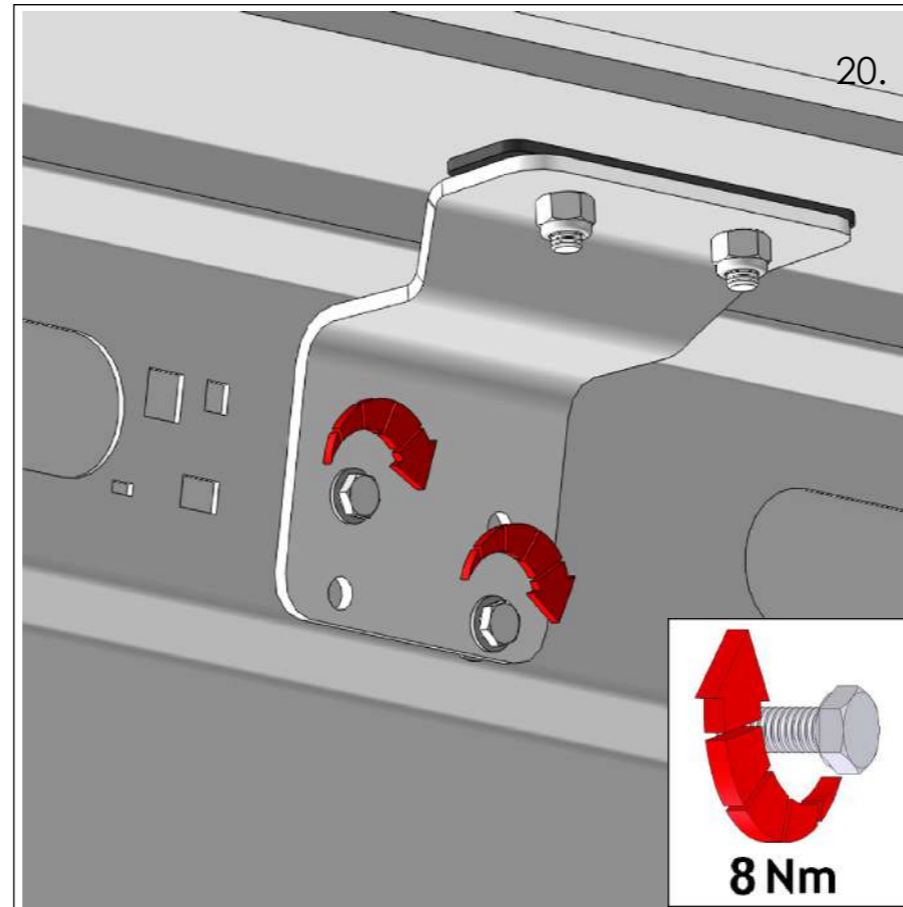
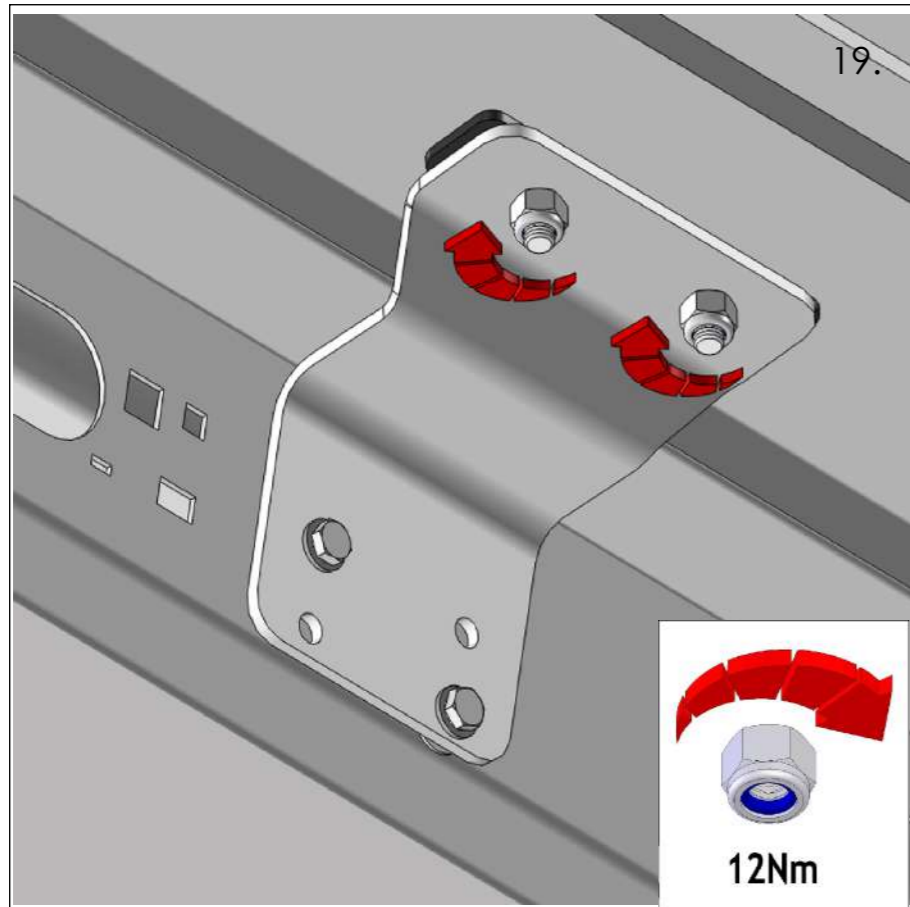
--	--	--

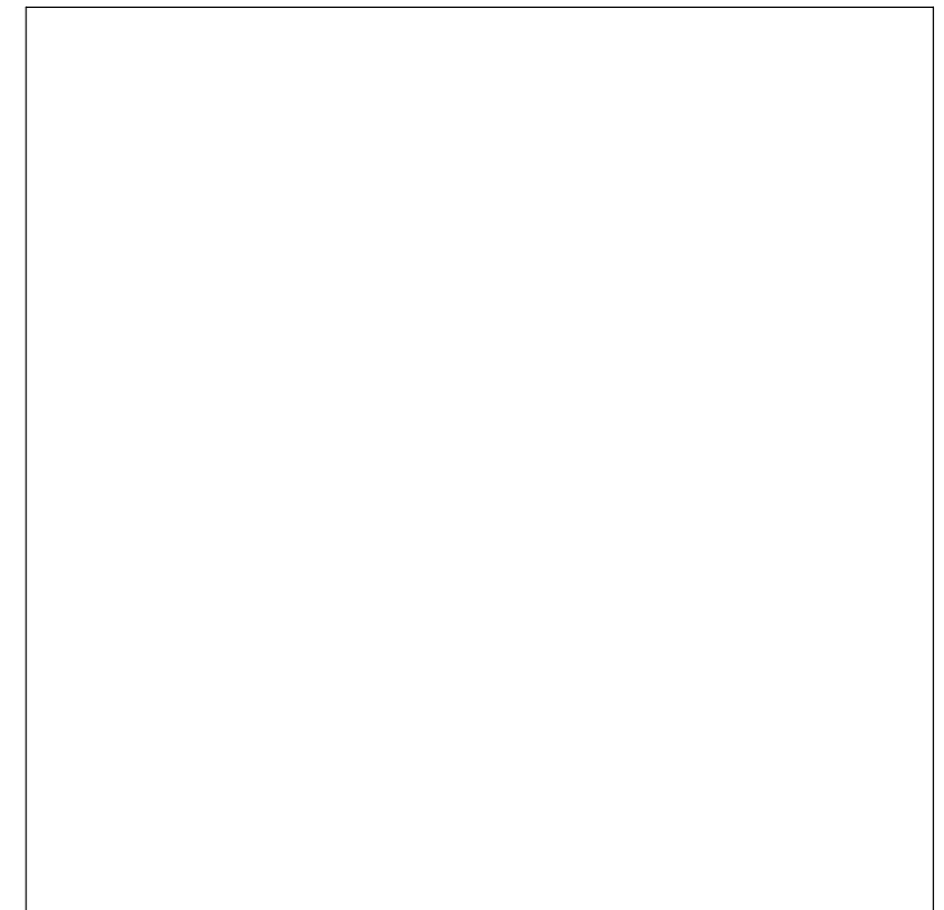
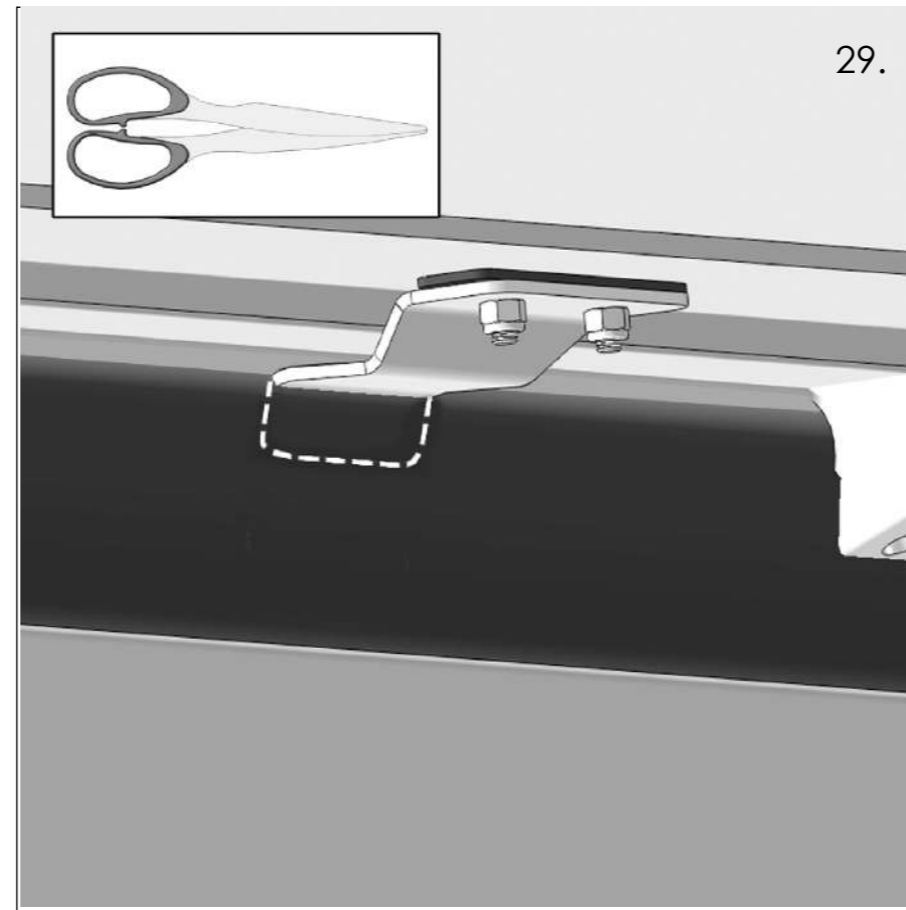
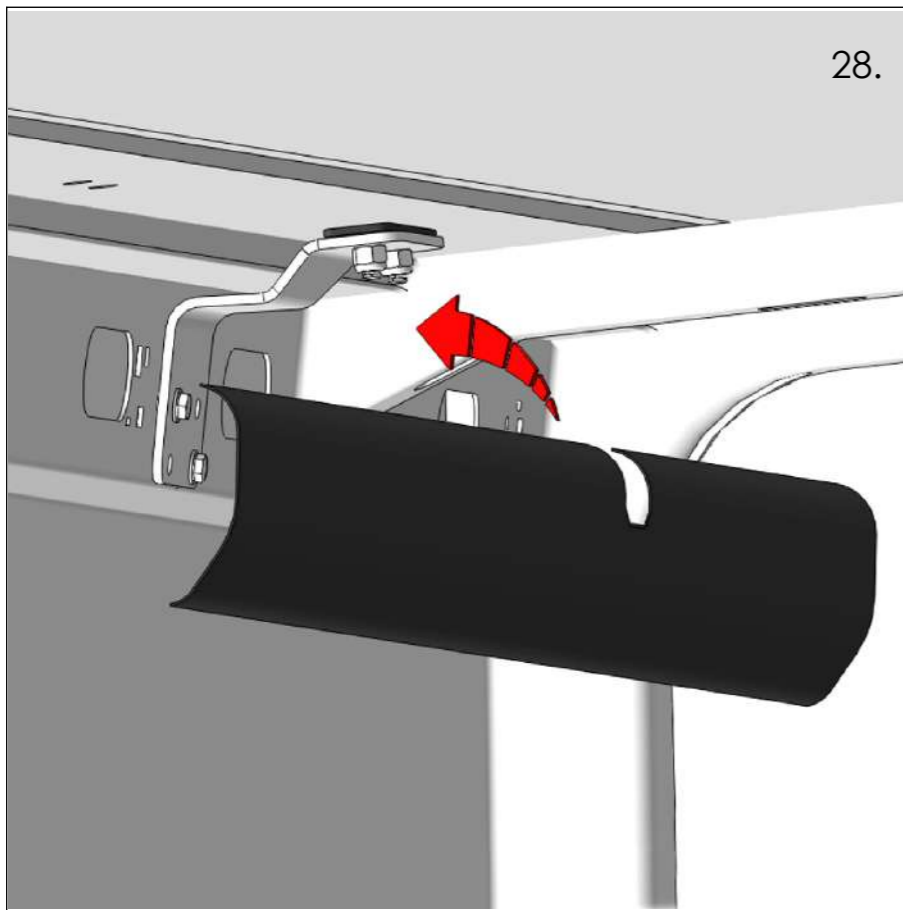
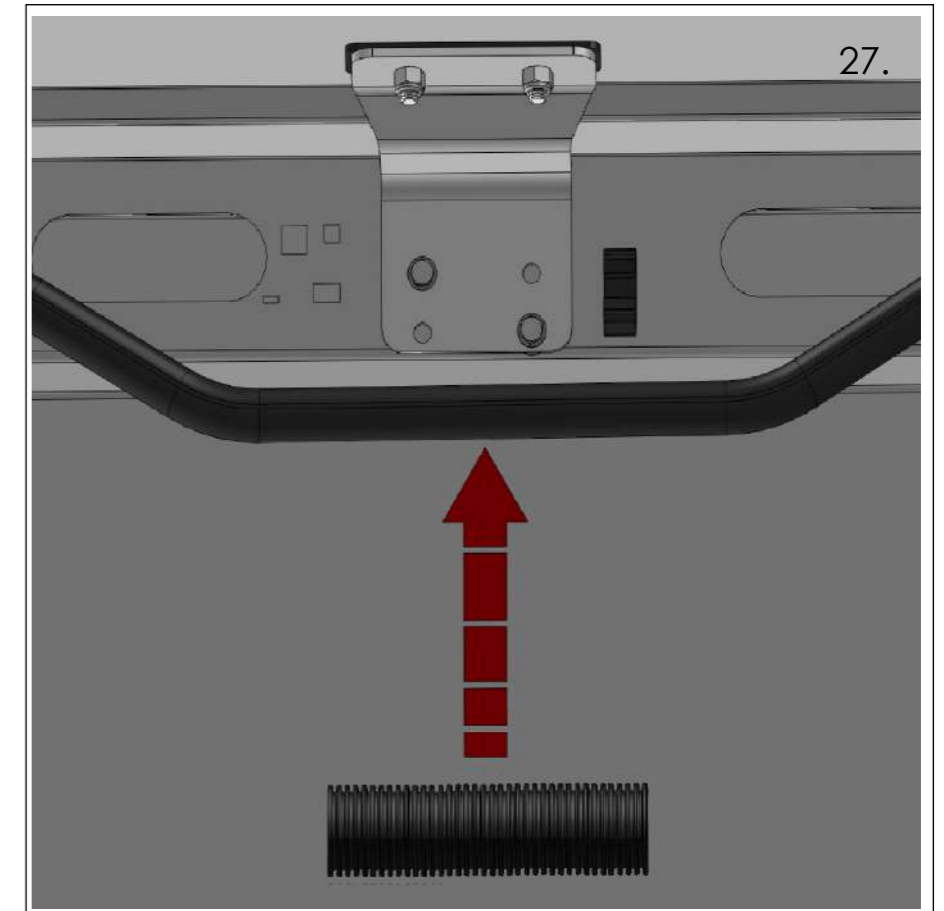
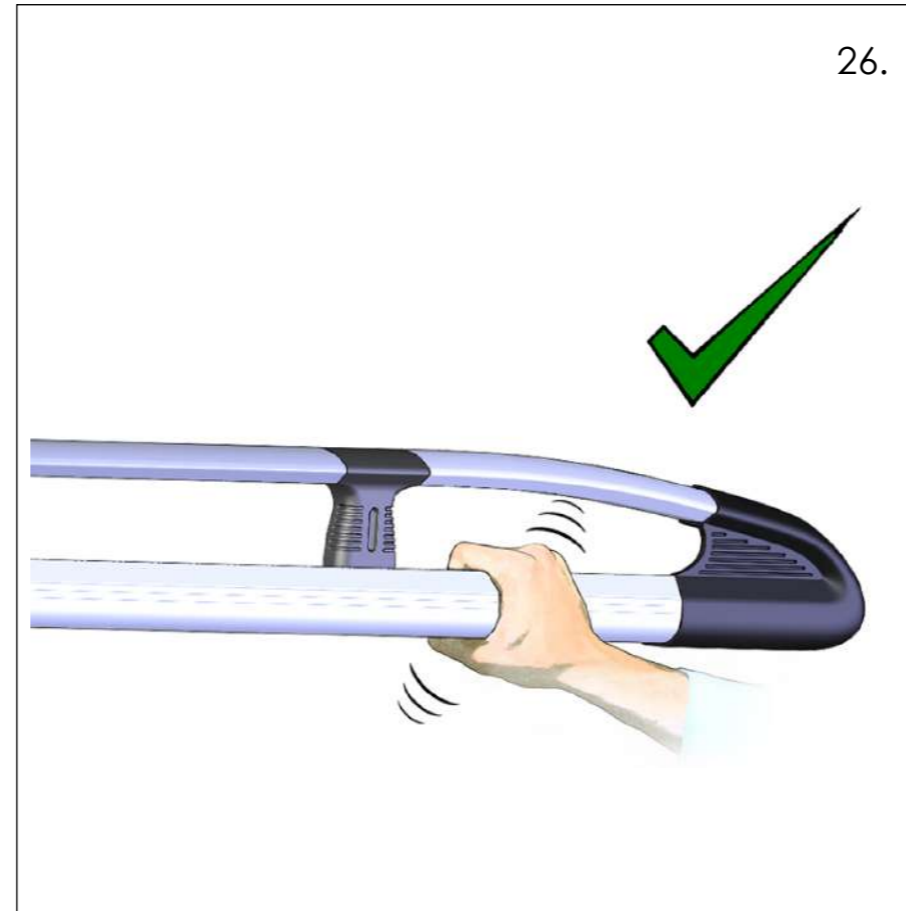


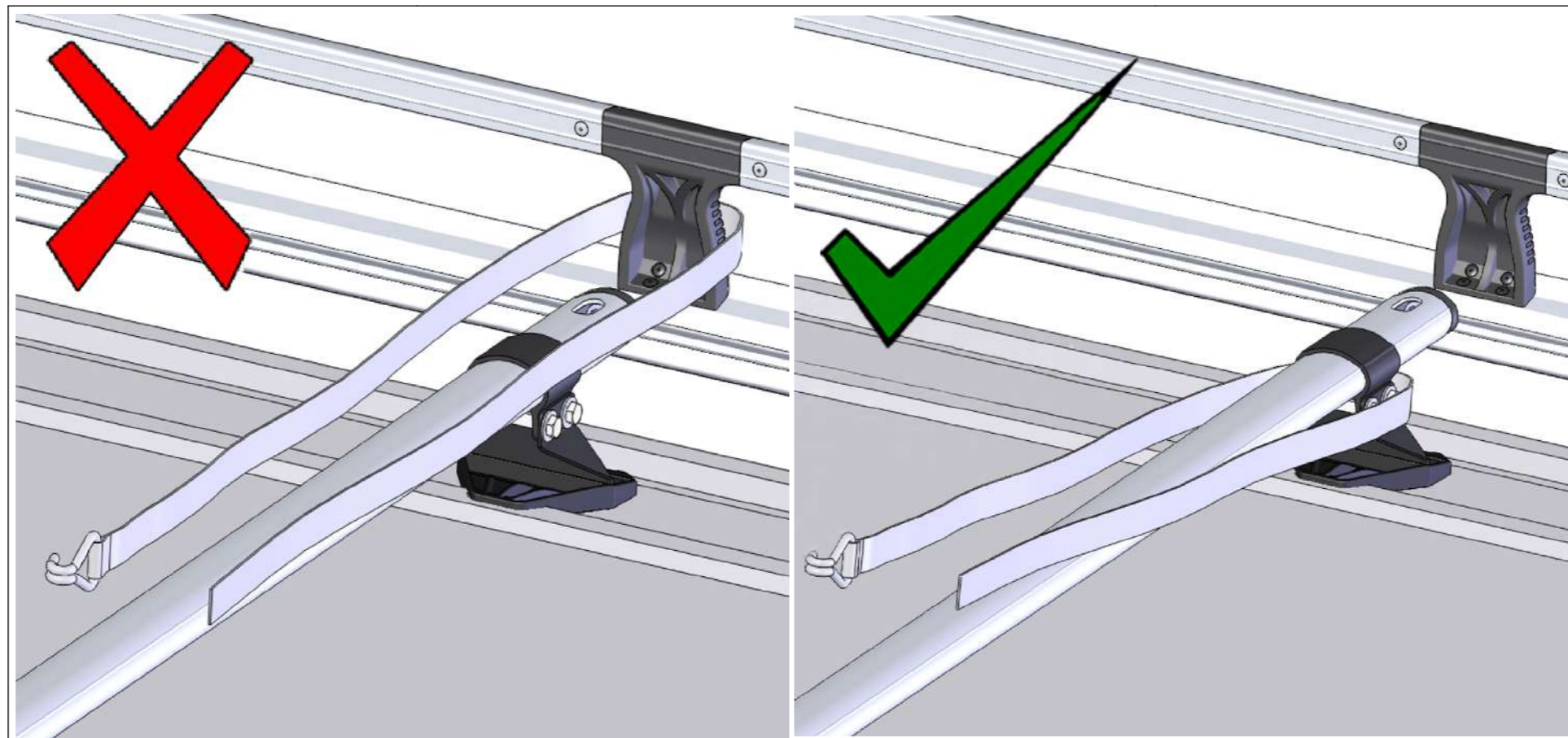
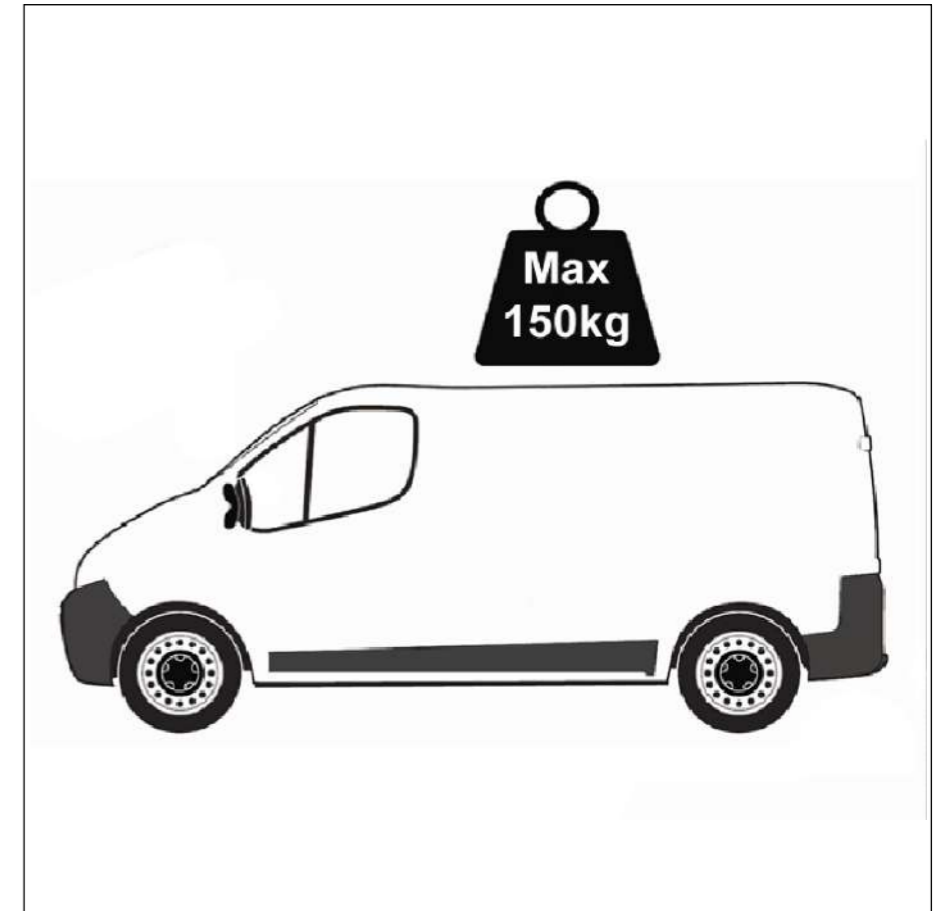
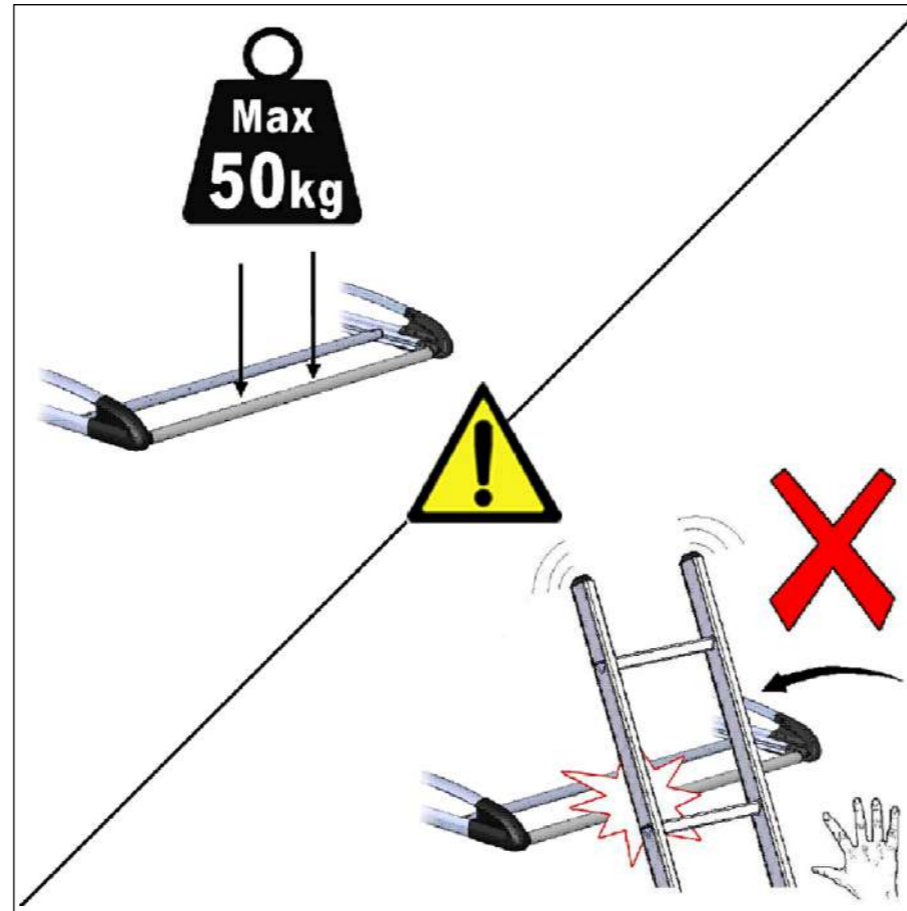
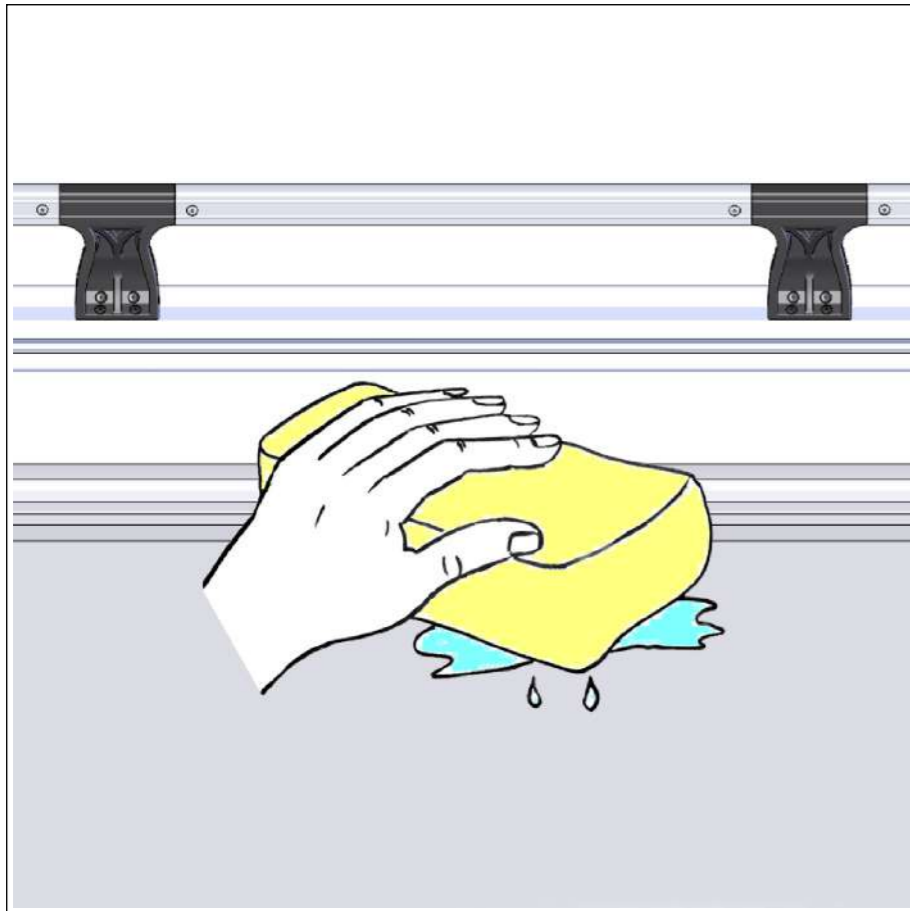





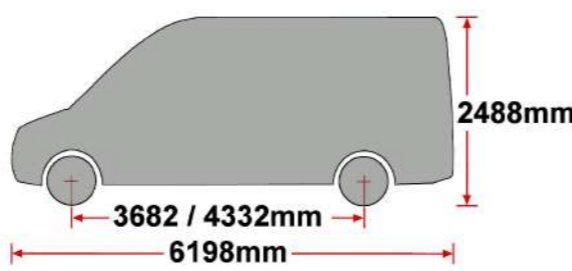
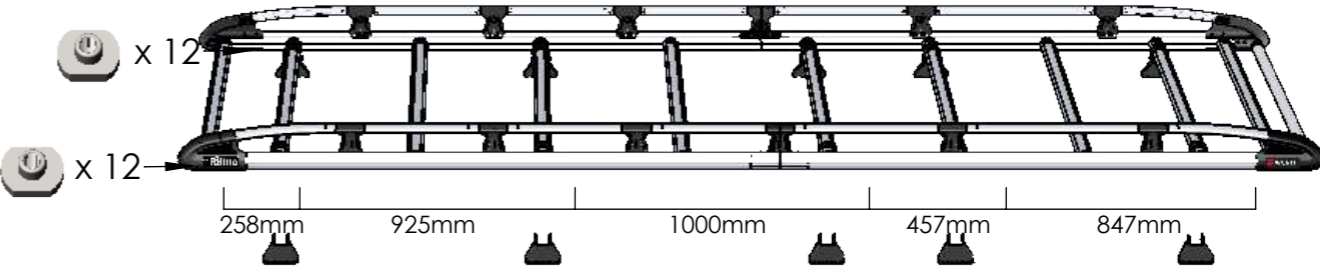



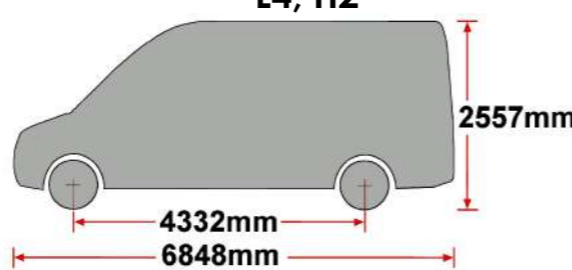
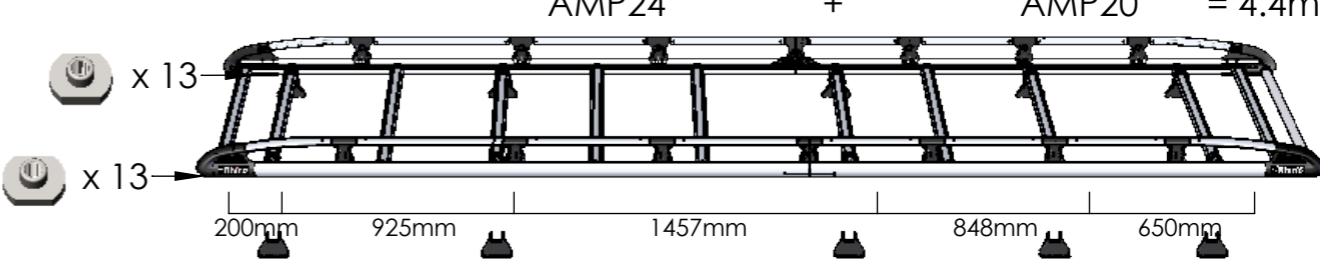






ALUMINIUM RACK - TYPE DESIGNATION FORM I

<h1>AH606</h1>  <p>49kg + xx kg = Max. 150kg</p>	<p>MASTER/MOVANO/NV400 2010-L3, H2</p>  <p>2488mm 3682 / 4332mm 6198mm</p>	<p>AMP20 + AMP18 = 3.8m</p>  <p>x 12 x 12</p> <p>258mm 925mm 1000mm 457mm 847mm</p>
---	---	--

<h1>AH607</h1>  <p>55kg + xx kg = Max. 150kg</p>	<p>MASTER/MOVANO/NV400 2010-L4, H2</p>  <p>2557mm 4332mm 6848mm</p>	<p>AMP24 + AMP20 = 4.4m</p>  <p>x 13 x 13</p> <p>200mm 925mm 1457mm 848mm 650mm</p>
--	---	--

--	--	--

--	--	--

