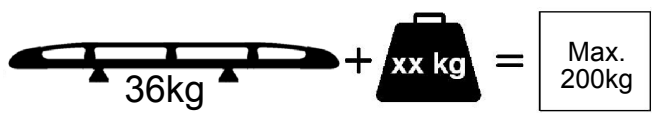
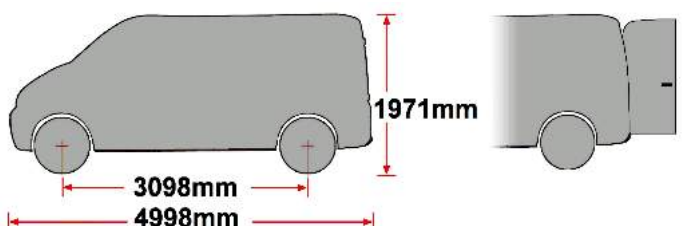
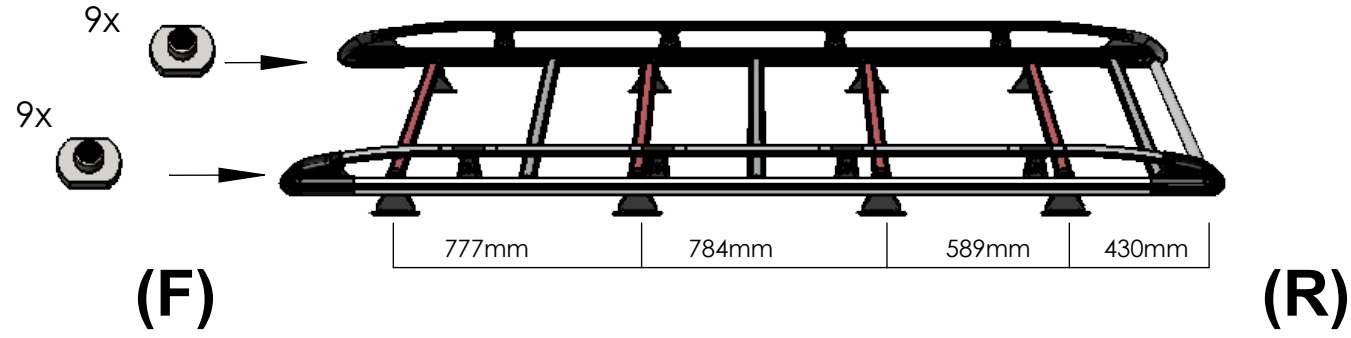
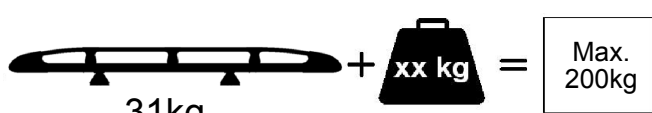
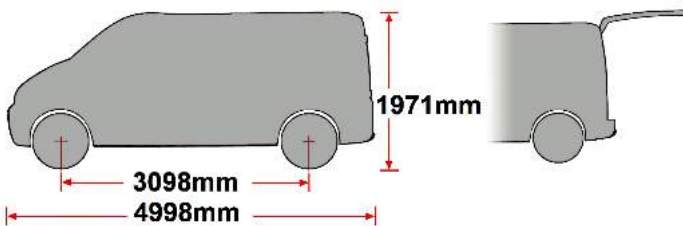
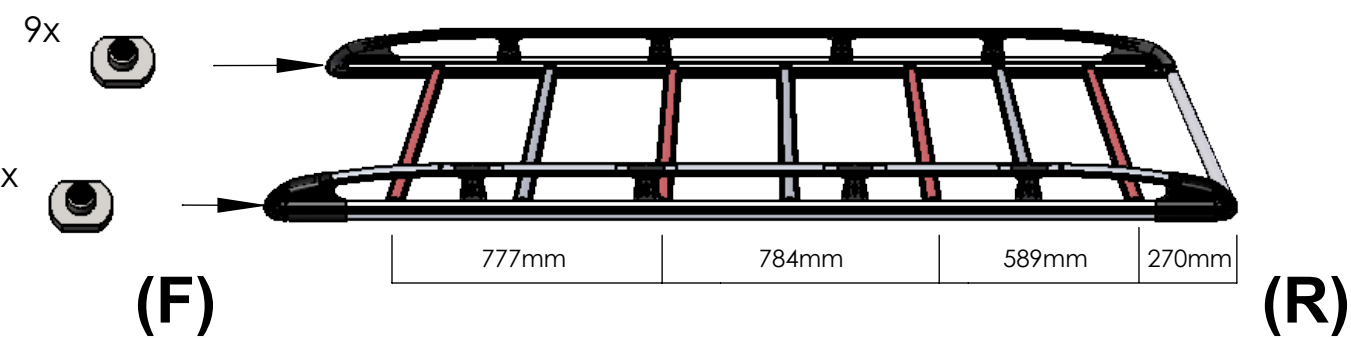
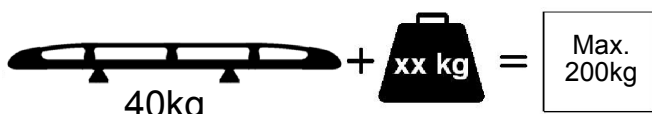
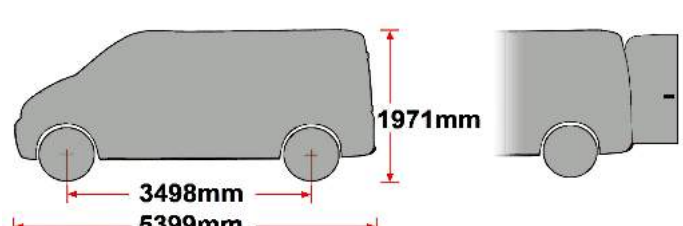
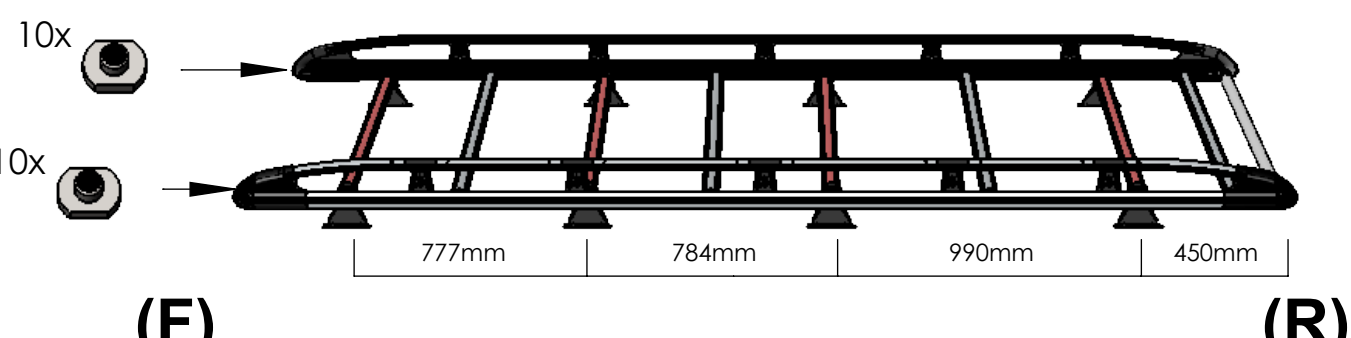
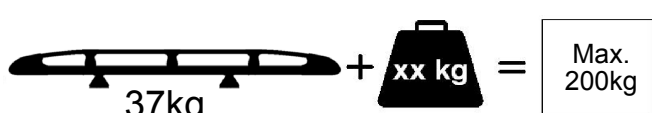
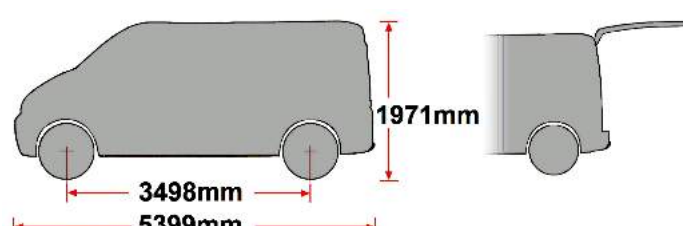
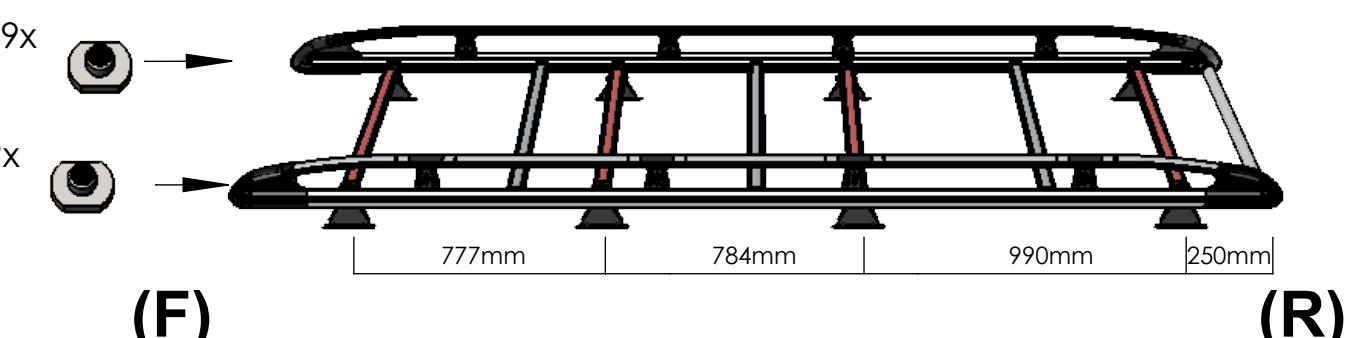


<h2 style="text-align: center;">A629</h2>  <p style="text-align: center;">36kg + xx kg = Max. 200kg</p>	<h3 style="text-align: center;">Vivaro/Traffic/Primastar 2014- L1, H1, TWIN DOORS</h3>  <p style="text-align: center;">3098mm 4998mm 1971mm</p>	 <p style="text-align: center;">9x 9x</p> <p style="text-align: center;">(F) (R)</p> <p style="text-align: center;">777mm 784mm 589mm 430mm</p>
--	---	--

<h2 style="text-align: center;">A630</h2>  <p style="text-align: center;">31kg + xx kg = Max. 200kg</p>	<h3 style="text-align: center;">Vivaro/Traffic/Primastar 2014- L1, H1, TAILGATE</h3>  <p style="text-align: center;">3098mm 4998mm 1971mm</p>	 <p style="text-align: center;">9x 9x</p> <p style="text-align: center;">(F) (R)</p> <p style="text-align: center;">777mm 784mm 589mm 270mm</p>
--	---	--

<h2 style="text-align: center;">A631</h2>  <p style="text-align: center;">40kg + xx kg = Max. 200kg</p>	<h3 style="text-align: center;">Vivaro/Traffic/Primastar 2014- L2, H1, TWIN DOORS</h3>  <p style="text-align: center;">3498mm 5399mm 1971mm</p>	 <p style="text-align: center;">10x 10x</p> <p style="text-align: center;">(F) (R)</p> <p style="text-align: center;">777mm 784mm 990mm 450mm</p>
--	---	--

<h2 style="text-align: center;">A632</h2>  <p style="text-align: center;">37kg + xx kg = Max. 200kg</p>	<h3 style="text-align: center;">Vivaro/Traffic/Primastar 2014- L2, H1, TAILGATE</h3>  <p style="text-align: center;">3498mm 5399mm 1971mm</p>	 <p style="text-align: center;">9x 9x</p> <p style="text-align: center;">(F) (R)</p> <p style="text-align: center;">777mm 784mm 990mm 250mm</p>
--	---	--



EXT09-004 x 8



MS417 x 8



PS095 x 8



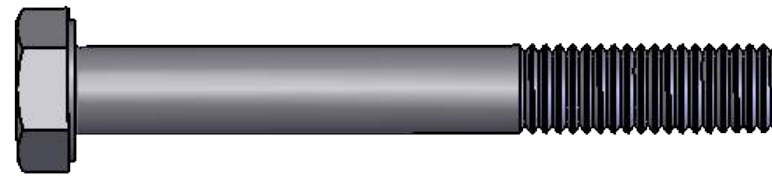
PS089 x 1



PS090 x 1

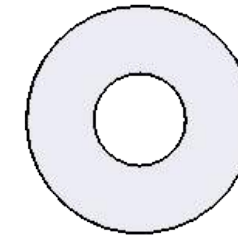


PS210 x 8



FB003 (M8 x 65) x 16

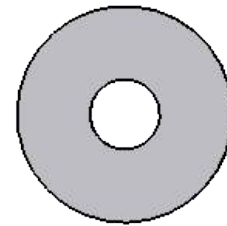
(1:1)



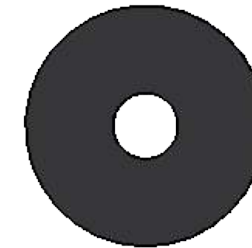
FW002 (M8) x 32



FN006 (M8) x 16



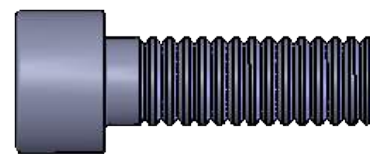
FW036(M6) x 16



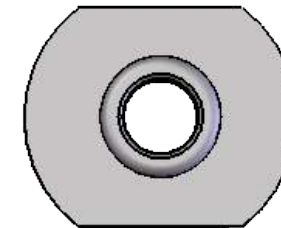
PS208 (M6) x 16



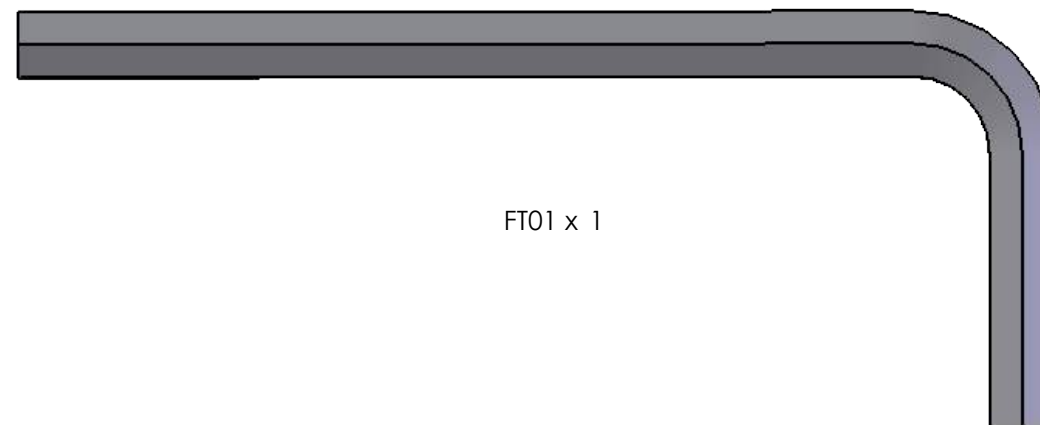
FS038 (M6 x 25) x 16



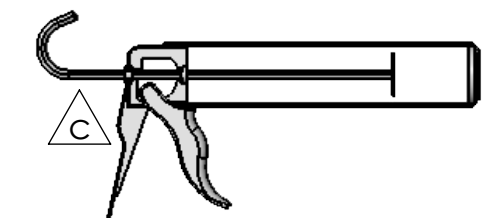
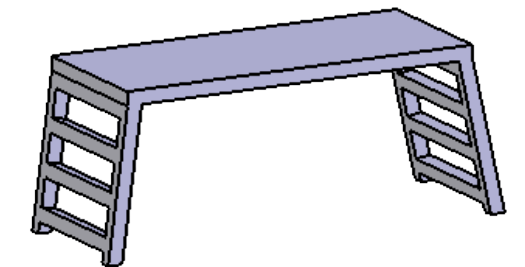
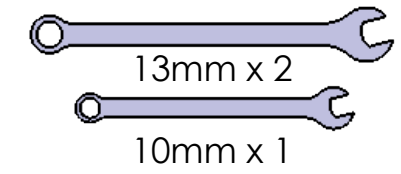
FS059 (M8 x 25) x 20

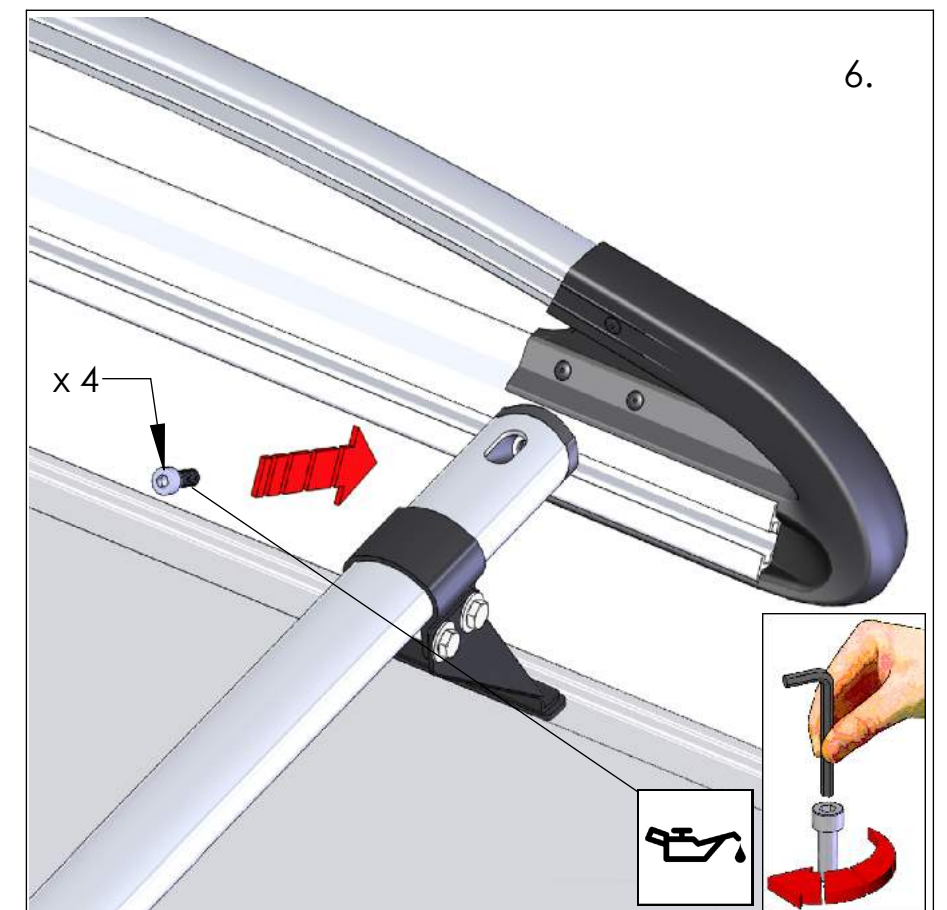
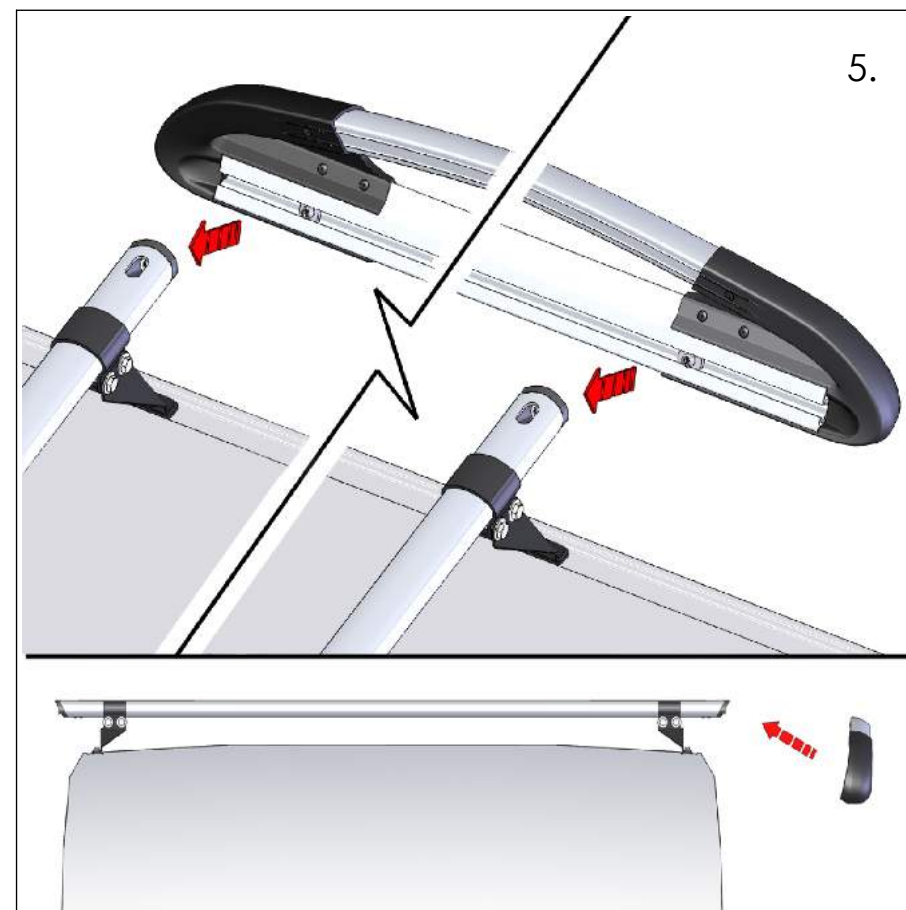
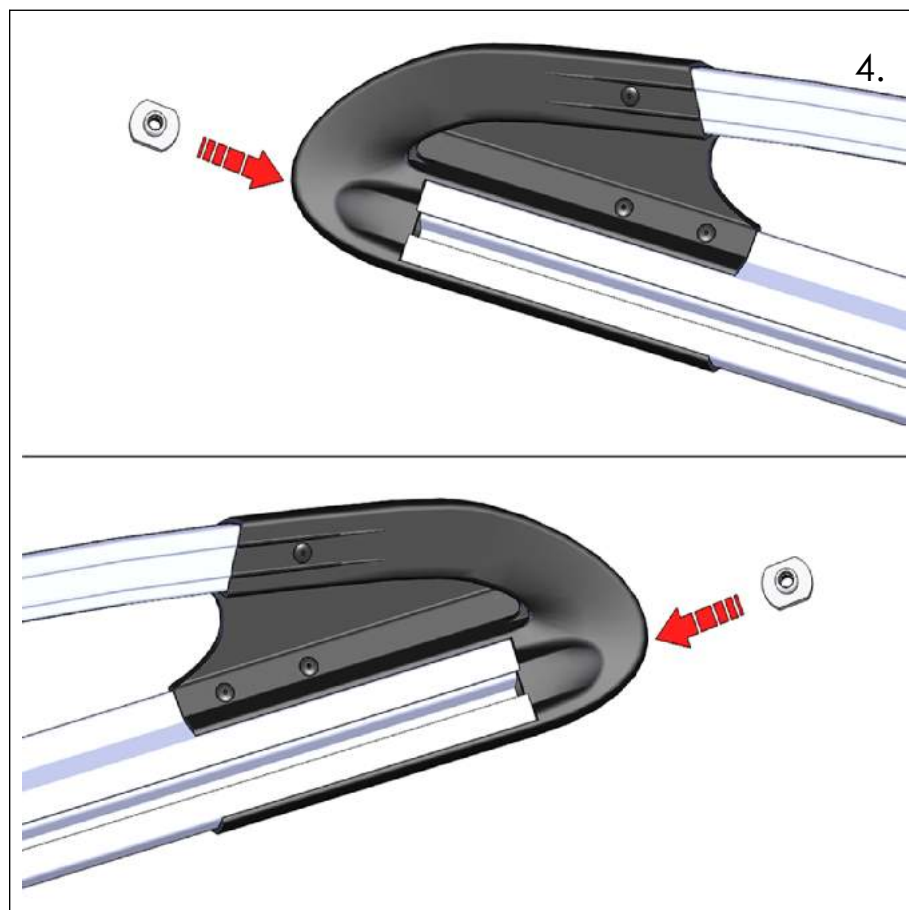
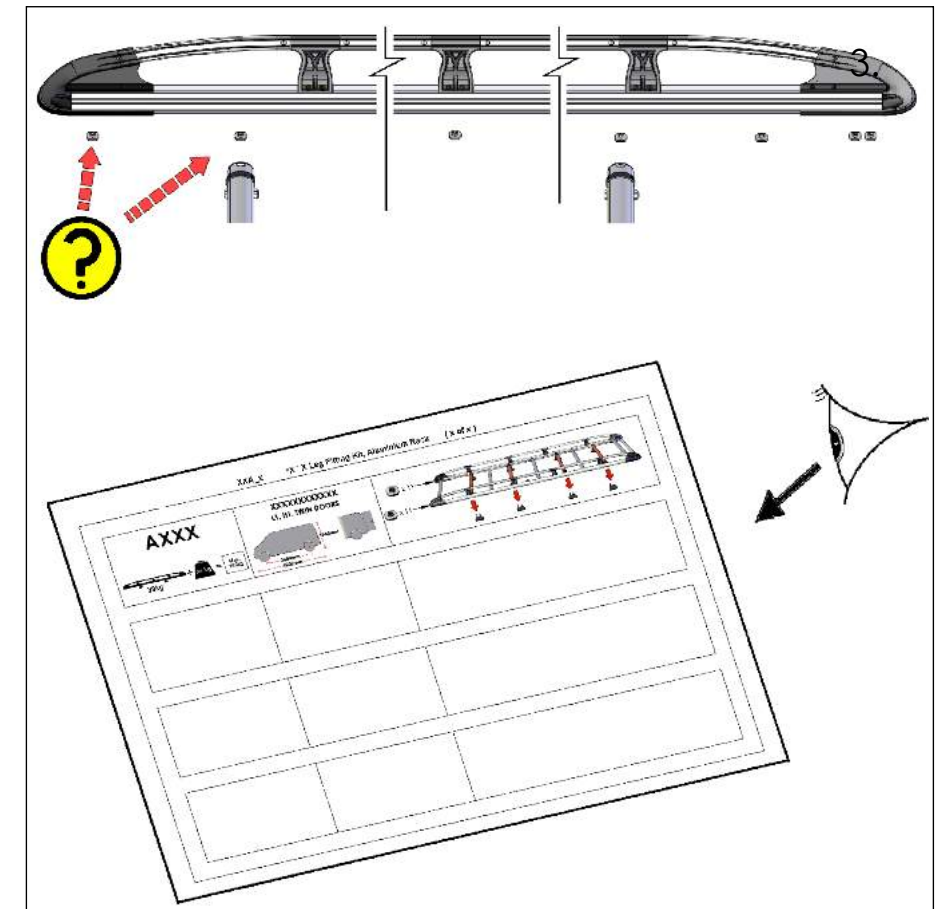
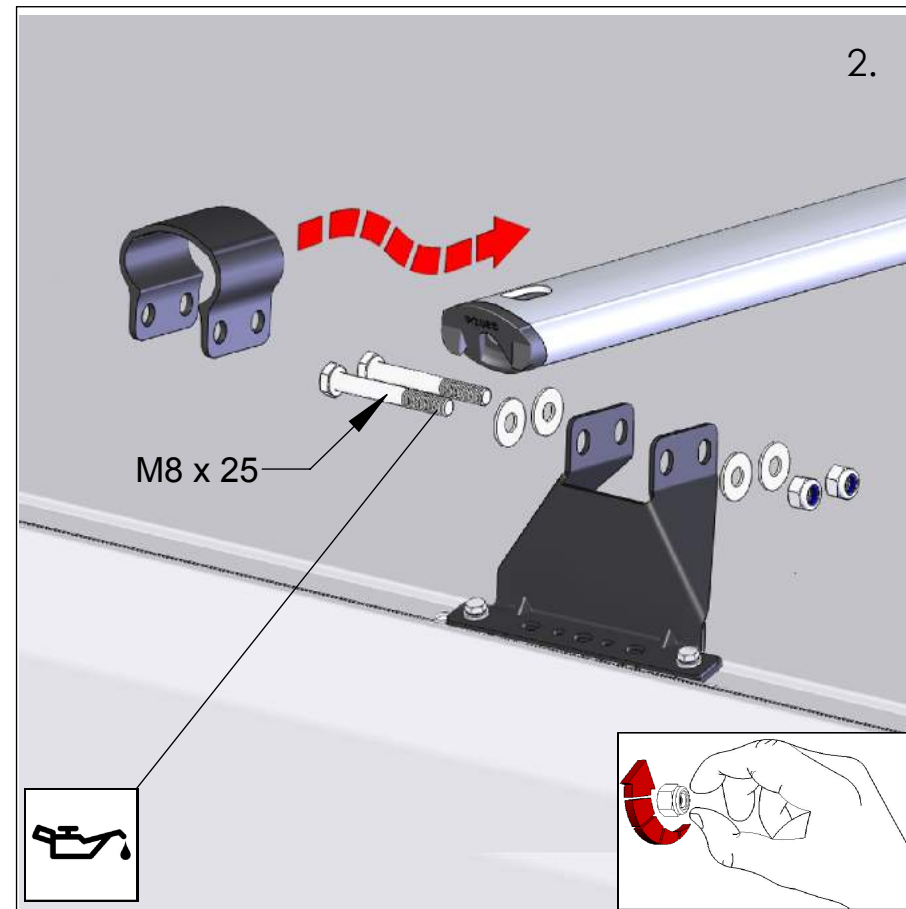
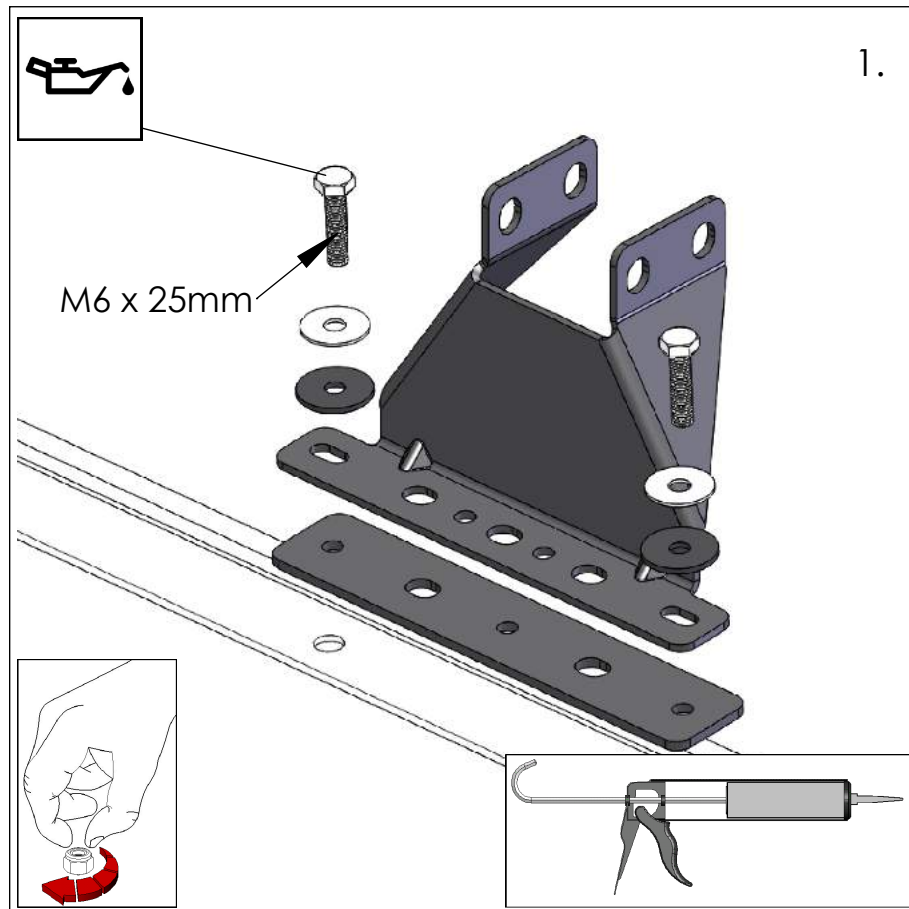


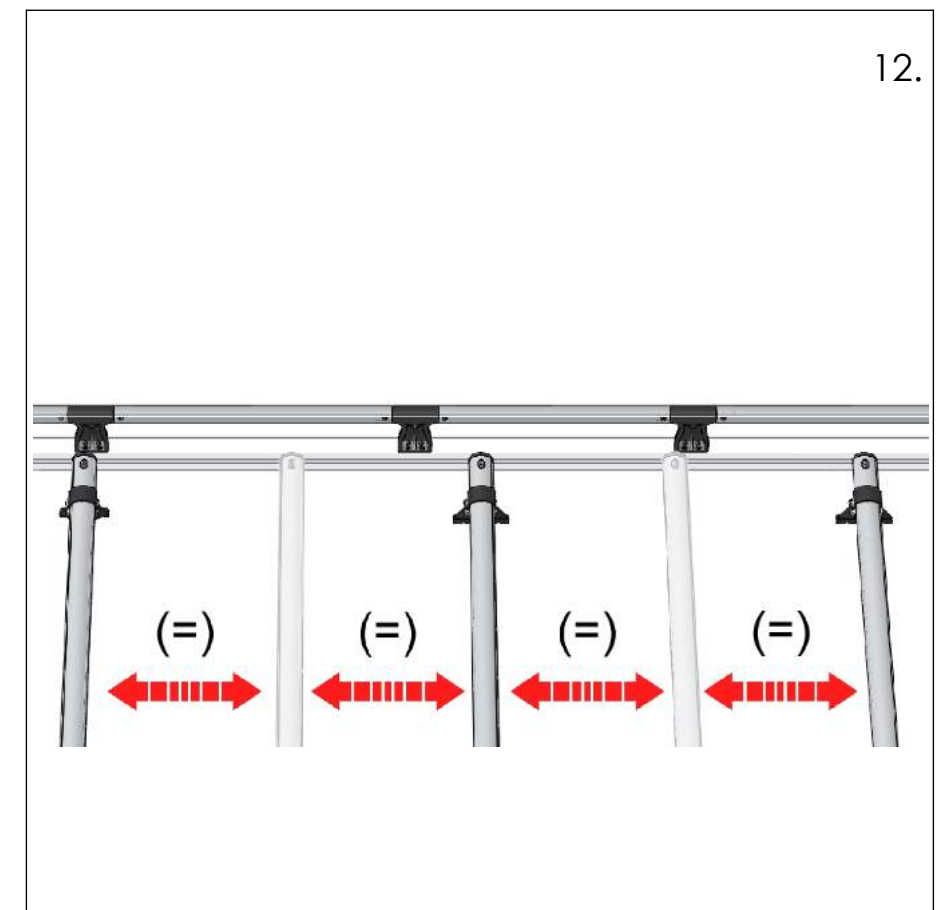
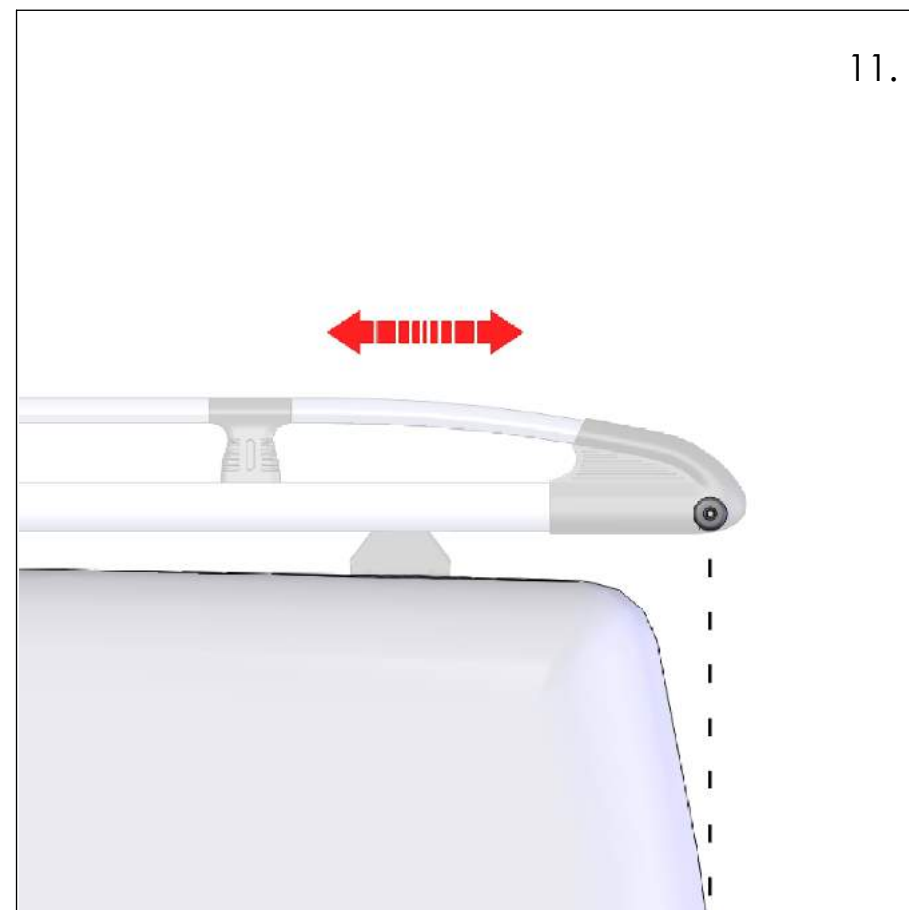
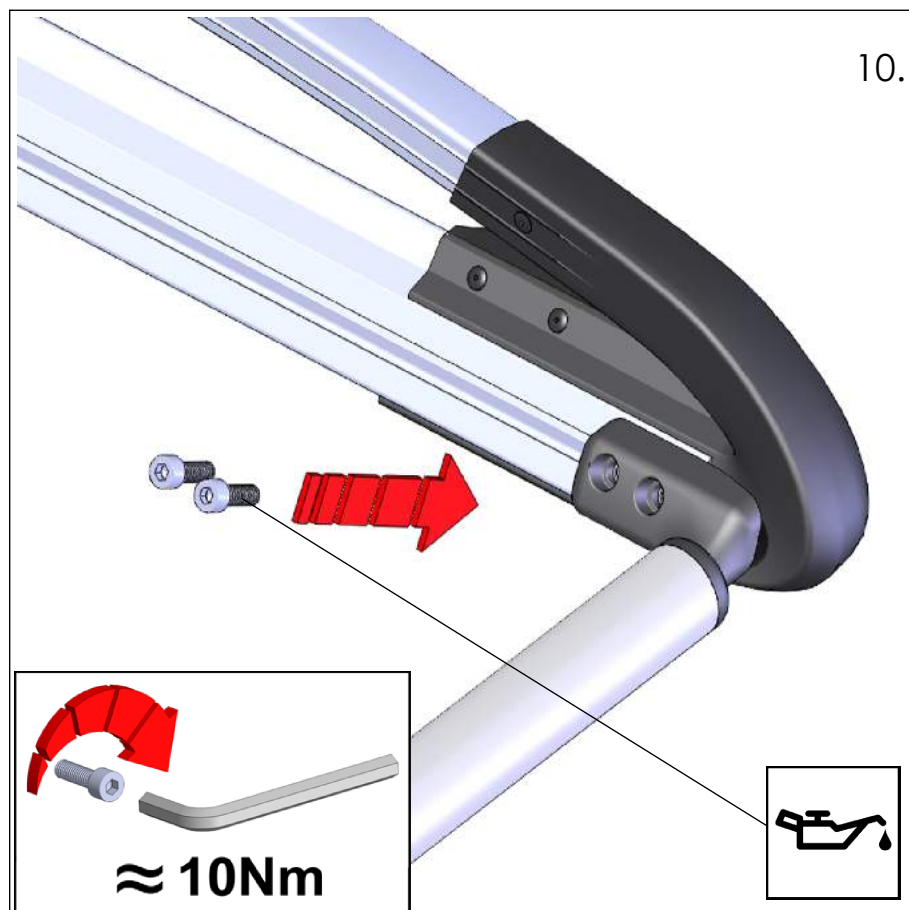
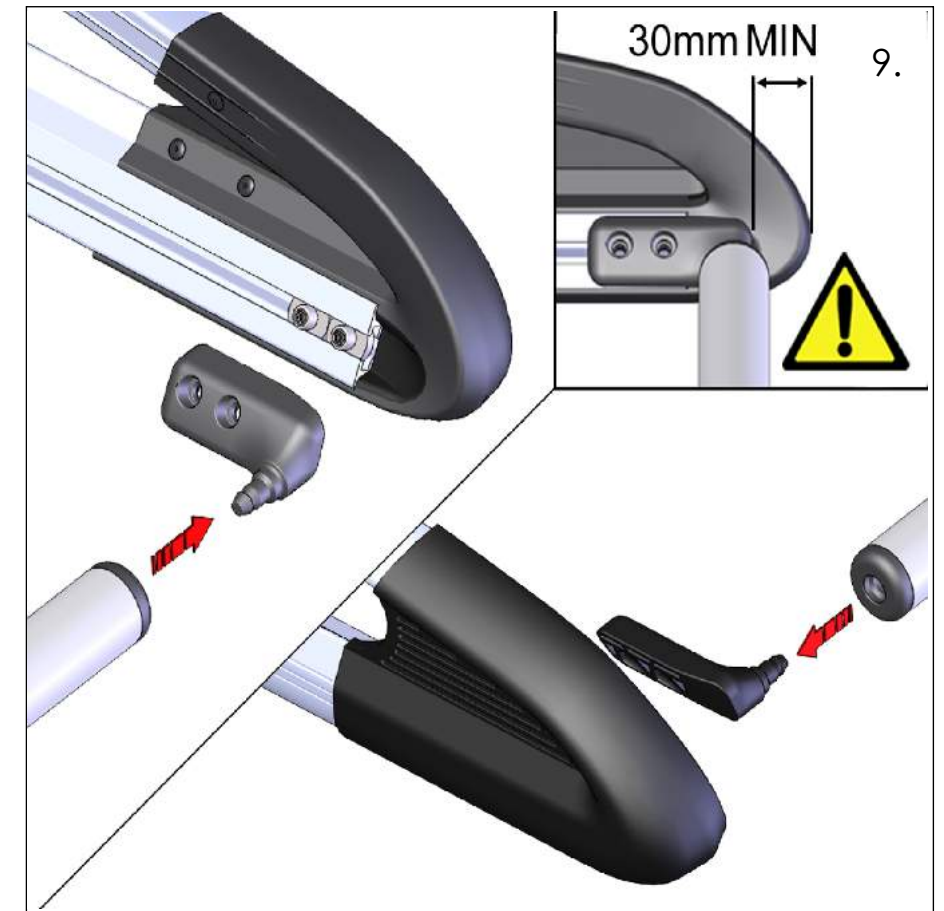
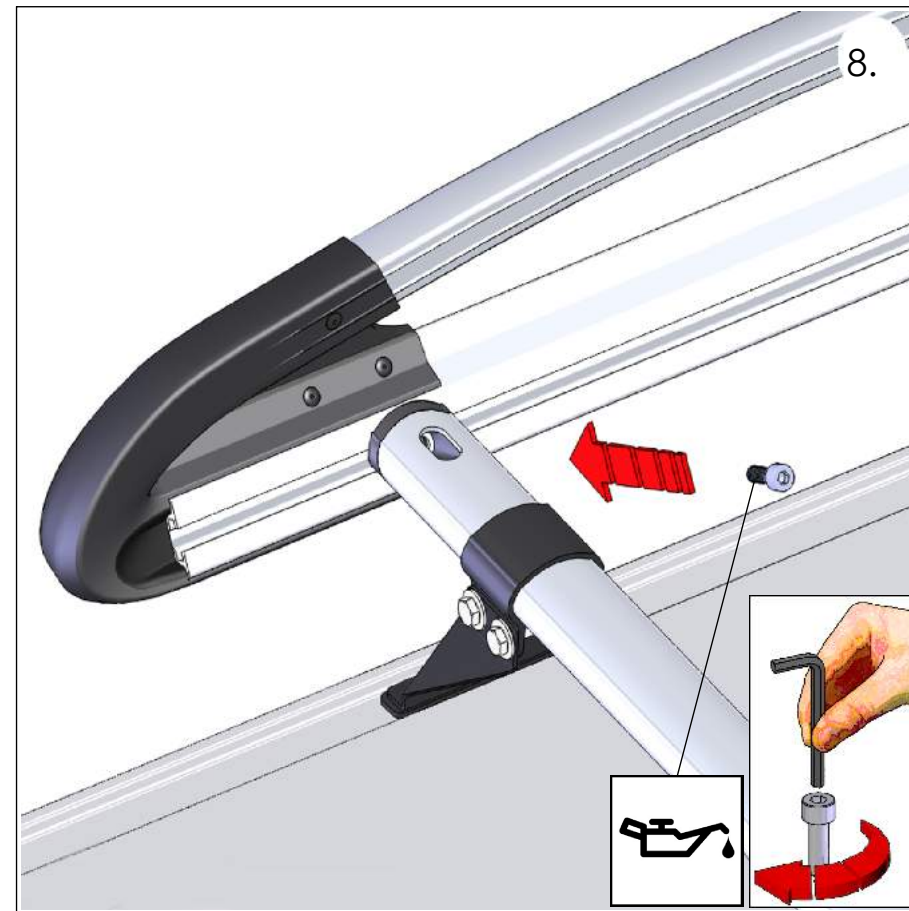
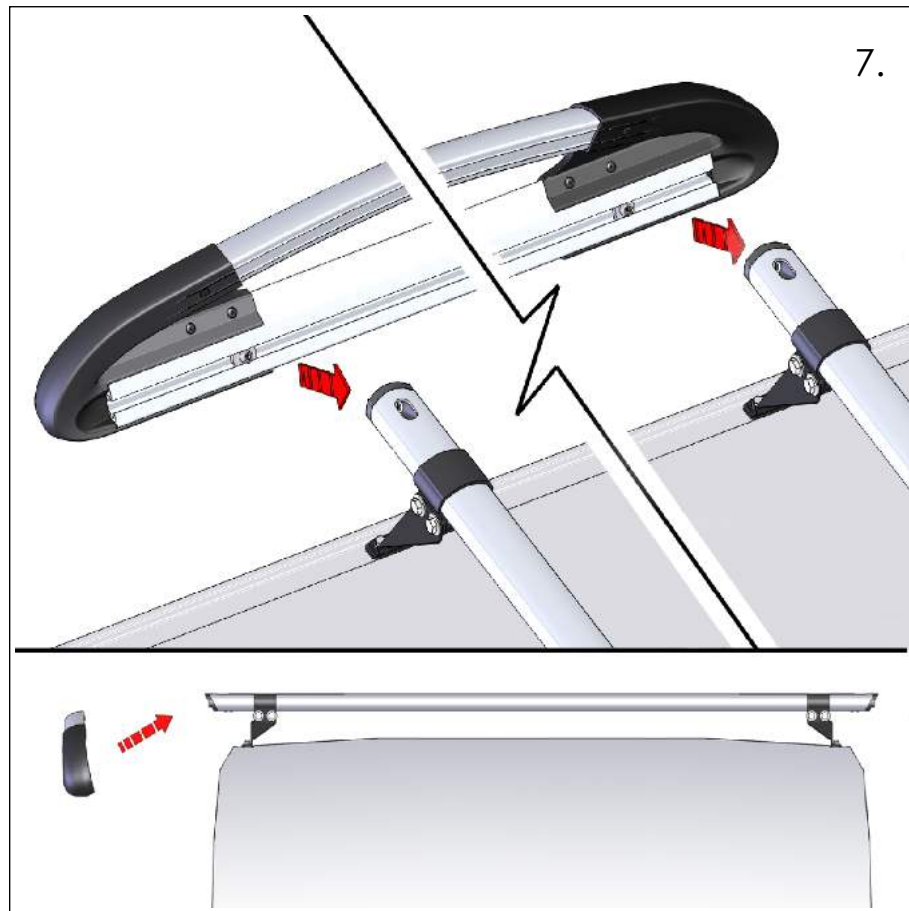
FN023 (M8) x 20

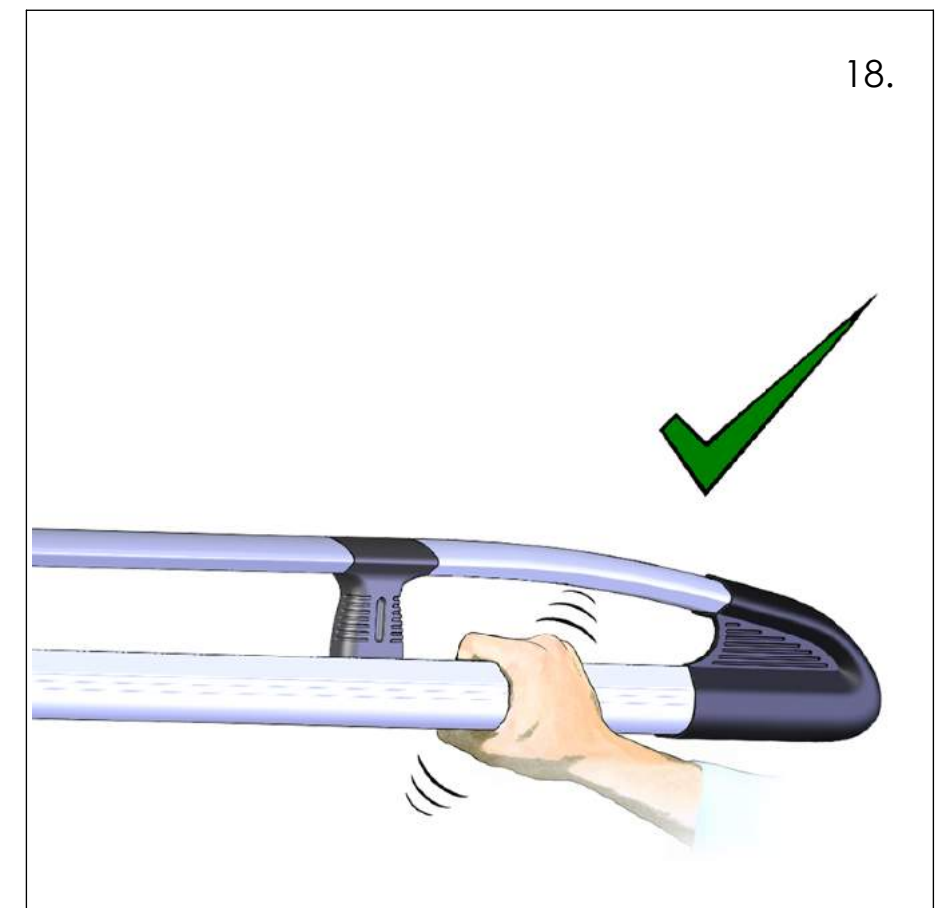
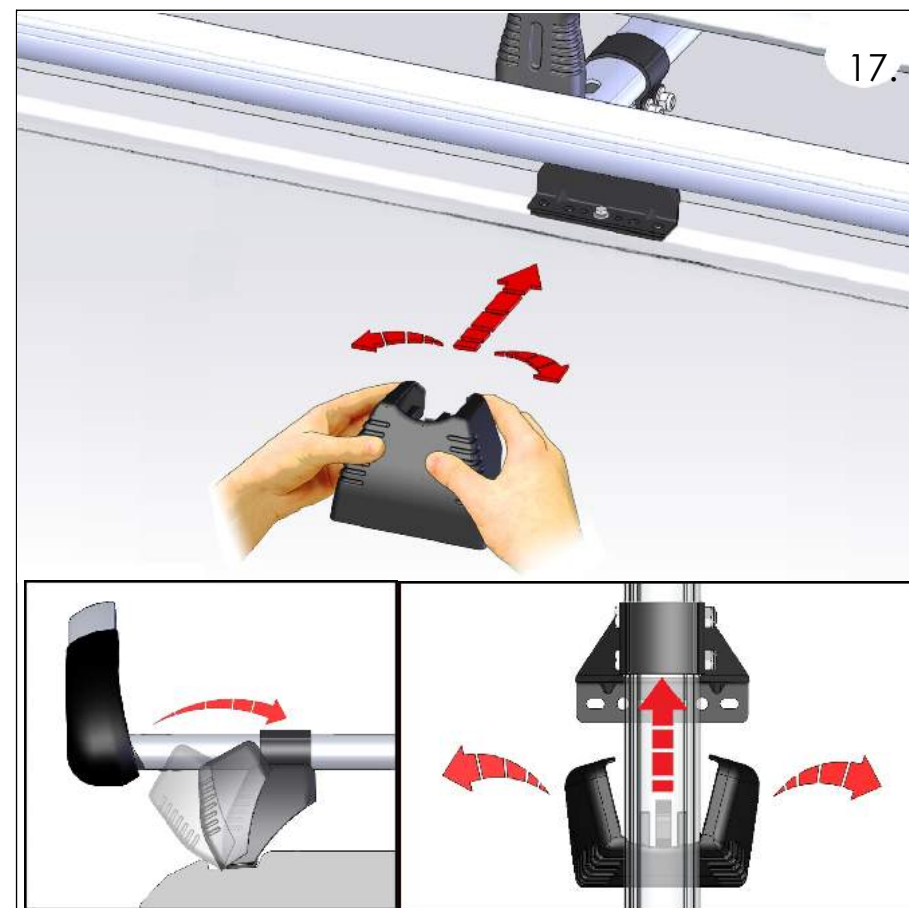
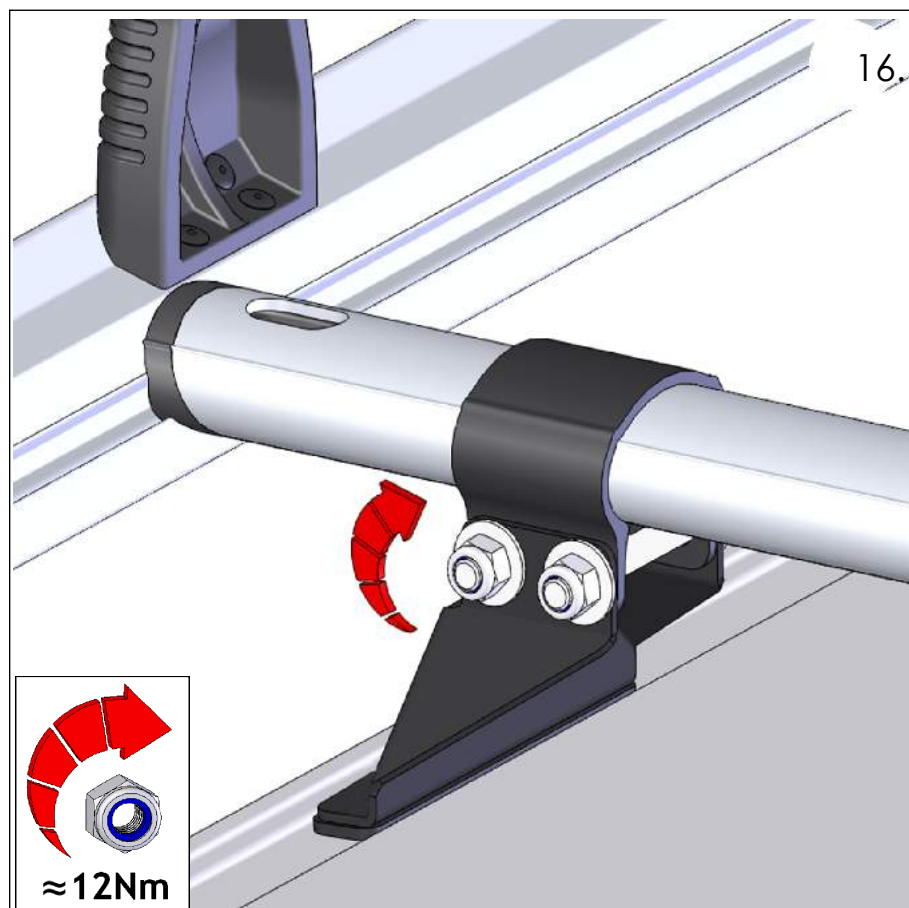
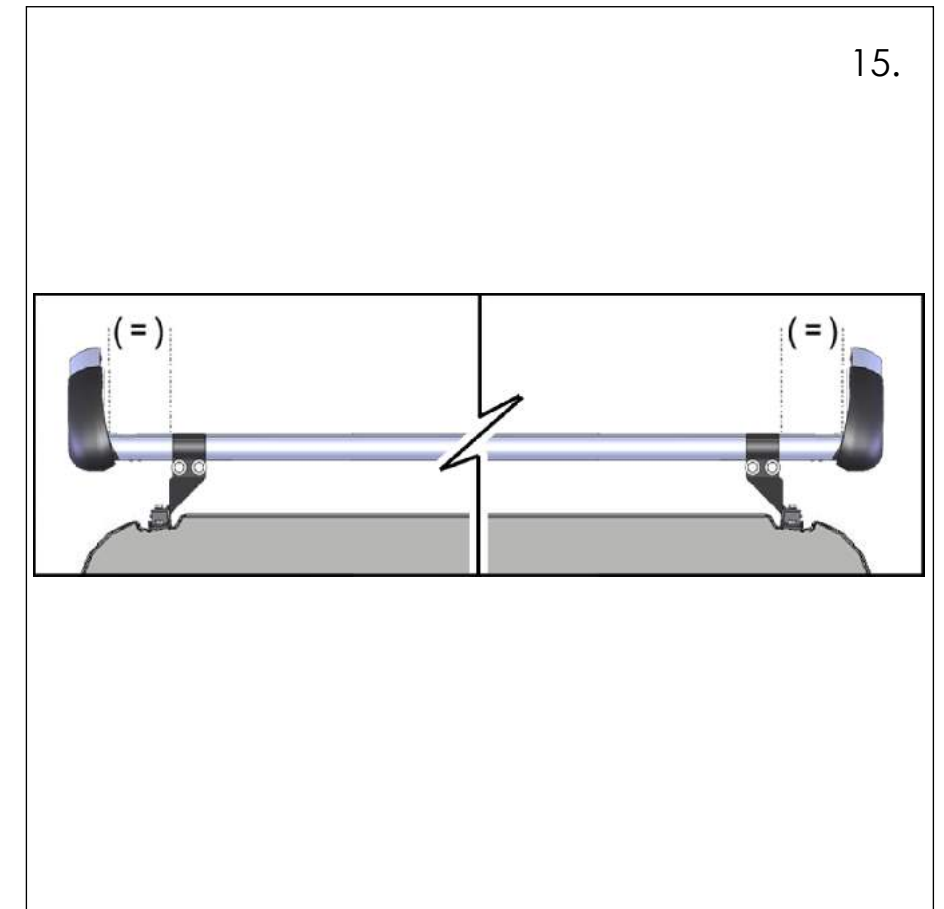
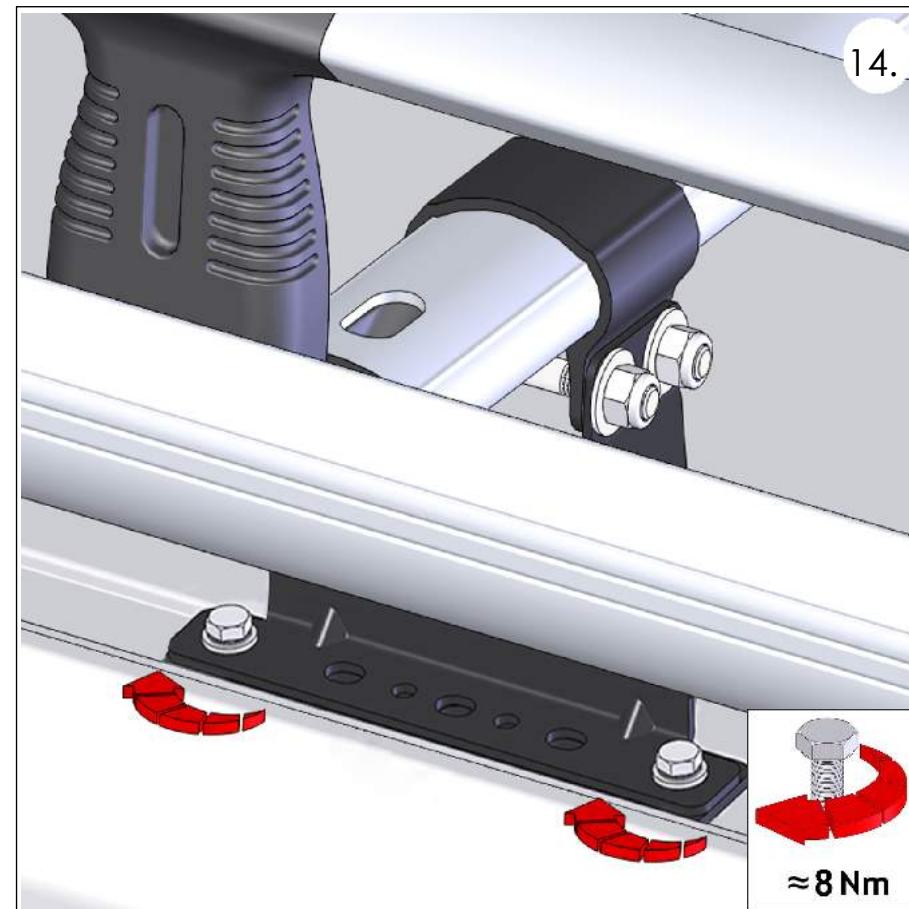
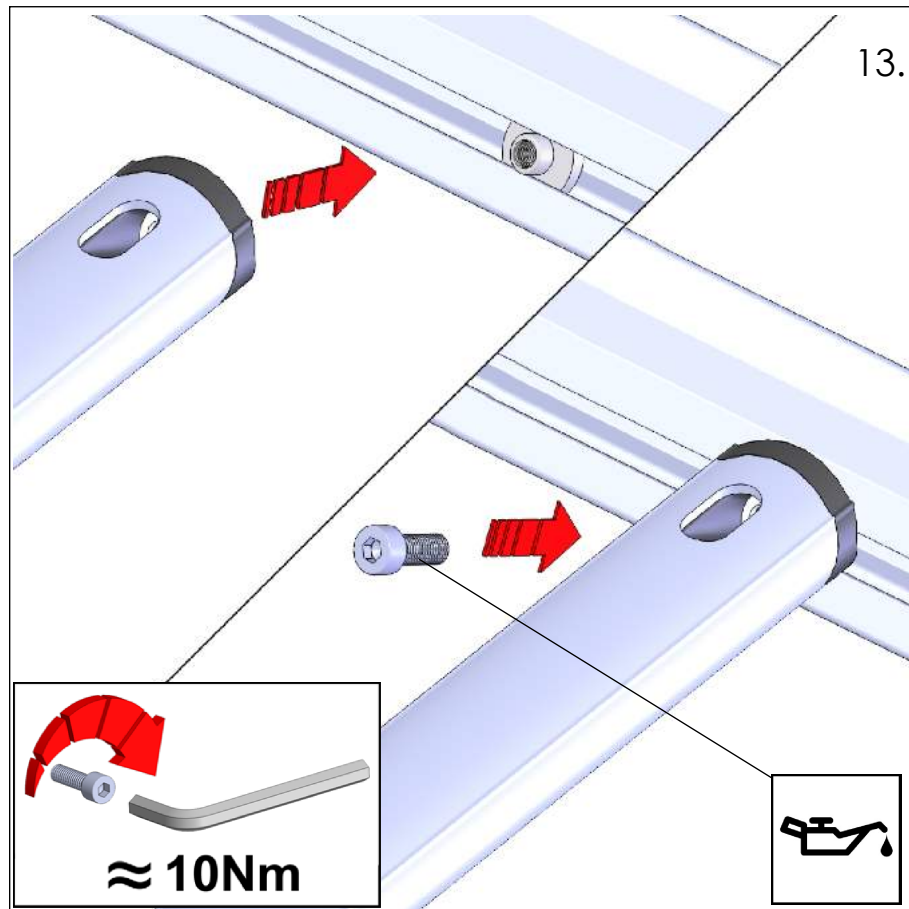


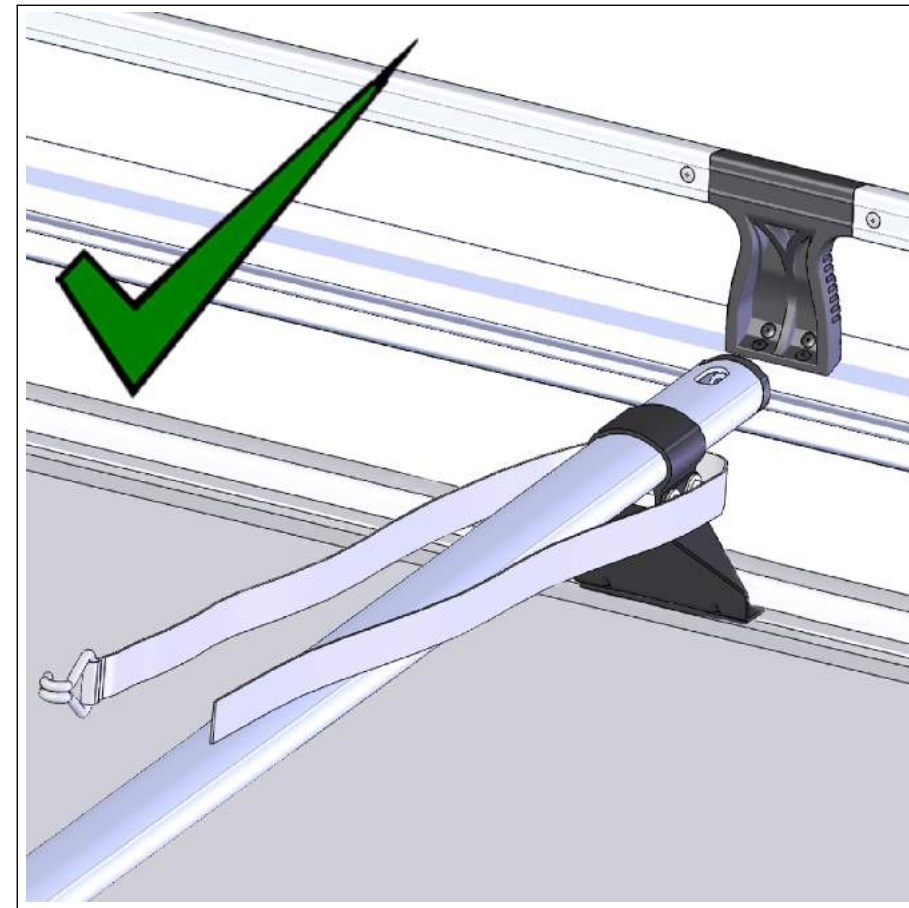
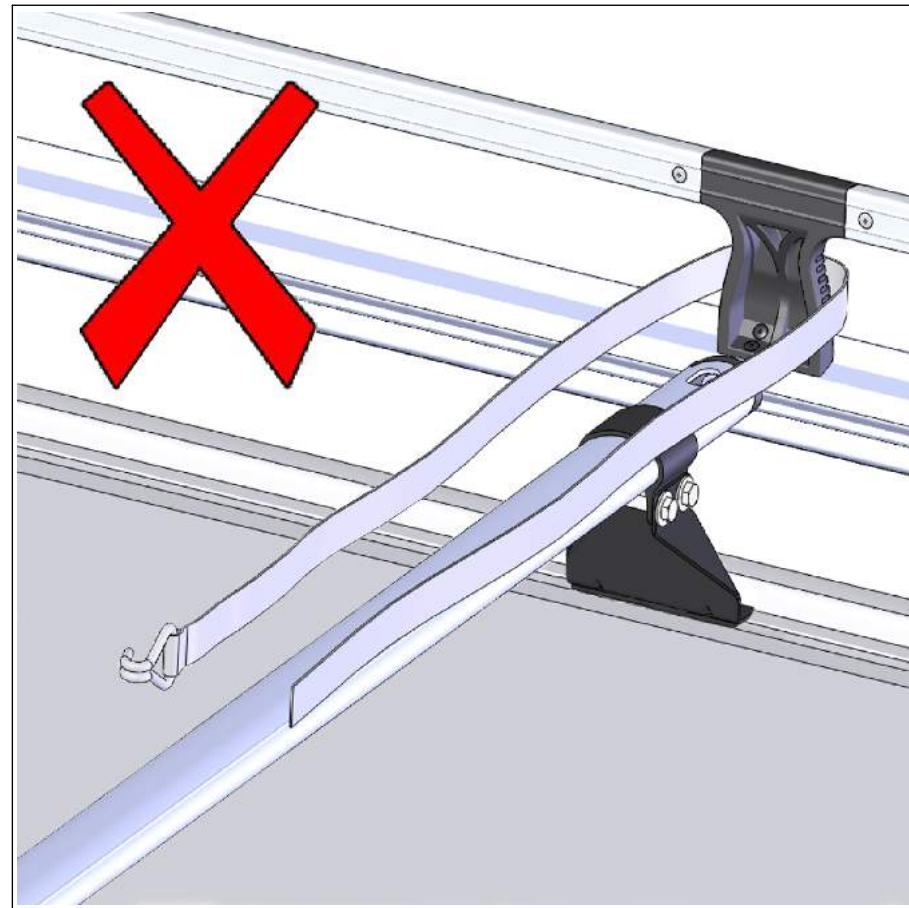
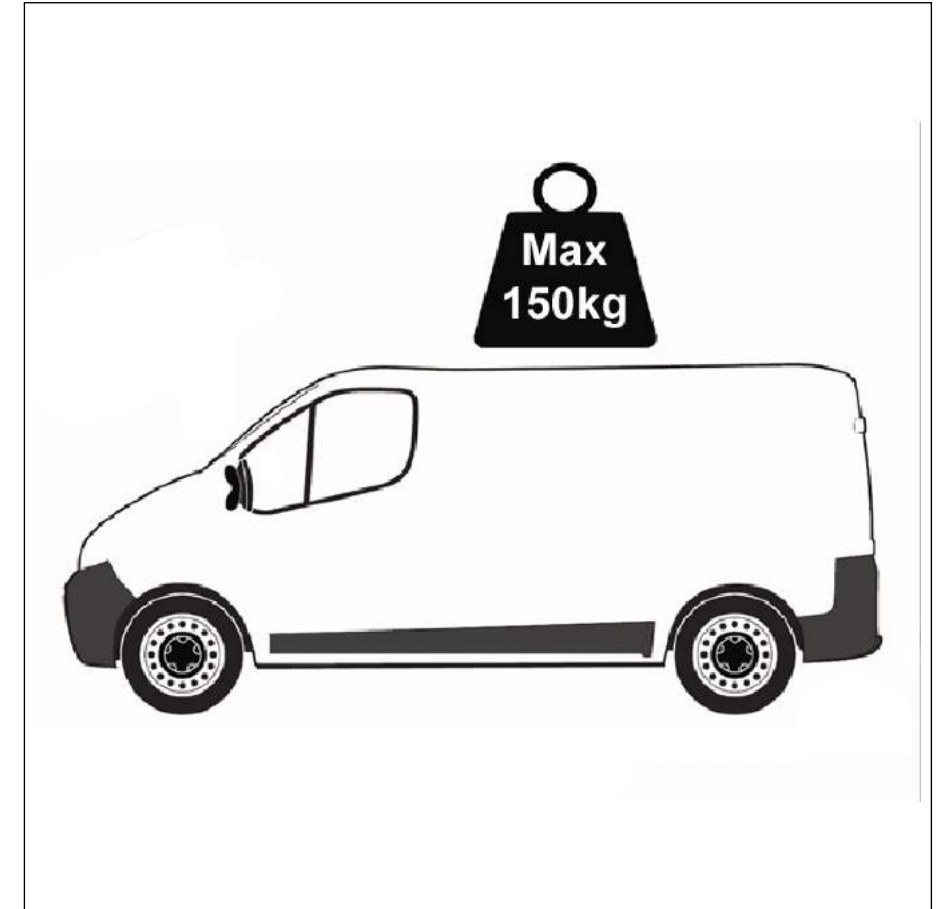
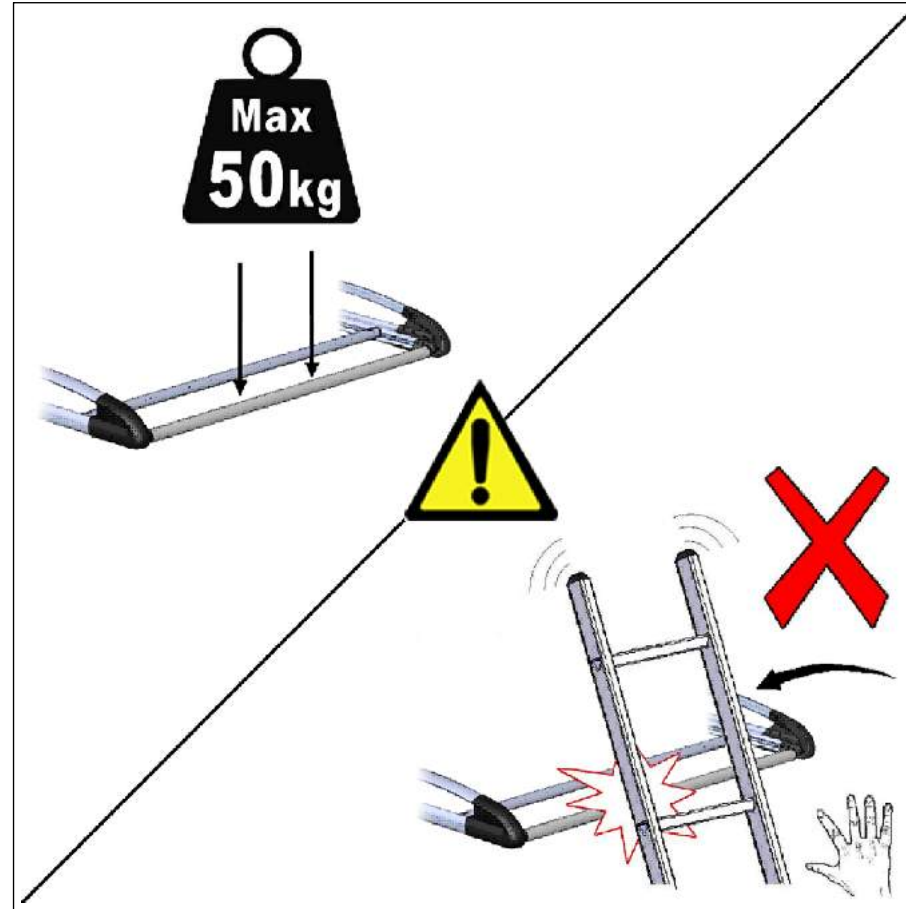
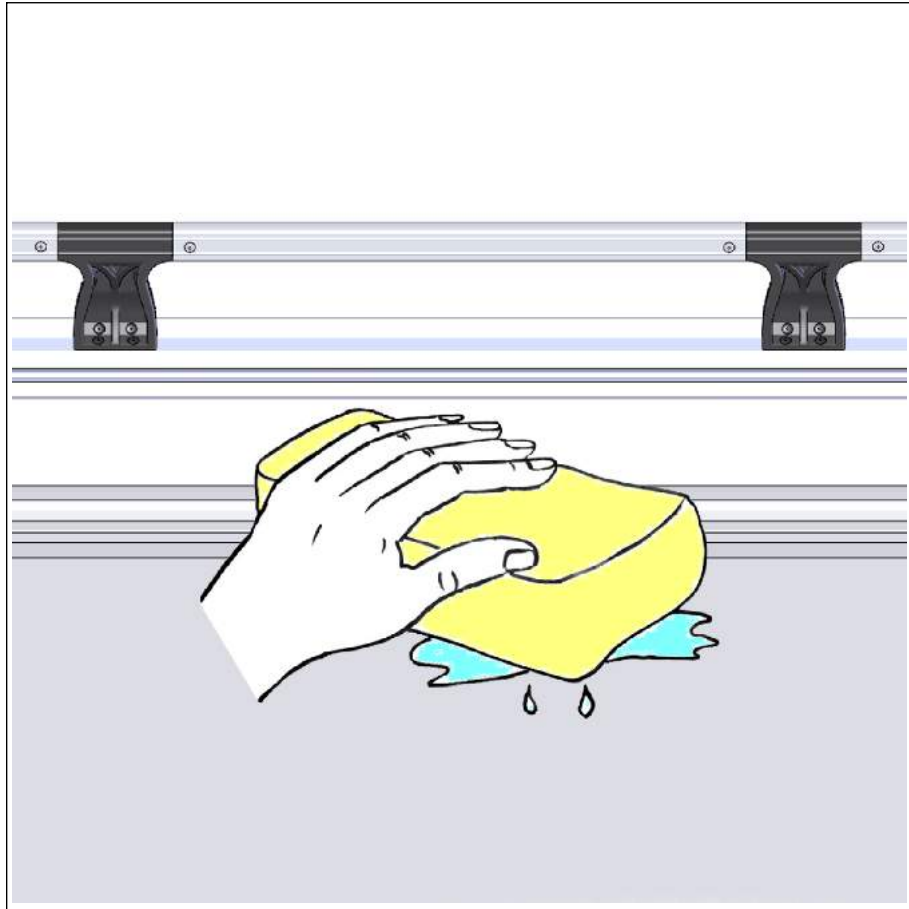
FT01 x 1


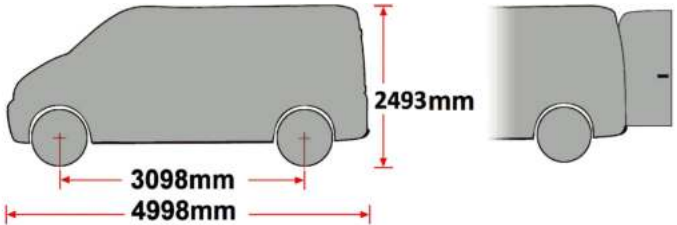
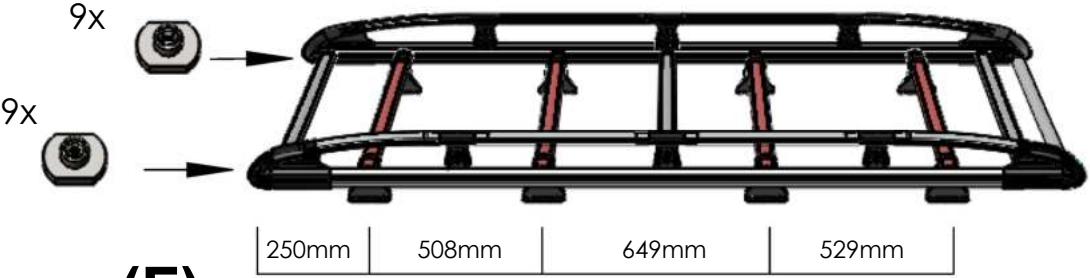



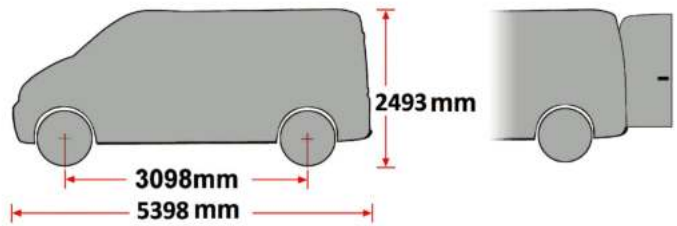
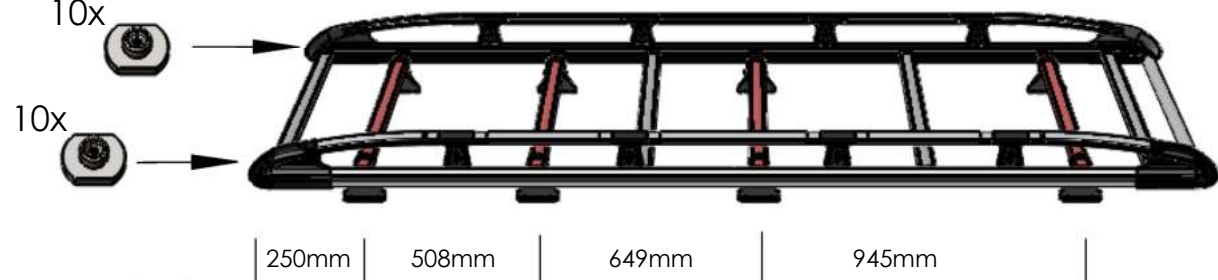








<h1>A633</h1>  <p>32kg + xx kg = Max. 200kg</p>	<h2>Vivaro/Traffic/Primastar 2014-L1, H2, TWIN DOORS</h2>  <p>3098mm 4998mm 2493mm</p>	 <p>9x 9x</p> <p>(F) (R)</p>
--	--	---

<h1>A634</h1>  <p>35kg + xx kg = Max. 200kg</p>	<h2>Vivaro/Traffic/Primastar 2014-L2, H2, TWIN DOORS</h2>  <p>3098mm 5398mm 2493mm</p>	 <p>10x 10x</p> <p>(F) (R)</p>
---	---	---

--	--	--

--	--	--



EXT09-004 x 8



MS168 x 8



PS095 x 8



PS089 x 1

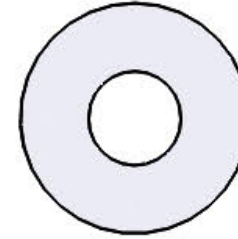


PS090 x 1



FB003 (M8 x 65) x 16

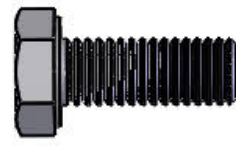
(1:1)



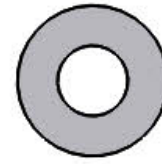
FW002 (M8) x 32



FN006 (M8) x 16



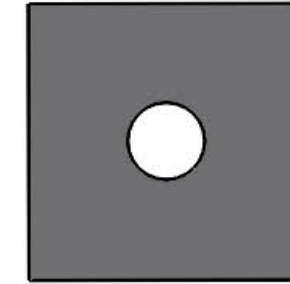
FS041 (M6 x 16) x 16



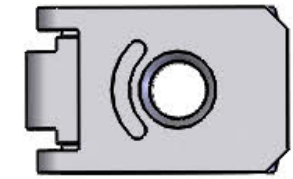
FW001 (M6) x 16



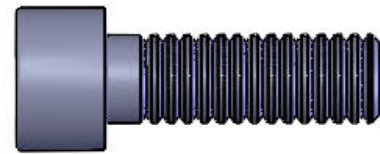
FW008(M6) x 16



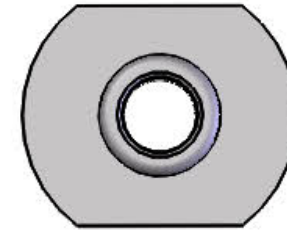
PS024(M6) x 16



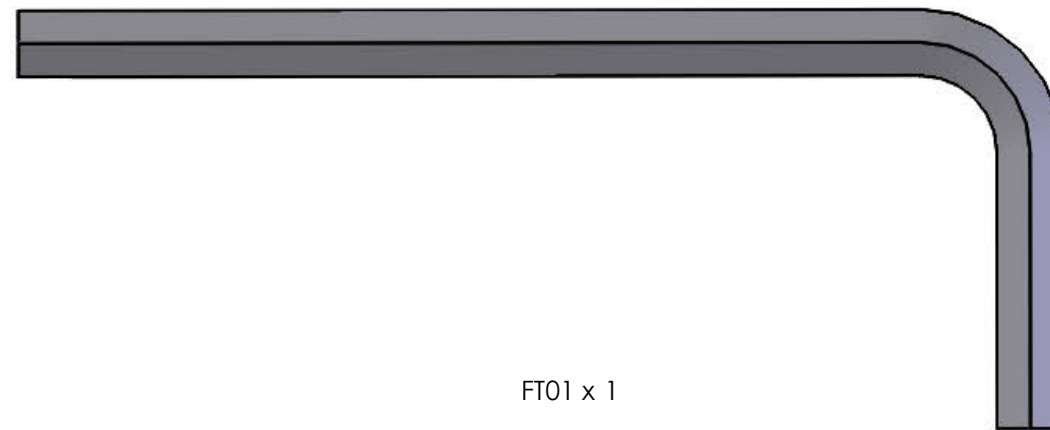
FN020(M6) x 16



FS059 (M8 x 25) x 20



FN023 (M8) x 20



FT01 x 1

