
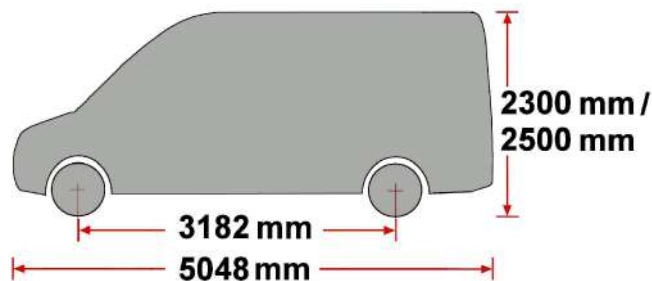
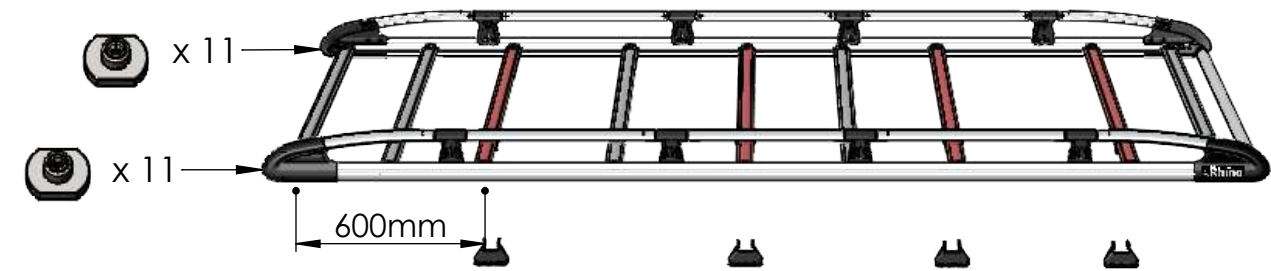

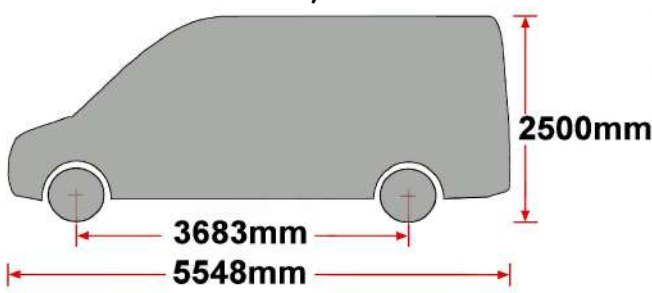
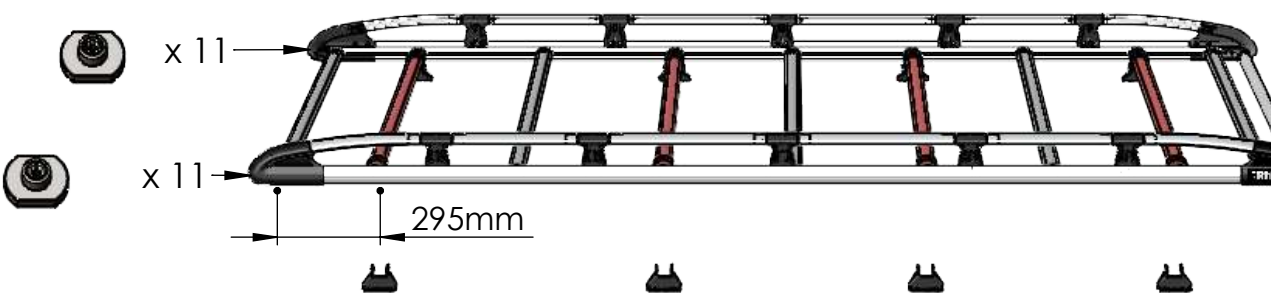


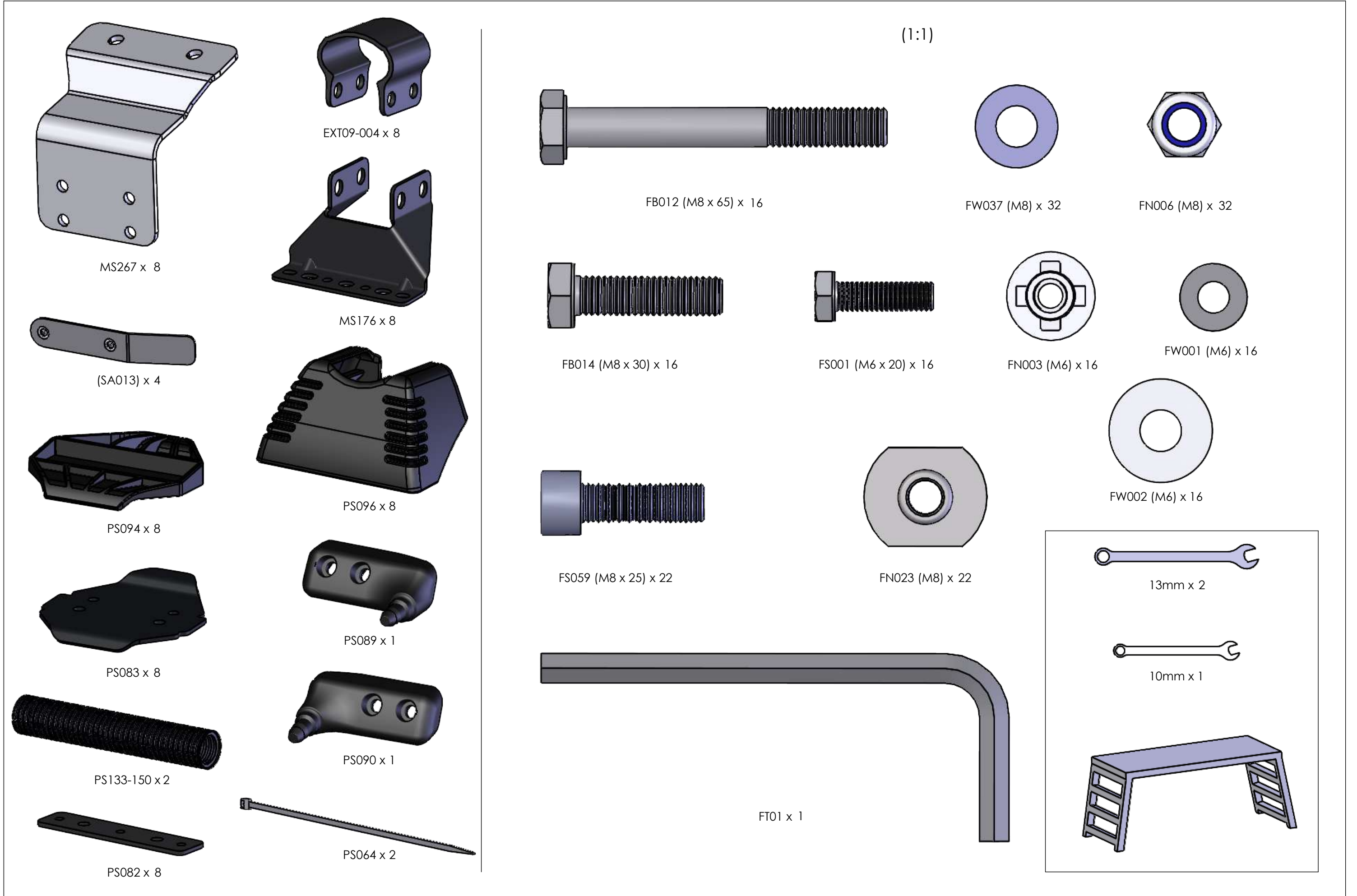
ALUMINIUM RACK - TYPE DESIGNATION FORM I

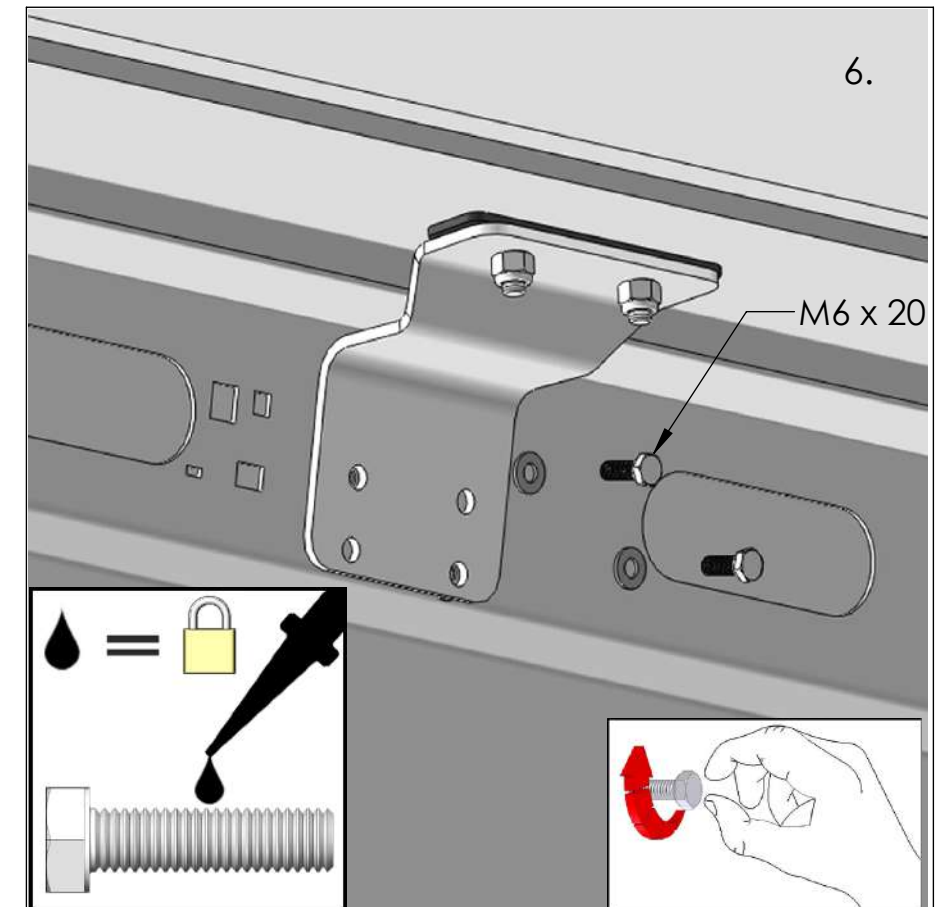
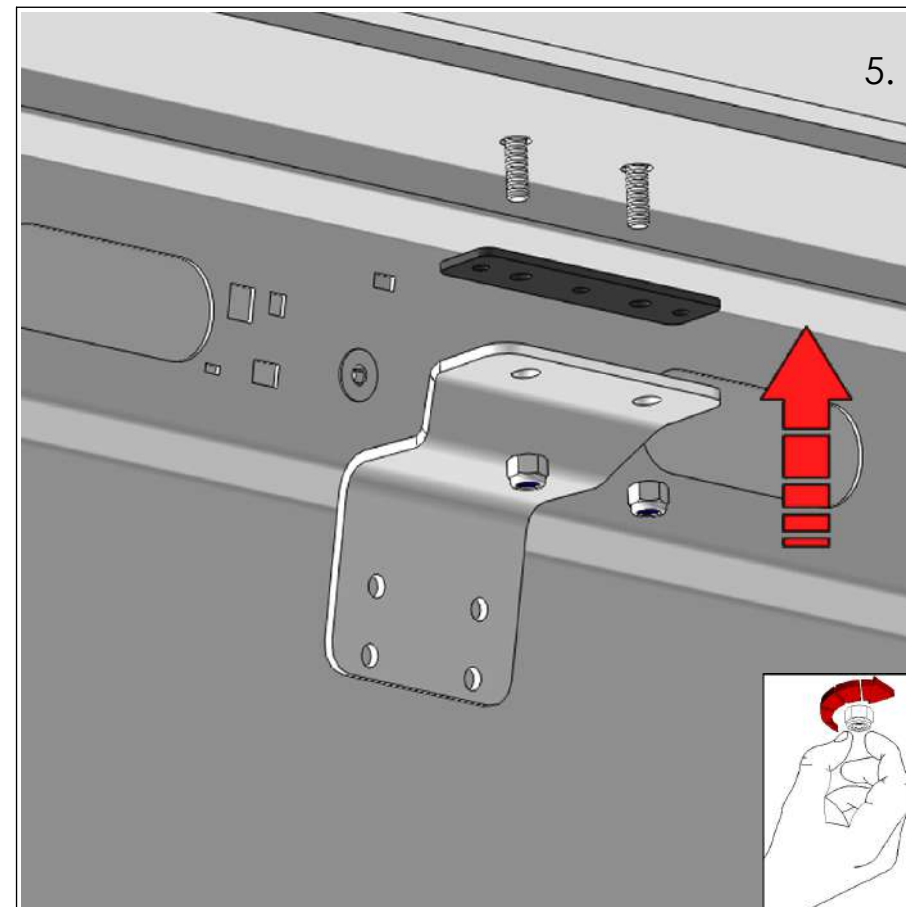
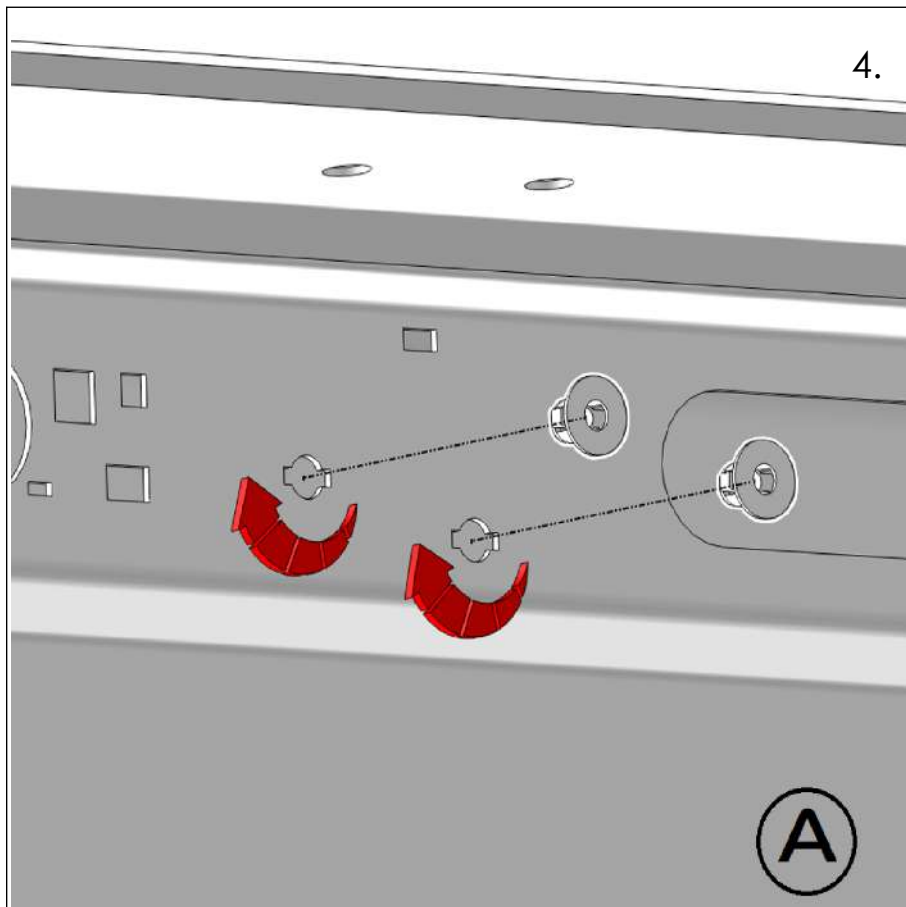
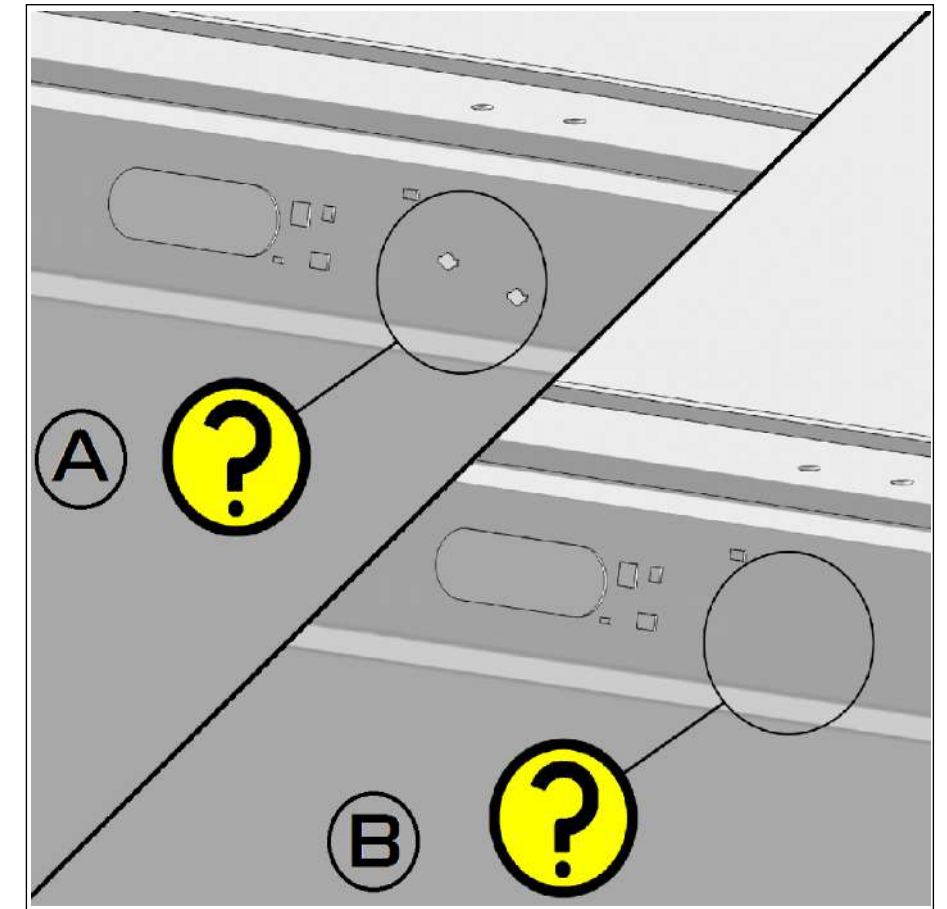
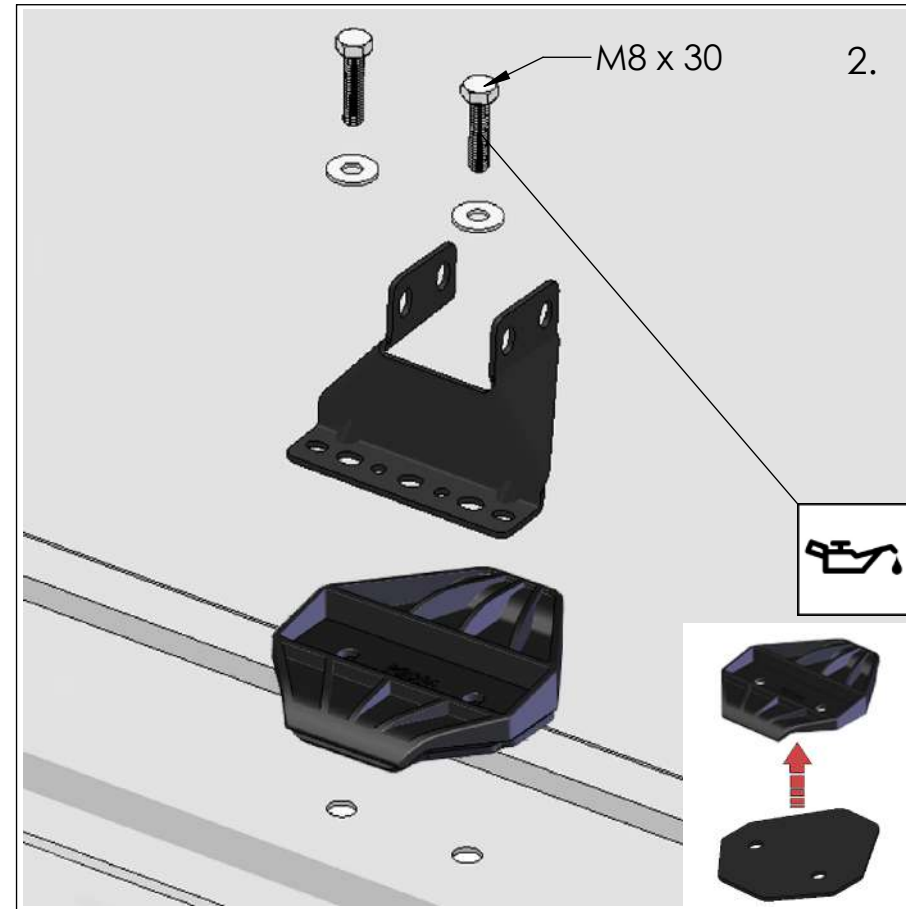
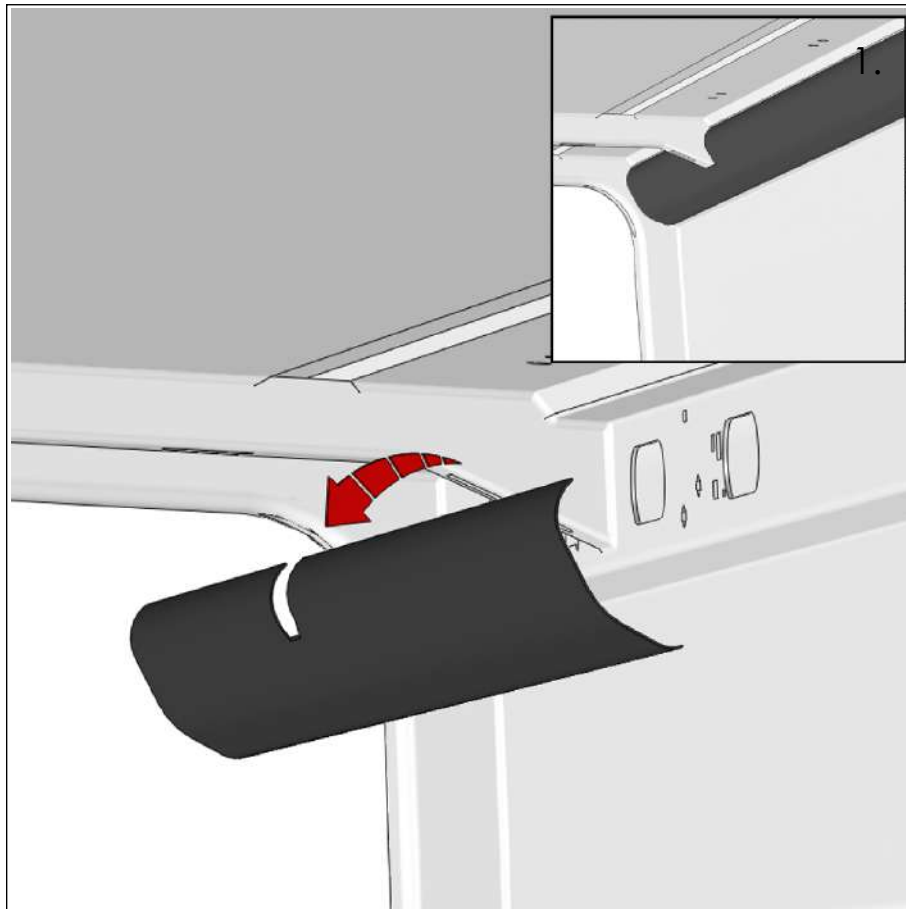
<h1>AH604</h1>  <p>40kg + xx kg = Max. 150kg</p>	<p><b>MASTER/MOVANO/NV400 2010-L1, H2</b></p>  <p>2300 mm / 2500 mm 3182 mm 5048 mm</p>	 <p>x 11 x 11 600mm</p>
-----------------------------------------------------------------------------------------------------------------------------------	-----------------------------------------------------------------------------------------------------------------------------------------------------------------------------------	--------------------------------------------------------------------------------------------------------------------

<h1>AH605</h1>  <p>42kg + xx kg = Max. 150kg</p>	<p><b>MASTER/MOVANO/NV400 2010-L2, H2</b></p>  <p>2500mm 3683mm 5548mm</p>	 <p>x 11 x 11 295mm</p>
------------------------------------------------------------------------------------------------------------------------------------	-----------------------------------------------------------------------------------------------------------------------------------------------------------------------	--------------------------------------------------------------------------------------------------------------------

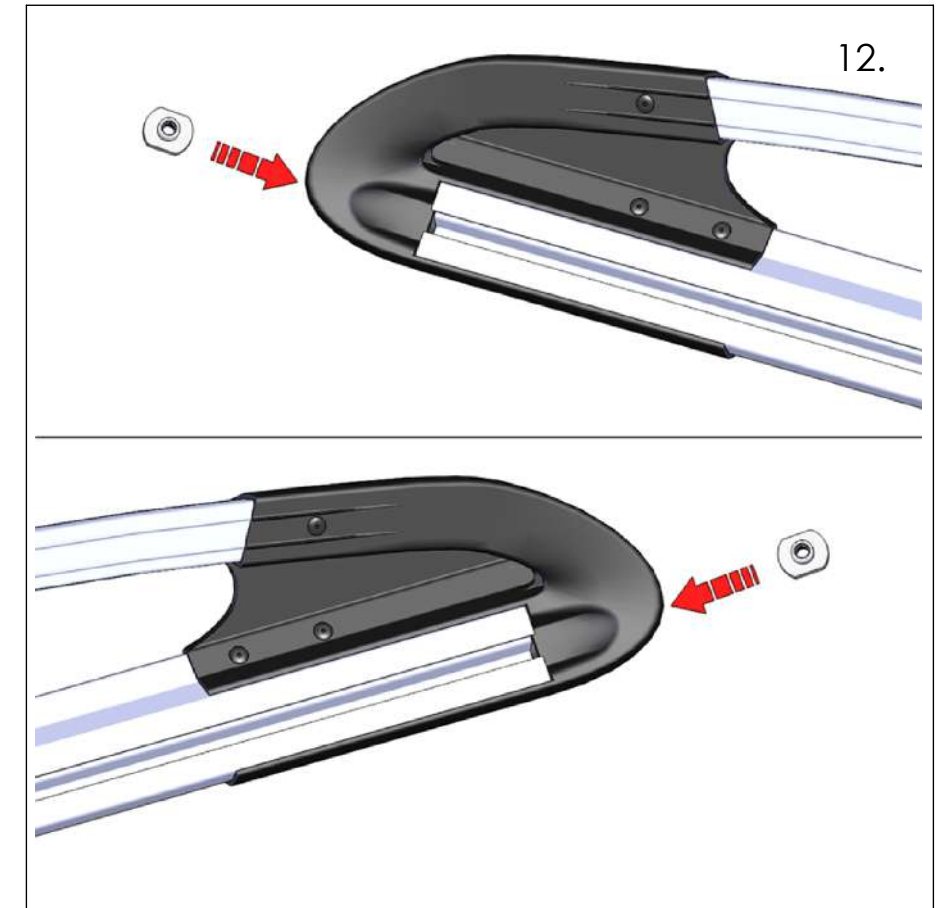
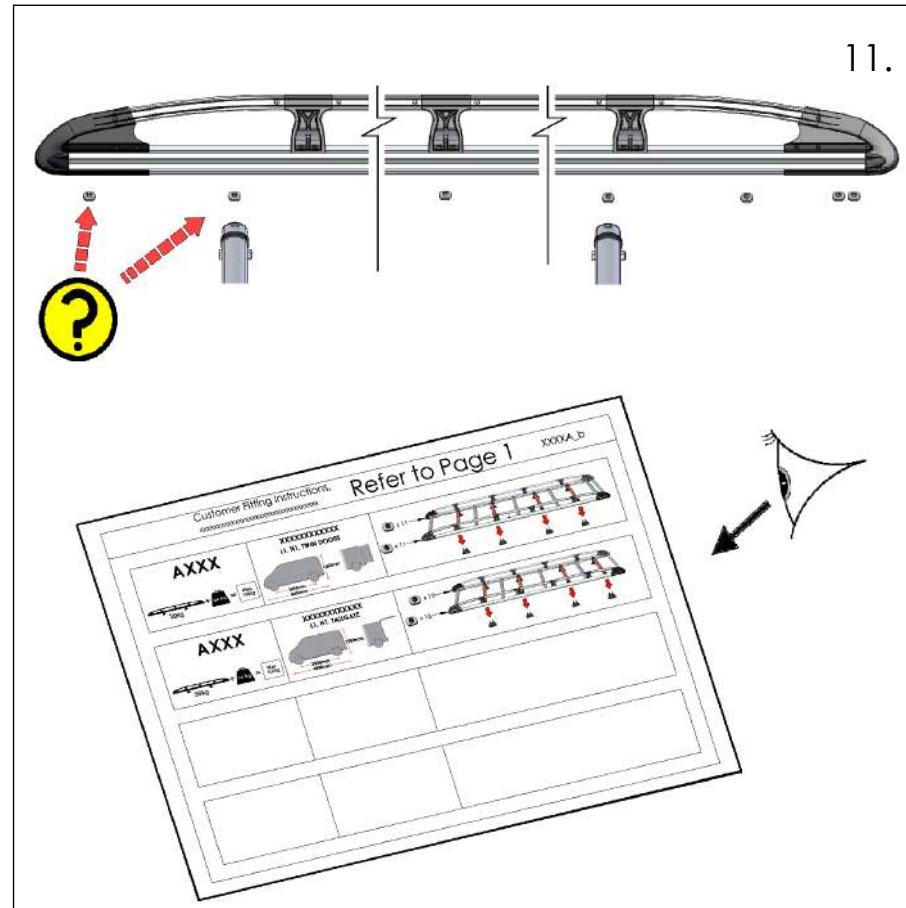
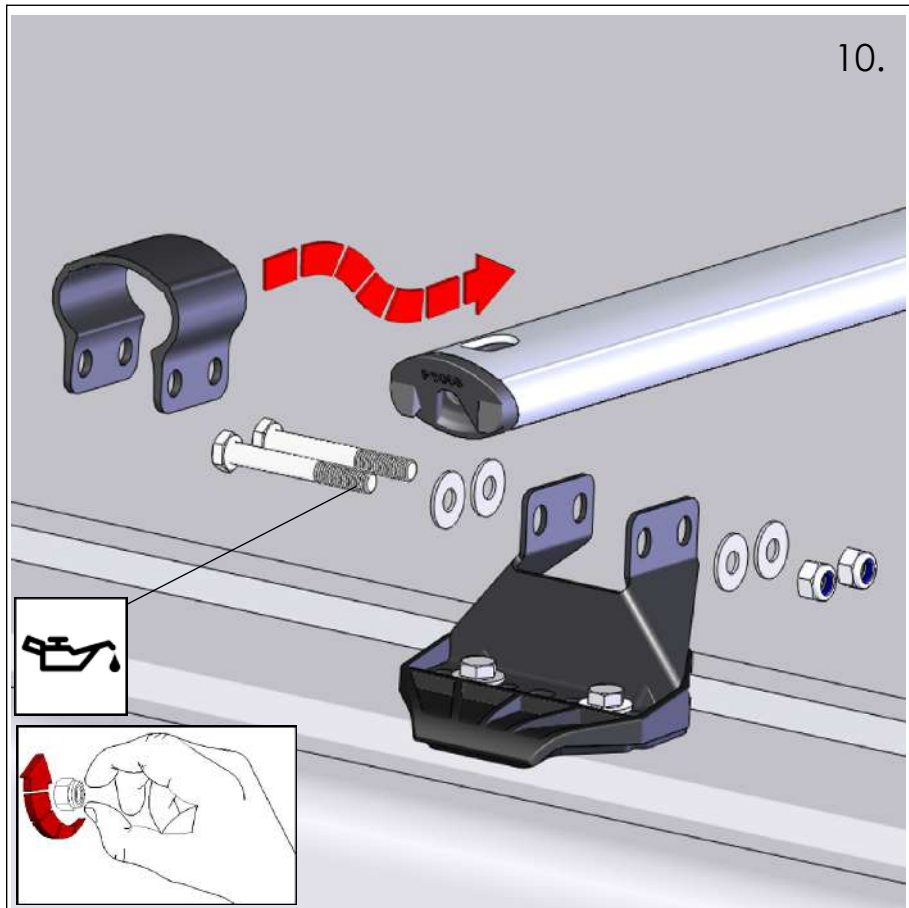
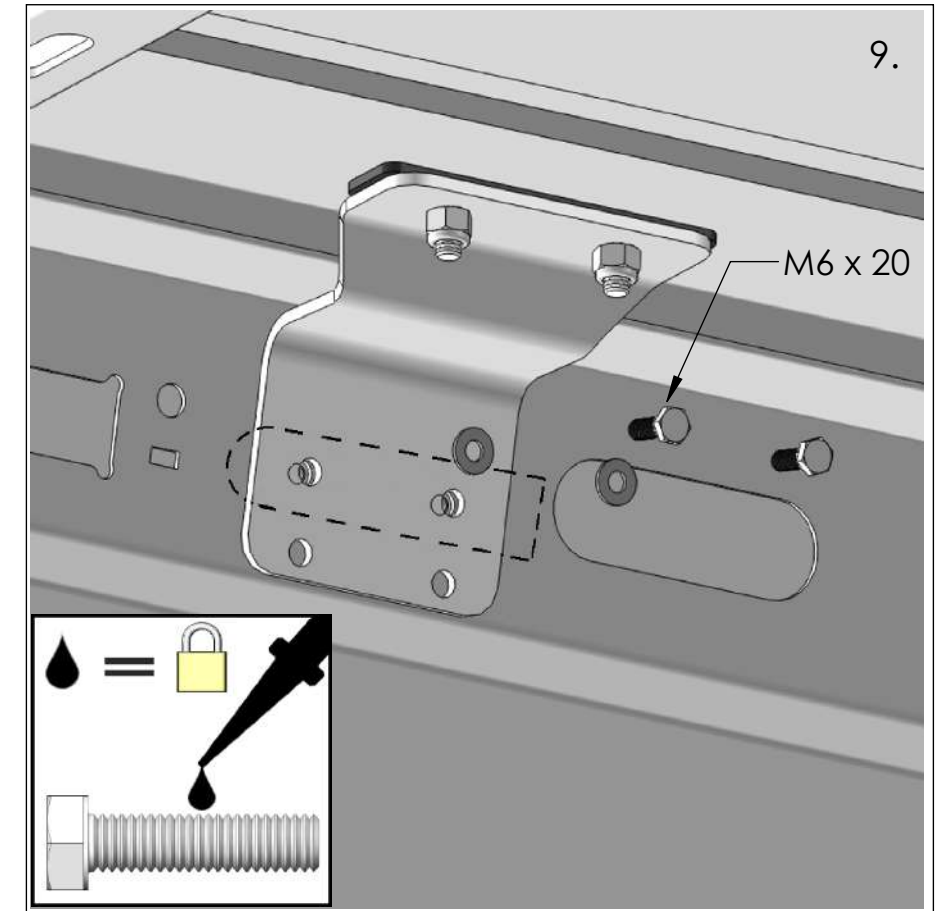
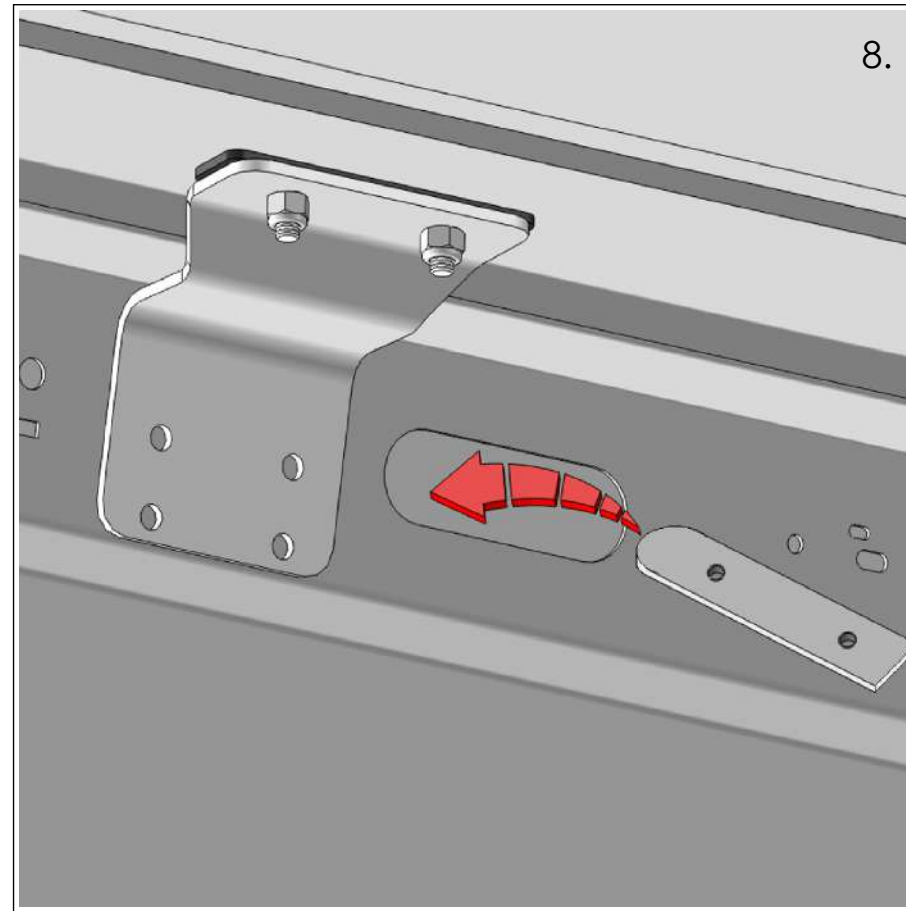
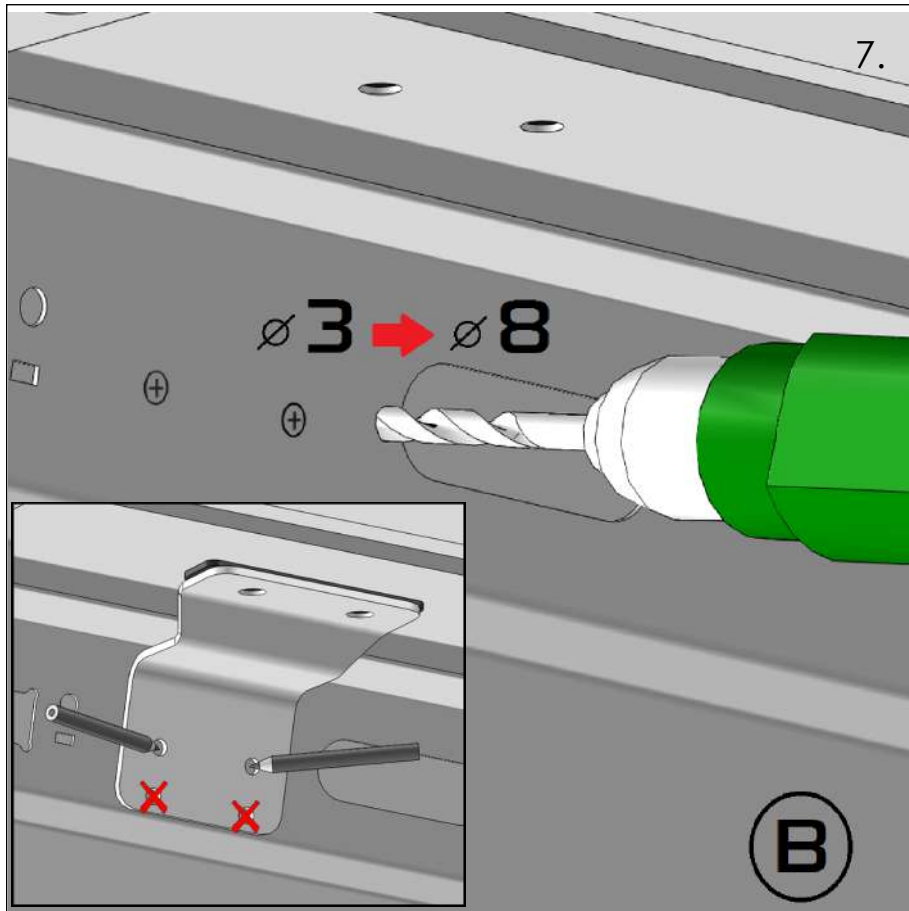
--	--	--

--	--	--

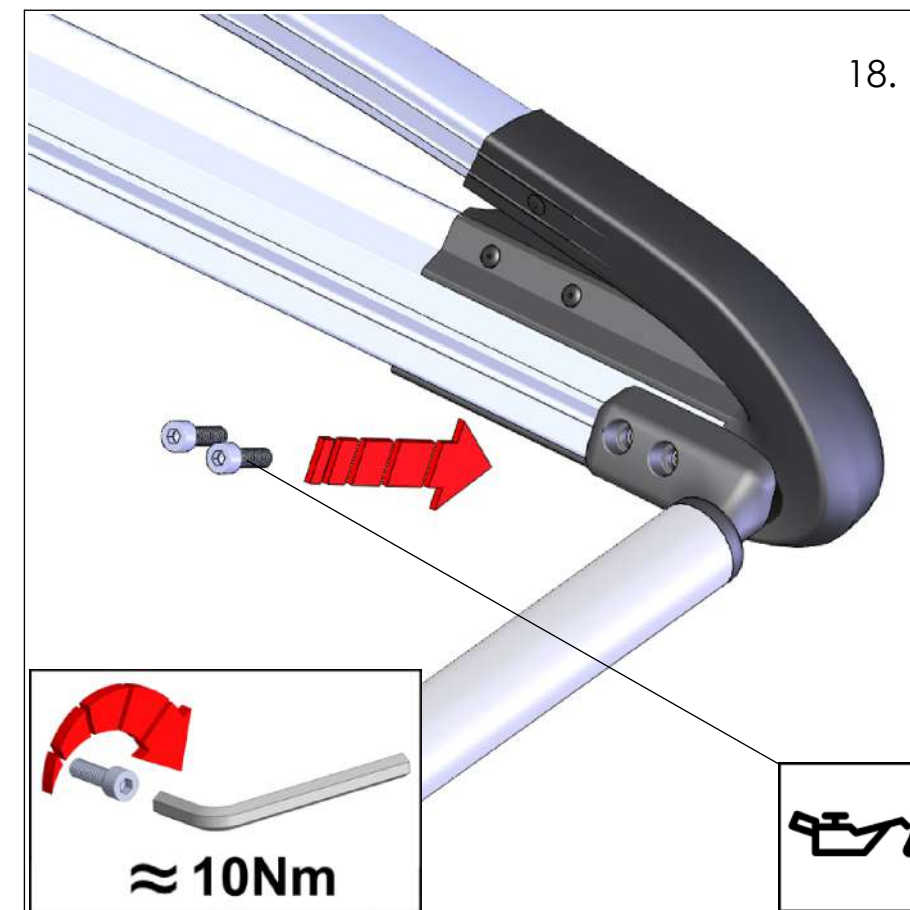
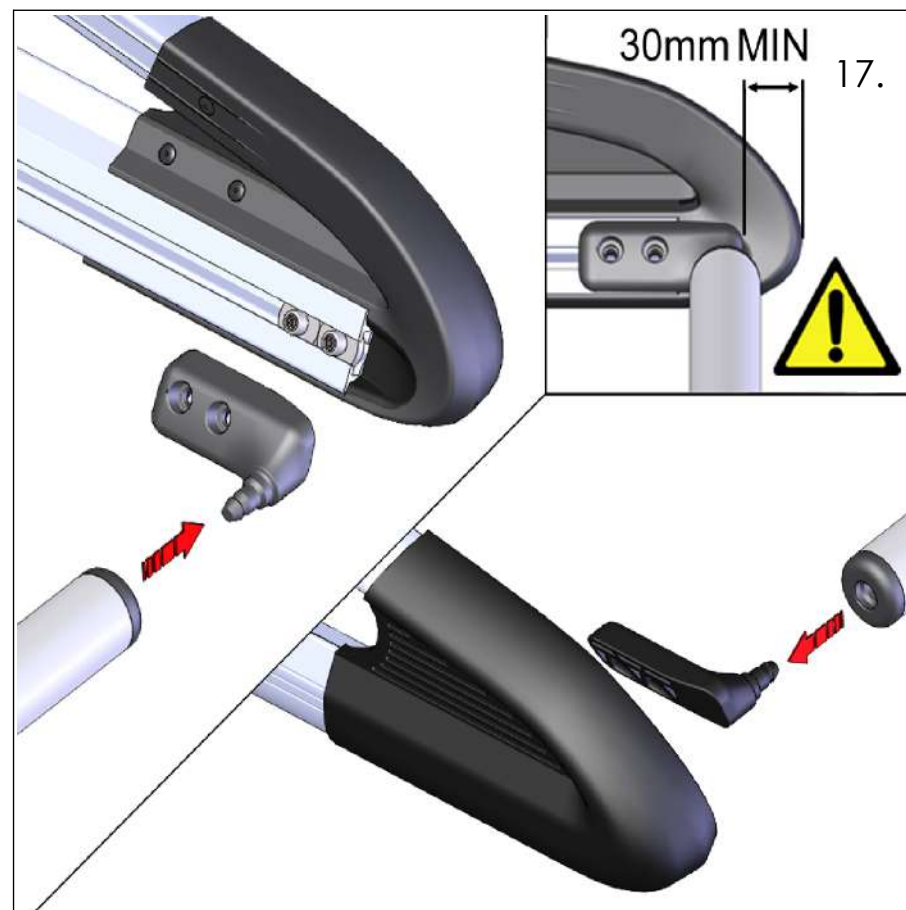
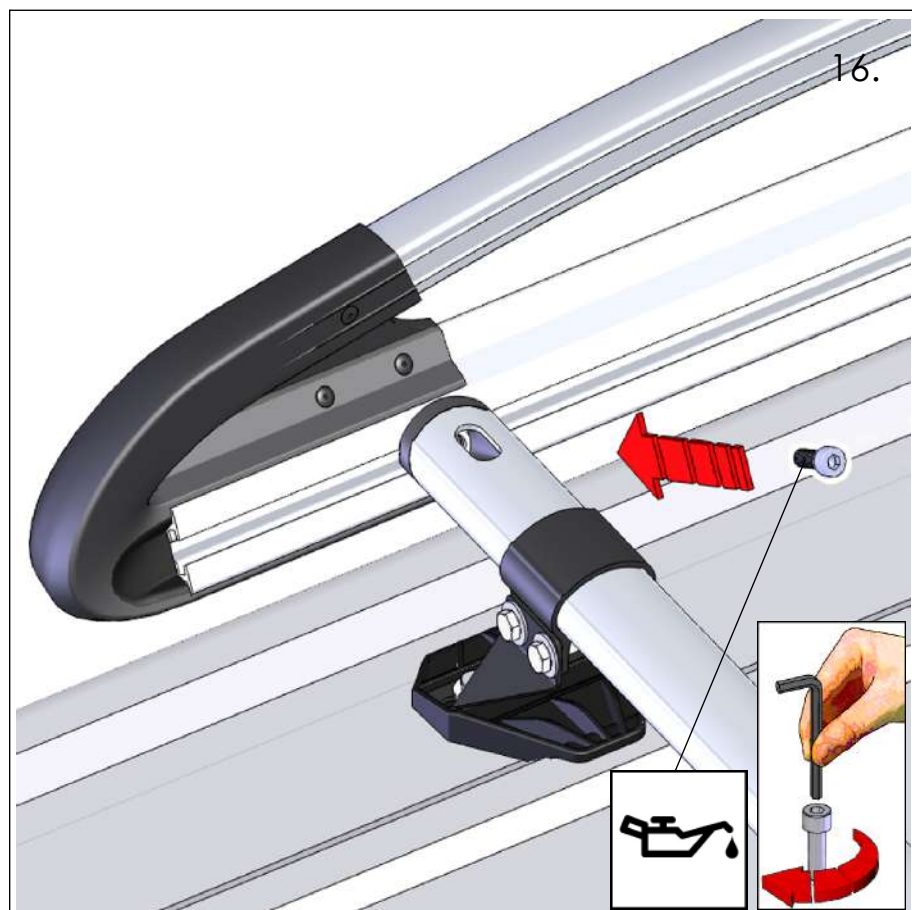
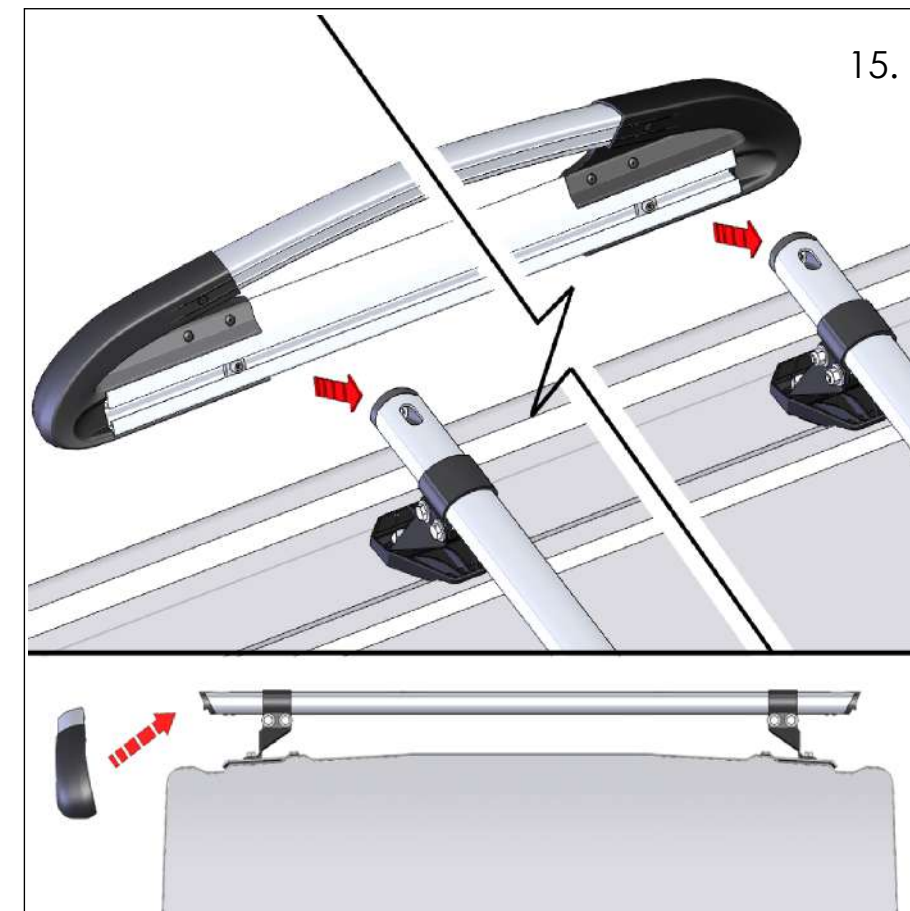
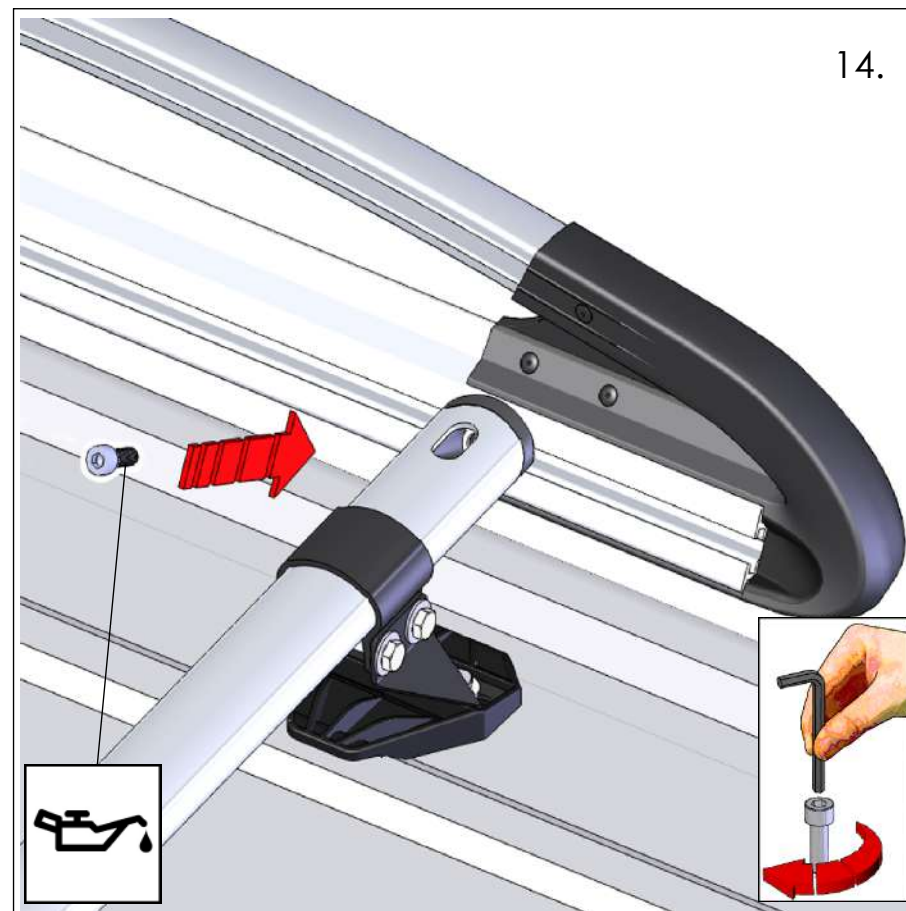
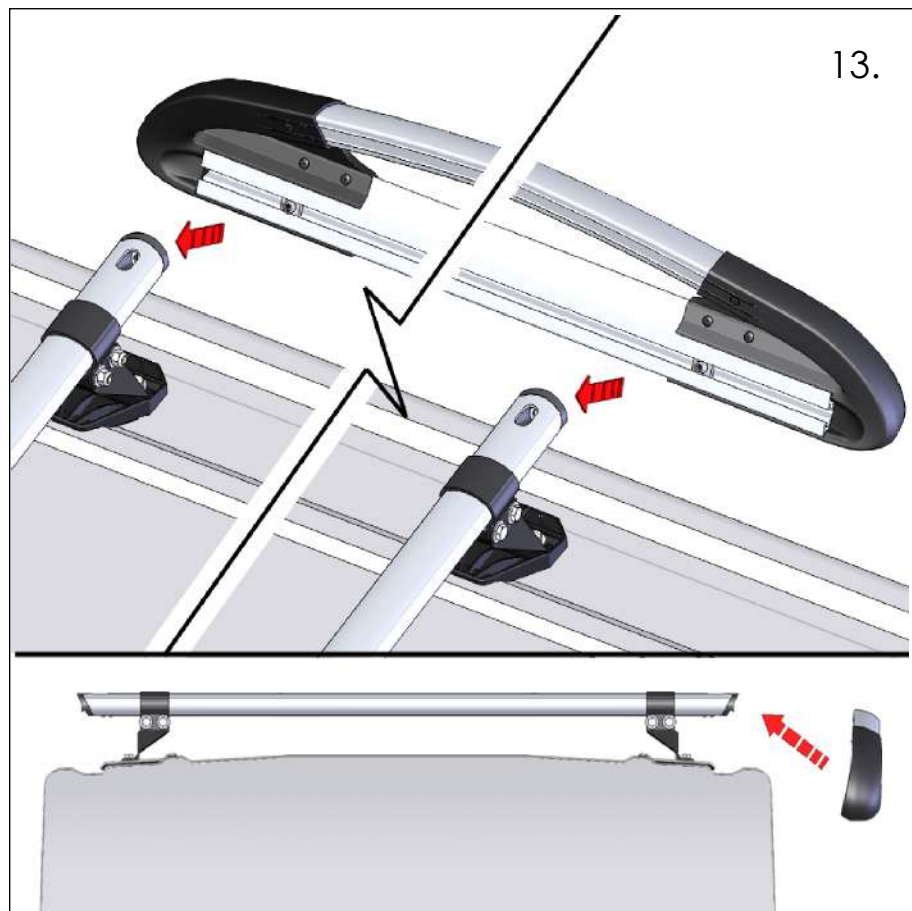




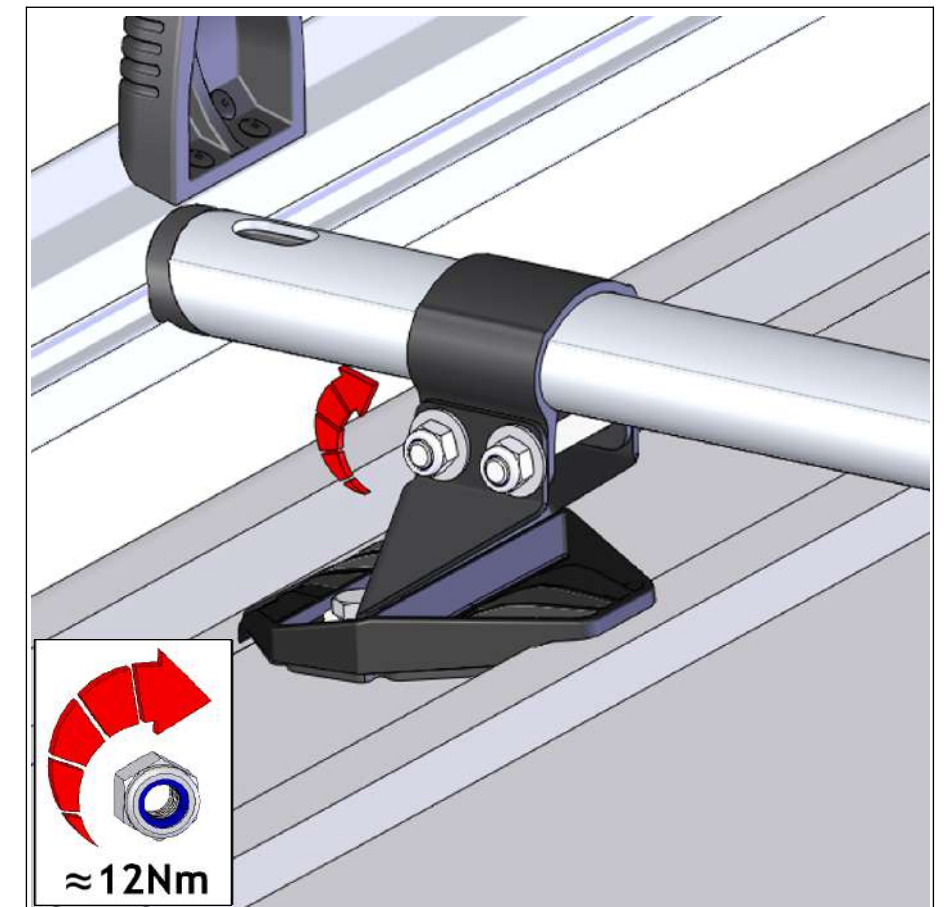
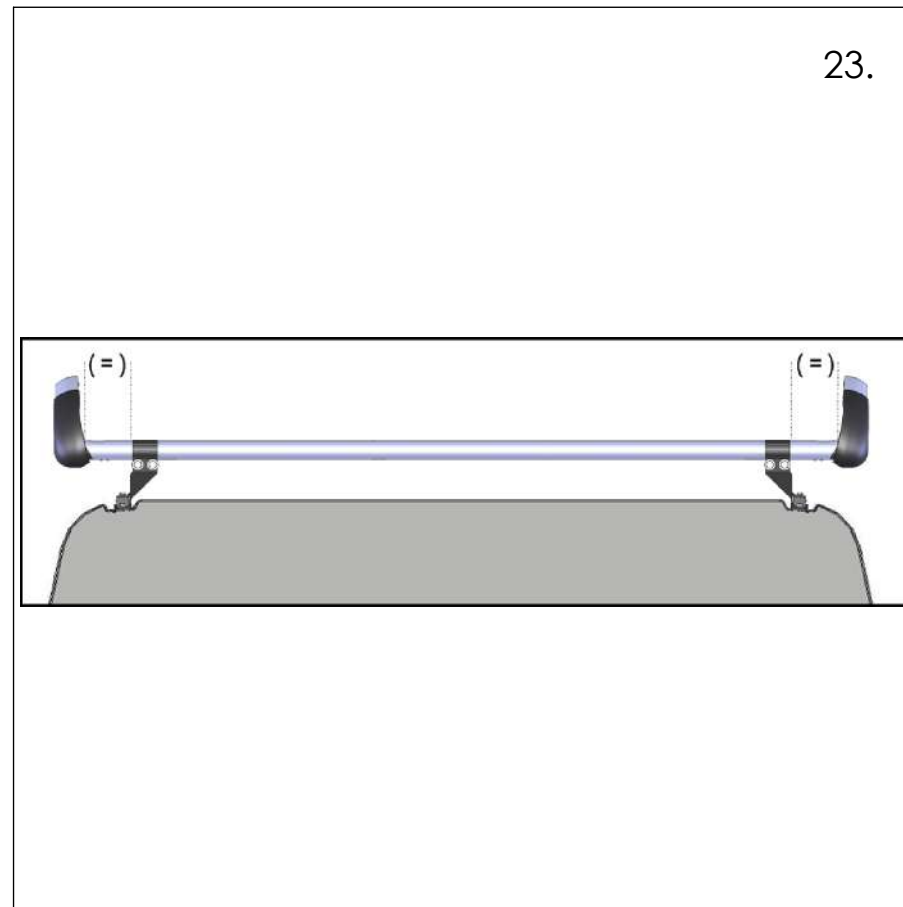
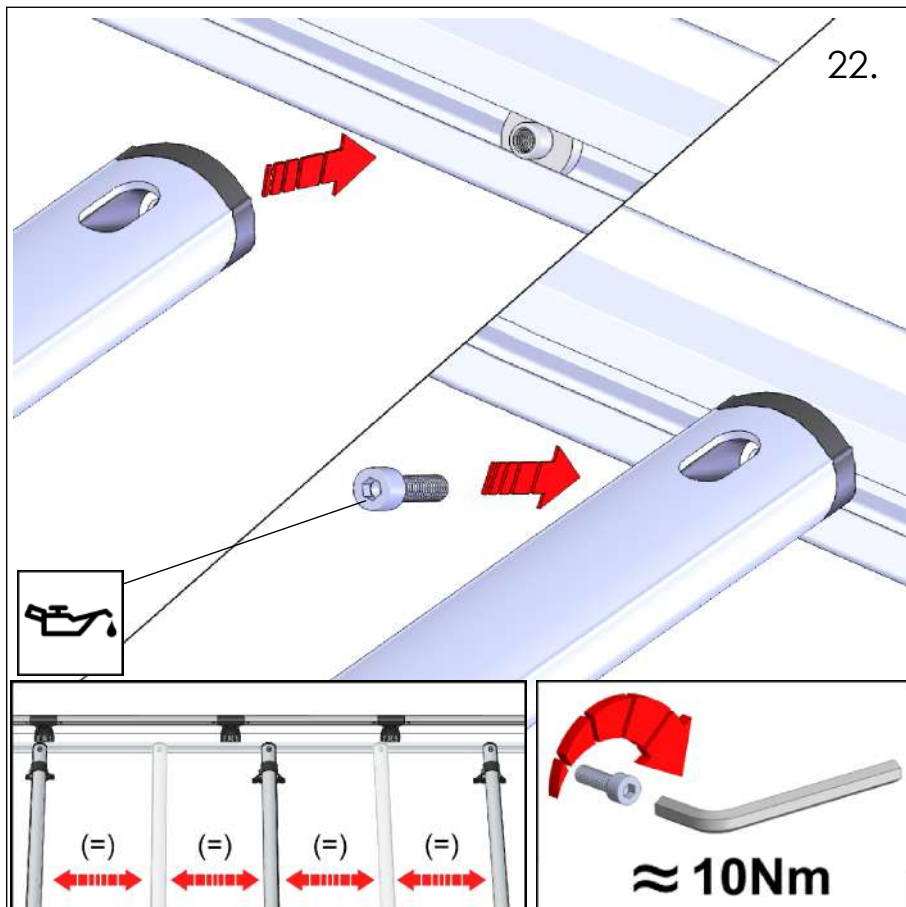
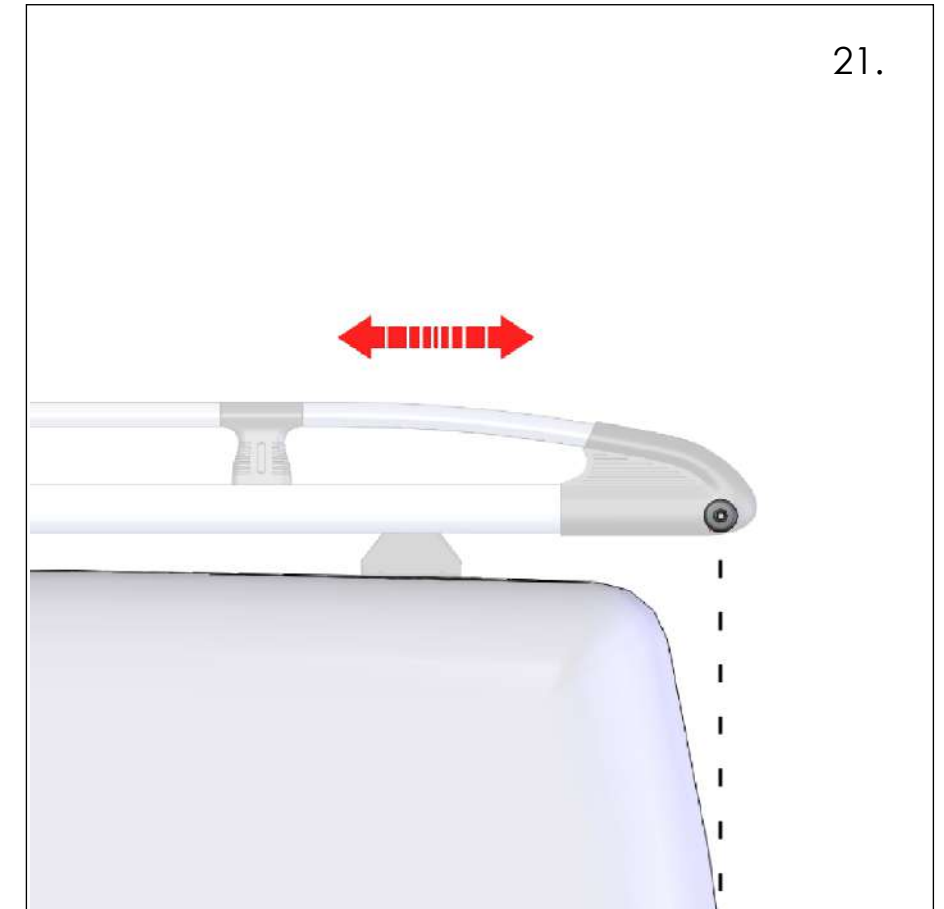
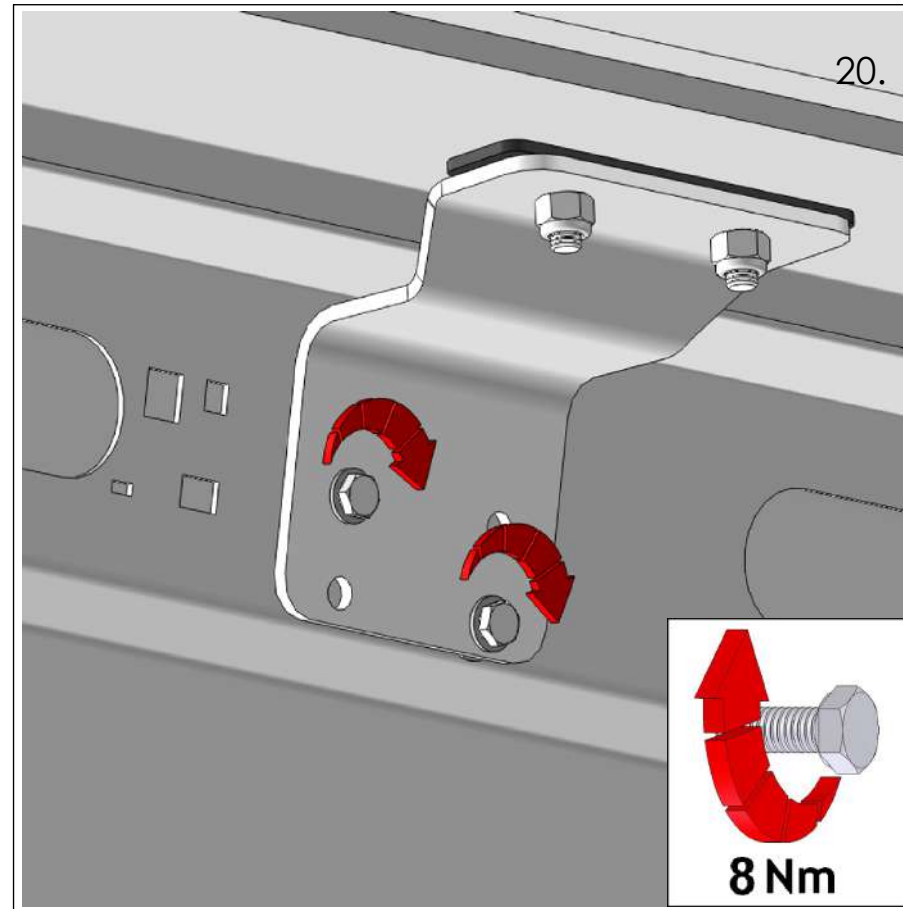
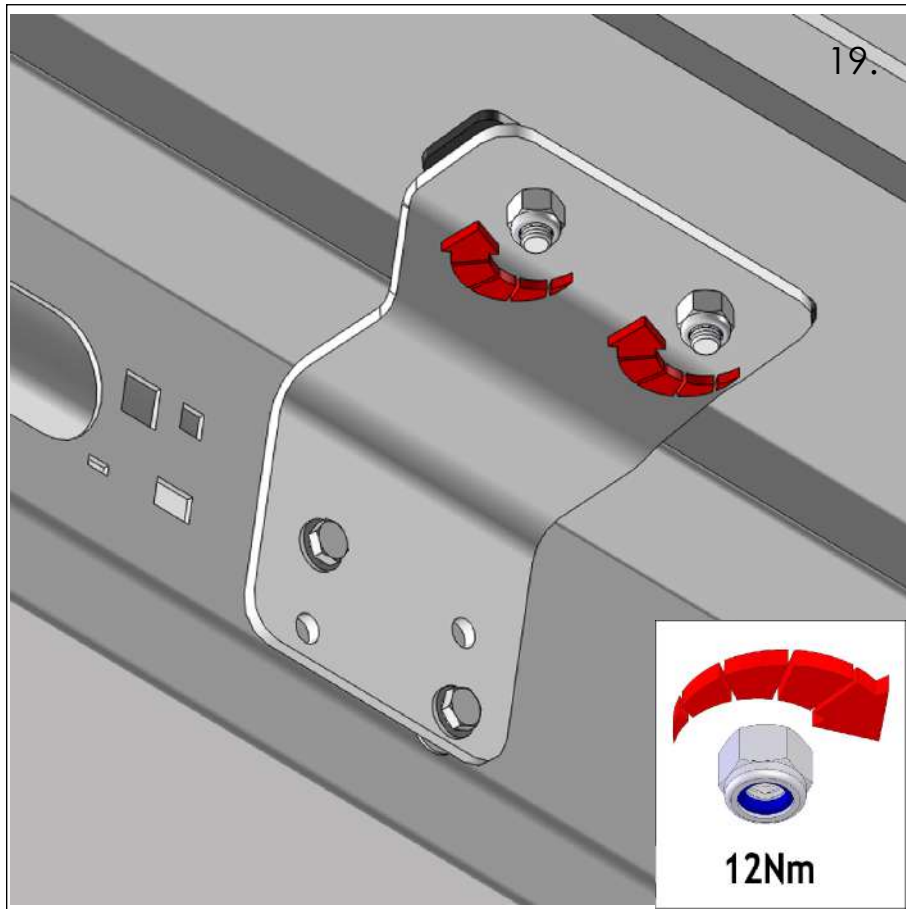


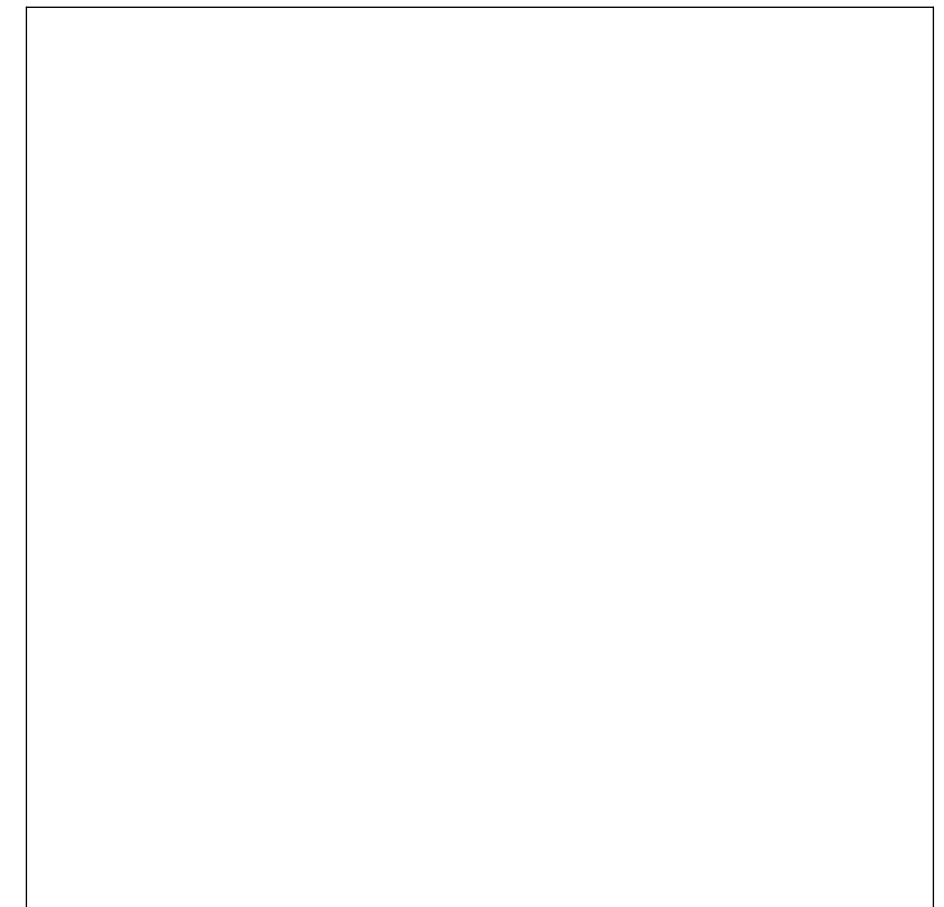
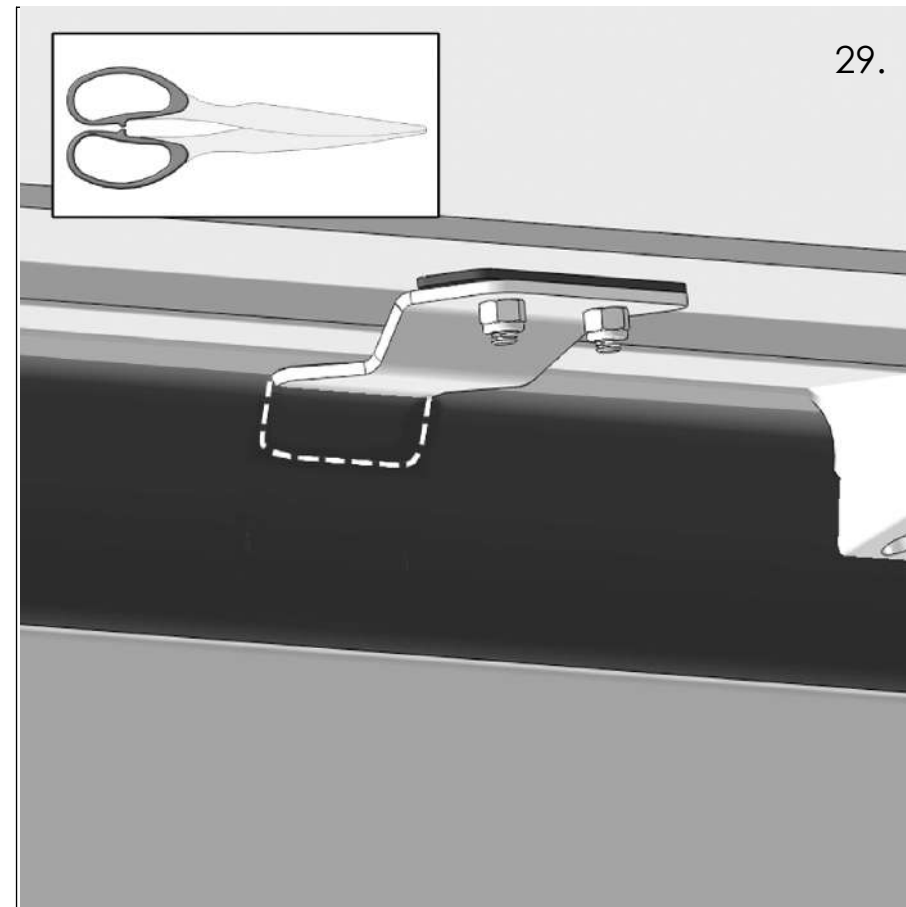
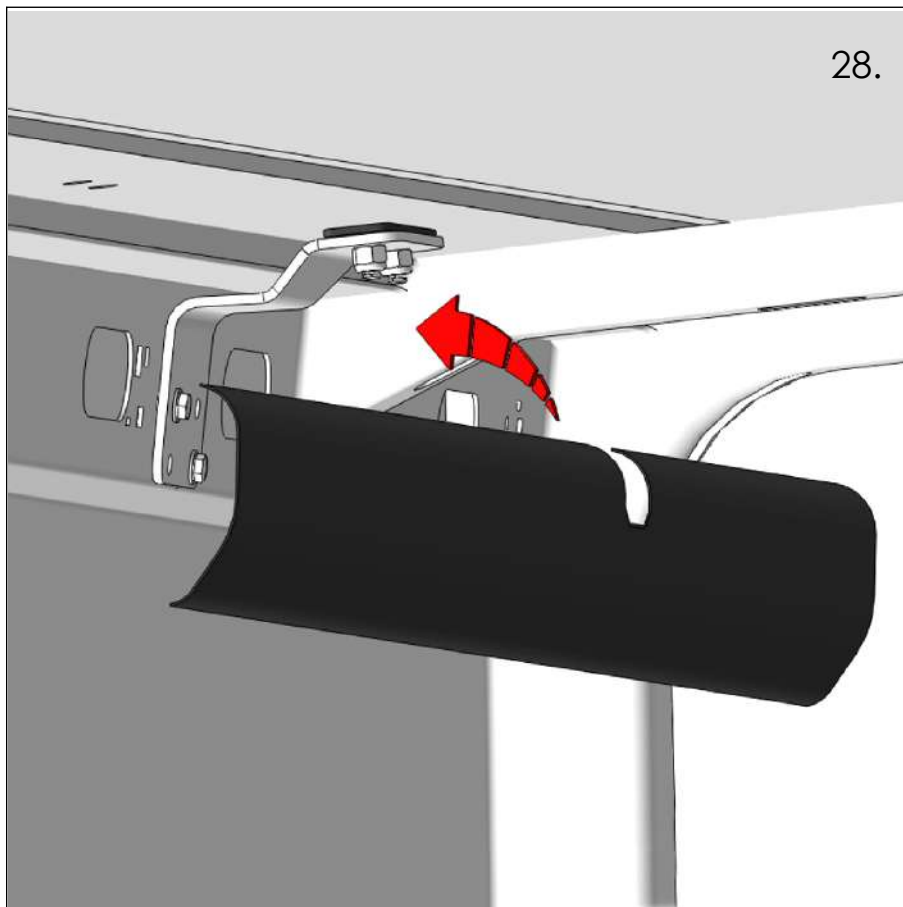
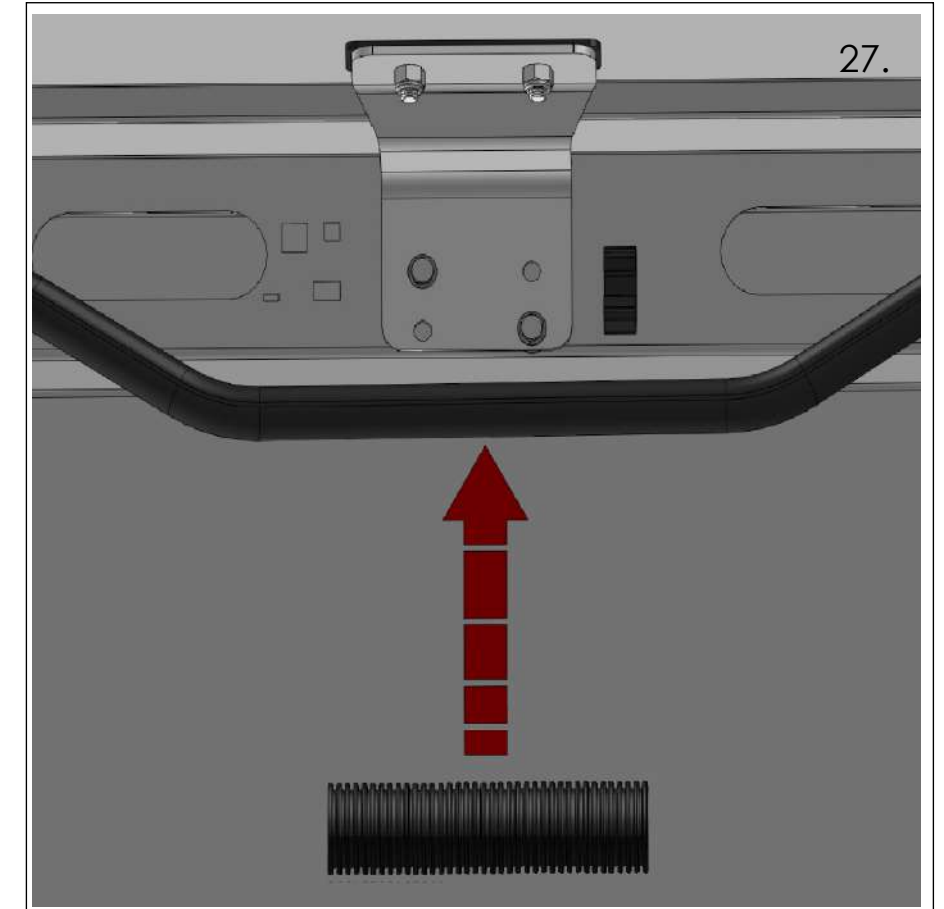
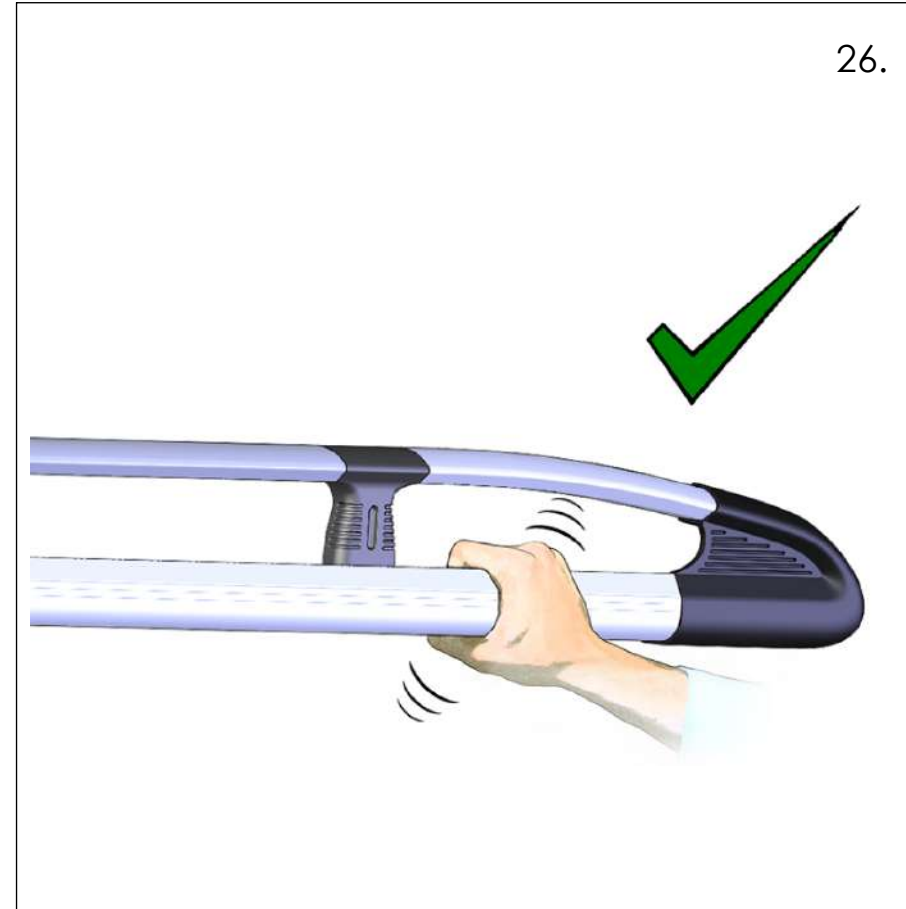




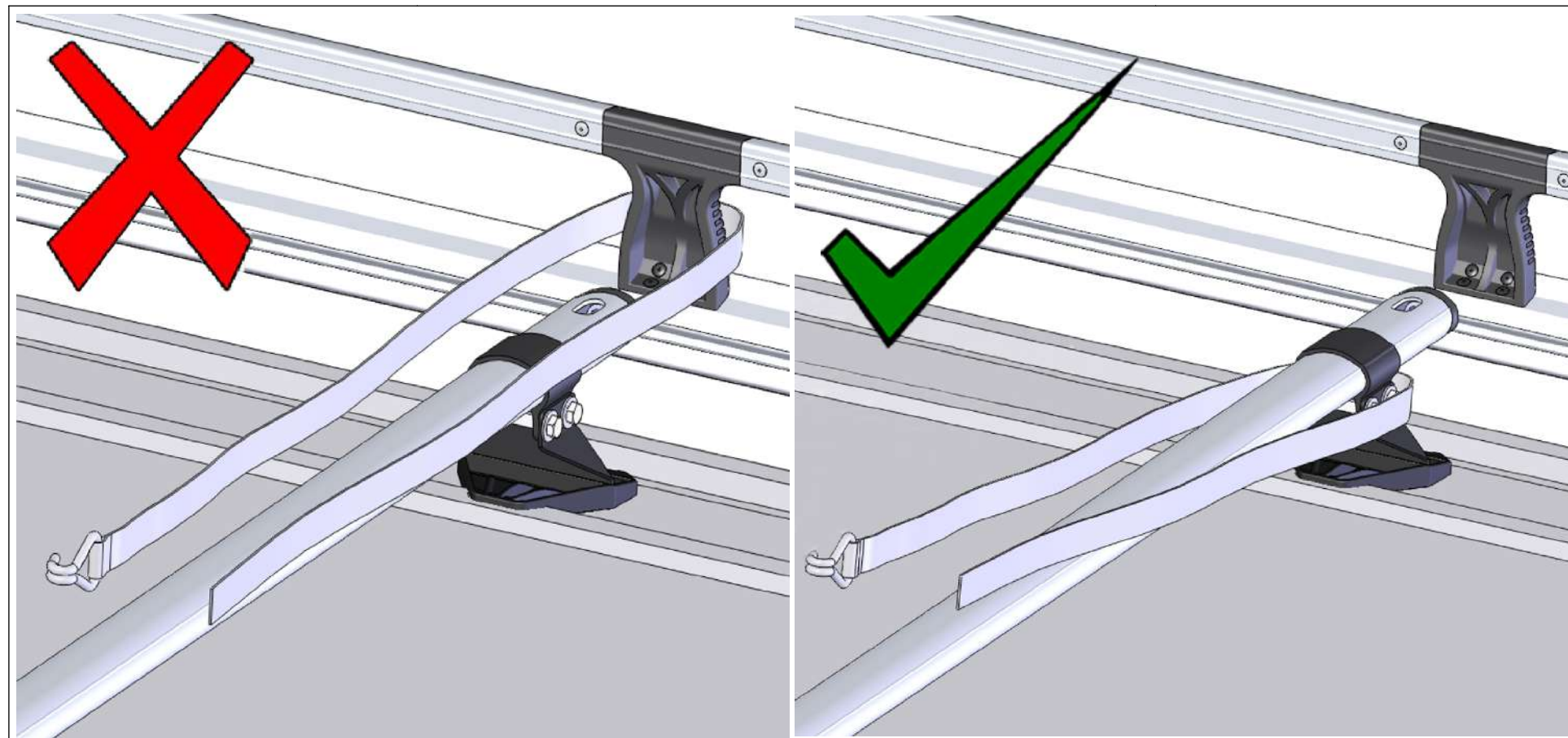
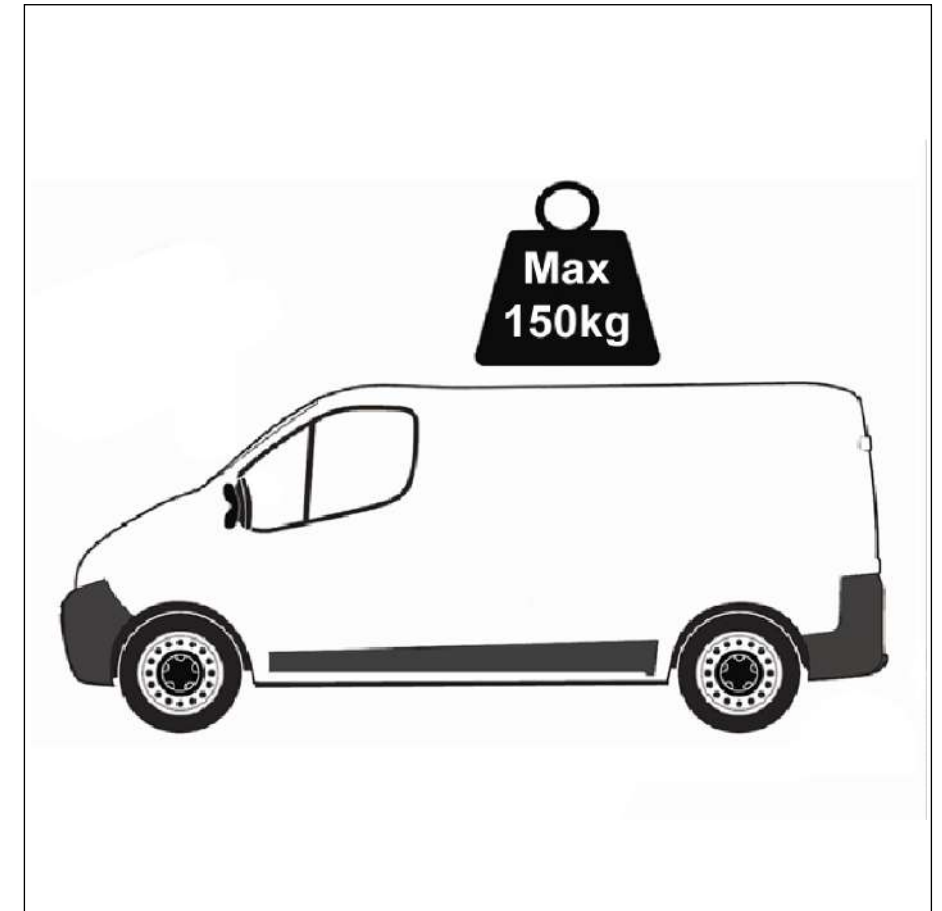
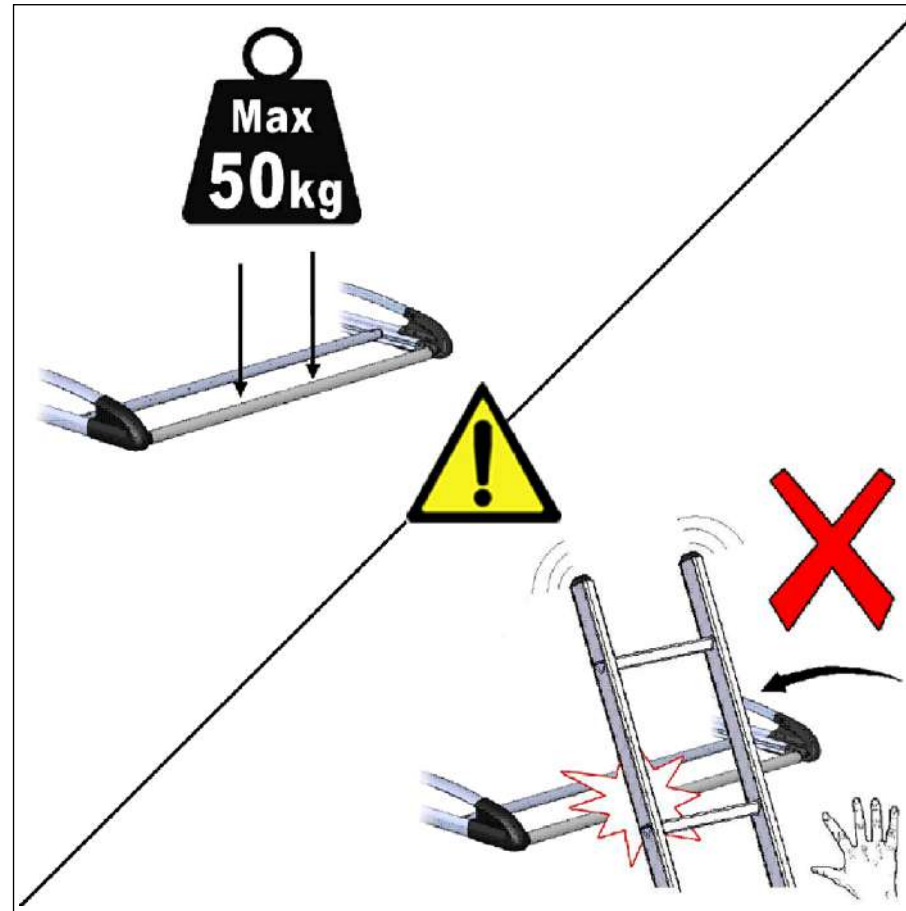
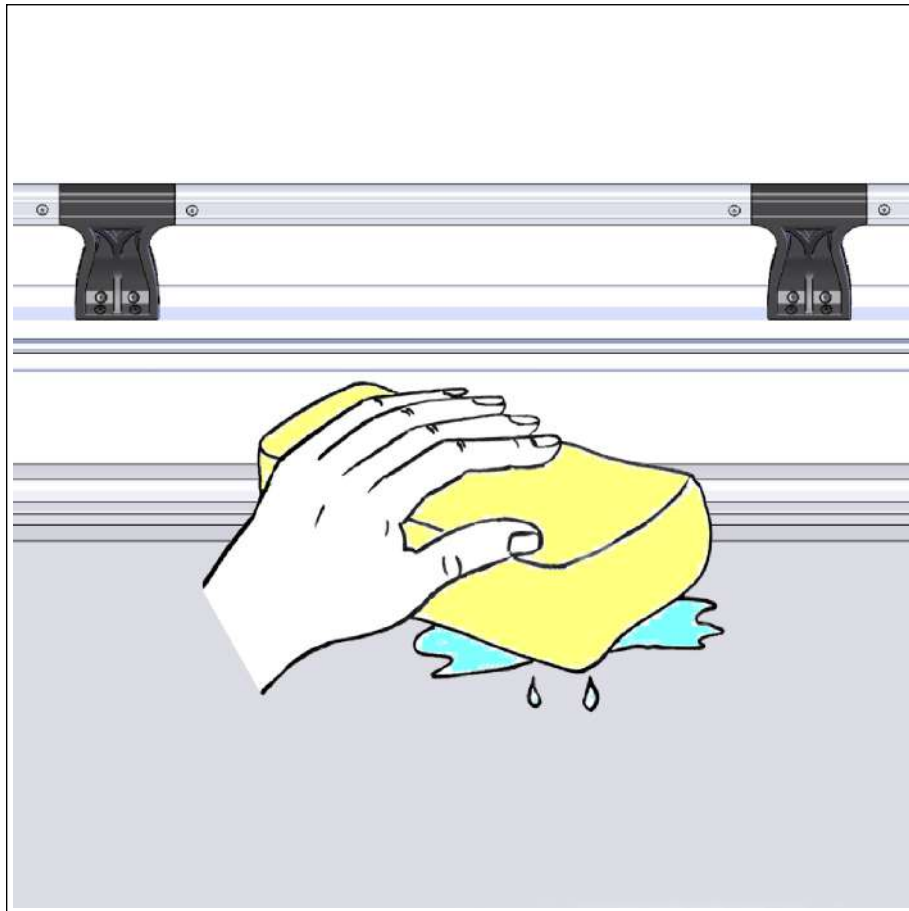







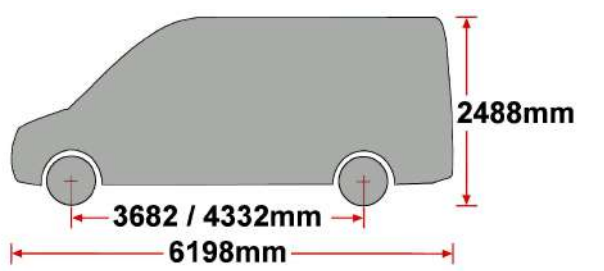
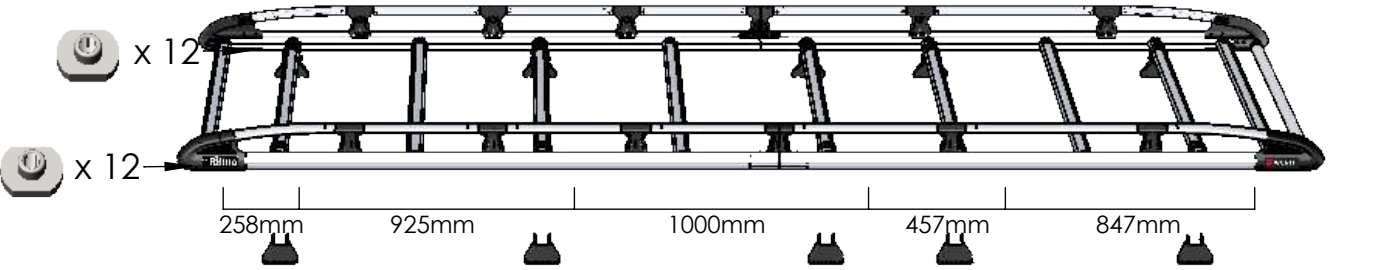



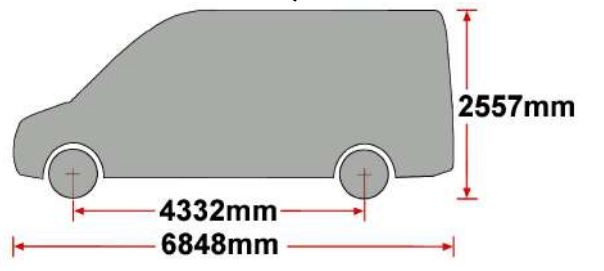
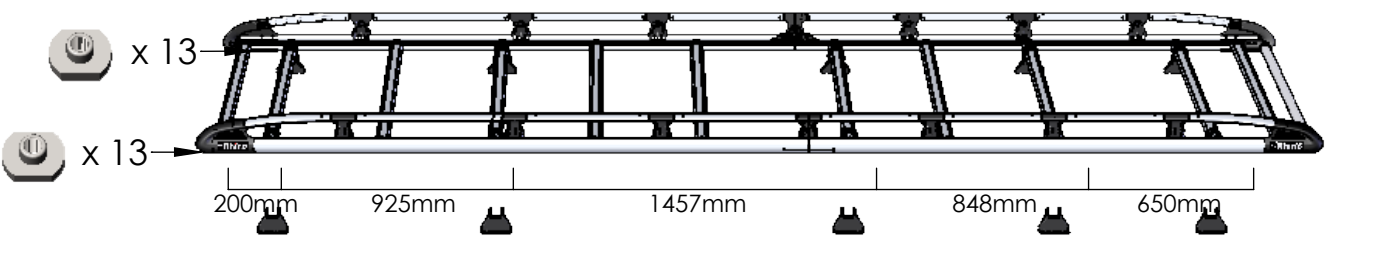






ALUMINIUM RACK - TYPE DESIGNATION FORM I

<p><b>AH606</b></p>  <p>49kg + xx kg = Max. 150kg</p>	<p><b>MASTER/MOVANO/NV400 2010-L3, H2</b></p>  <p>3682 / 4332mm 6198mm 2488mm</p>	<p>AMP20 + AMP18 = 3.8m</p>  <p>x 12 x 12</p> <p>258mm 925mm 1000mm 457mm 847mm</p>
----------------------------------------------------------------------------------------------------------------------------------------	-----------------------------------------------------------------------------------------------------------------------------------------------------------------------------	----------------------------------------------------------------------------------------------------------------------------------------------------------------------------

<p><b>AH607</b></p>  <p>55kg + xx kg = Max. 150kg</p>	<p><b>MASTER/MOVANO/NV400 2010-L4, H2</b></p>  <p>4332mm 6848mm 2557mm</p>	<p>AMP24 + AMP20 = 4.4m</p>  <p>x 13 x 13</p> <p>200mm 925mm 1457mm 848mm 650mm</p>
-----------------------------------------------------------------------------------------------------------------------------------------	-----------------------------------------------------------------------------------------------------------------------------------------------------------------------	-----------------------------------------------------------------------------------------------------------------------------------------------------------------------------

--	--	--

--	--	--

