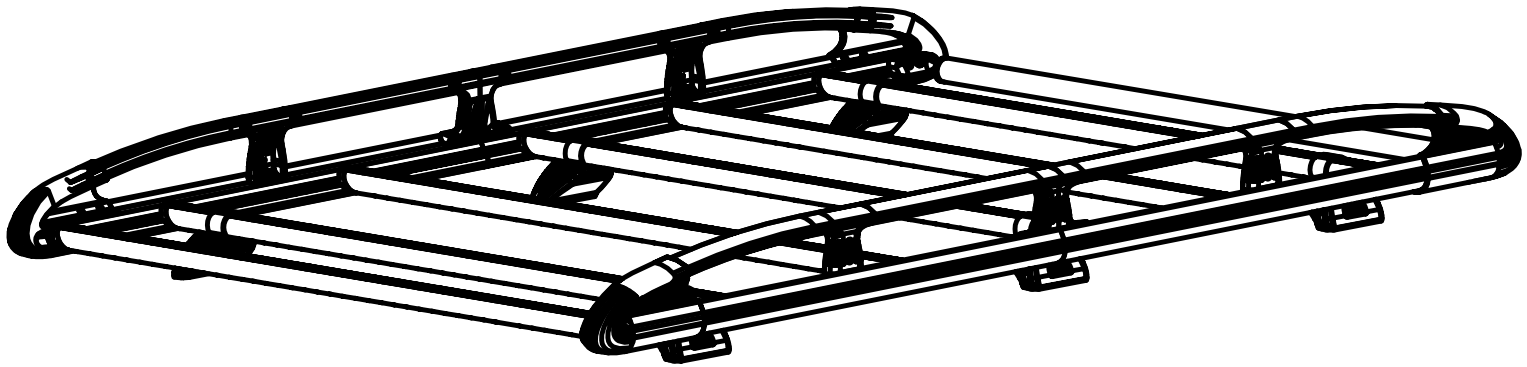


# IA3KR

# KammRack

## Instructions

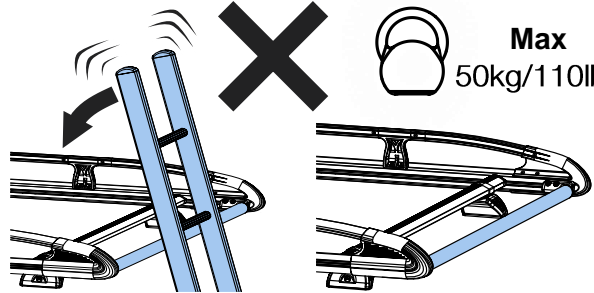
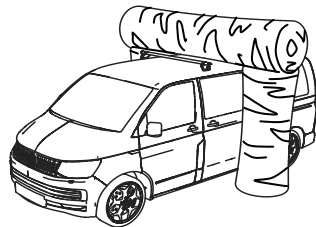
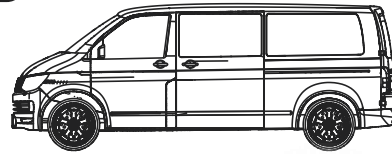


**CITY CRASH** (✓)

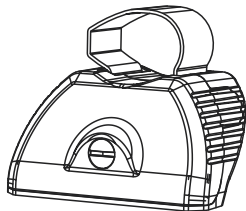
According to ISO/ PAS 11154:2006

**IA3KR:**

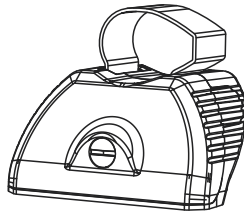
**CITROEN** Relay, 2006 – Onwards  
**PEUGEOT** Boxer, 2006 – Onwards  
**FIAT** Ducato, 2006 – Onwards  
**VAUXHALL** Movano 2020- Onwards



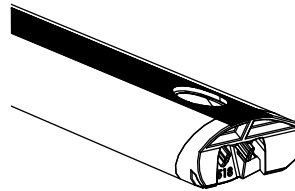
**KammRack**



**SA397U x 3**



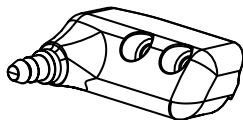
**SA398U x 3**



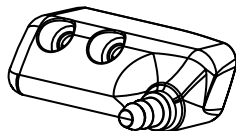
**SA431/  
SA469**



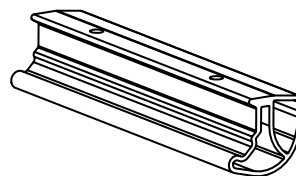
**C04 x 6**  
\*optional upgrade\*



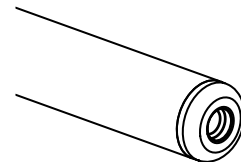
**PS519 x 1**



**PS520 x 1**



**EXT15-02 x 4**

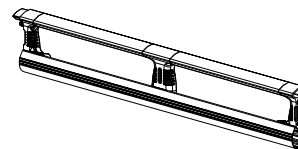
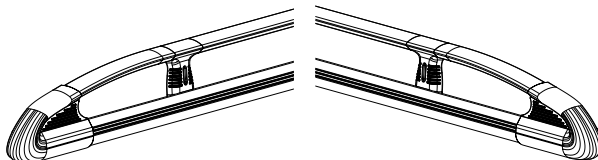


**SA439 x 1**

**LHS x 2**

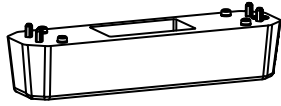
**RHS x 2**

**Centre x 2**

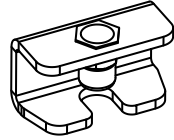


**ASF x 1**

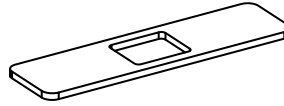
## Fitting Kit



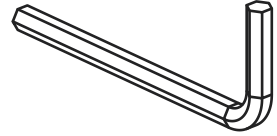
PS180 x 6



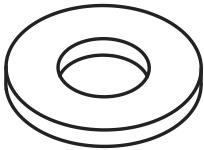
SA068 x 6



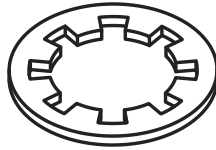
PS047 x 6



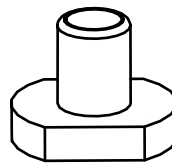
FT01 x 1



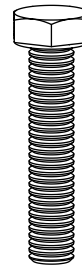
FW002 (M8) x 6



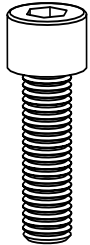
FW009 (M8) x 6



FN085 x 18



FS067   
(M8 x 20) x 6

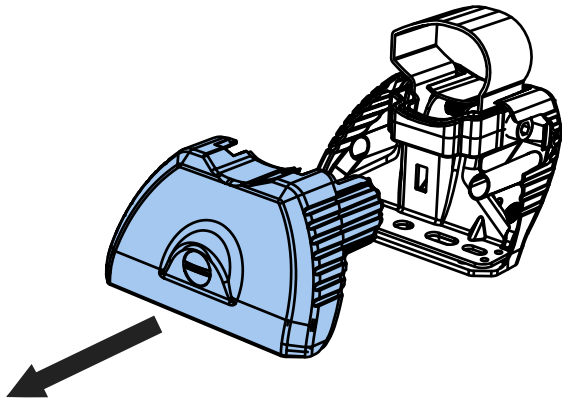


FS059  (M8  
x 25) x 18

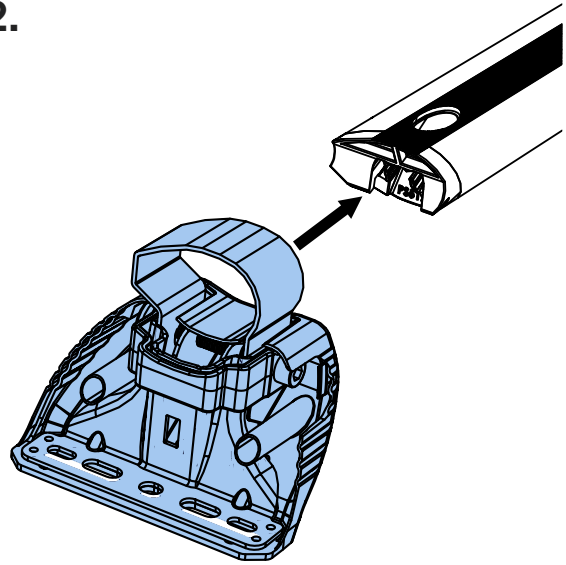


FT05 x 1

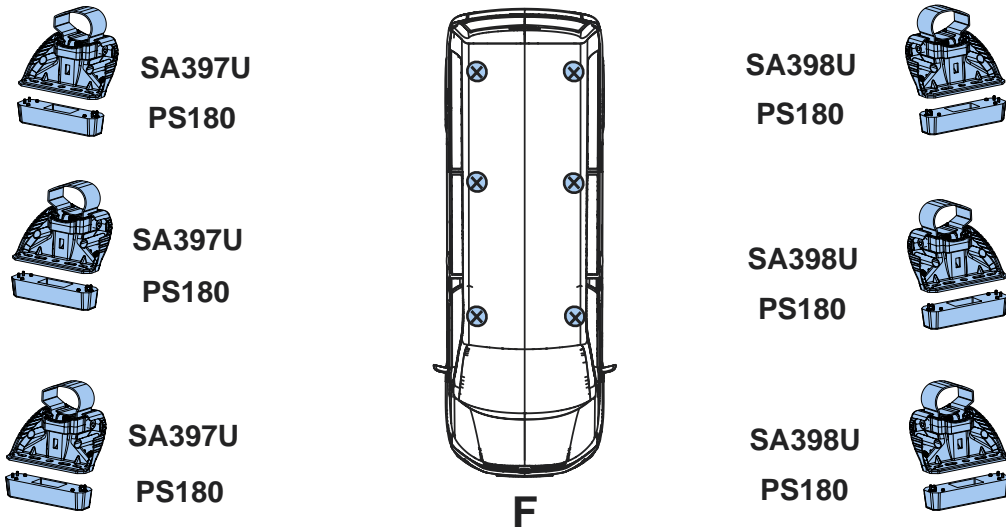
1.



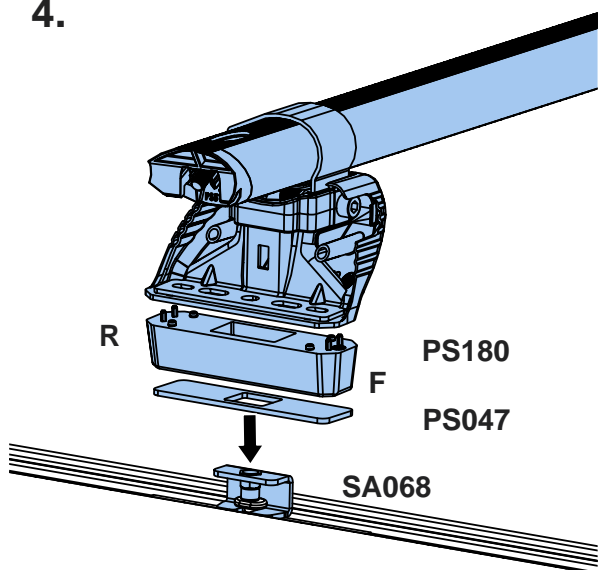
2.



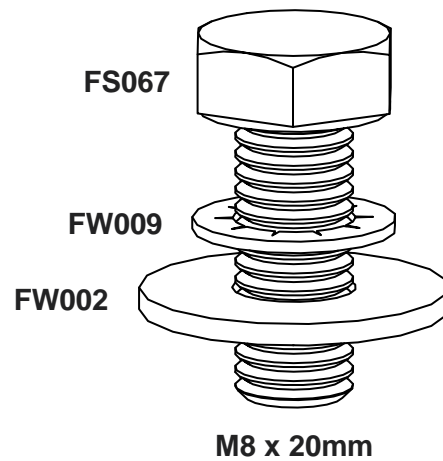
3.

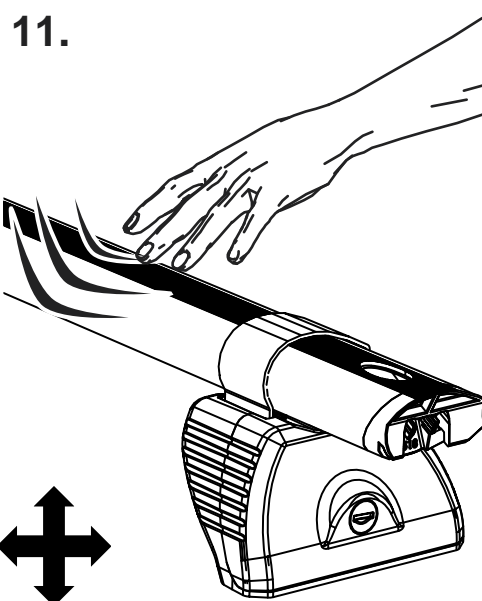
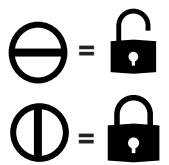
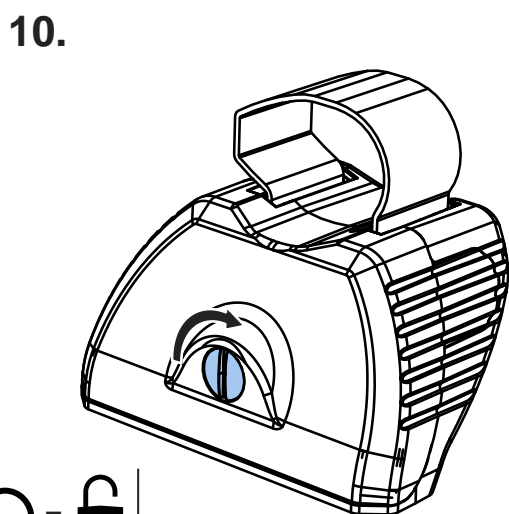
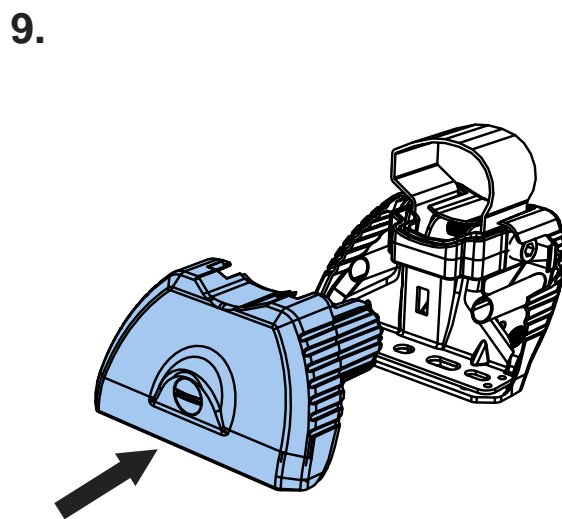
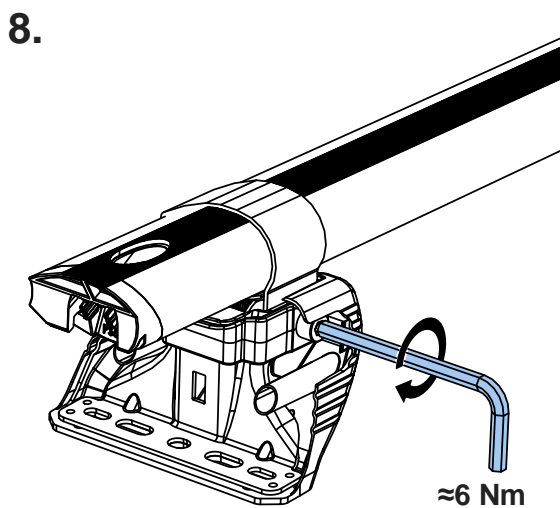
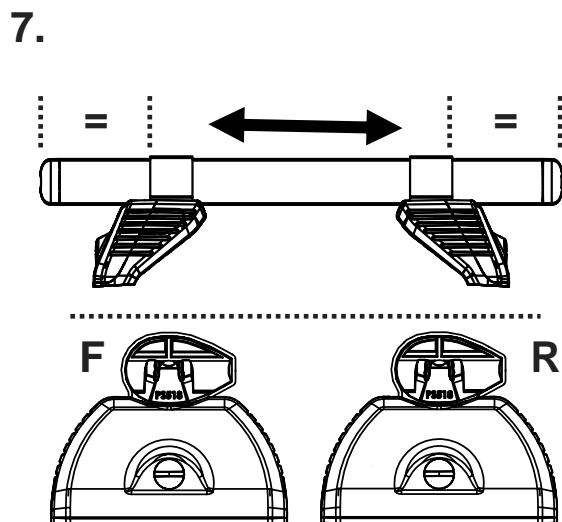
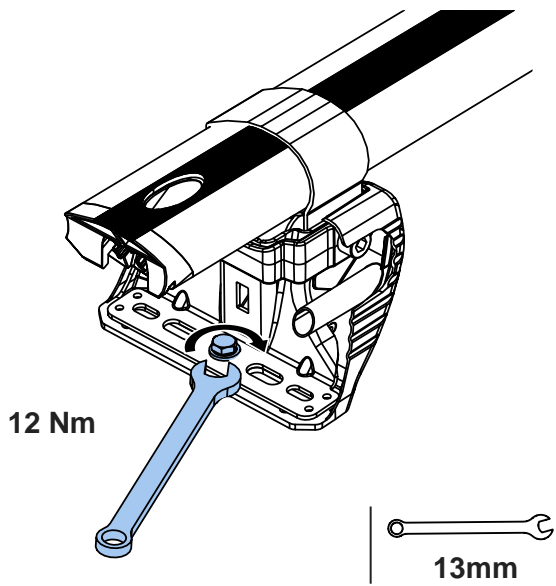


4.

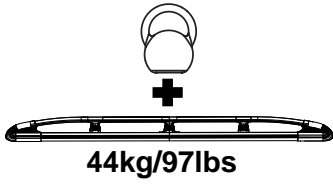


5.

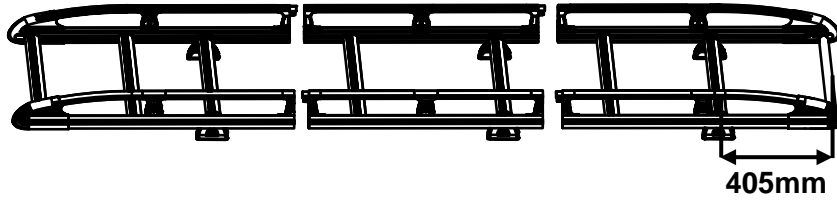
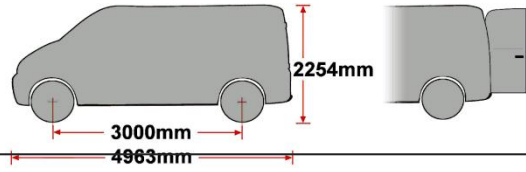




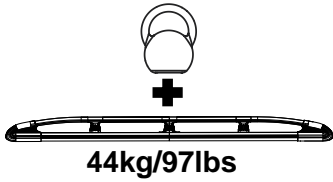
**K545/B545- Jumper/Relay/Boxer/Ducato 2006-/Movano  
2020- L1, H1, Twin Doors**



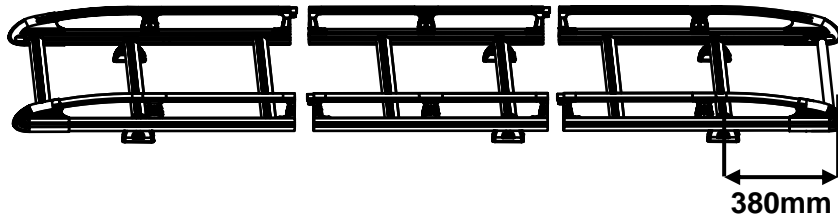
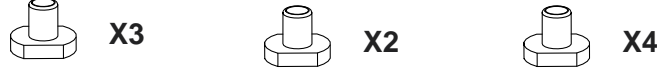
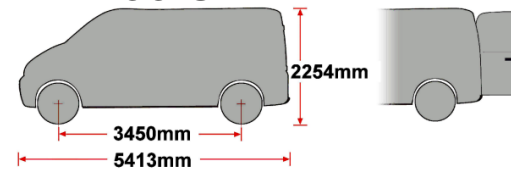
**150kg  
Max**



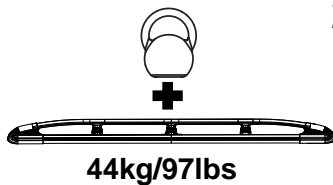
**K545/B545- Jumper/Relay/Boxer/Ducato 2006-/Movano  
2020- L2, H1, Twin Doors**



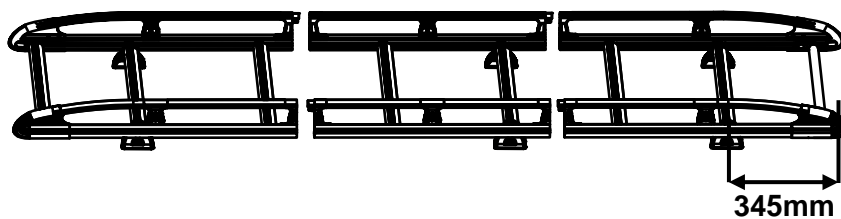
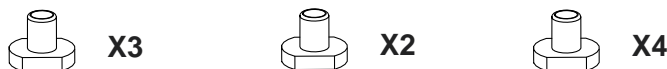
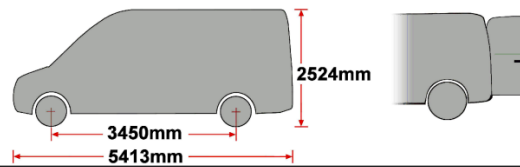
**150kg  
Max**



**K545/B545- Jumper/Relay/Boxer/Ducato 2006-/Movano  
2020- L2, H2, Twin Doors**

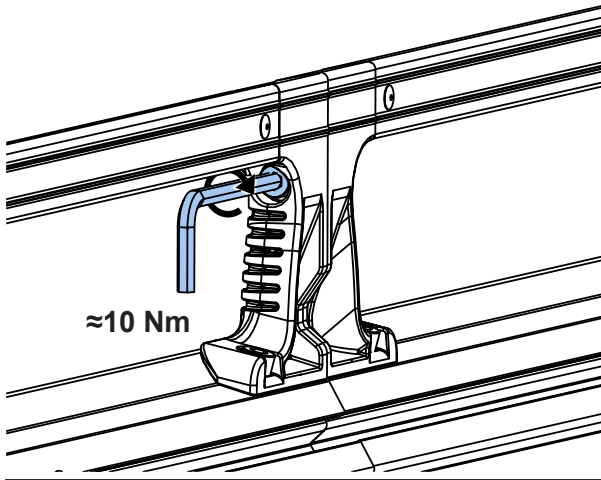


**150kg  
Max**

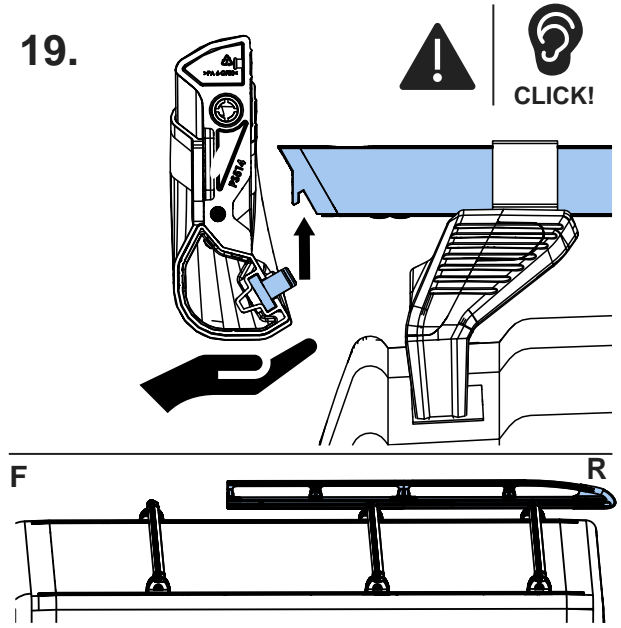




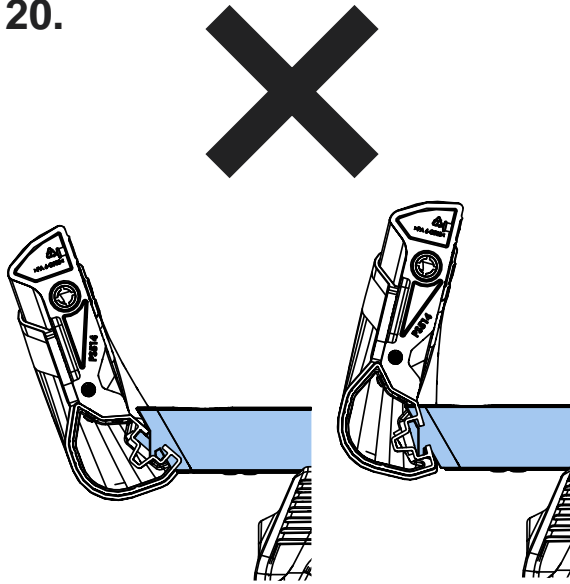
18.



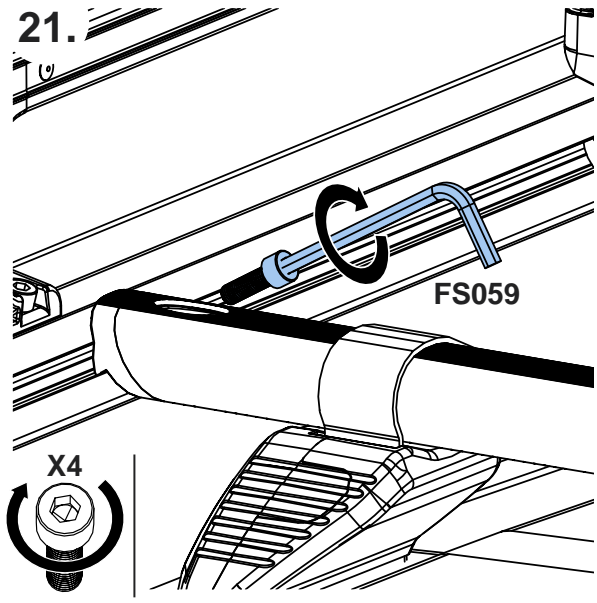
19.



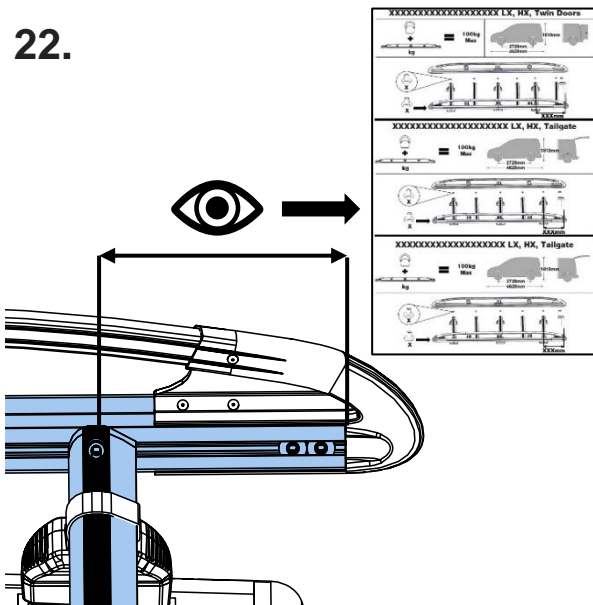
20.



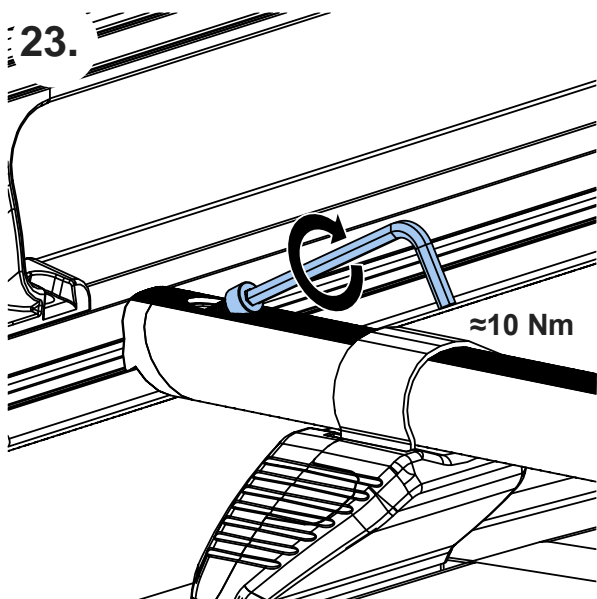
21.



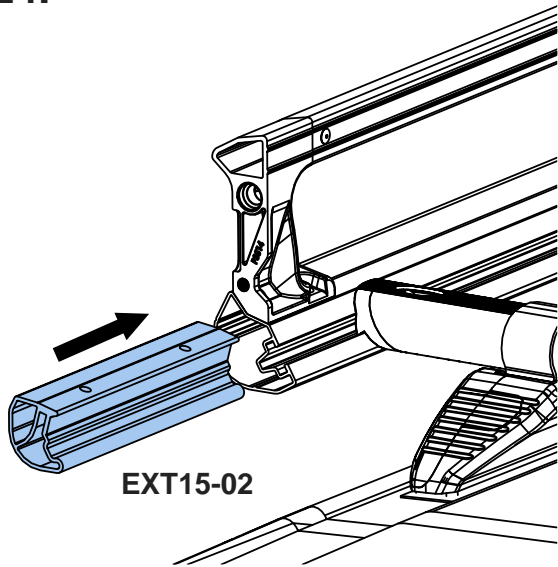
22.



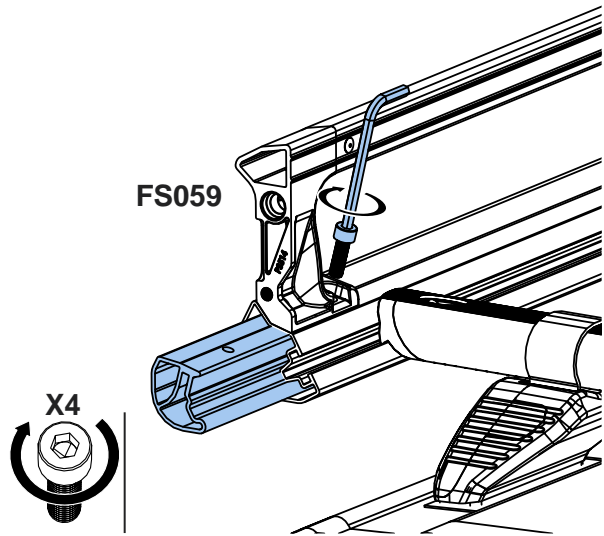
23.



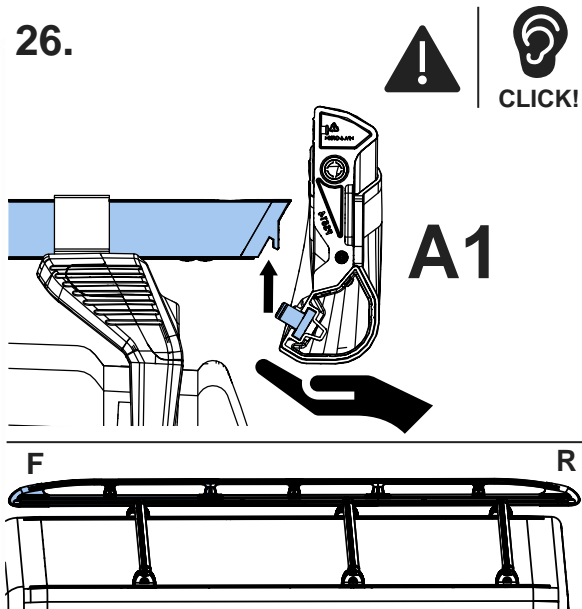
24.



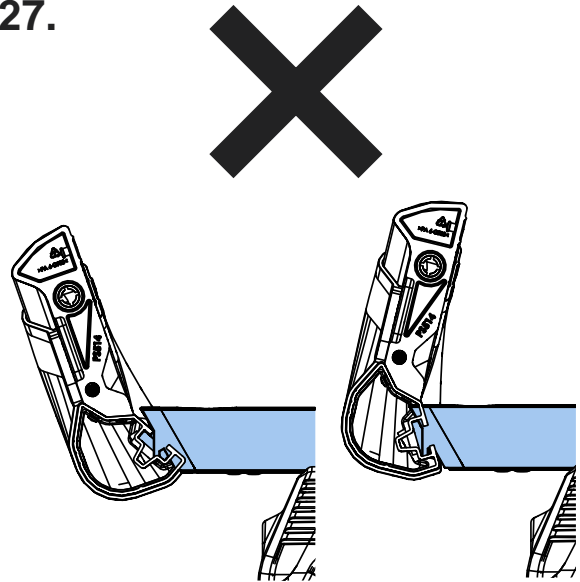
25.



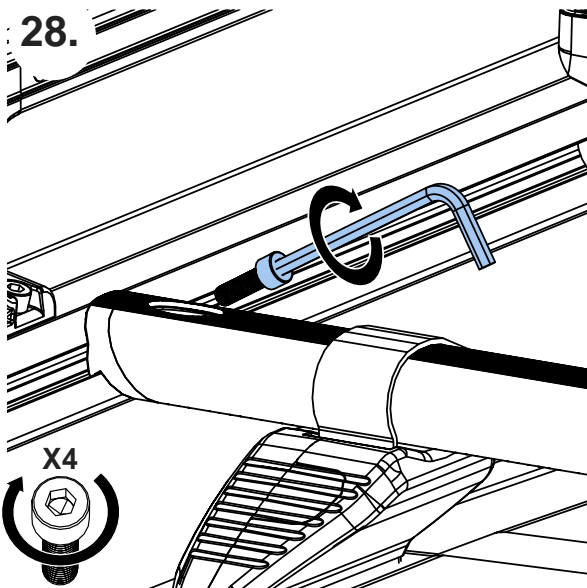
26.



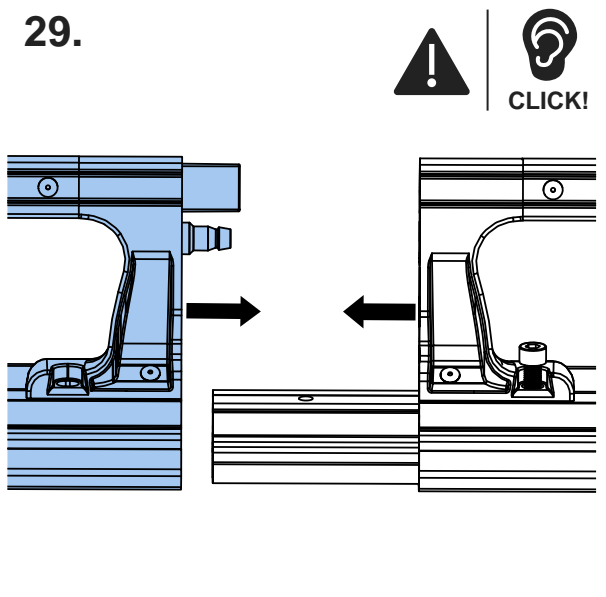
27.



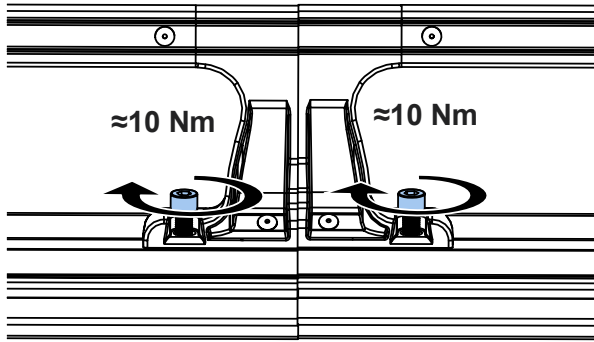
28.



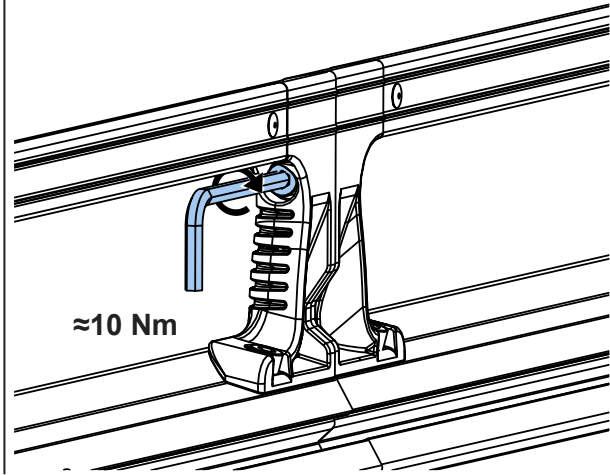
29.



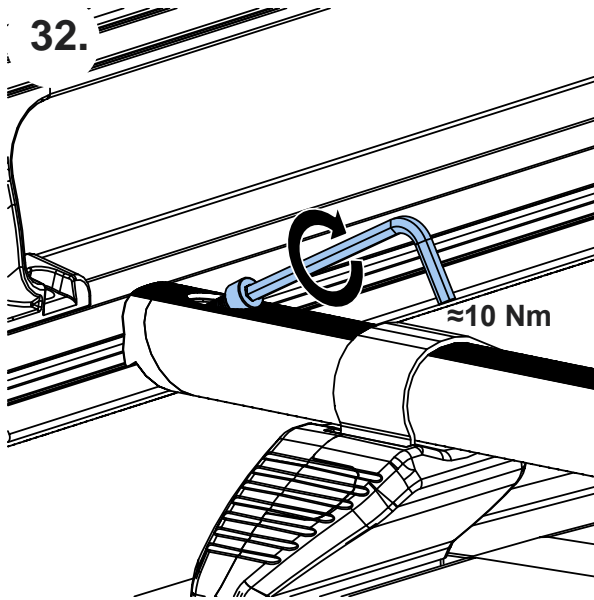
30.



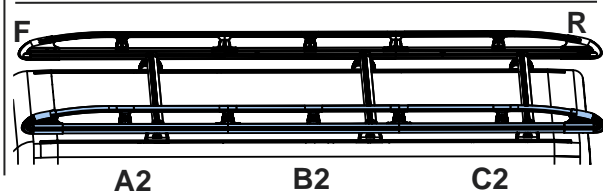
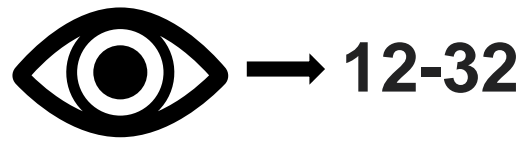
31.



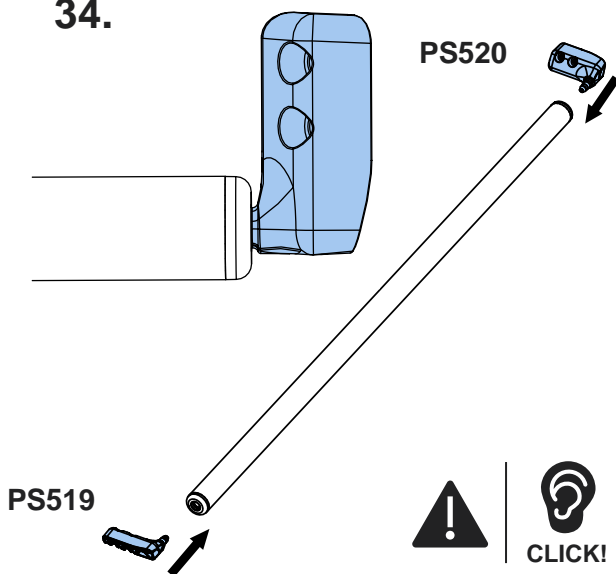
32.



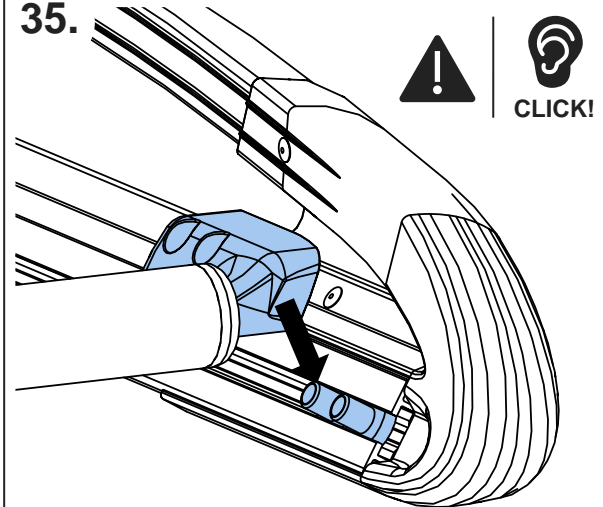
33.



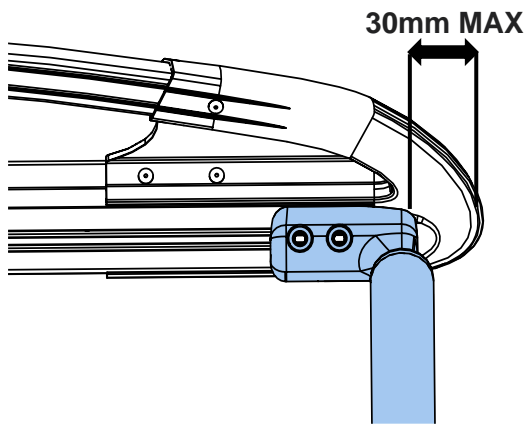
34.



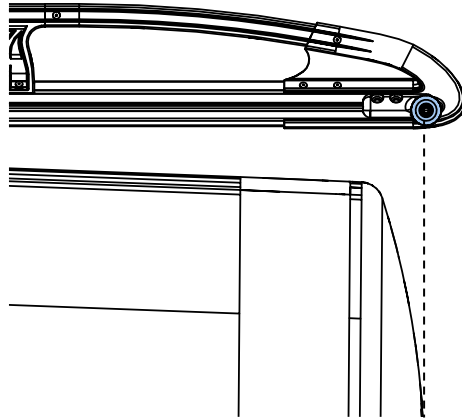
35.



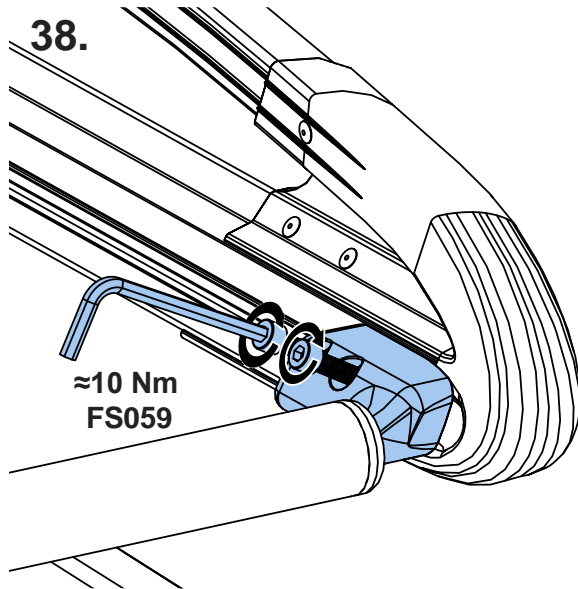
36.



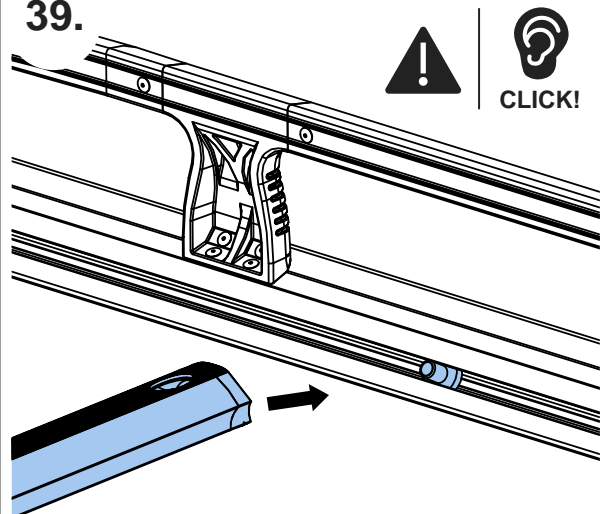
37.



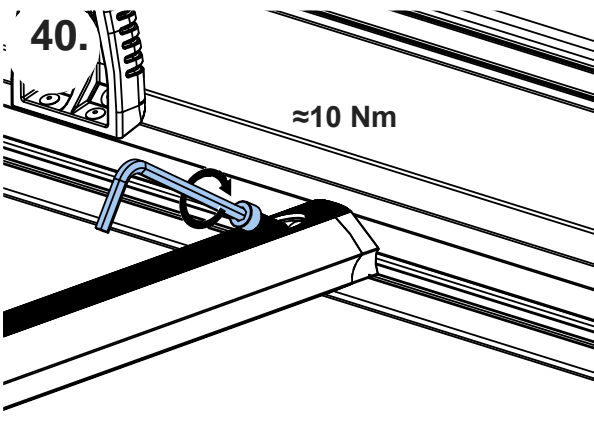
38.



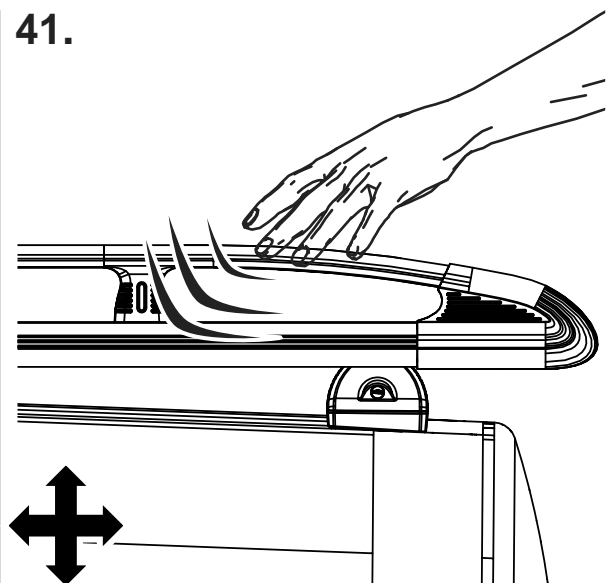
39.



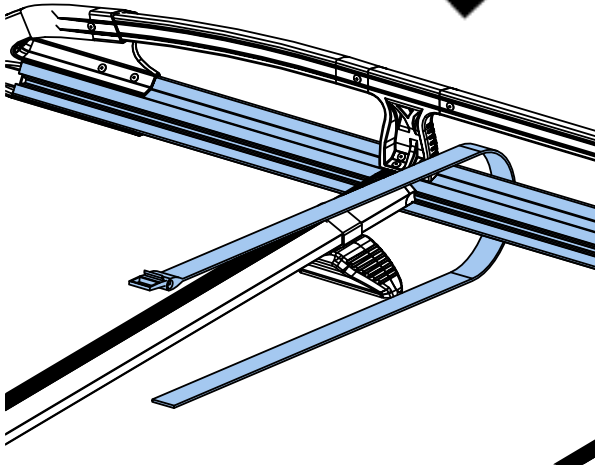
40.



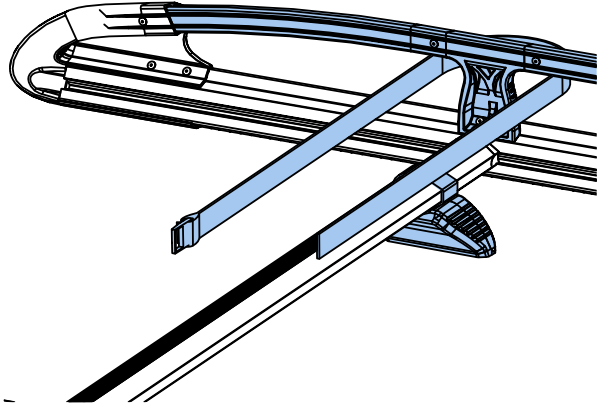
41.



42.

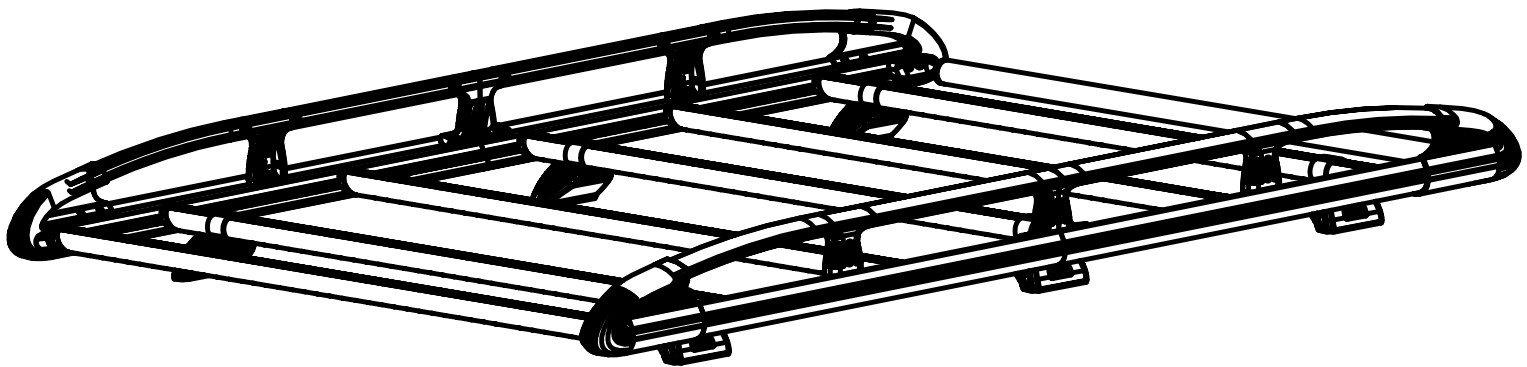


43.



# IA74KR

## KammRack Instructions

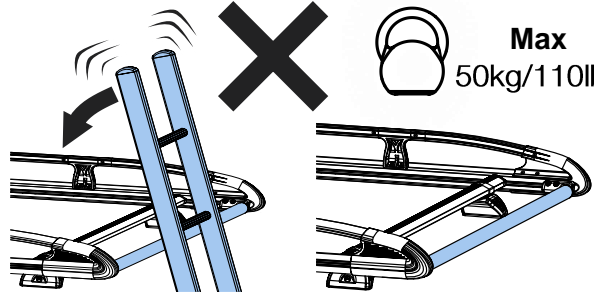
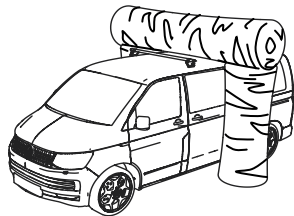
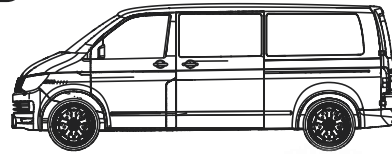


**CITY CRASH** (✓)

According to ISO/ PAS 11154:2006

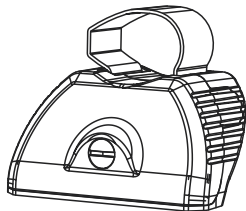
**IA74KR:**

**CITROEN** Relay, 2006 – Onwards  
**PEUGEOT** Boxer, 2006 – Onwards  
**FIAT** Ducato, 2006 – Onwards  
**VAUXHALL** Movano 2020- Onwards

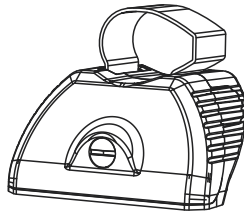


**Max**  
50kg/110lbs

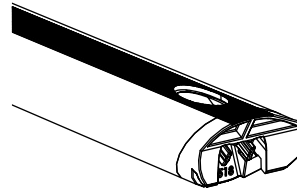
**KammRack**



**SA397U x 4**



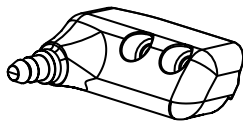
**SA398U x 4**



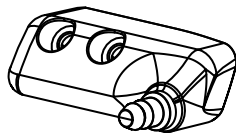
**SA431/S  
A469**



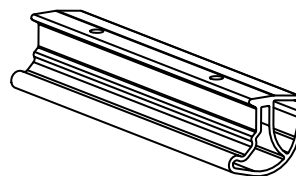
**C04 x 8**  
\*optional upgrade\*



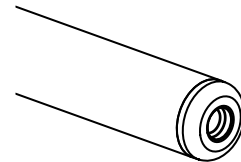
**PS519 x 1**



**PS520 x 1**



**EXT15-02 x 4**

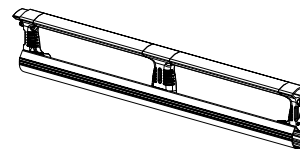
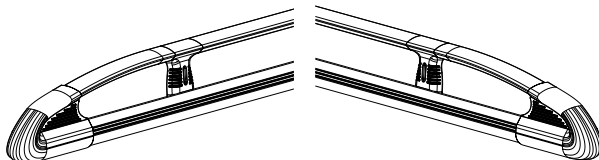


**SA439 x 1**

**LHS x 2**

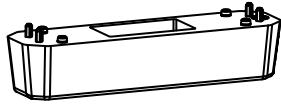
**RHS x 2**

**Centre x 2**

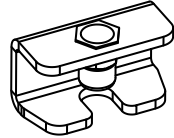


**ASF x 1**

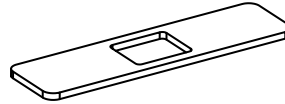
## Fitting Kit



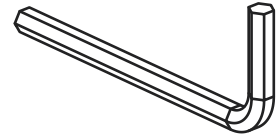
PS180 x 8



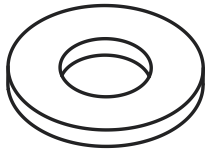
SA068 x 8



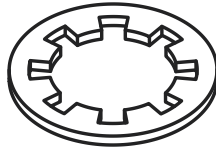
PS047 x 8



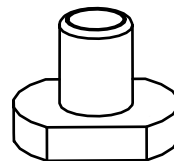
FT01 x 1



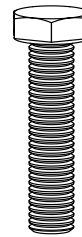
FW002 (M8) x 8



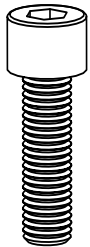
FW009 (M8) x 8



FN085 x 22



FS067   
(M8 x 20) x 8

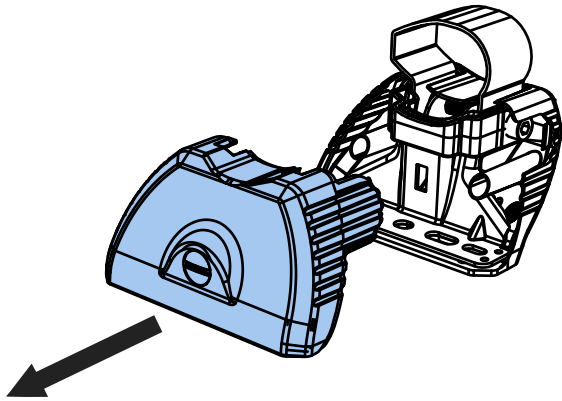


FS059  (M8  
x 25) x 22

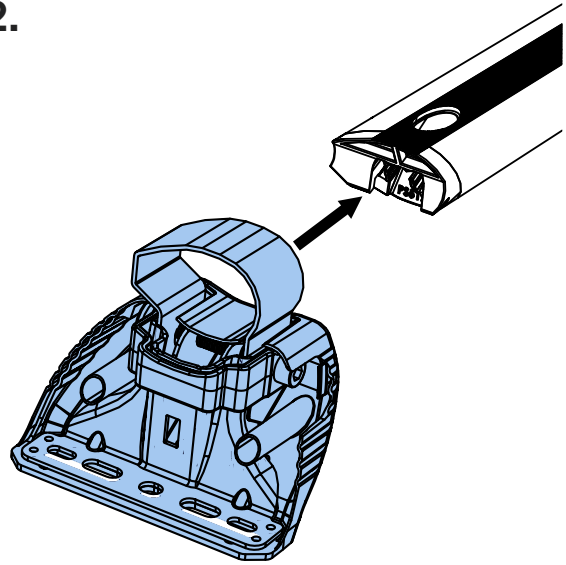


FT05 x 1

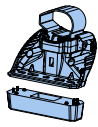
1.



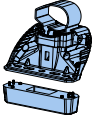
2.



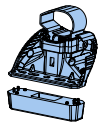
3.



SA397U  
PS180



SA397U  
PS180

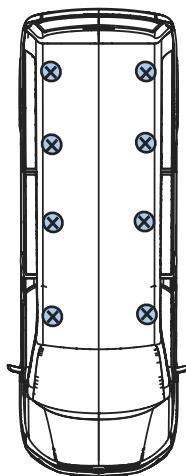


SA397U  
PS180



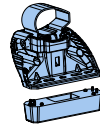
SA397U  
PS180

R



F

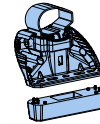
SA398U  
PS180



SA398U  
PS180



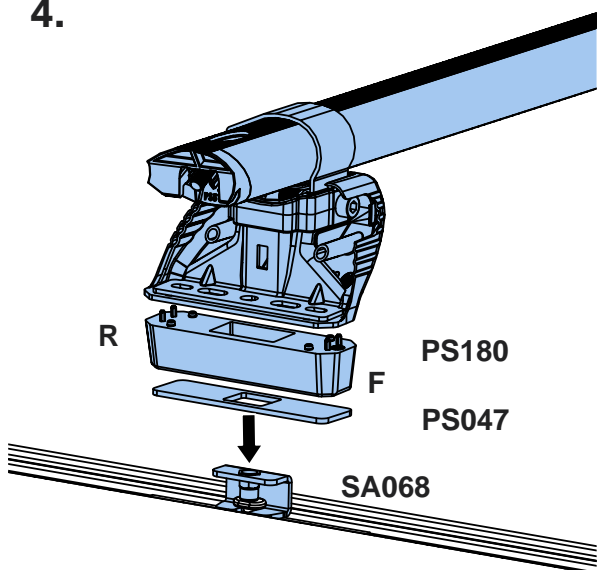
SA398U  
PS180



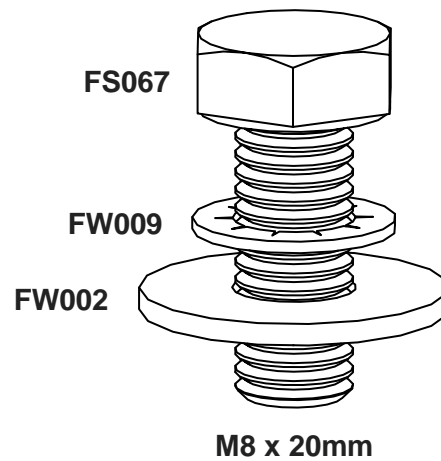
SA398U  
PS180

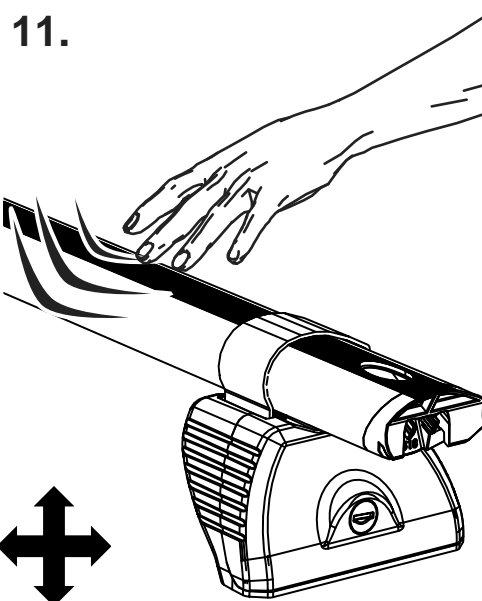
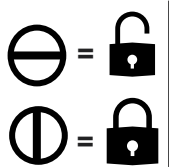
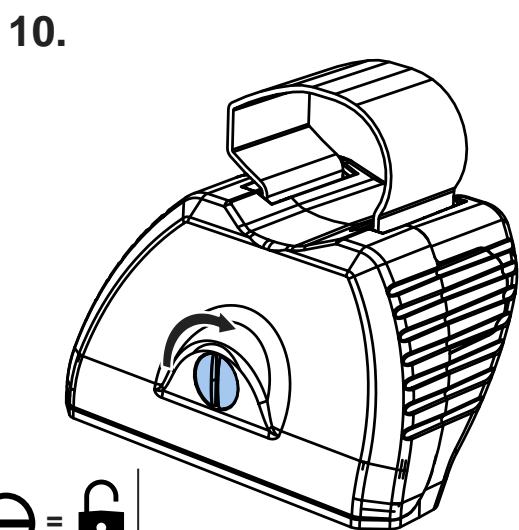
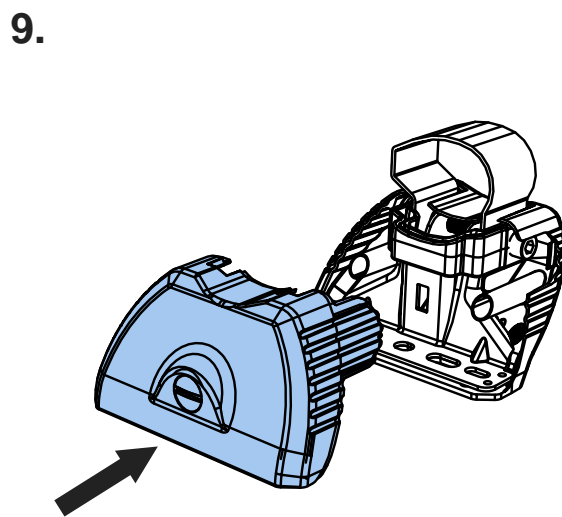
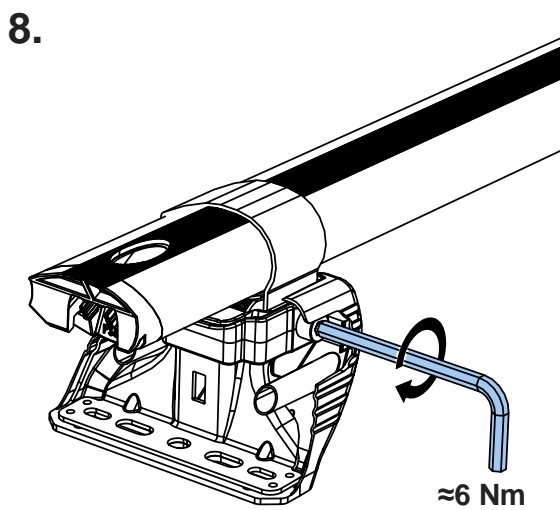
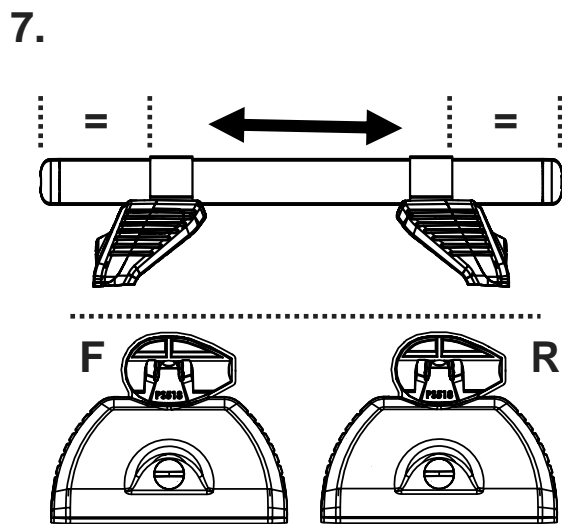
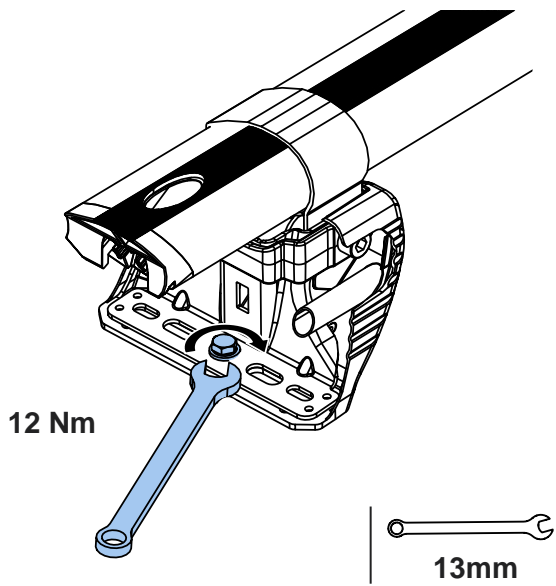


4.

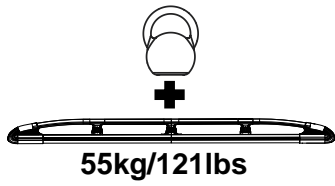


5.

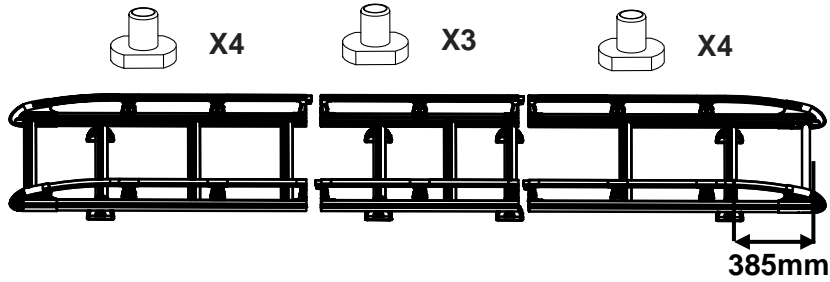
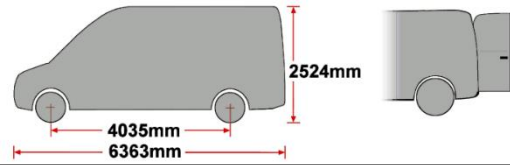




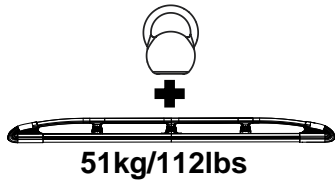
**K587/B587- Jumper/Relay/Boxer/Ducato 2006-/Movano  
2020- L4, H2, Twin Doors**



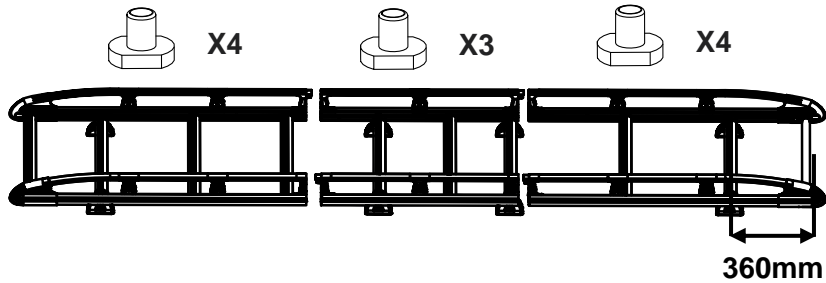
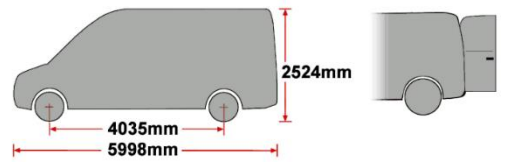
150kg  
Max



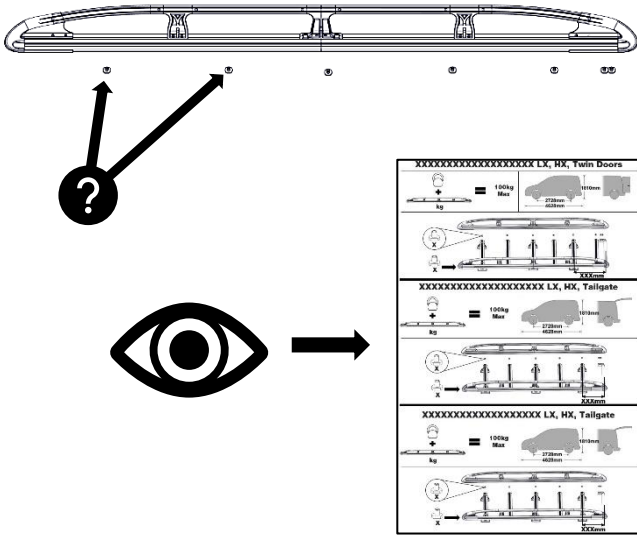
**K548/B548- Jumper/Relay/Boxer/Ducato 2006-/Movano  
2020- L3, H2, Twin Doors**



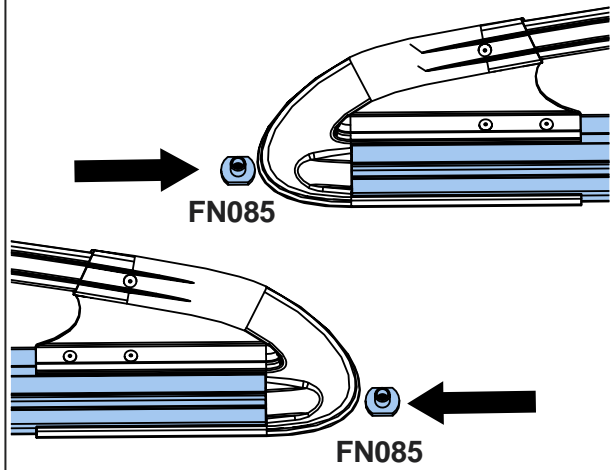
150kg  
Max



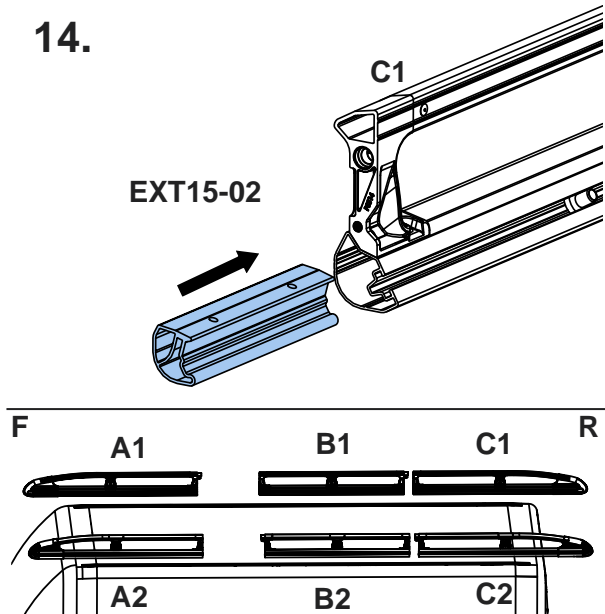
12.



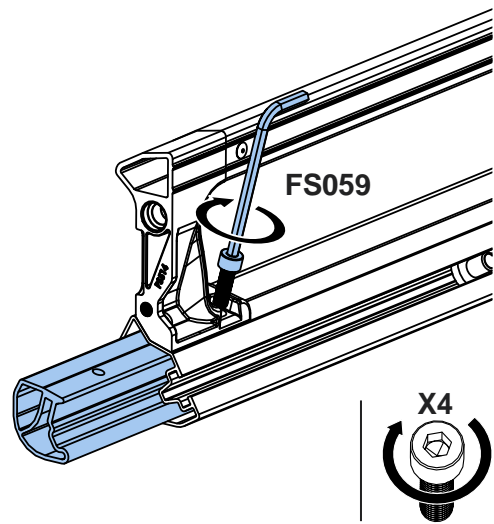
13.



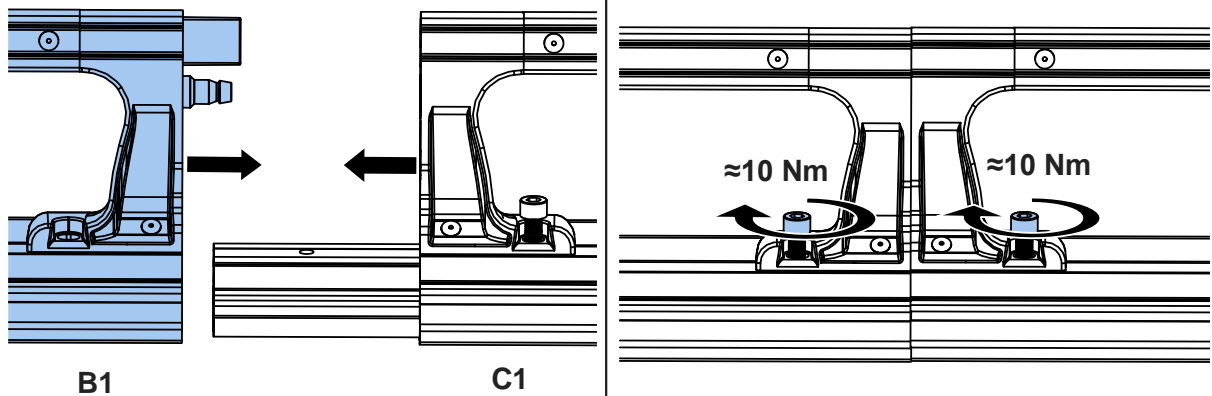
14.



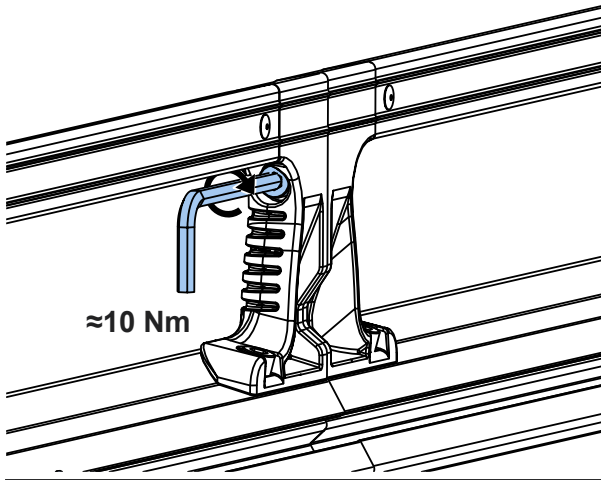
15.



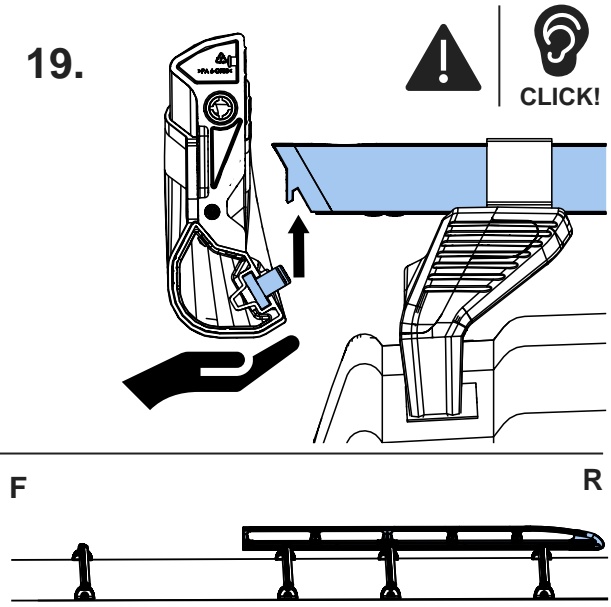
17.



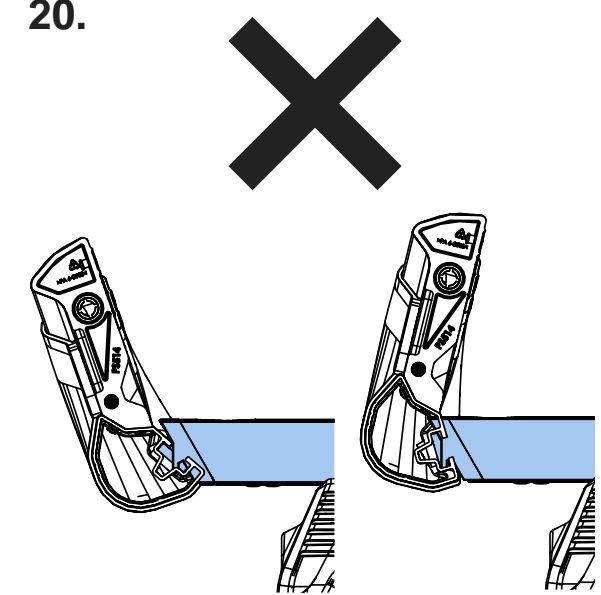
18.



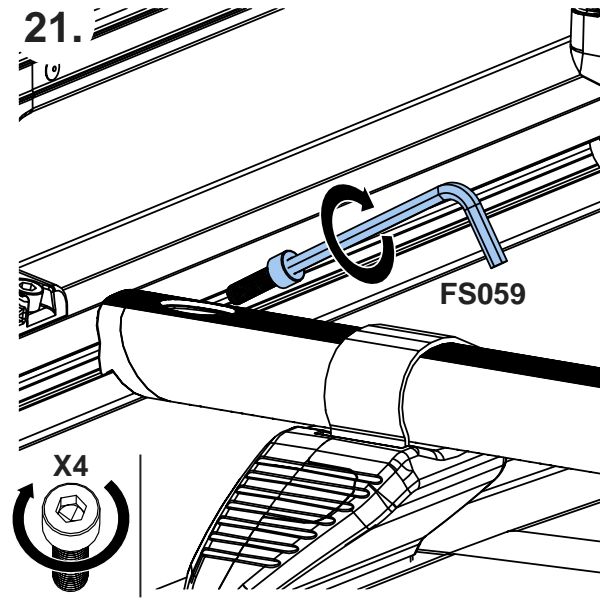
19.



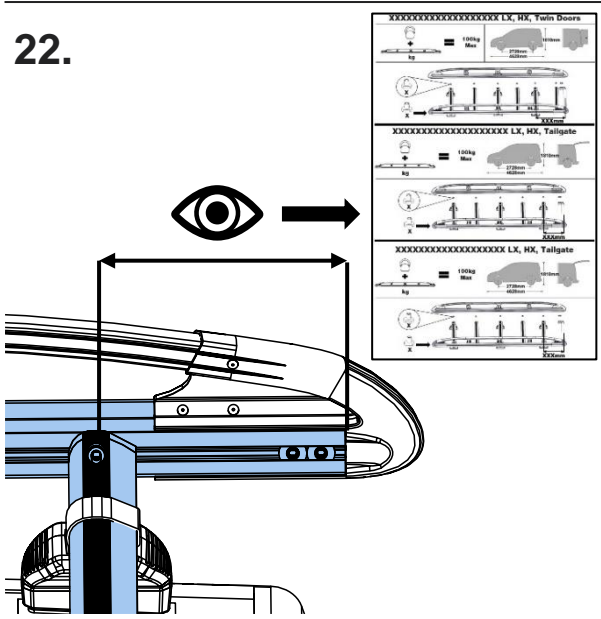
20.



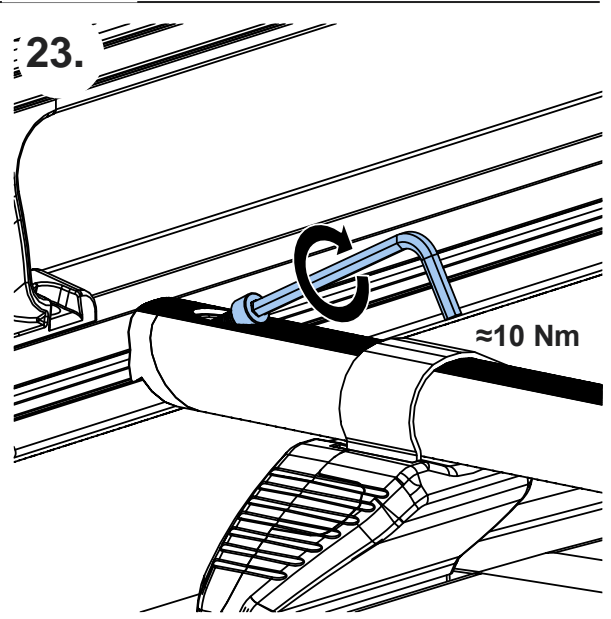
21.



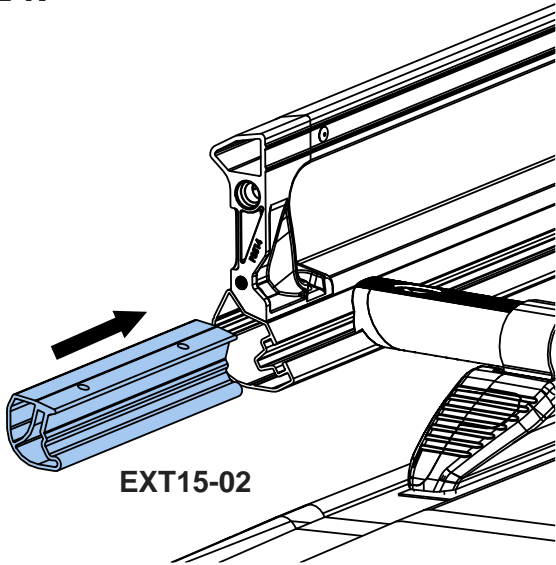
22.



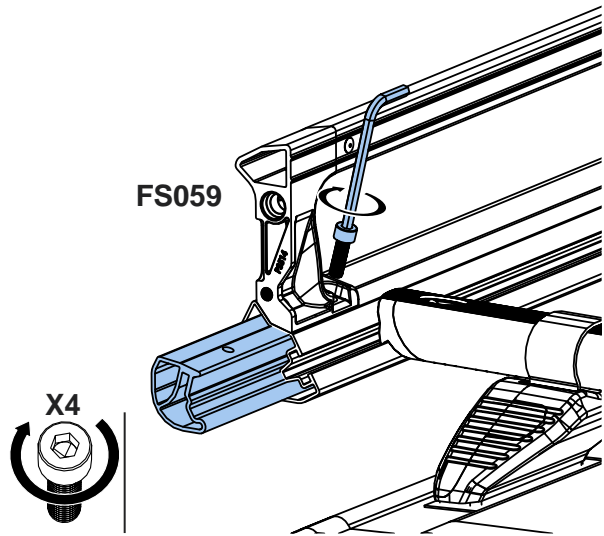
23.



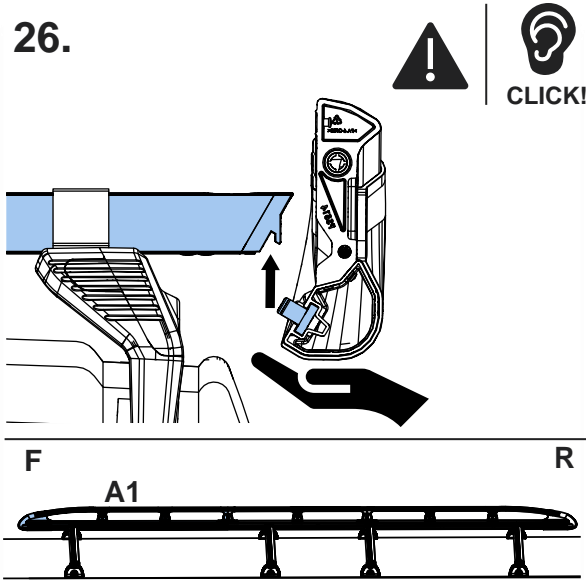
24.



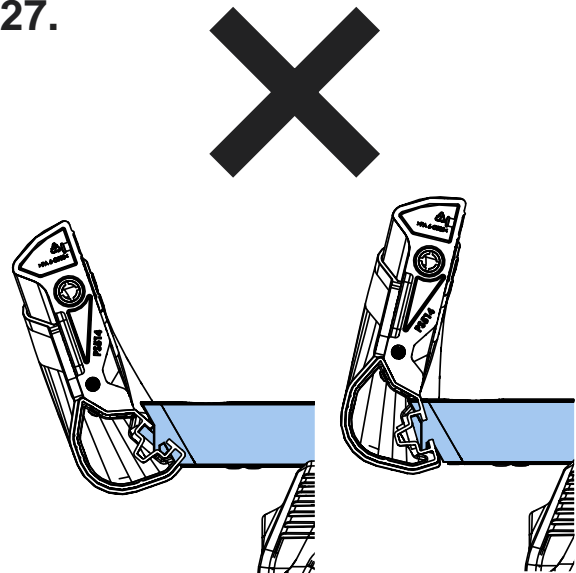
25.



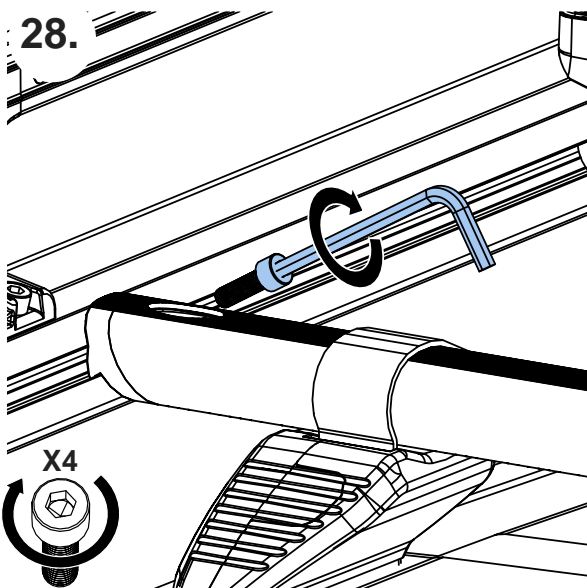
26.



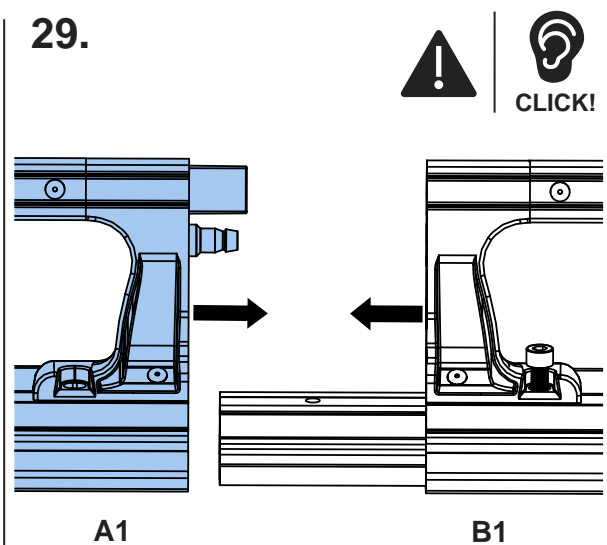
27.



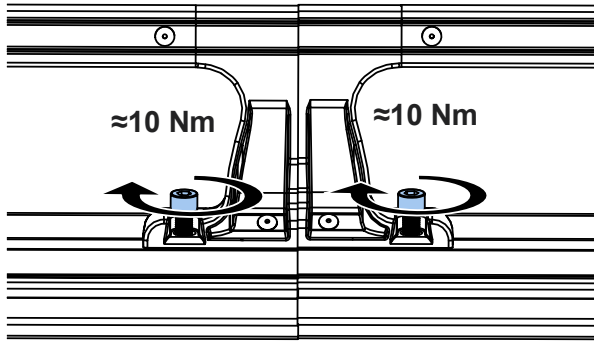
28.



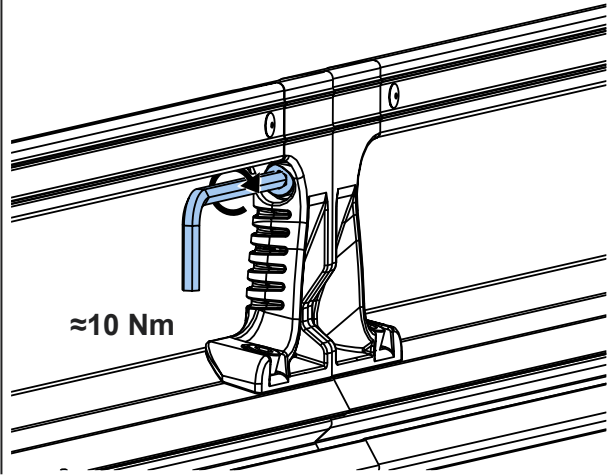
29.



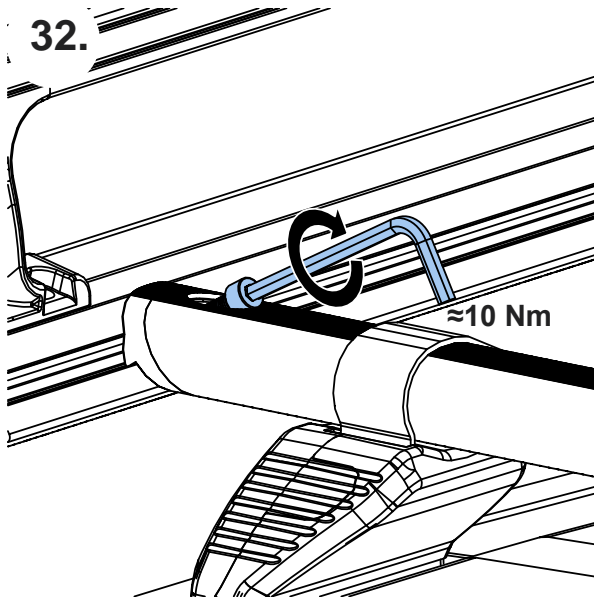
30.



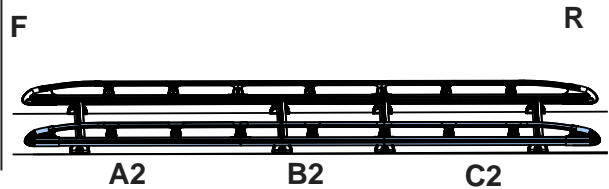
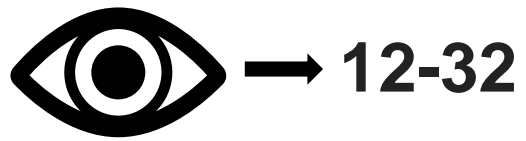
31.



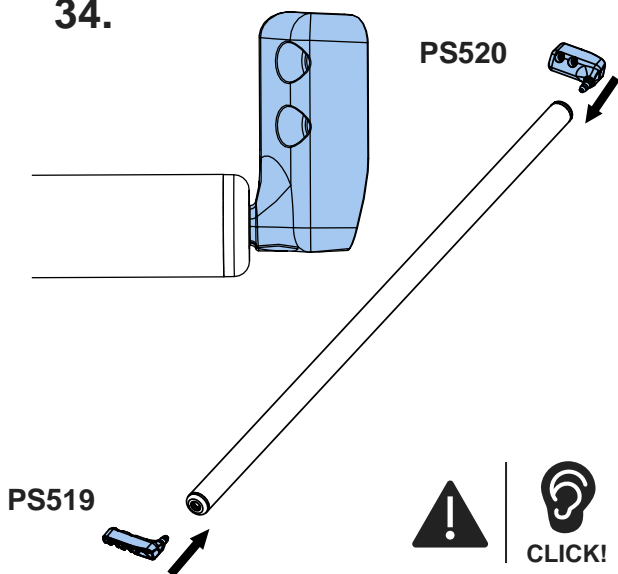
32.



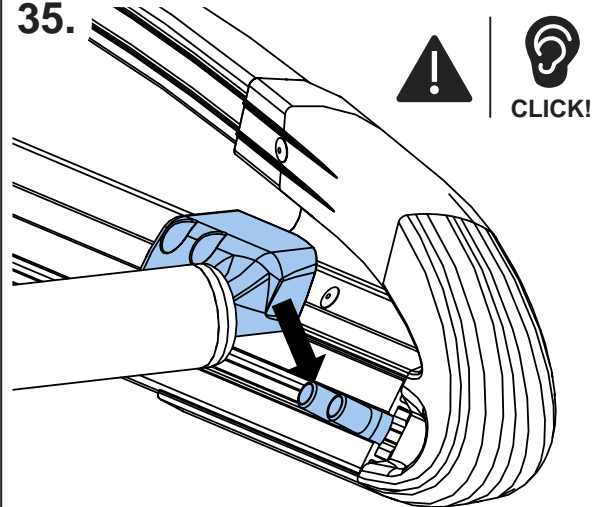
33.



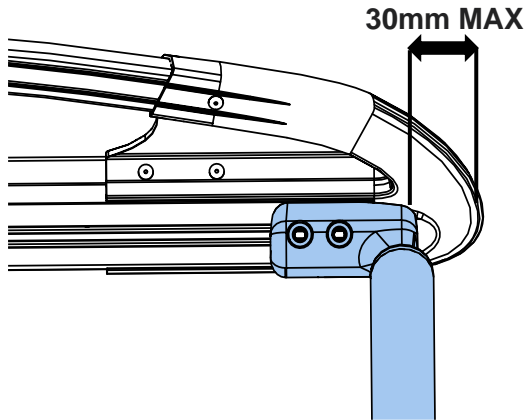
34.



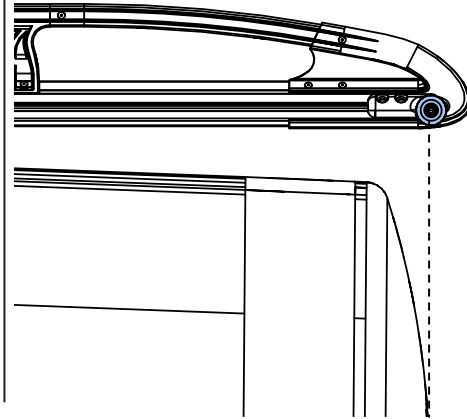
35.



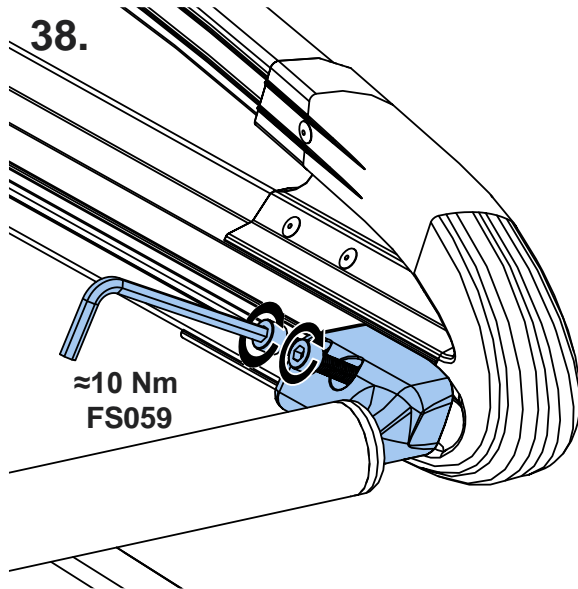
36.



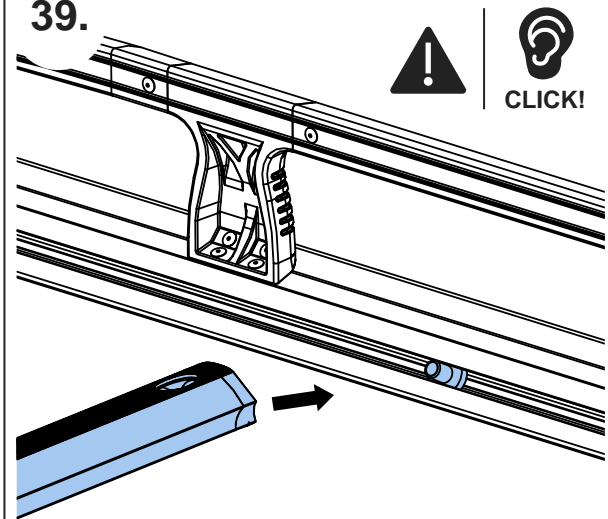
37.



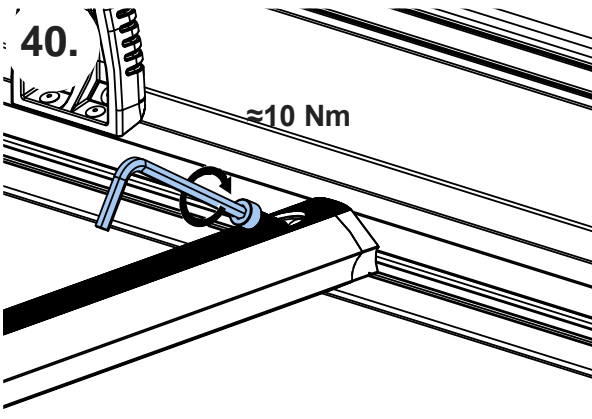
38.



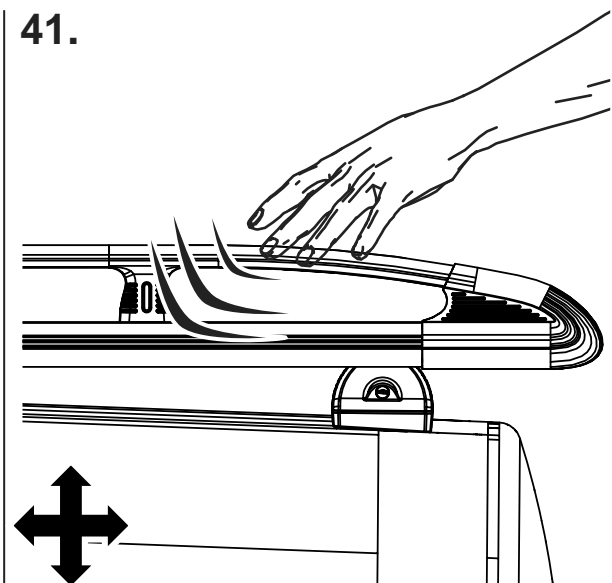
39.



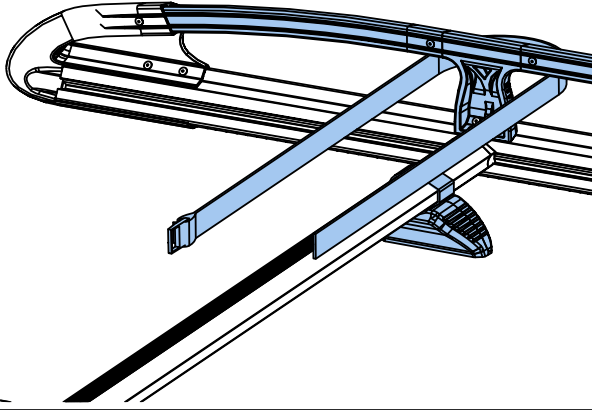
40.



41.



42.



43.

