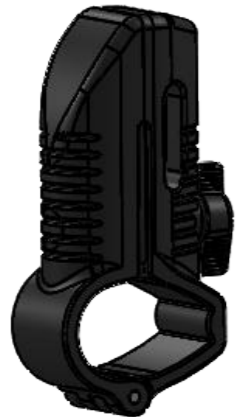




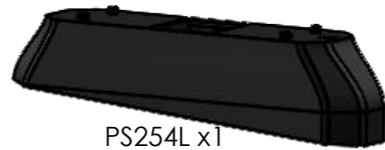
SA055 x 2



SA056 x 2



SA070 x 4



PS254L x1



PS254R x1



PS178 x 2



PS047 x 2

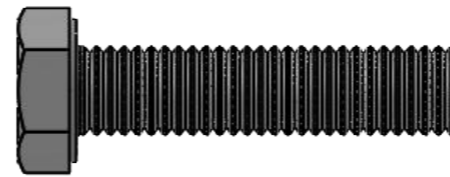


PS412 x 2

(1:1)



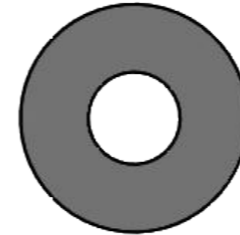
FS105 (M8 x 55) x 2



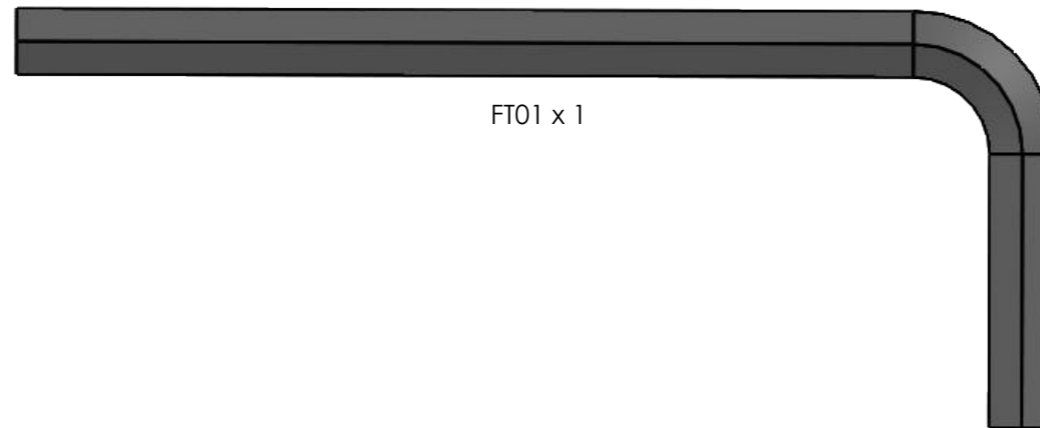
FS061 (M8 x 35) x 2



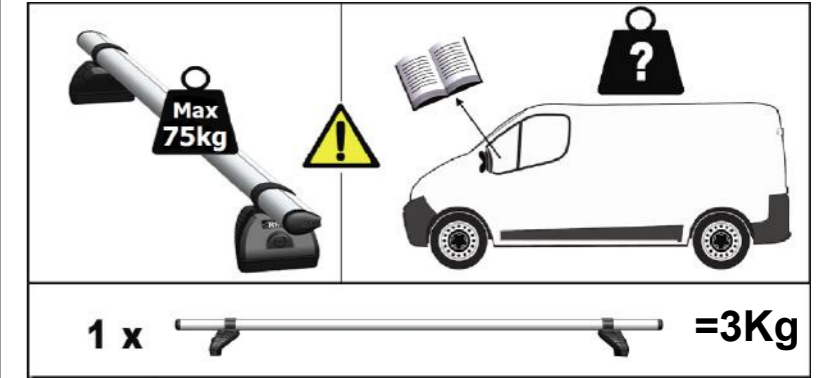
FW009 (M8) x 4



FW002 (M8) x 4

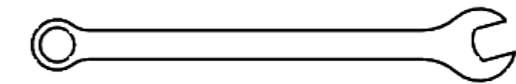
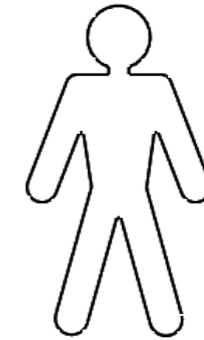


FT01 x 1

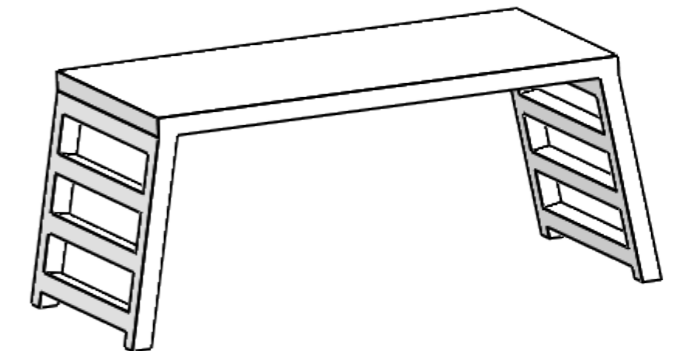


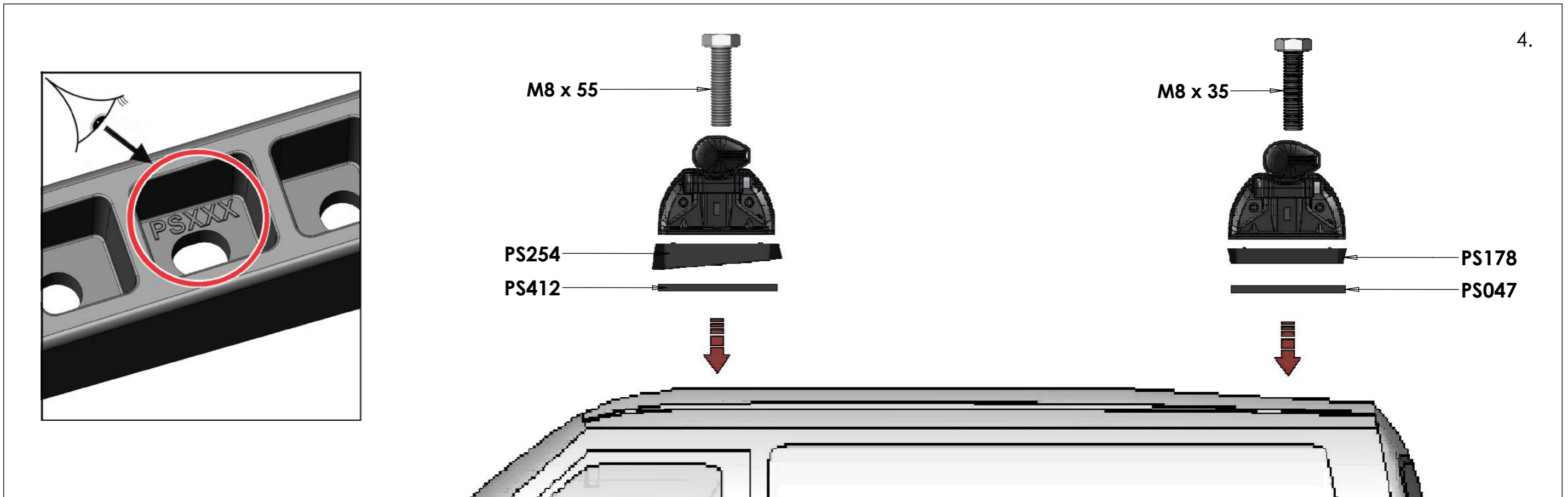
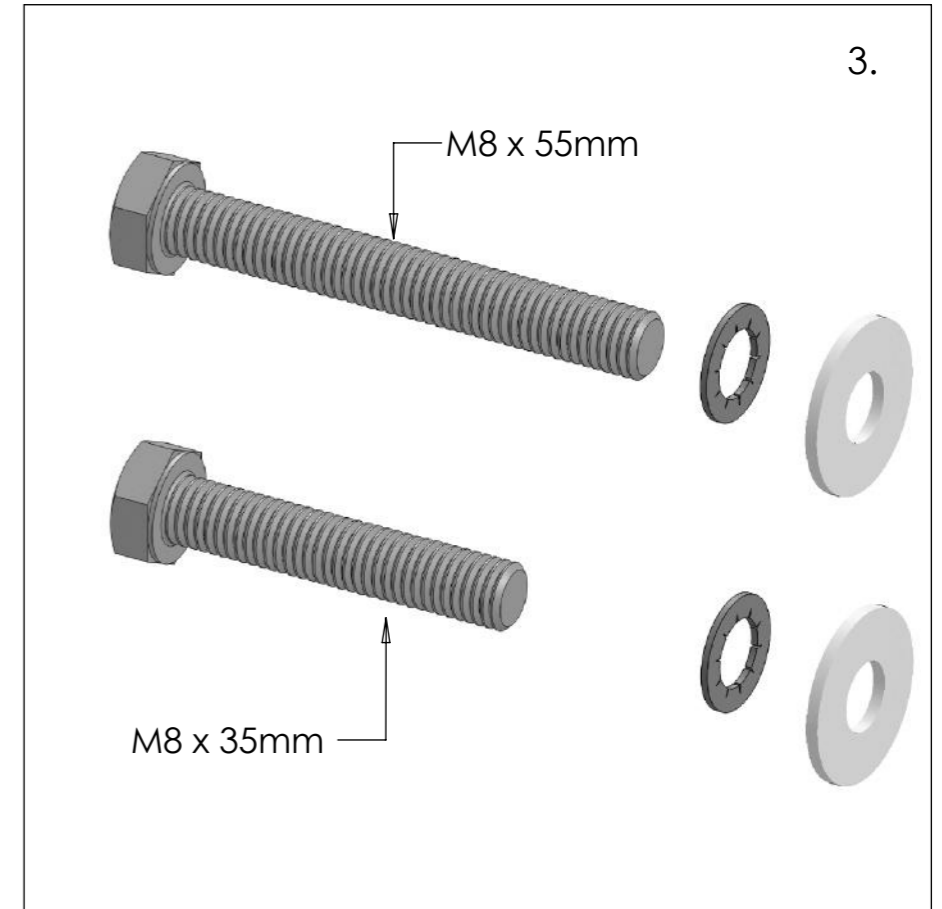
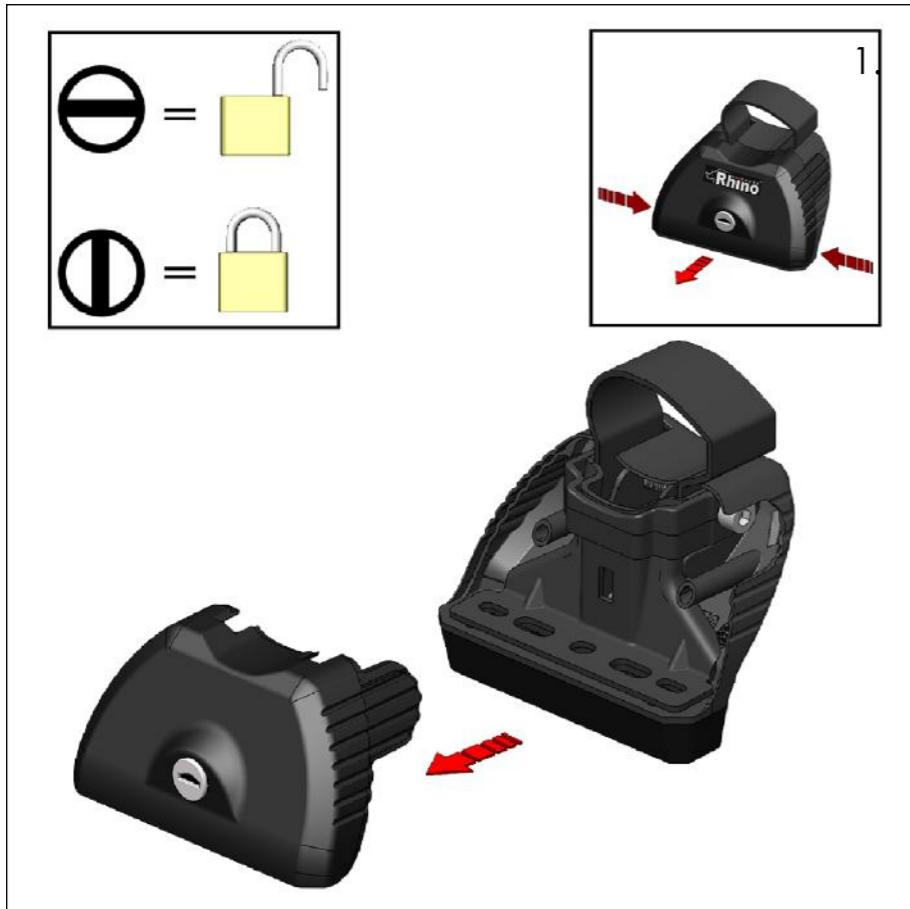
CITROEN BERLINGO 2018 -  
PEUGEOT PARTNER 2018 -  
VAUXHALL COMBO 2018 -

**TYPE DESIGNATION FORM A**

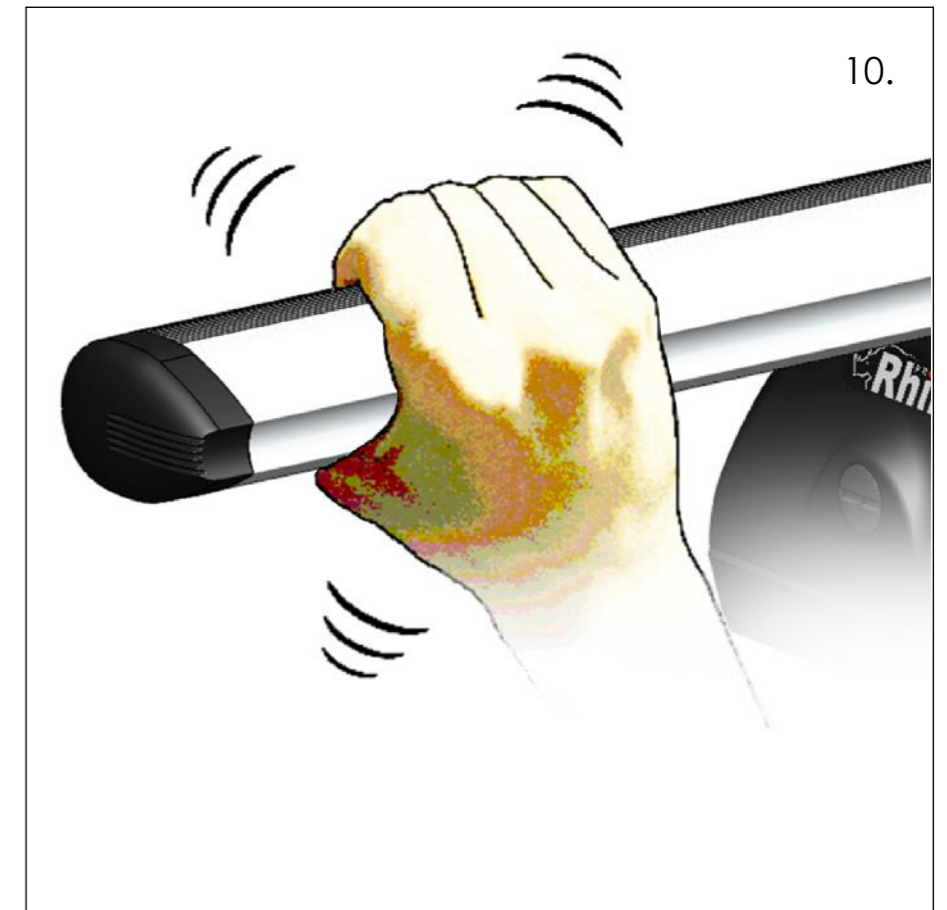
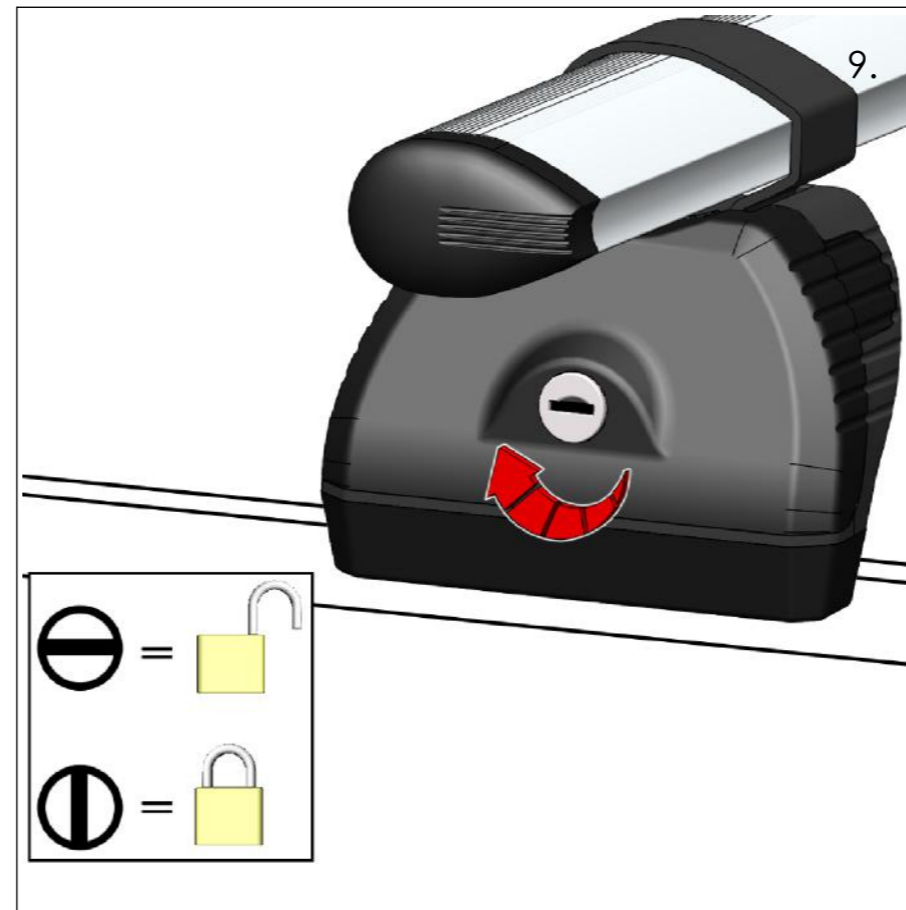
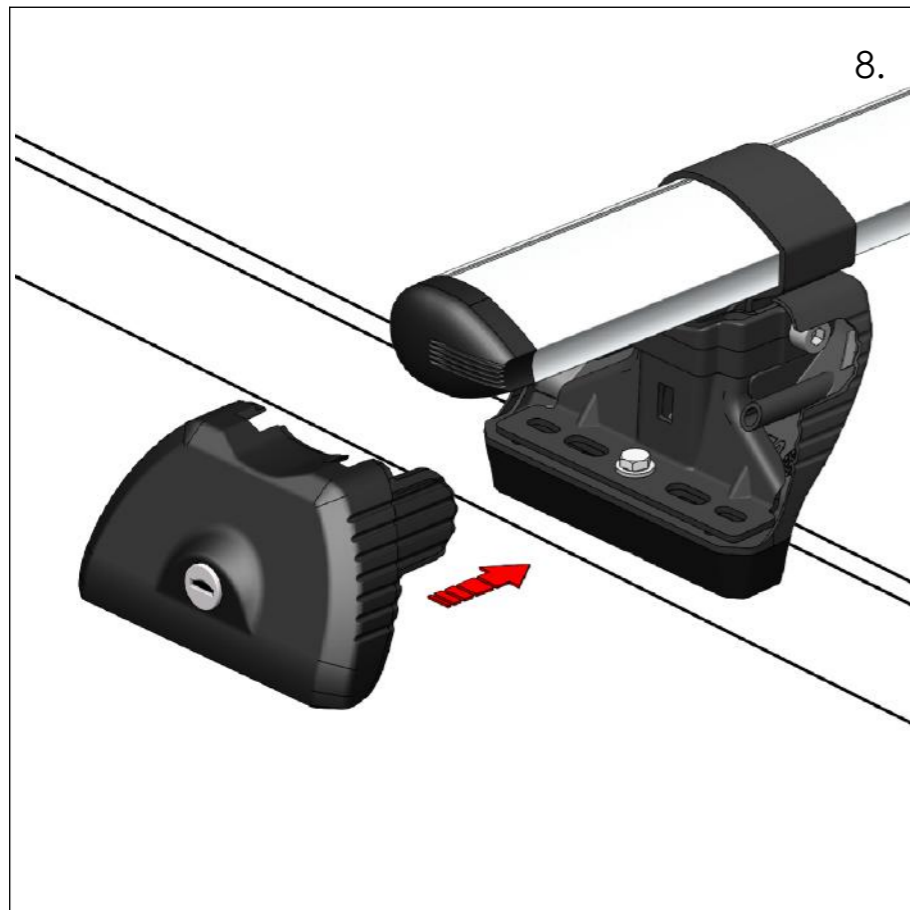
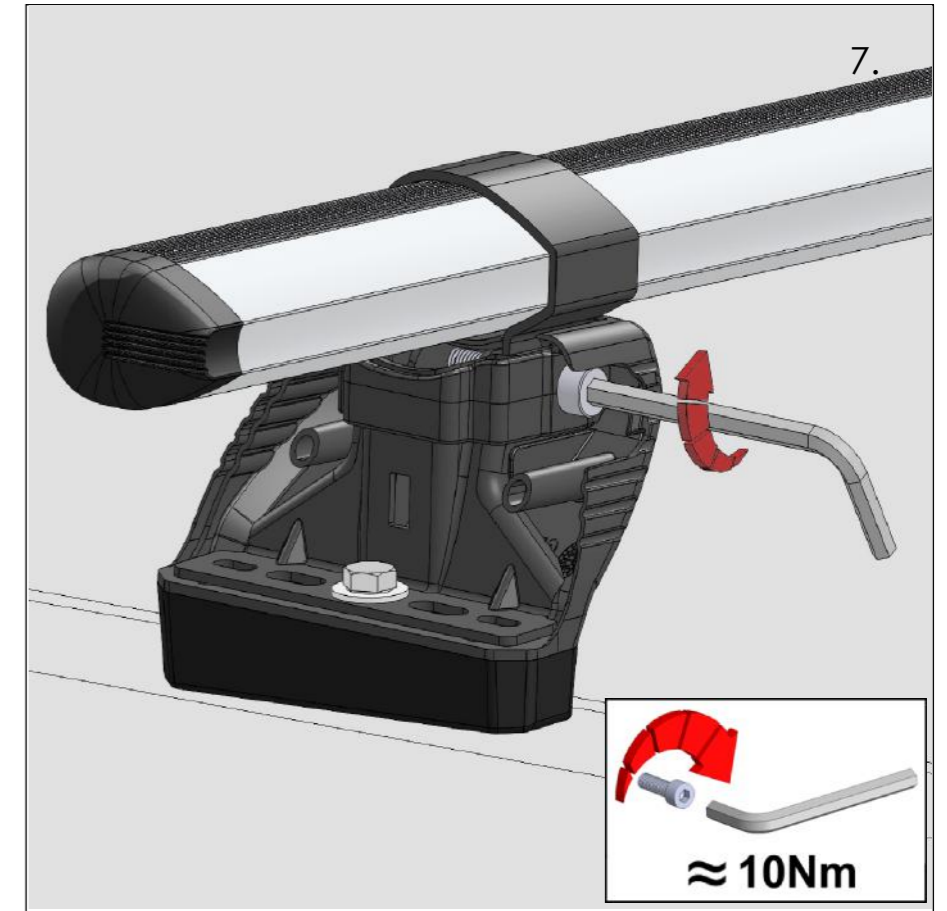
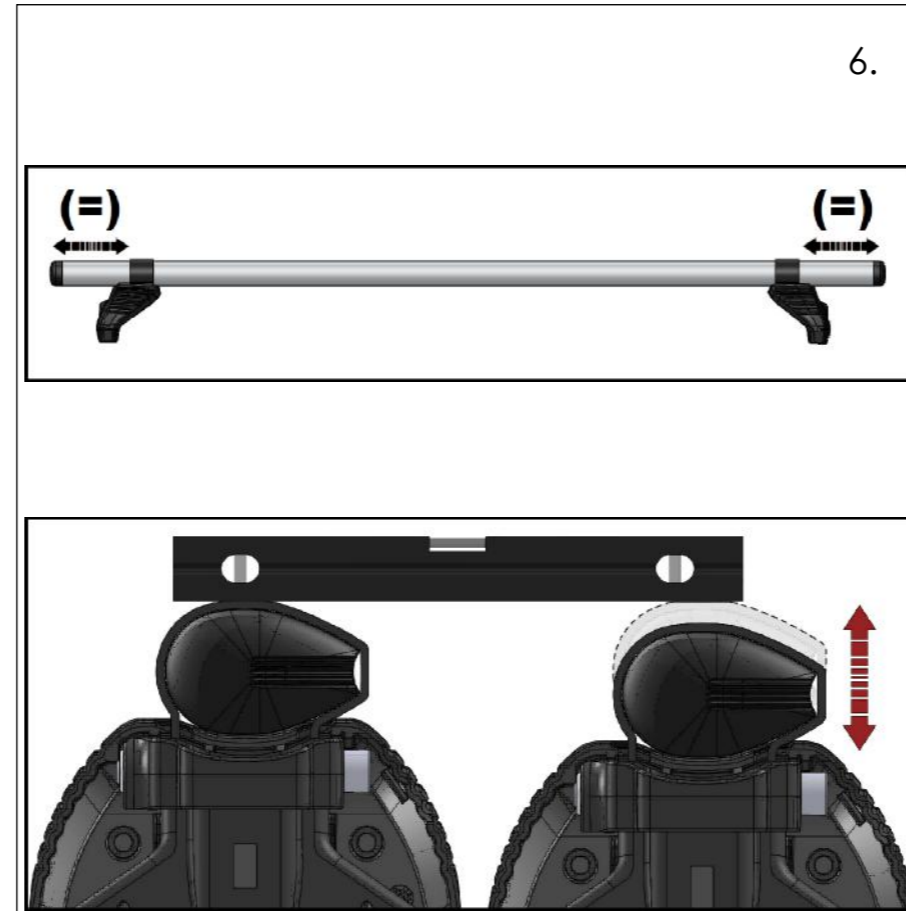


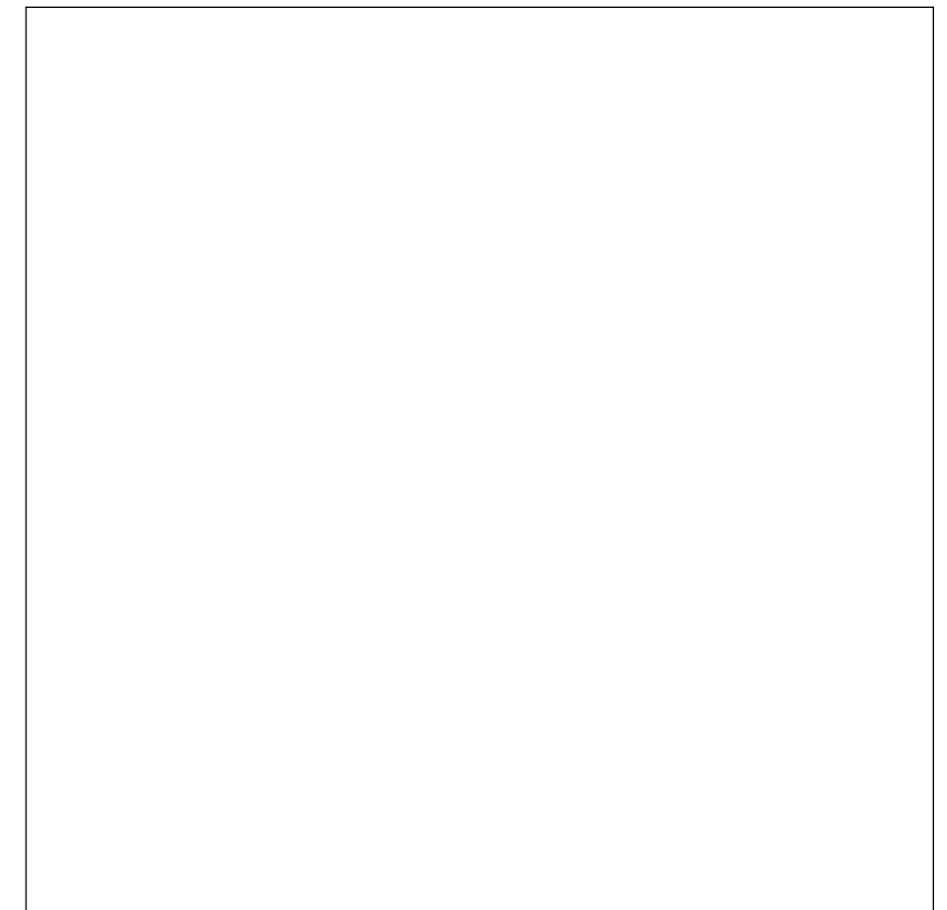
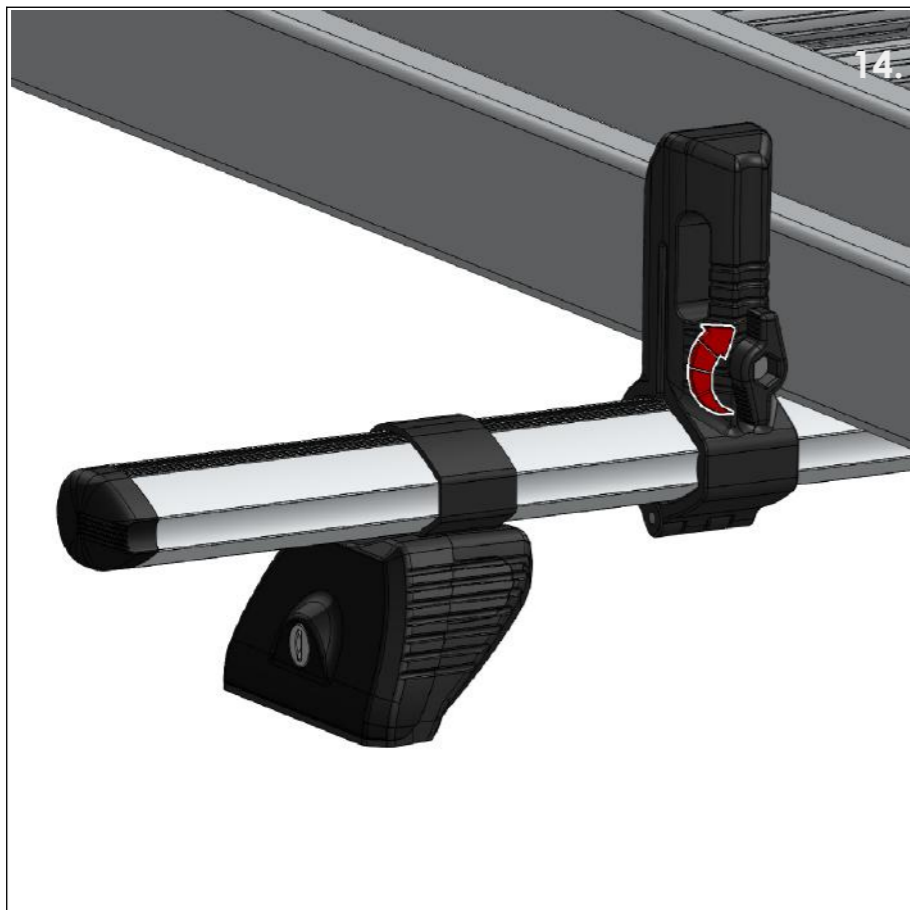
13mm x 1



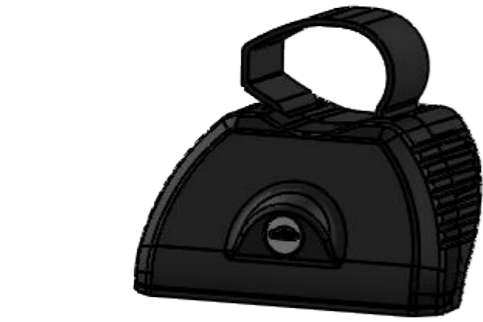












SA055 x 3



SA056 x 3



SA070 x 4



PS254L x 1



PS254R x 1



PS178 x 2



PS404 x 2



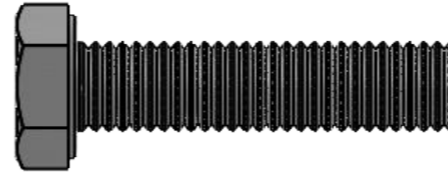
PS047 x 4



PS412 x 2



FS105 (M8 x 55) x 2



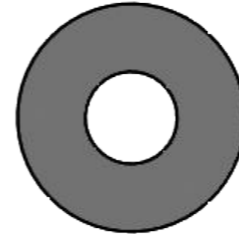
FS061 (M8 x 35) x 2



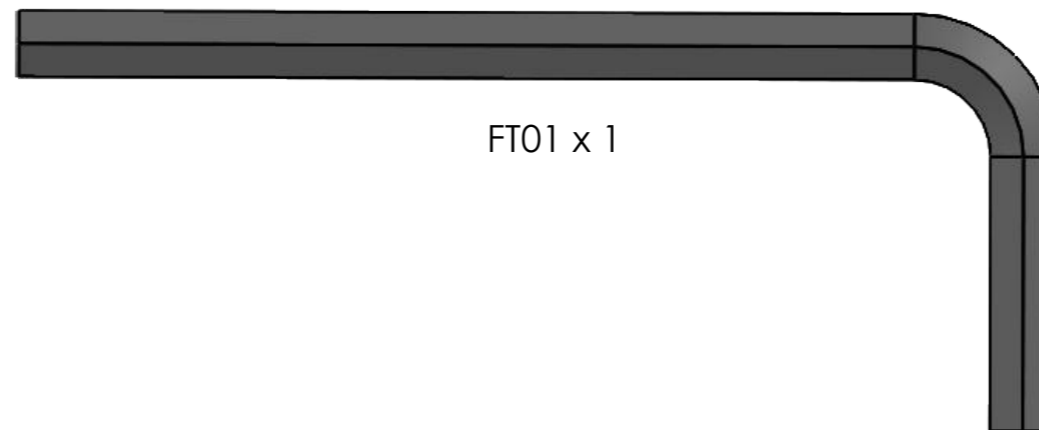
FS062 (M8 x 25) x 2



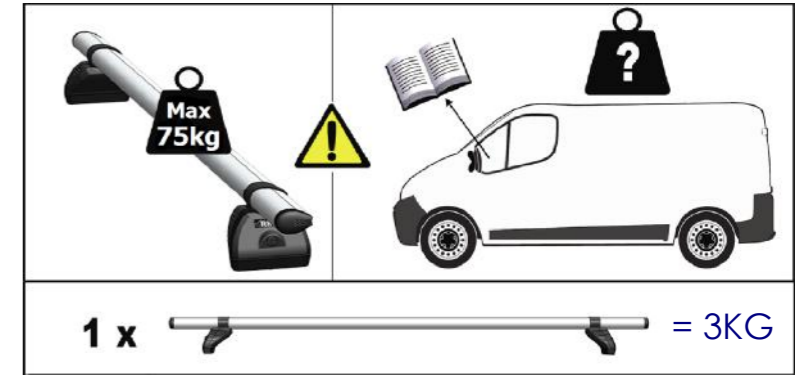
FW009 (M8) x 6



FW002 (M8) x 6



FT01 x 1



CITROEN BERLINGO 2018 -  
PEUGEOT PARTNER 2018 -  
VAUXHALL COMBO 2018 -

**TYPE DESIGNATION FORM A**



13mm x 1

