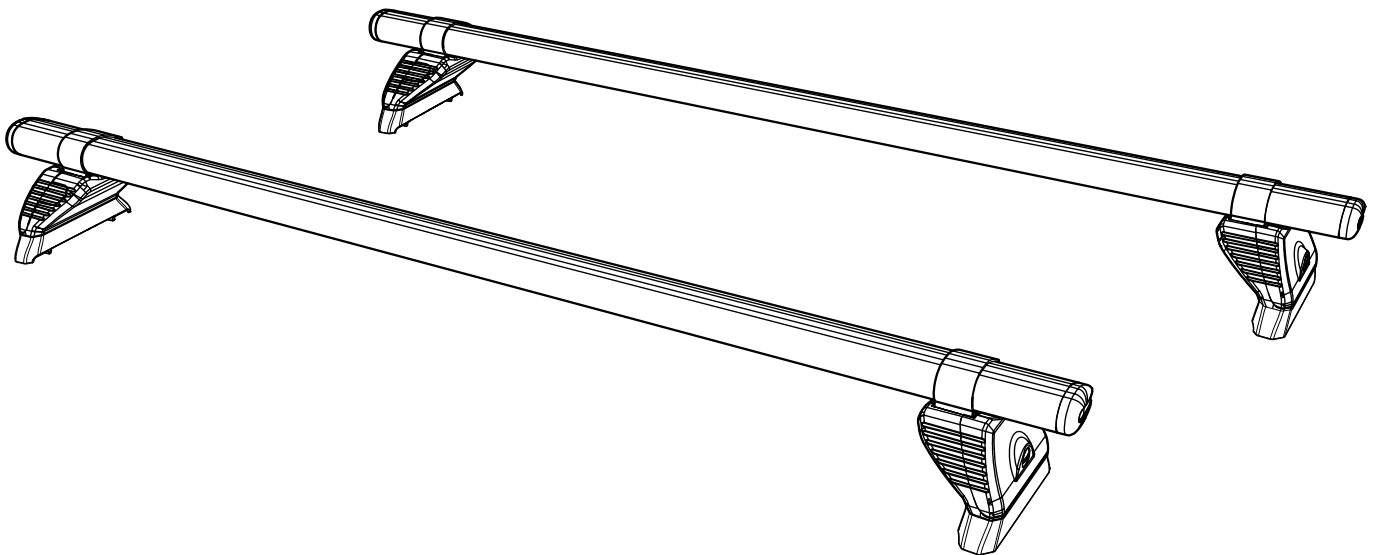


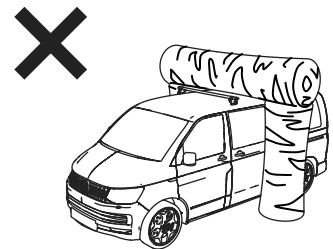
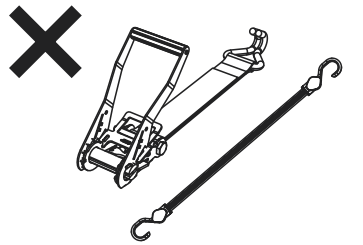
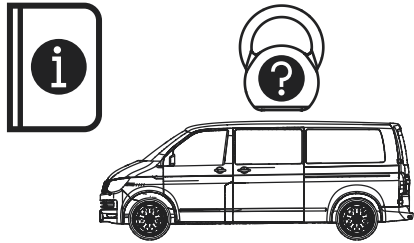
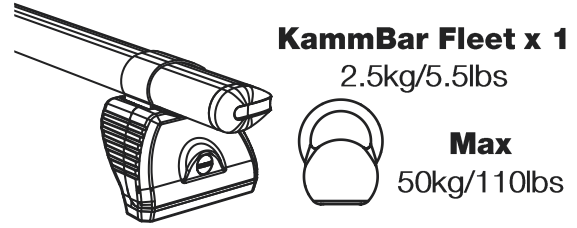
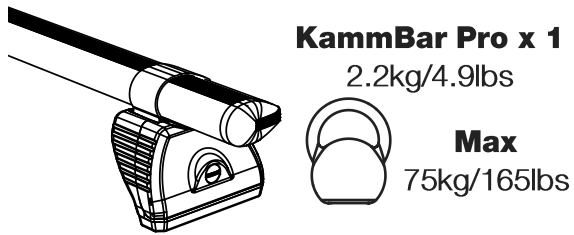
JC2PR/FL KammBar

Instructions

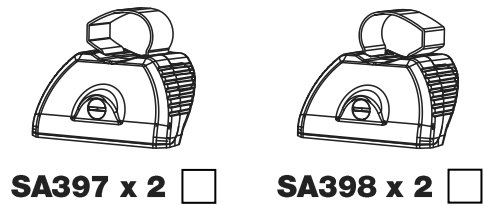
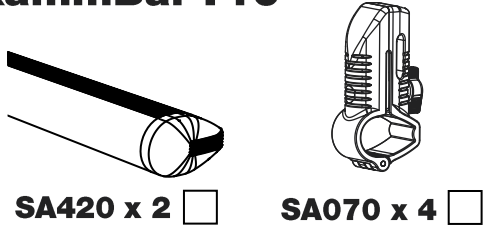


CITY CRASH (✓)

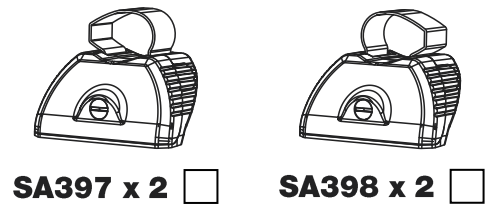
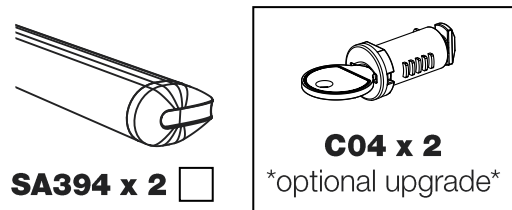
According to ISO/ PAS 11154:2006



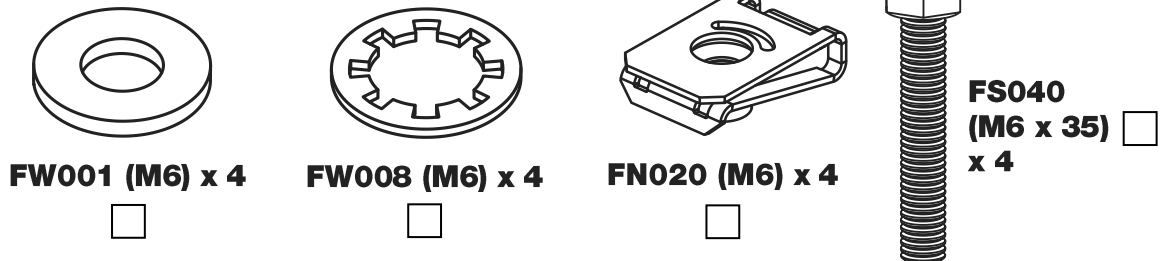
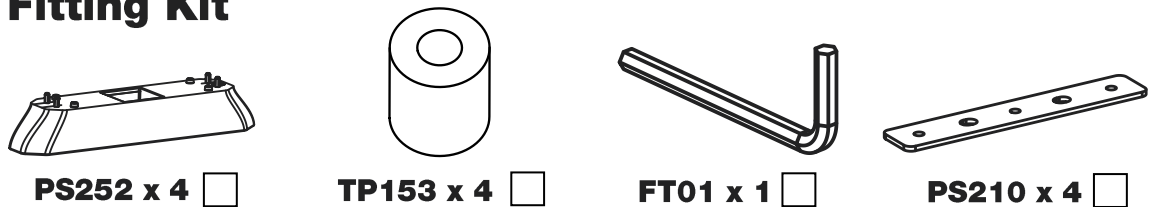
KammBar Pro



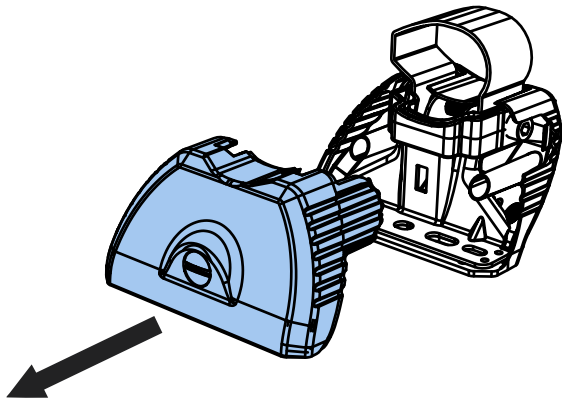
KammBar Fleet



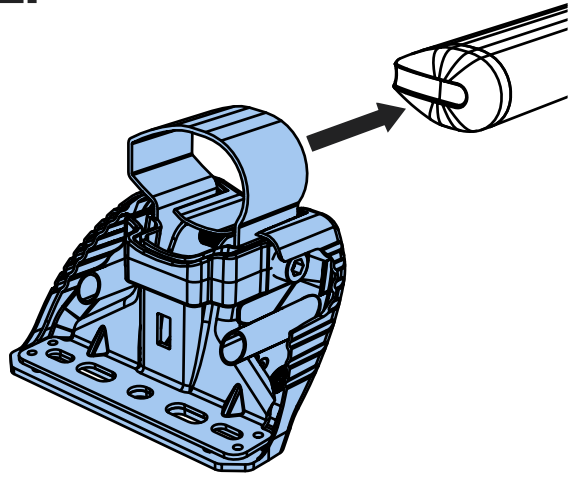
Fitting Kit



1.



2.

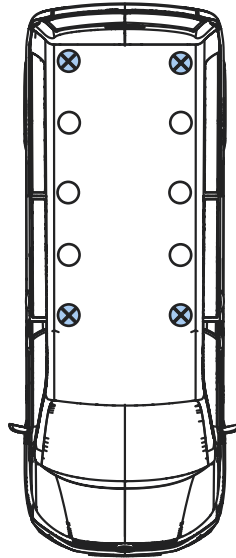


3.



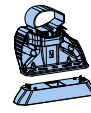
SA397
PS252

SA398
PS252

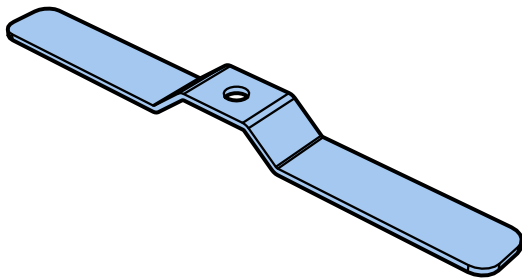


SA397
PS252

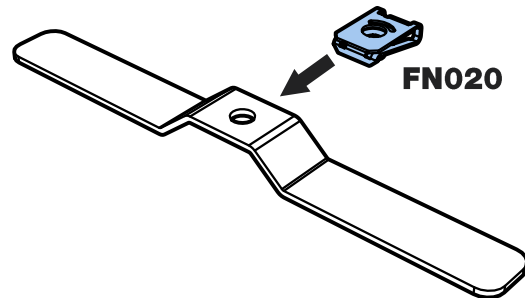
SA398
PS252

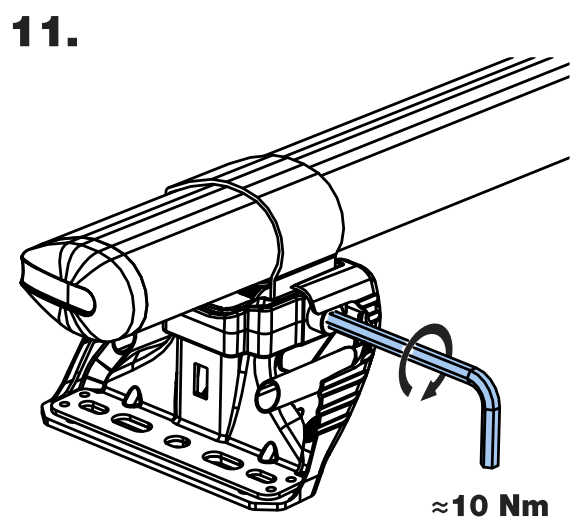
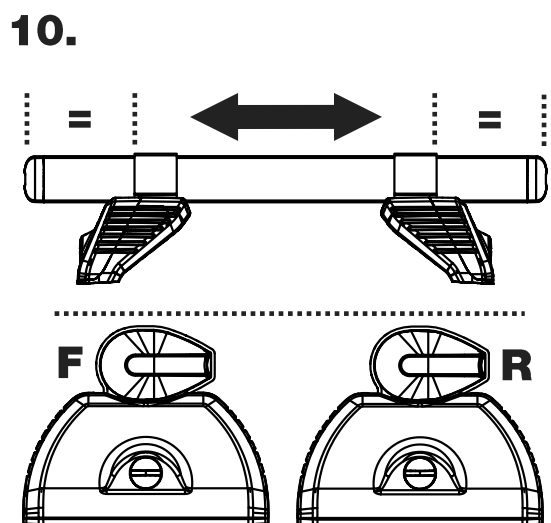
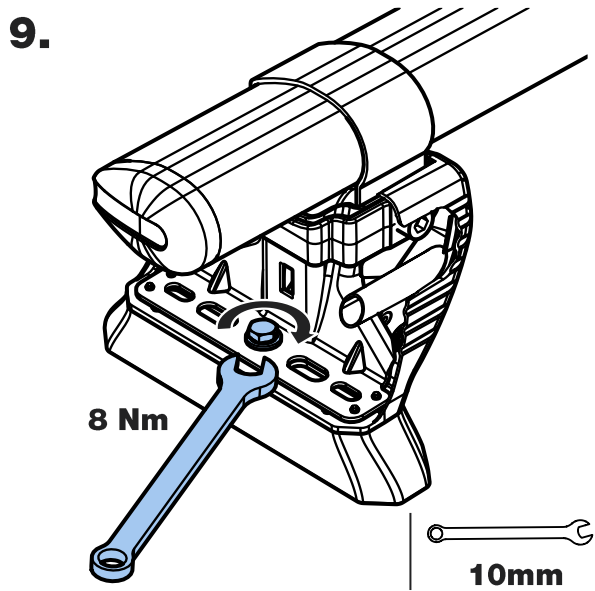
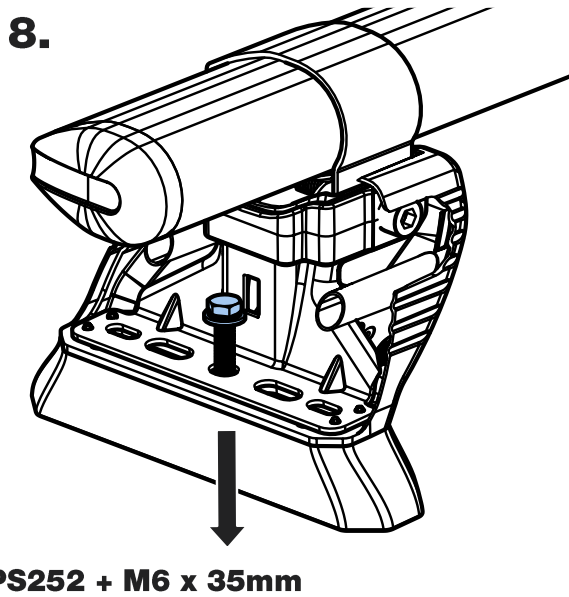
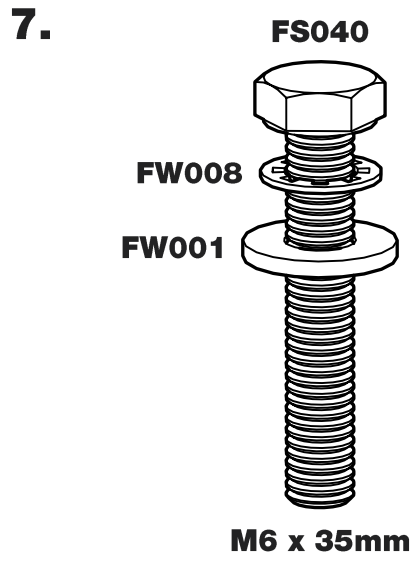
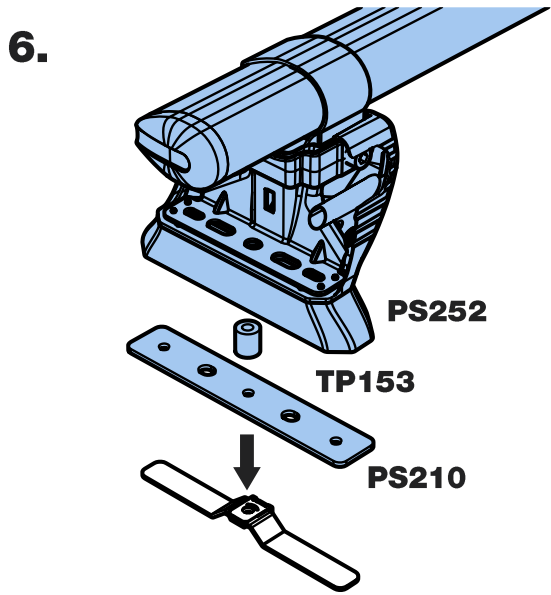


4.

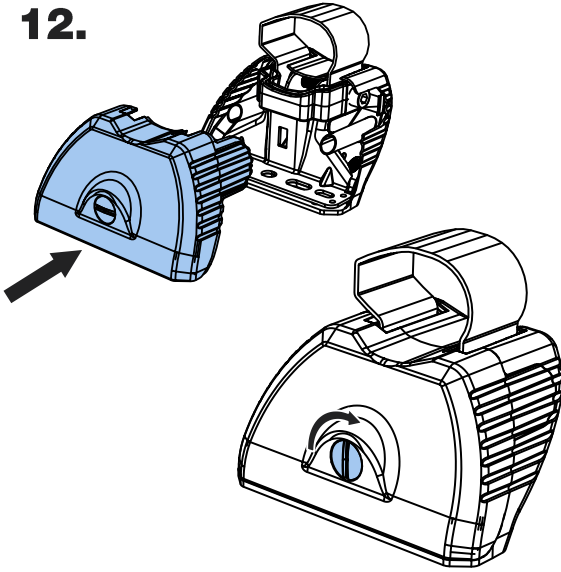


5.

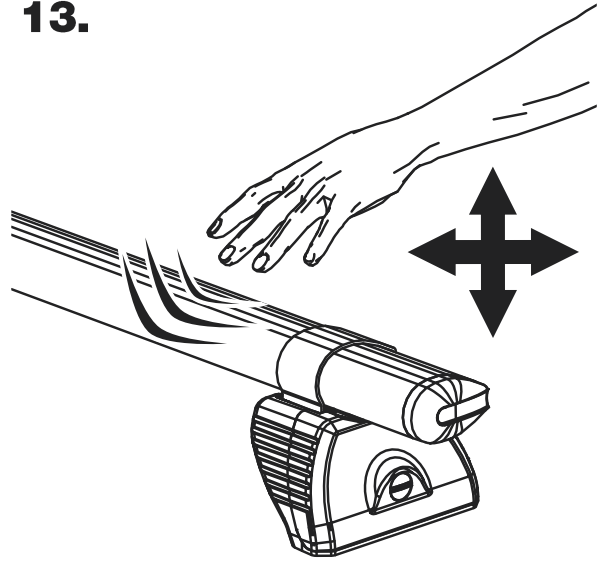




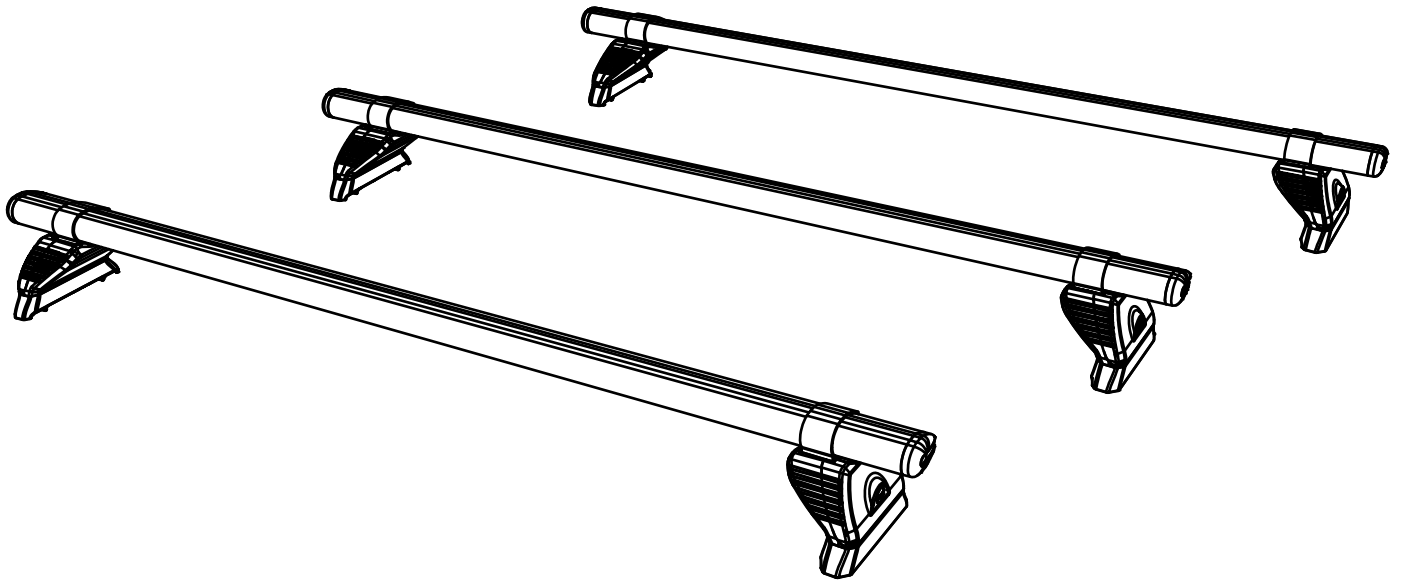
12.



13.

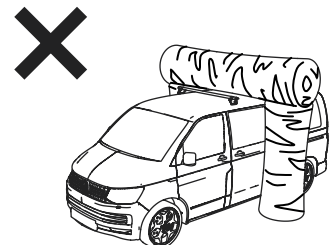
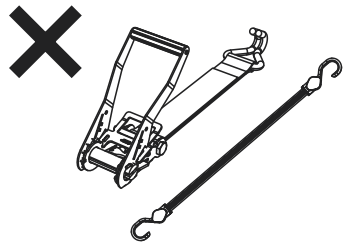
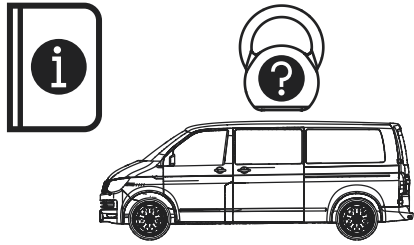
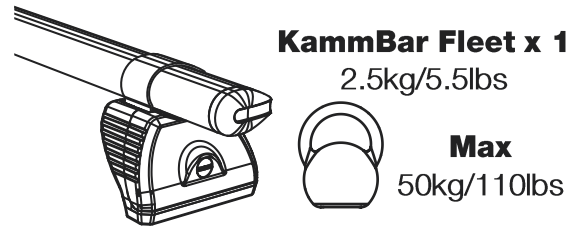


JC3PR/FL KammBar Instructions

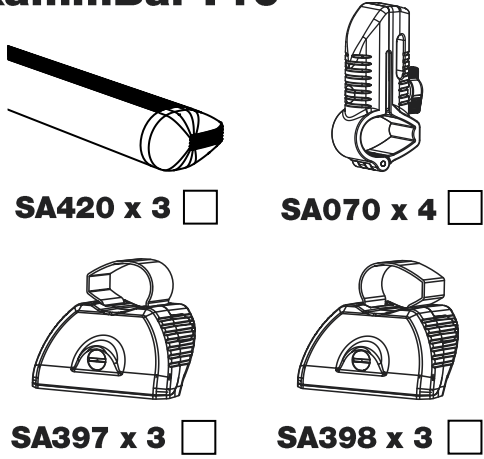


CITY CRASH (✓)

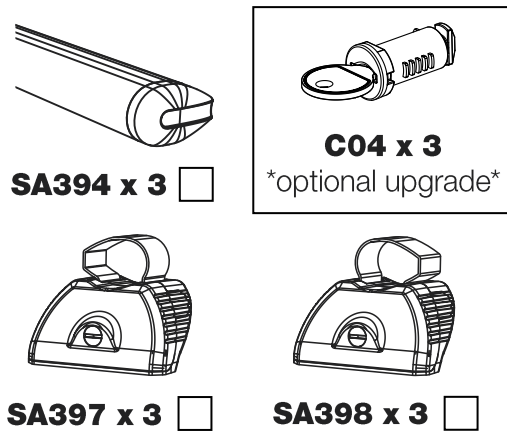
According to ISO/ PAS 11154:2006



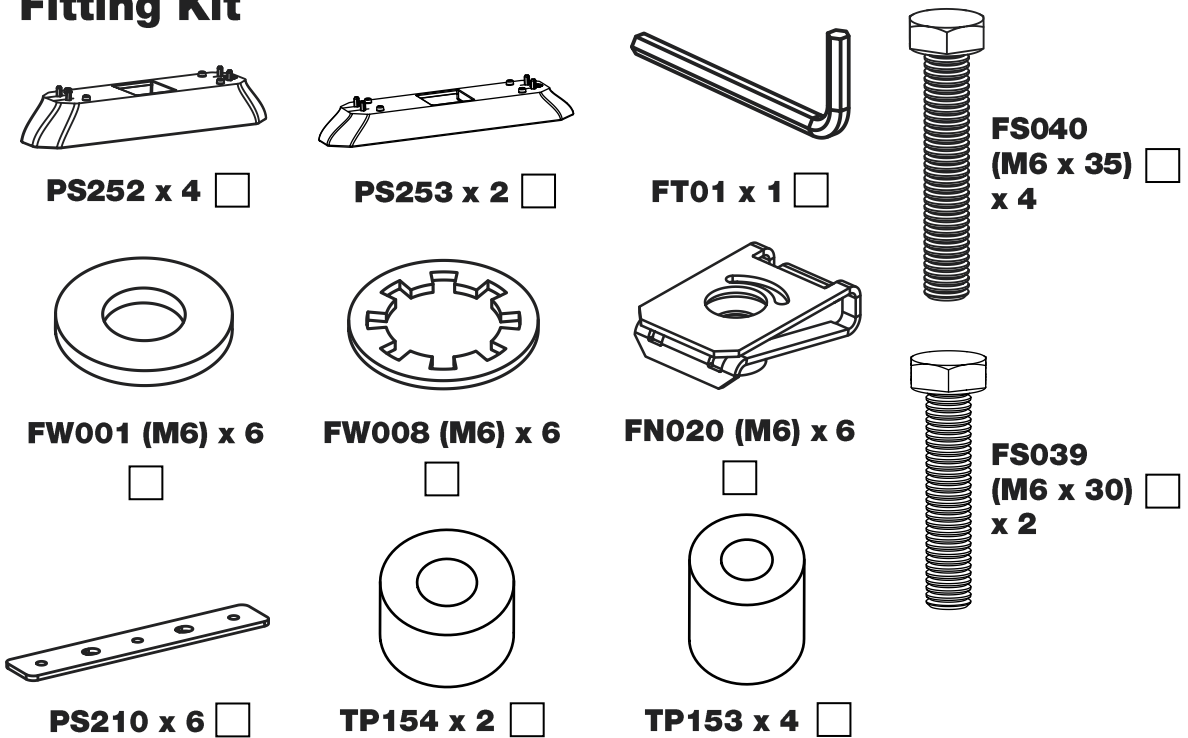
KammBar Pro



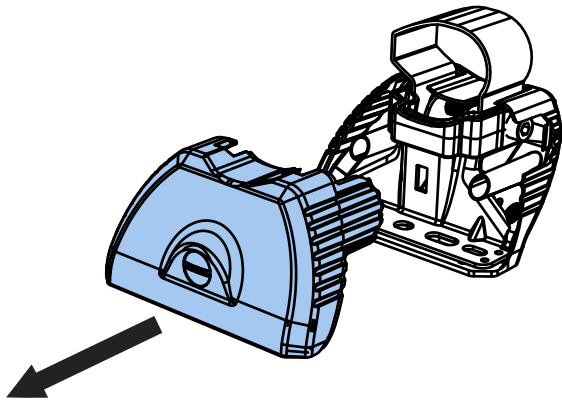
KammBar Fleet



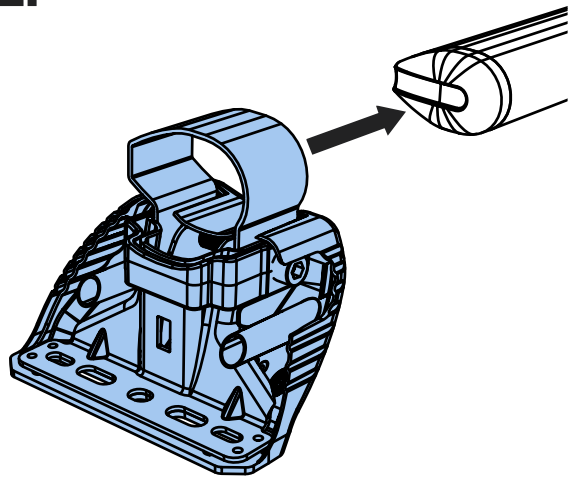
Fitting Kit



1.



2.



3.



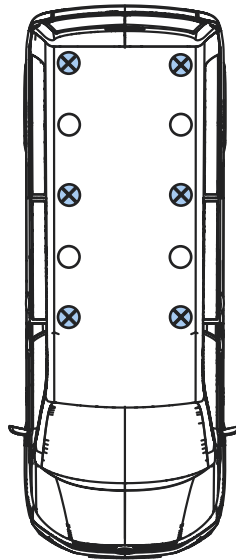
SA397
PS252



SA397
PS253



SA397
PS252



SA398
PS252



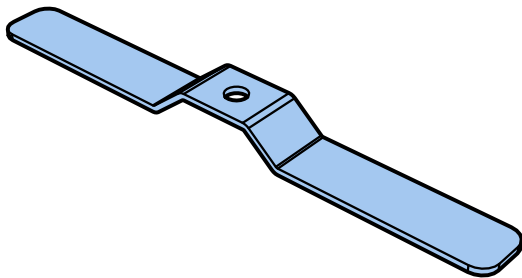
SA398
PS253



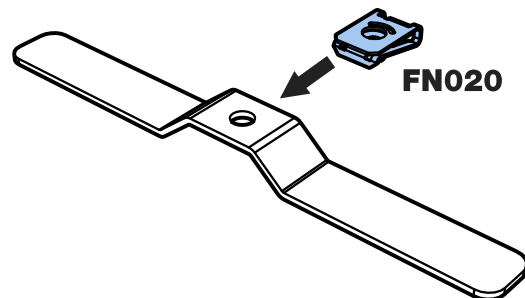
SA398
PS252

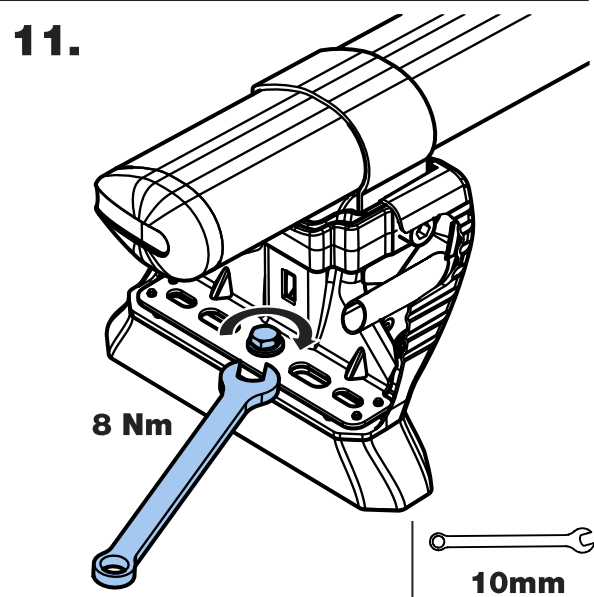
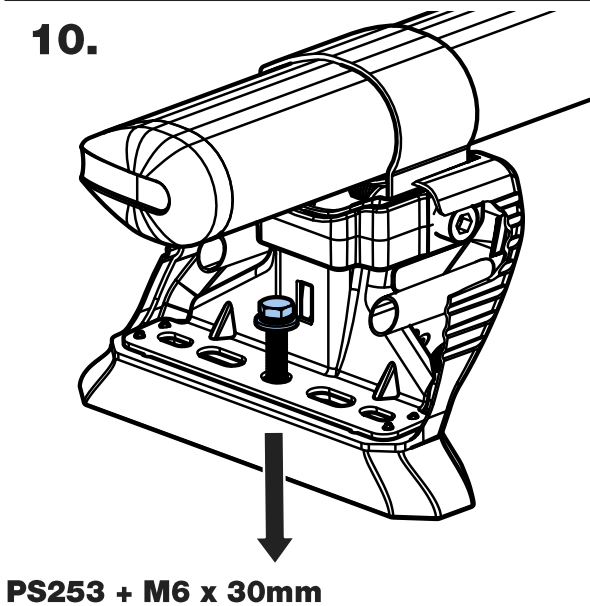
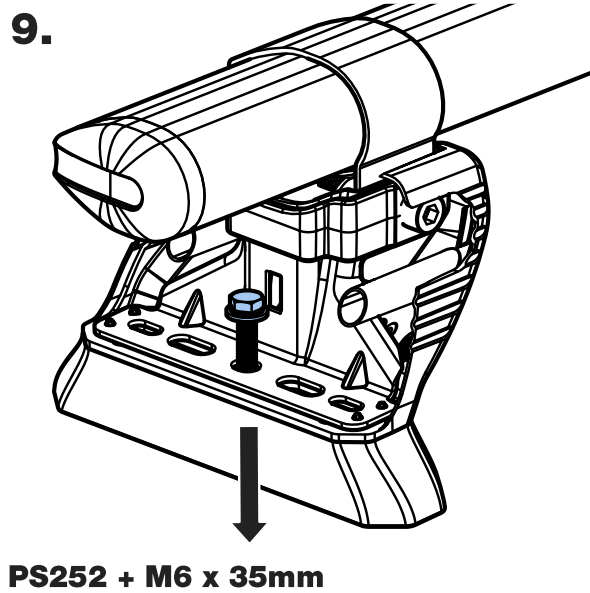
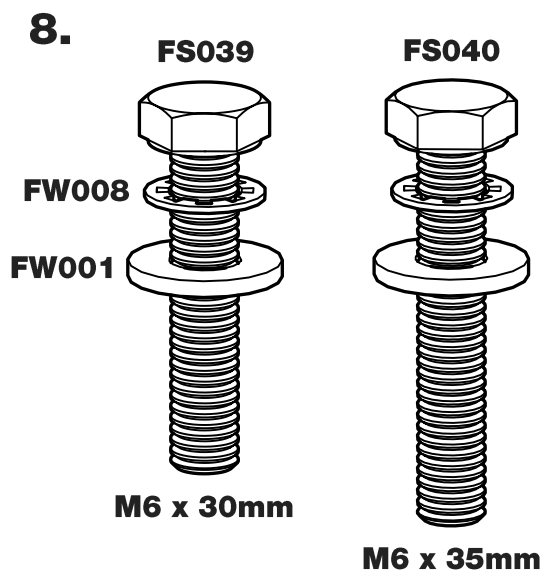
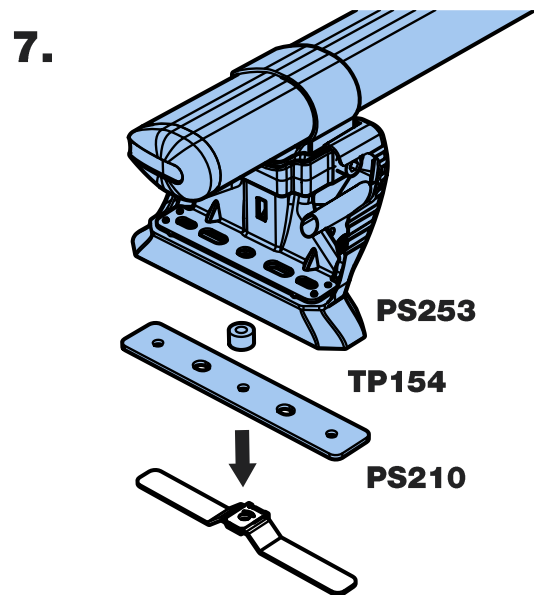
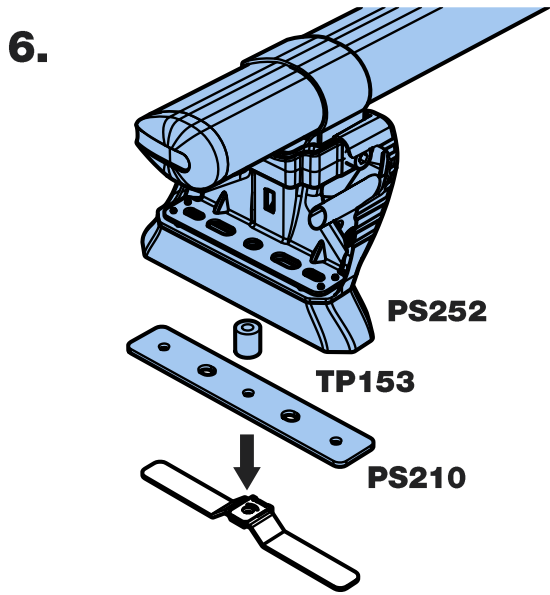


4.

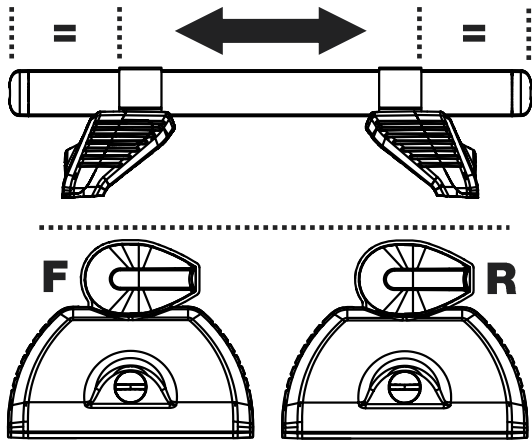


5.

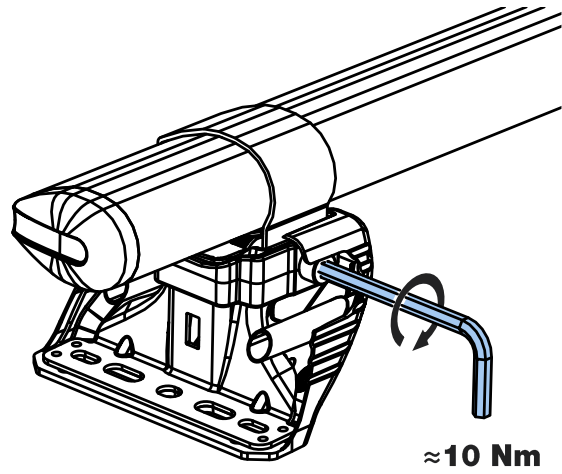




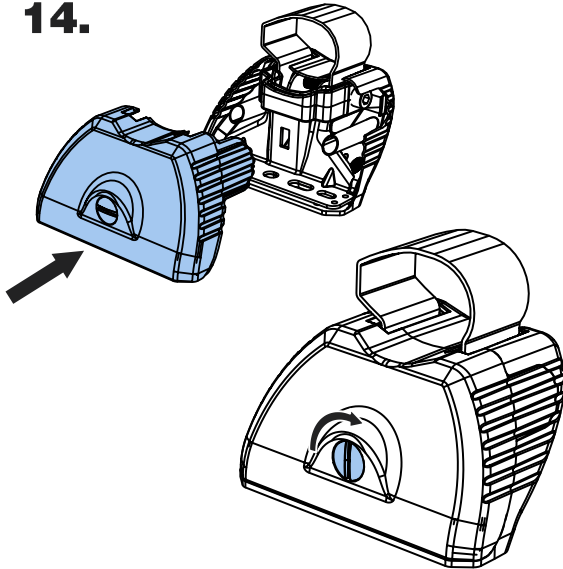
12.



13.



14.



15.

