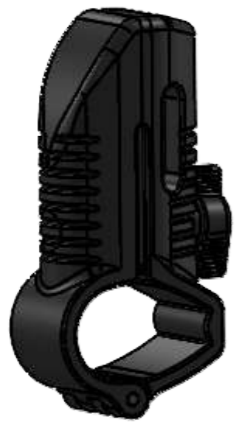




SA055 x 2



SA056 x 2



SA070 x 4



PS176 x 4



PS023 x 4



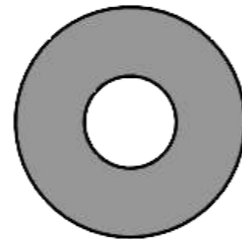
MS390 x 2



FB001 (M6 x 55) x 2



FS105 (M8 x 55) x 2



FW002 (M8) x 2



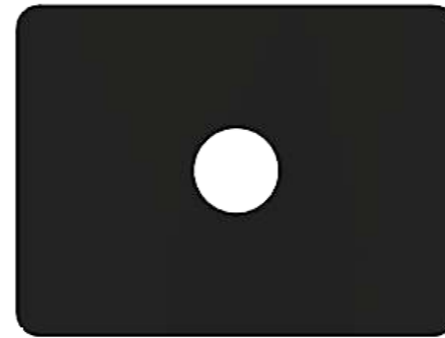
FW001 (M6) x 2



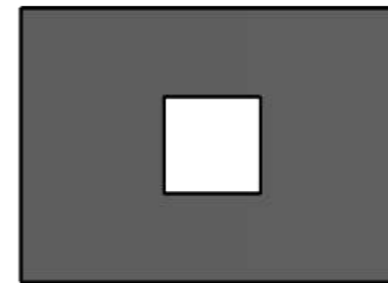
FW008 (M6) x 2



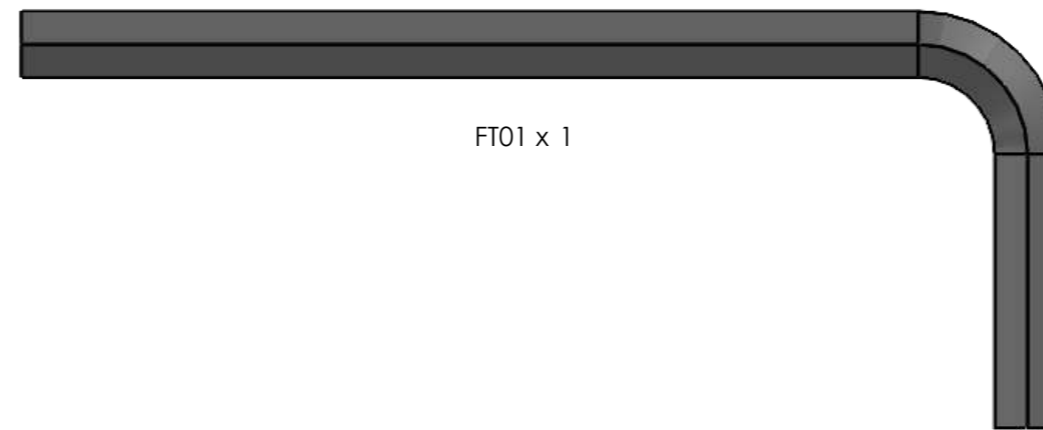
FN006 (M8) x 2



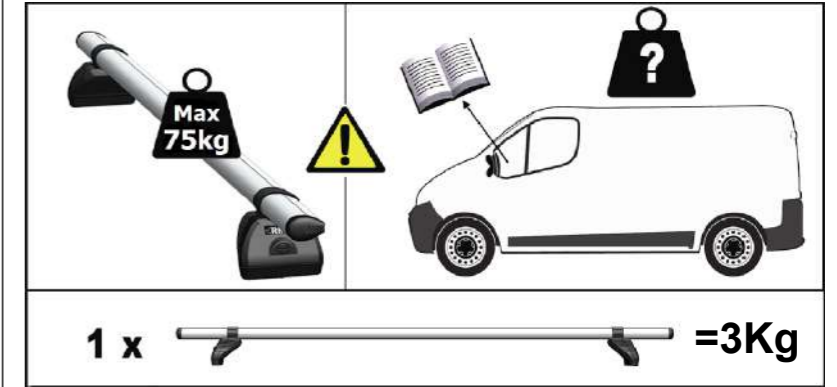
PS020 x 2



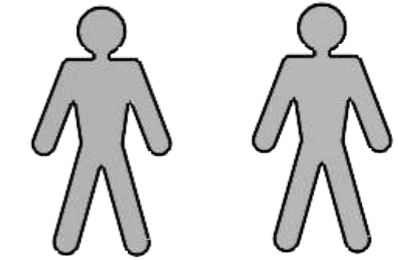
MS209 x 2



FT01 x 1



FORD TRANSIT CONNECT 2014-
TYPE DESIGNATION FORM A



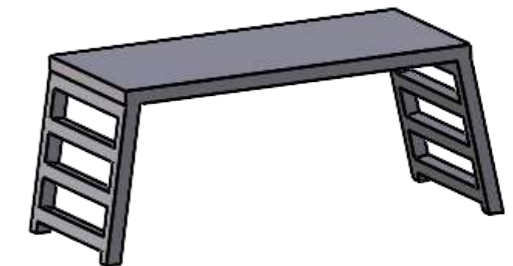
x 2

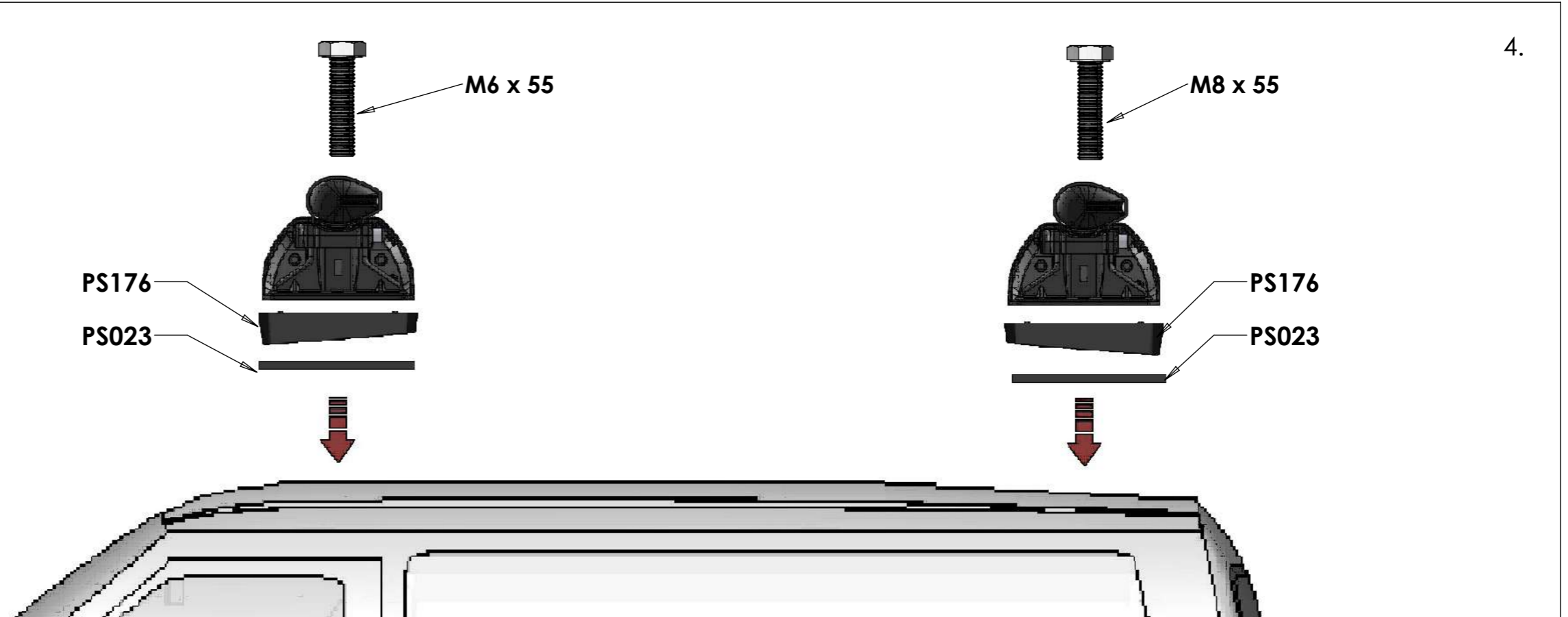
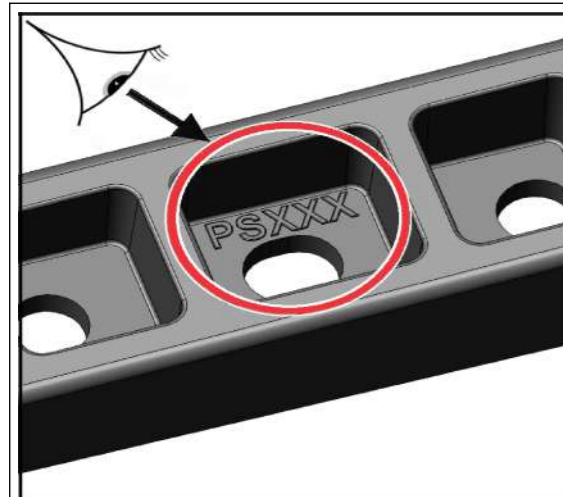
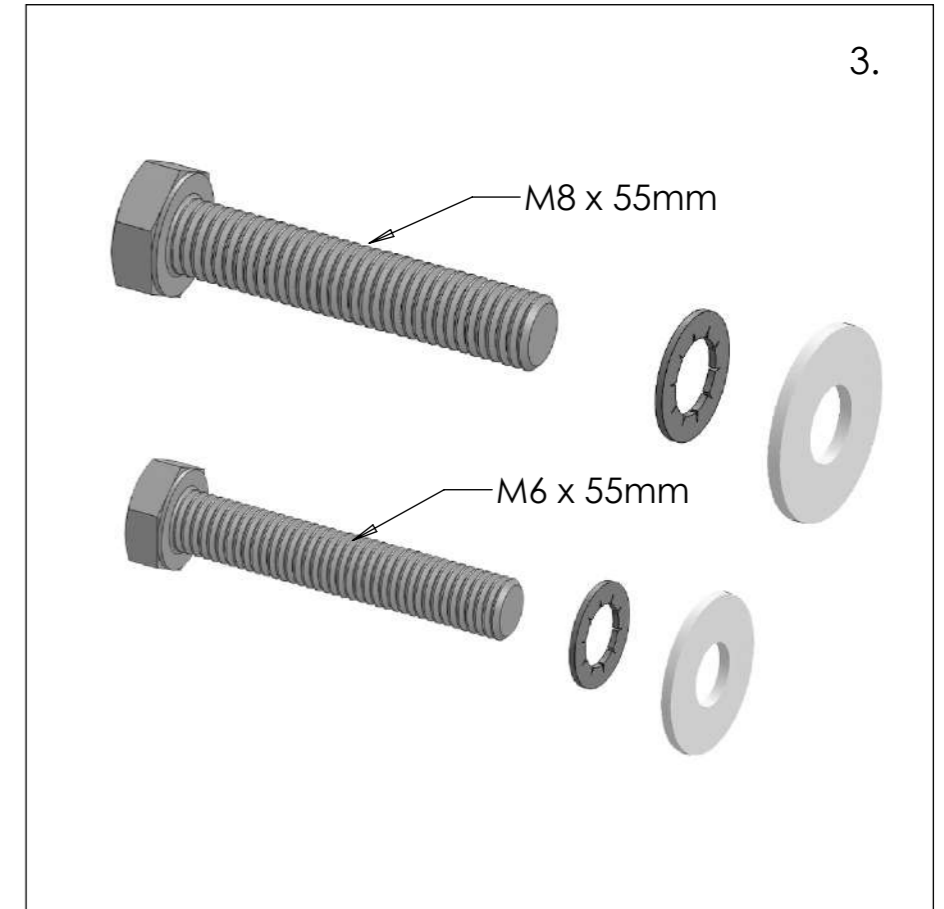
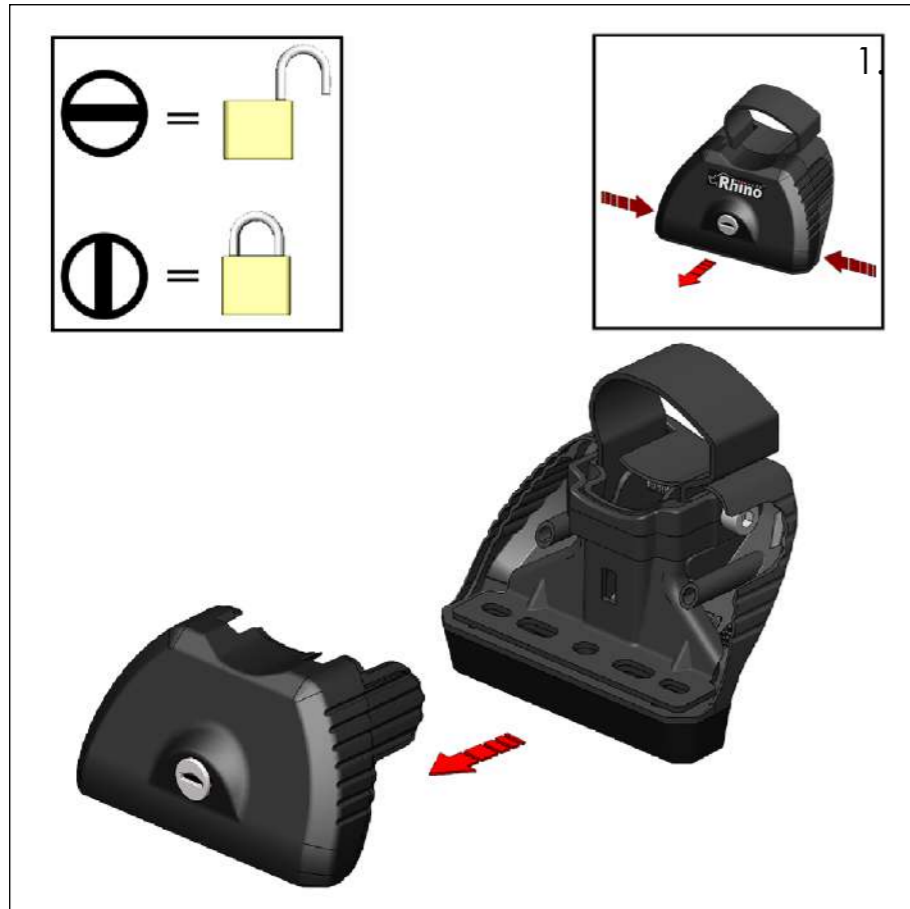


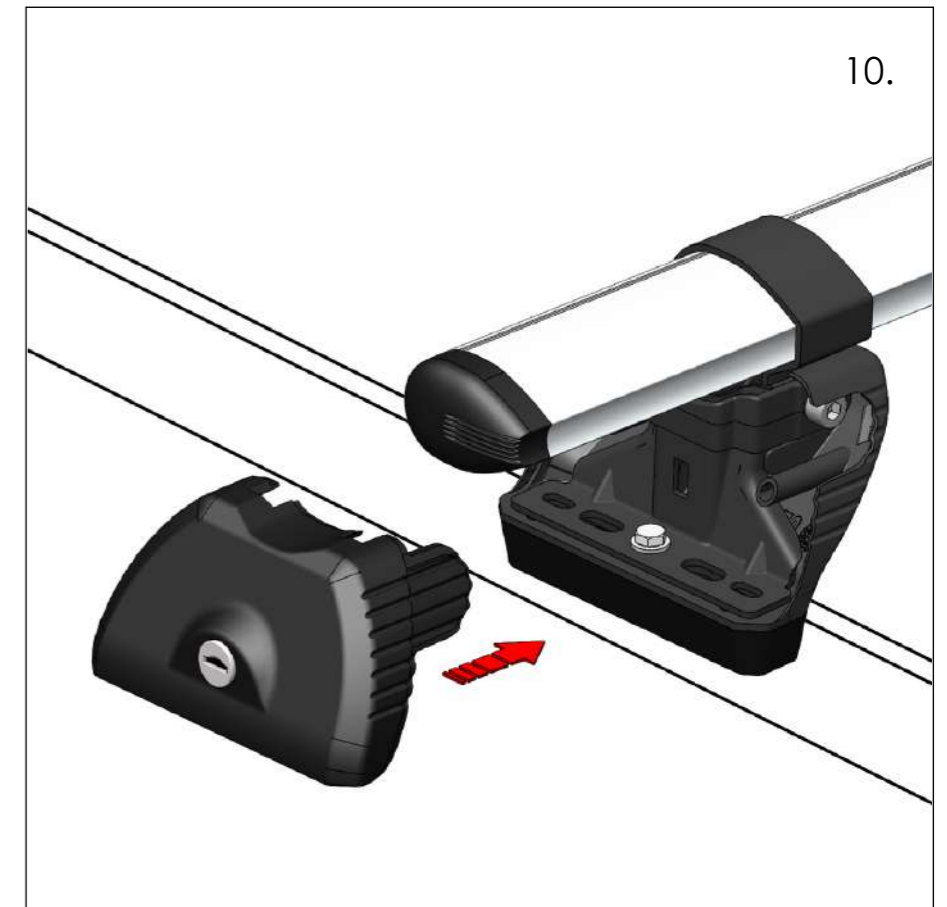
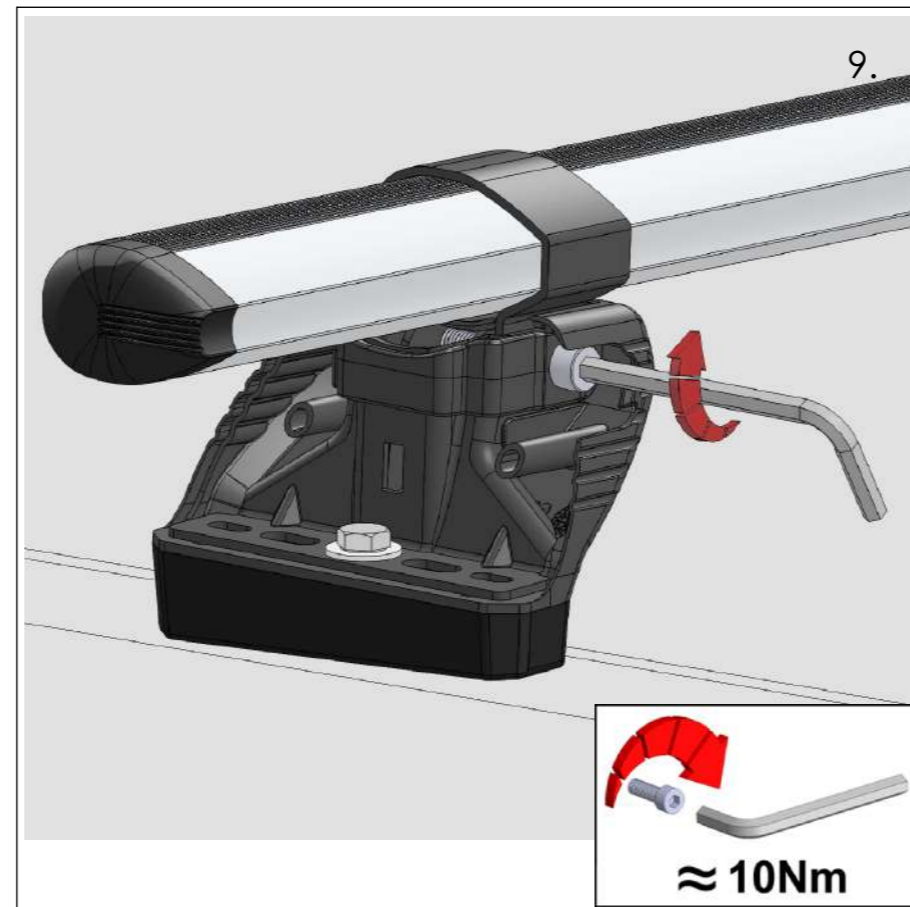
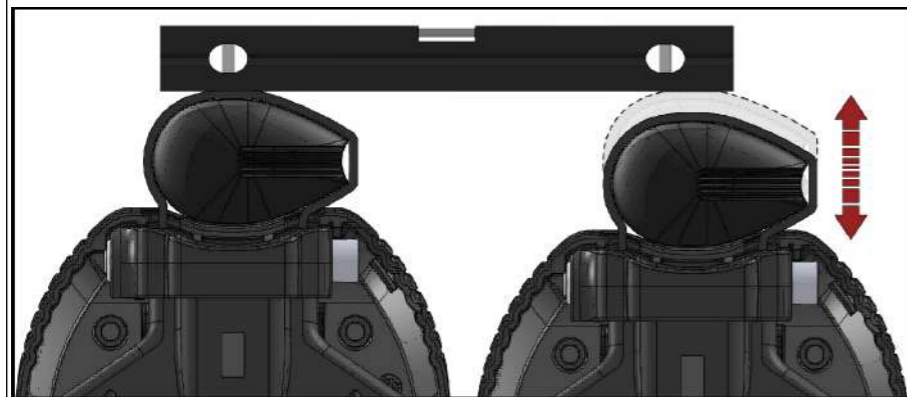
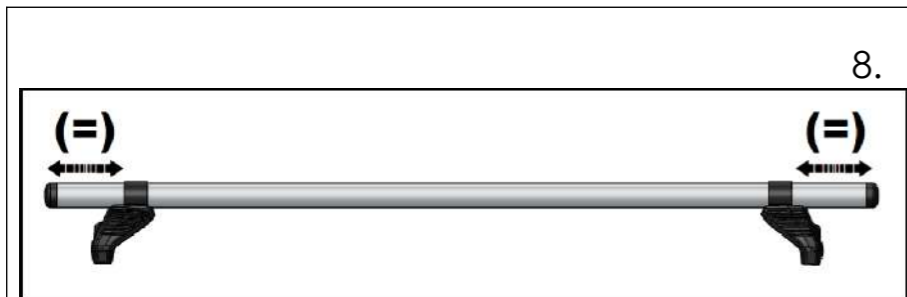
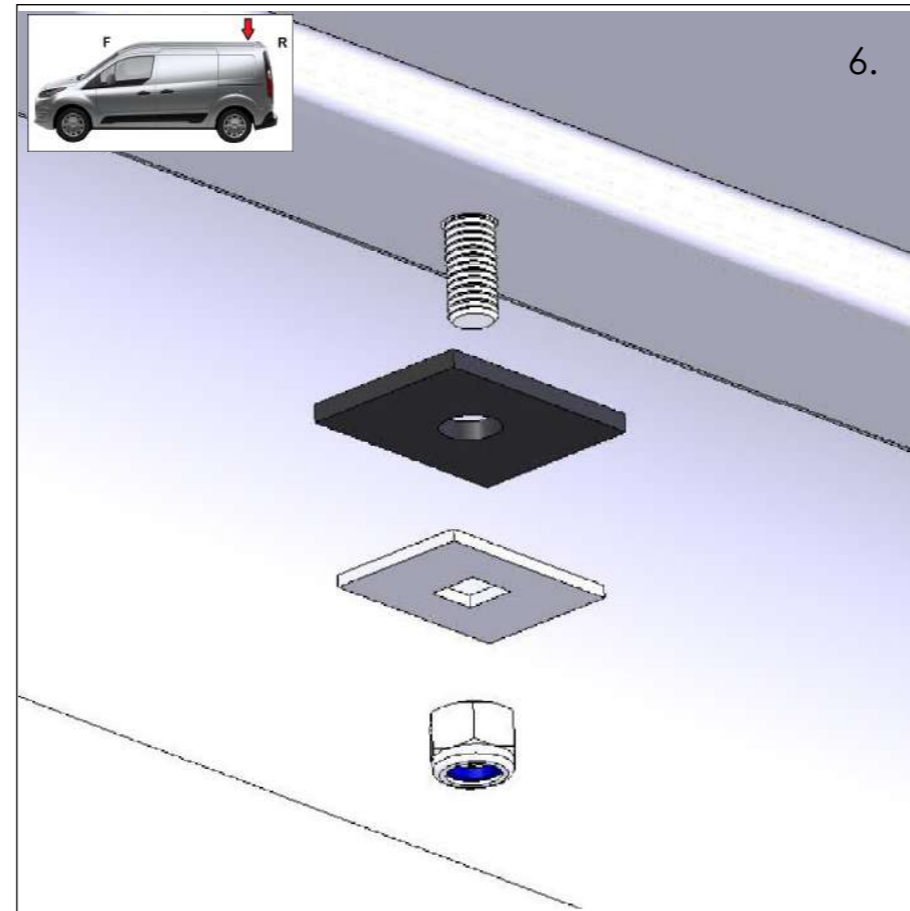
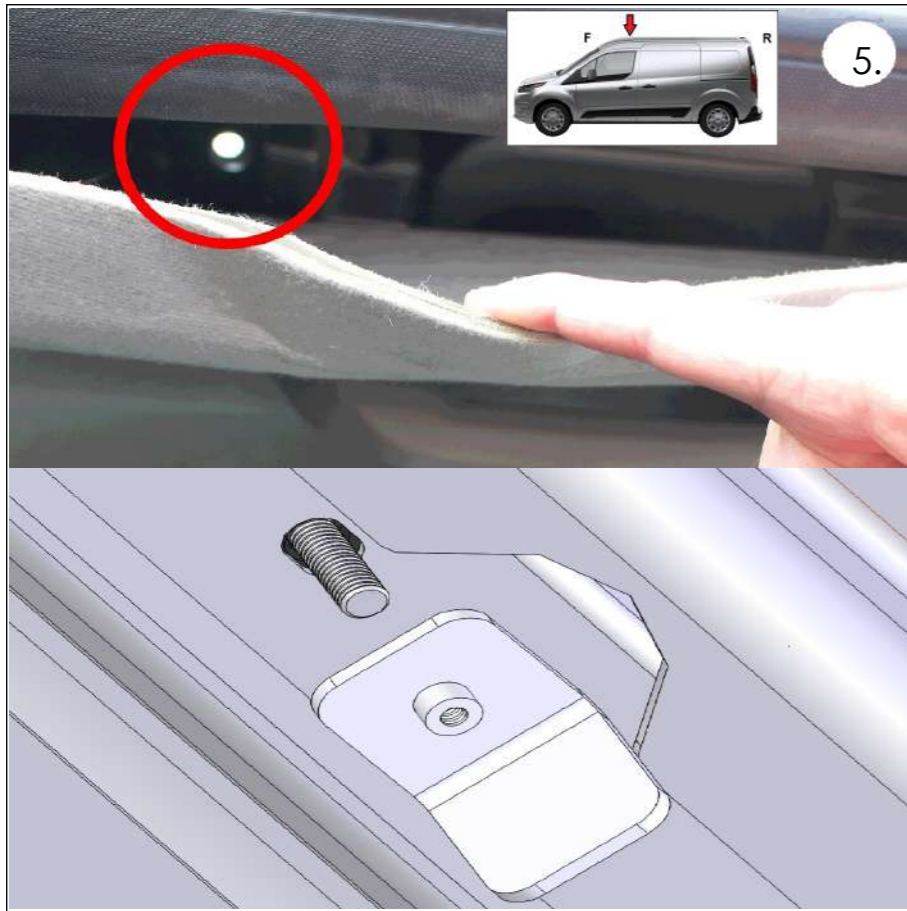
13mm x 2

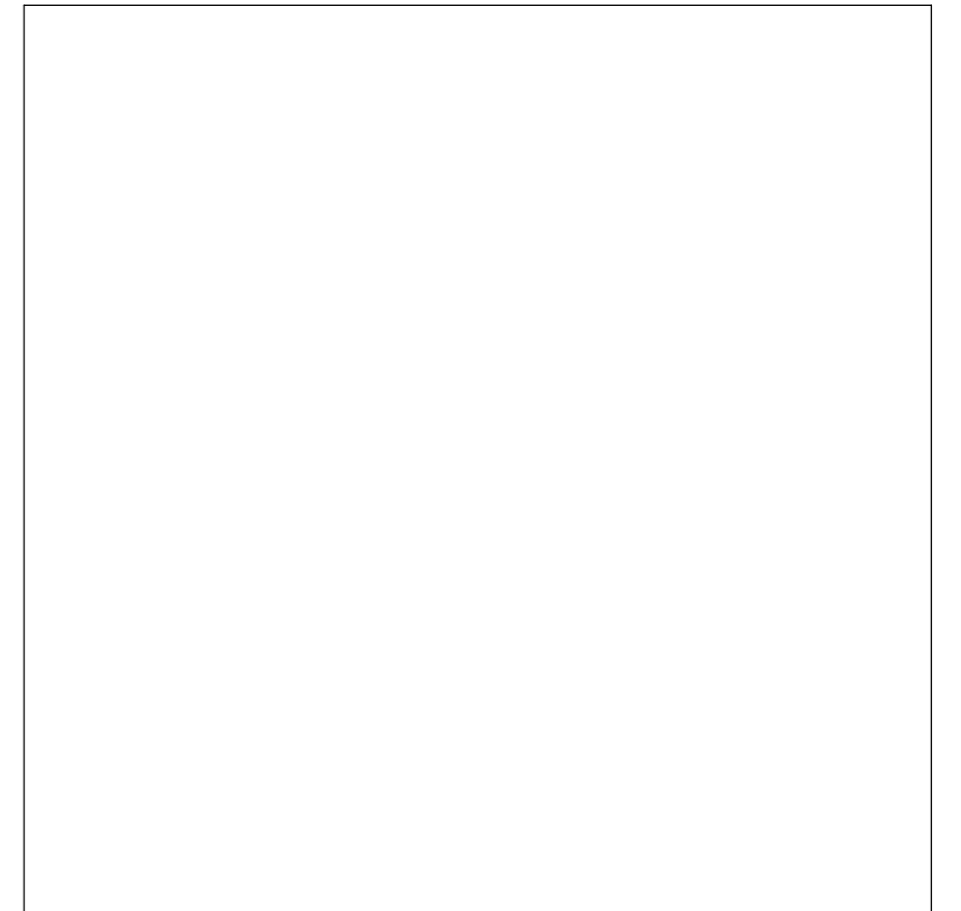
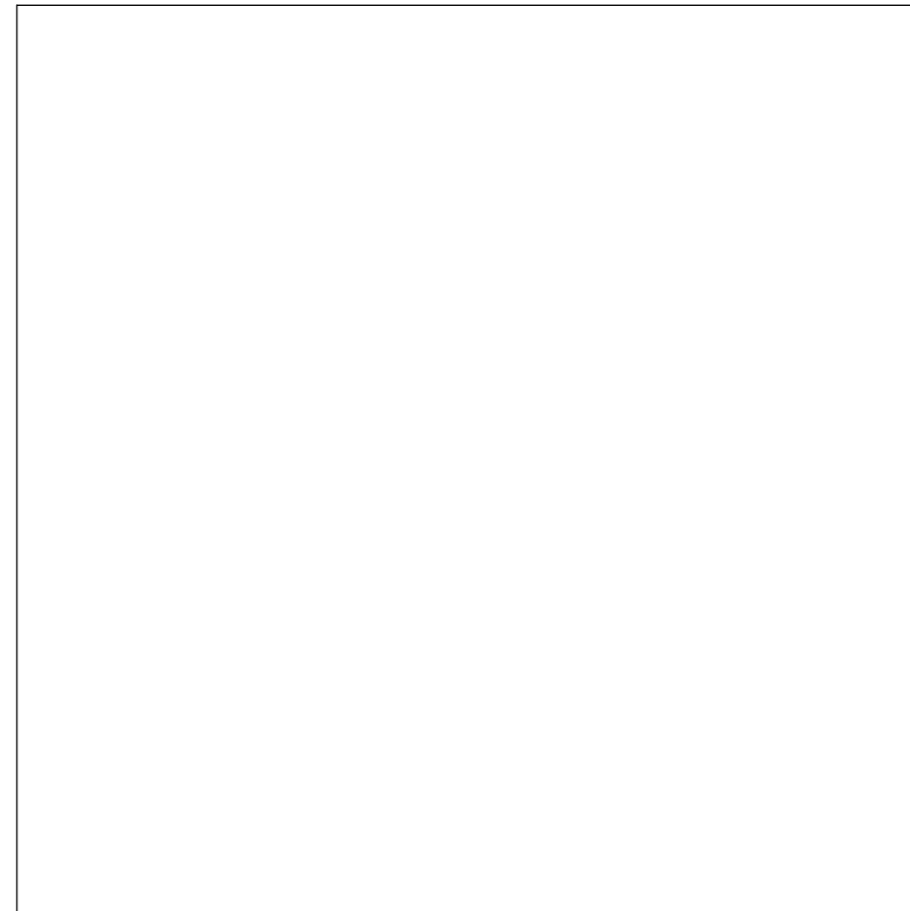
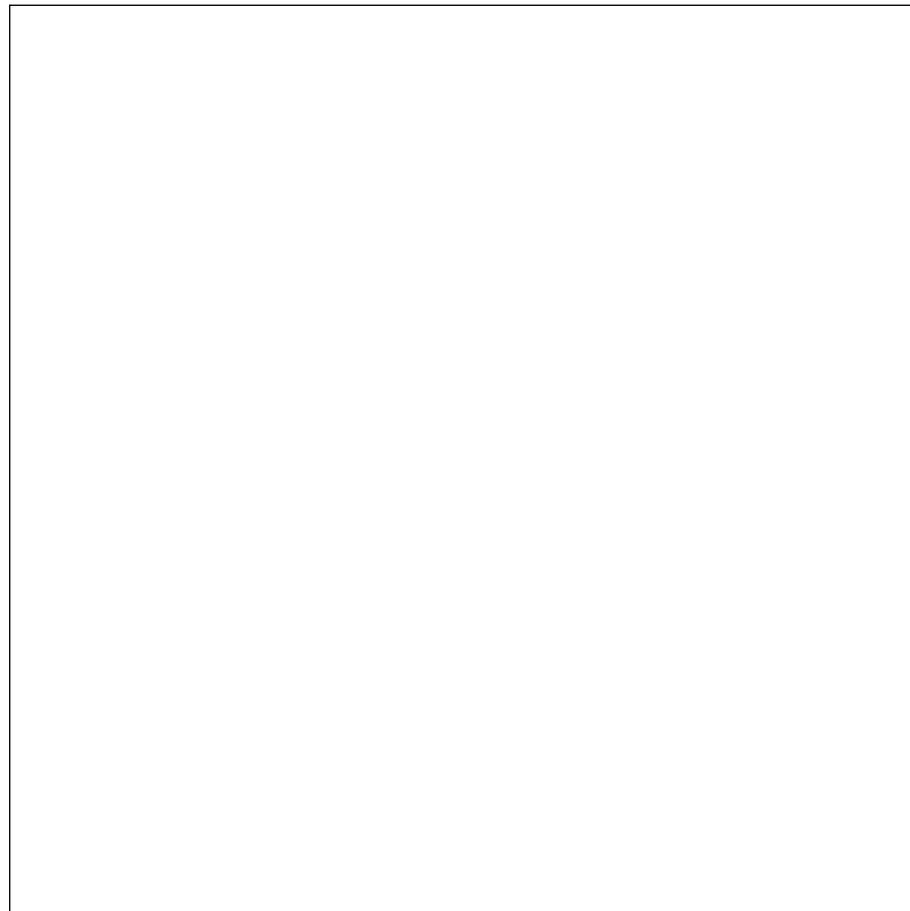
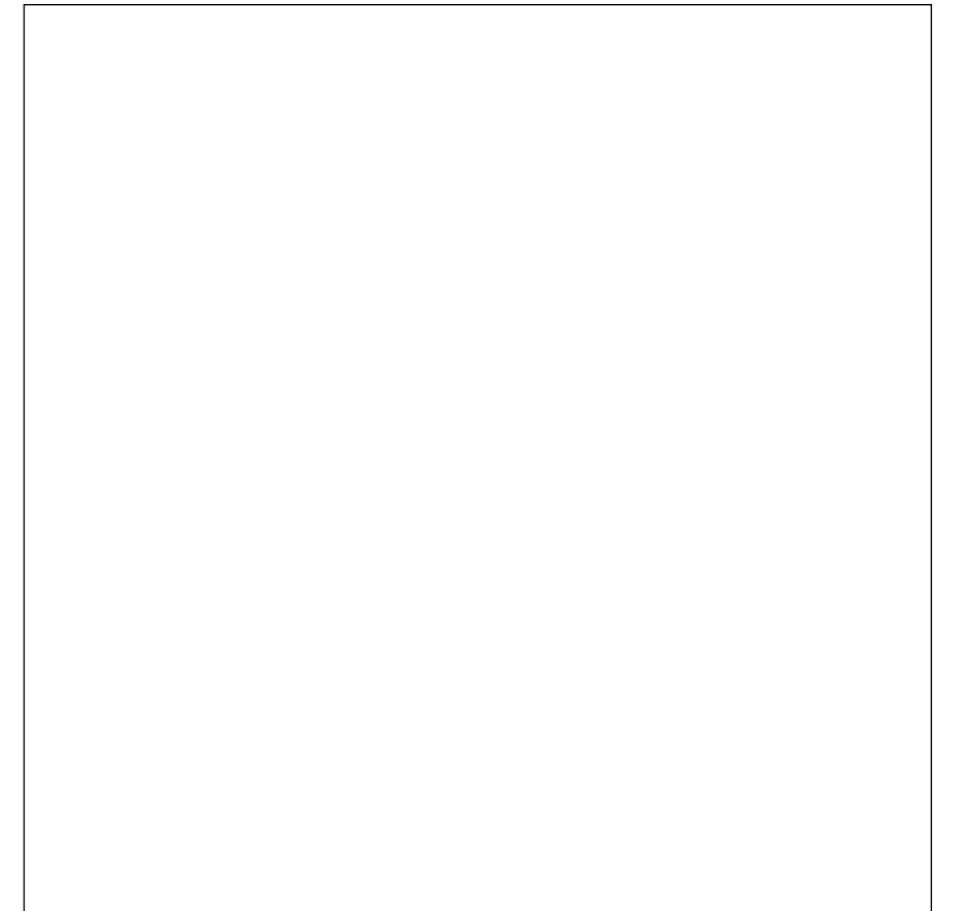
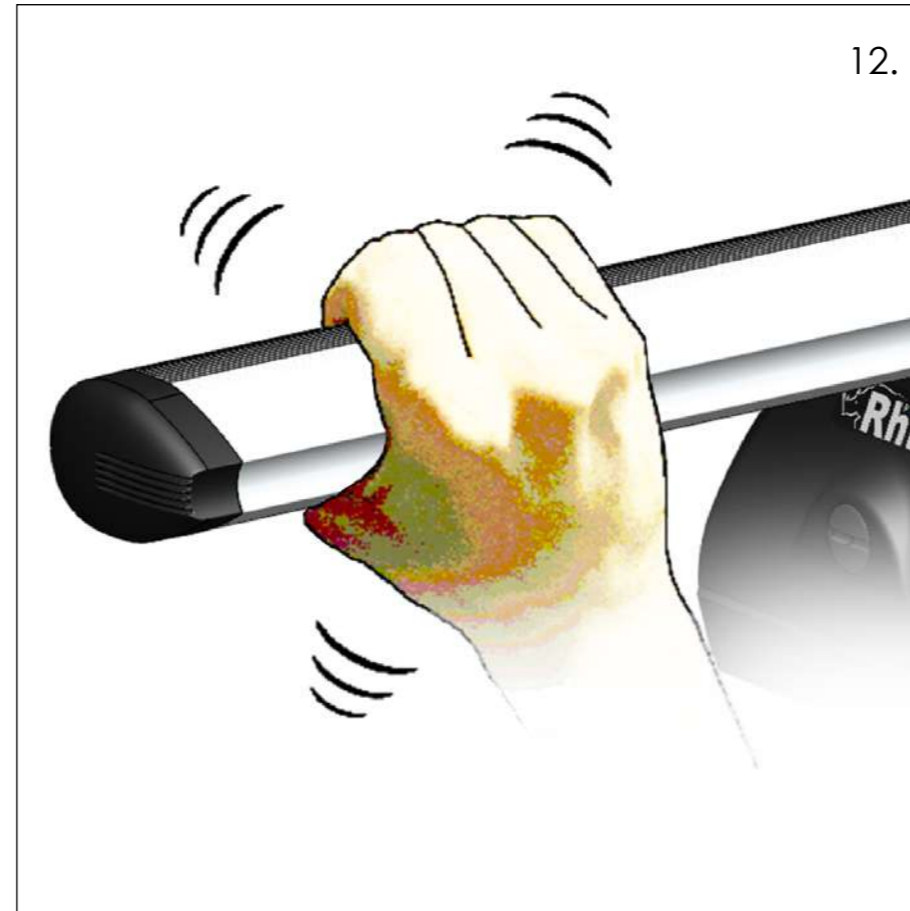
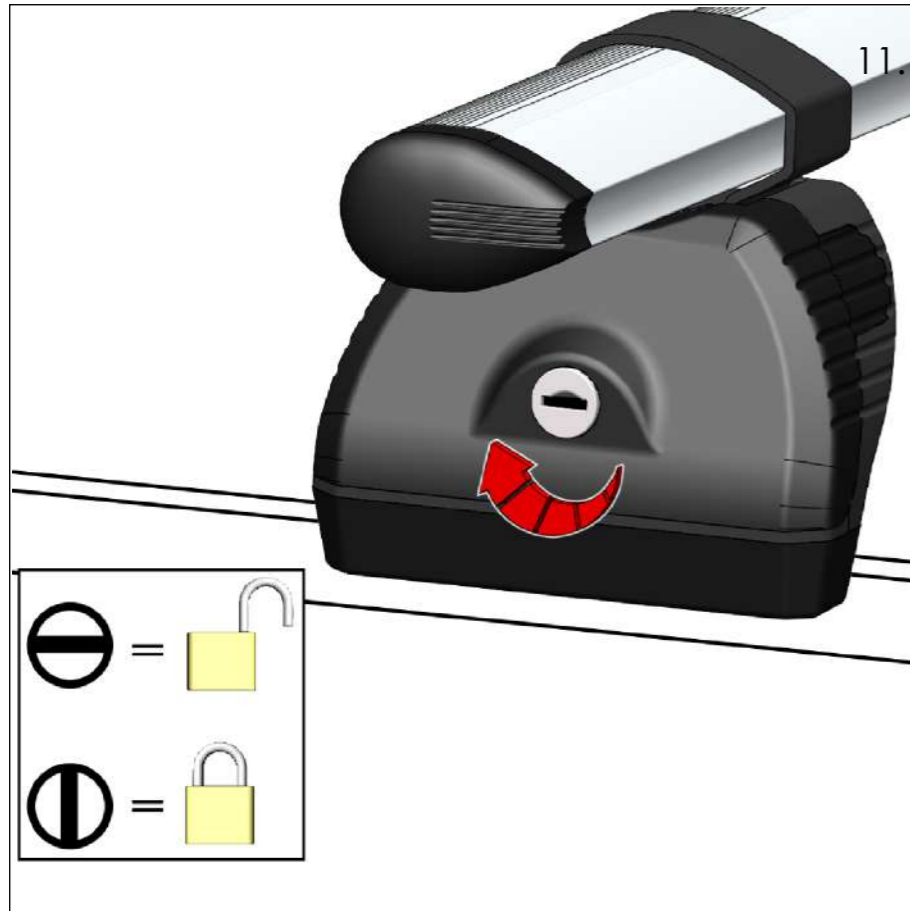


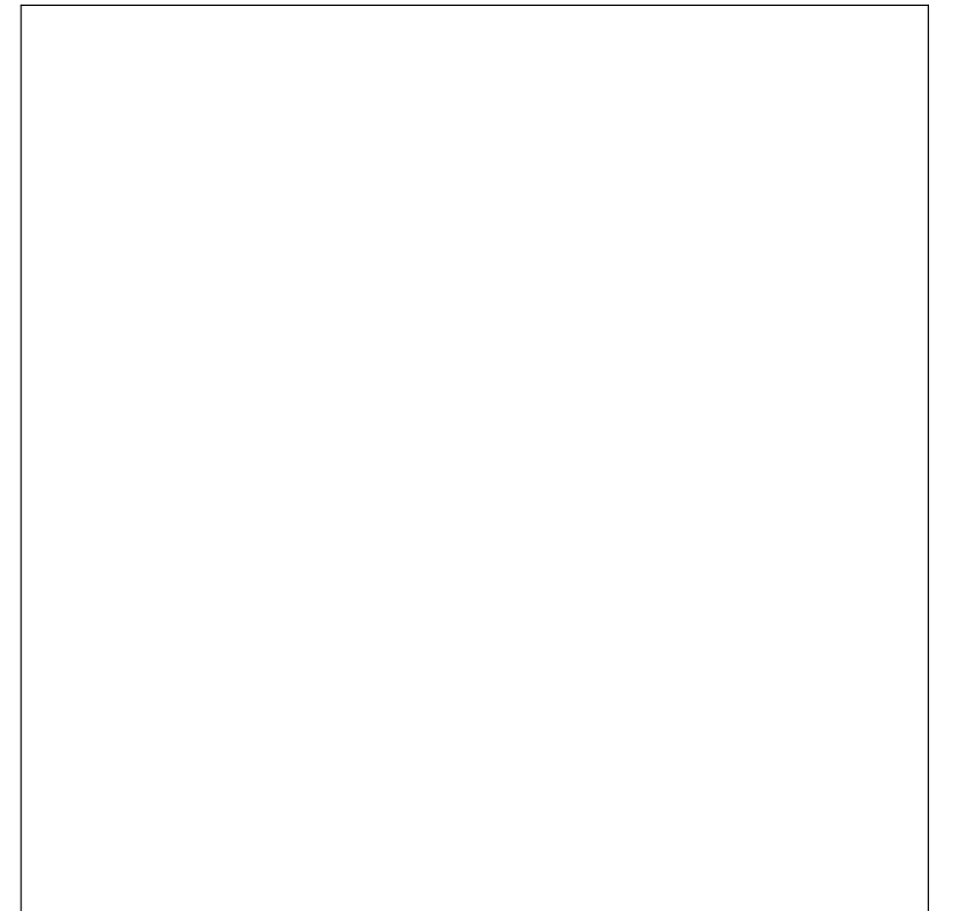
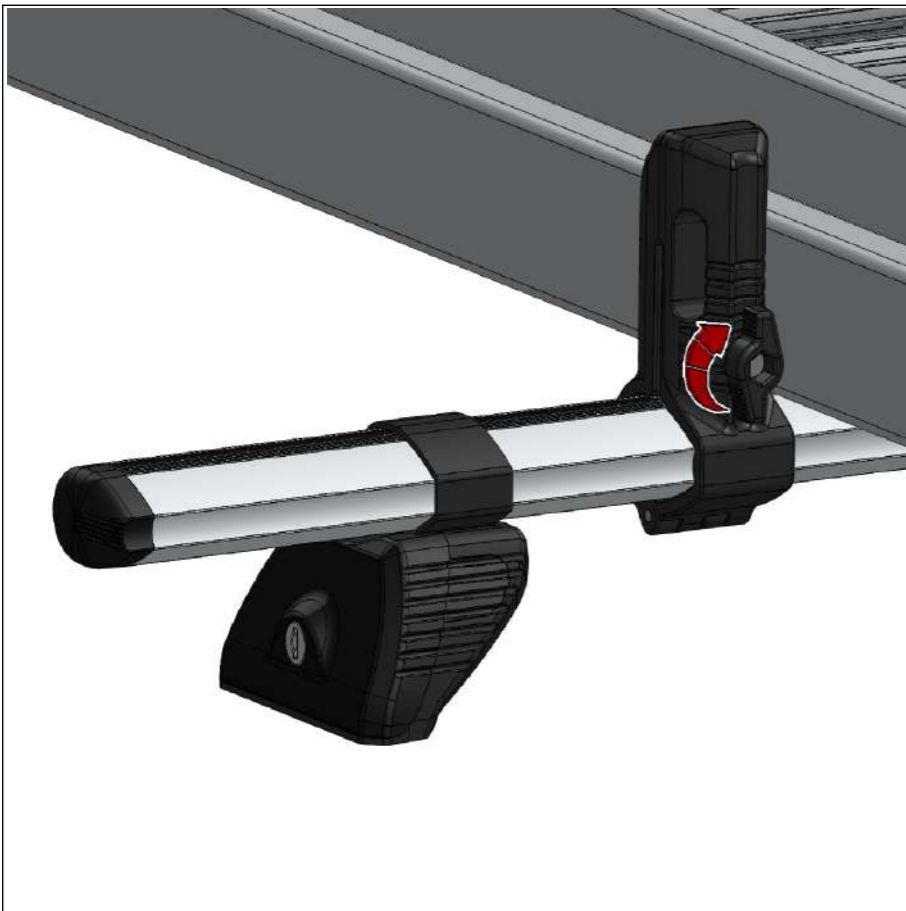
10mm x 1









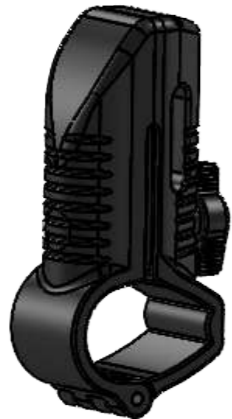




SA055 x 3



SA056 x 3



SA070 x 4



PS176 x 4



PS178 x 2



MS390 x 2



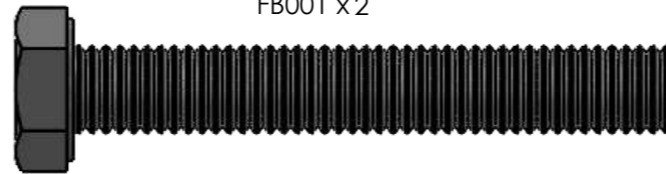
PS023 x 6



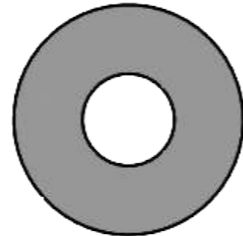
FS066 x 2



FB001 x 2



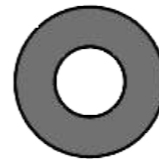
FS105 x 2



FW002 x 4



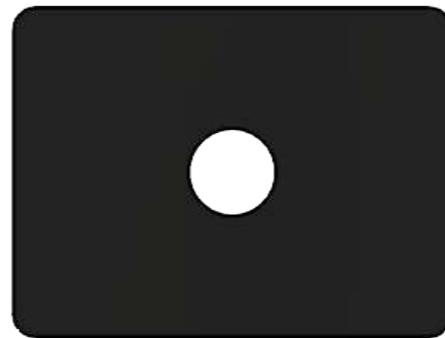
FN006 x 4



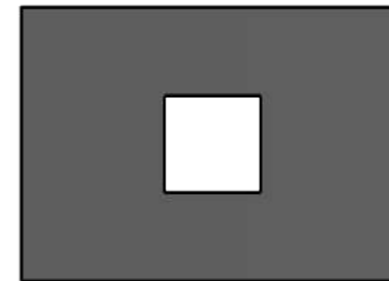
FW001 x 2



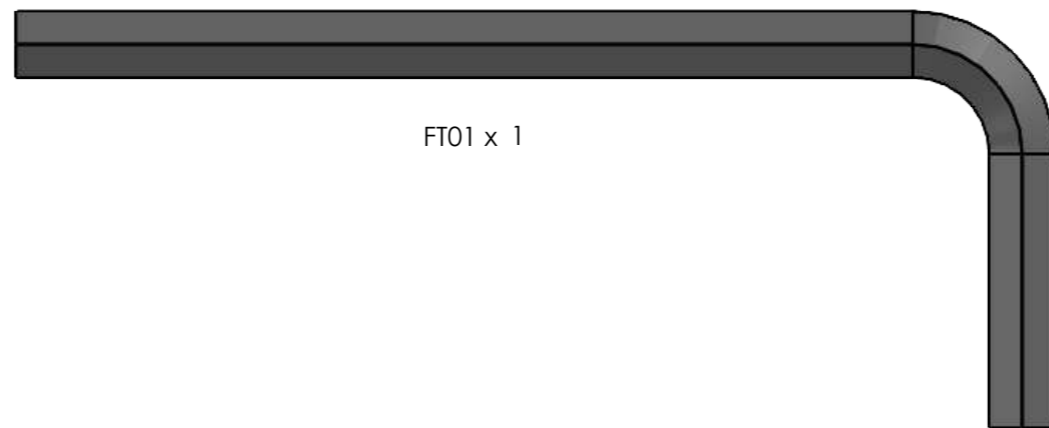
FW008 x 2



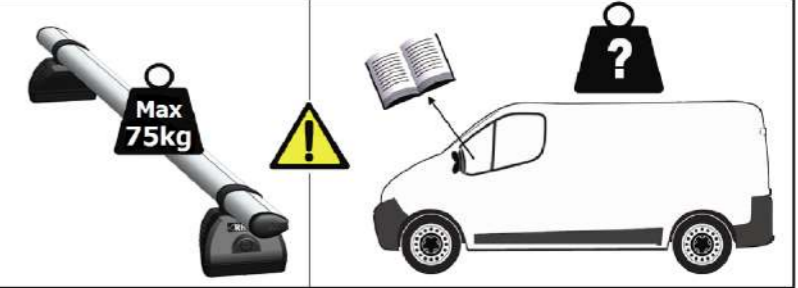
PS020 x 4



MS209 x 4

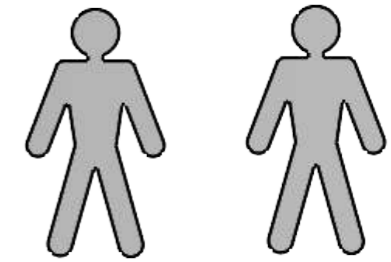


FT01 x 1



1 x  = 3Kg

FORD TRANSIT CONNECT 2014-
TYPE DESIGNATION FORM A



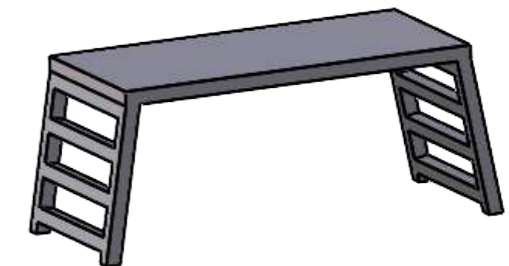
x 2

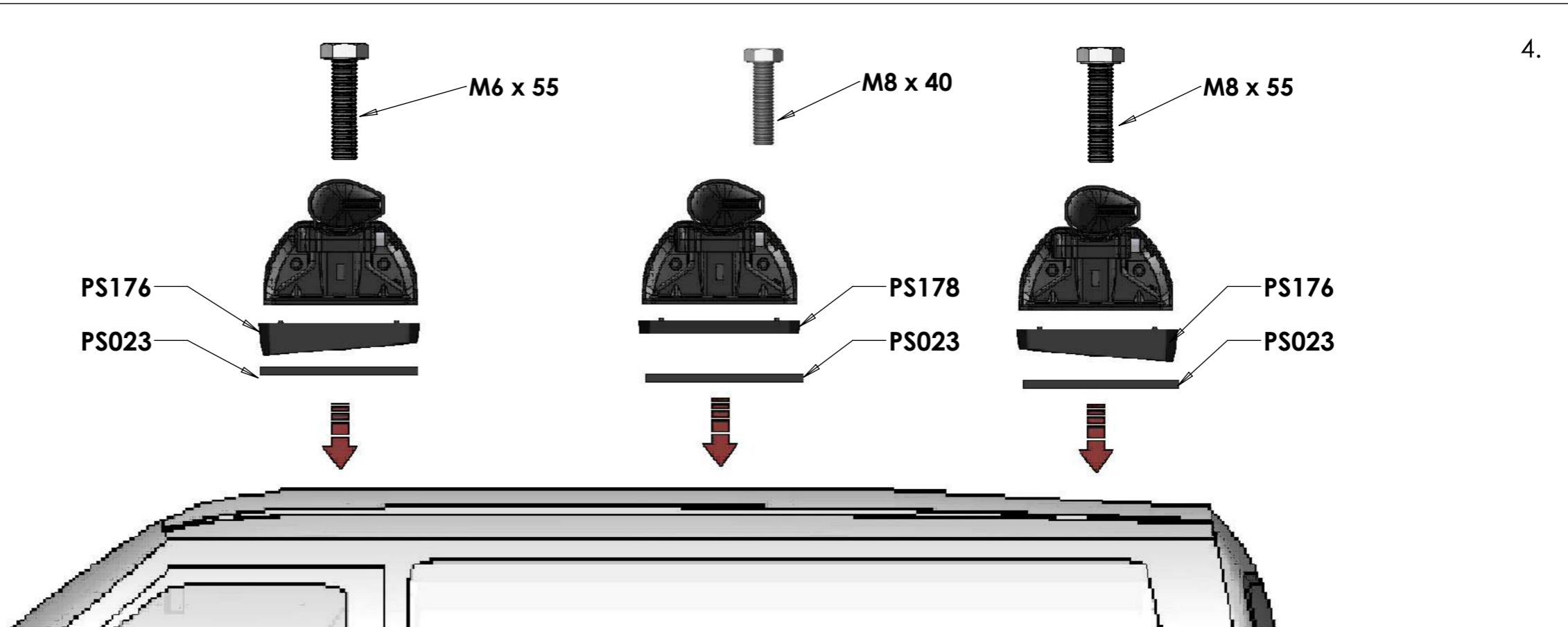
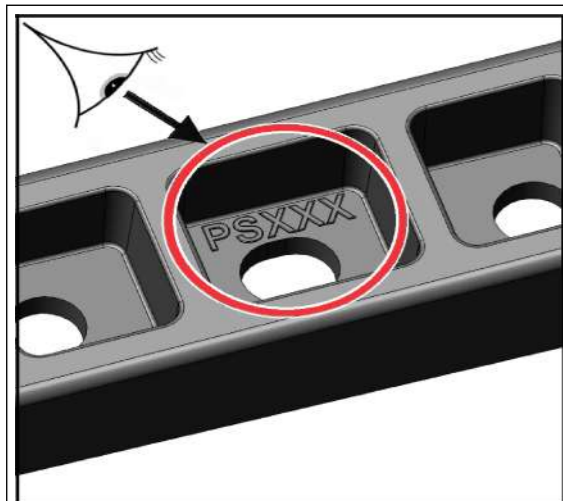
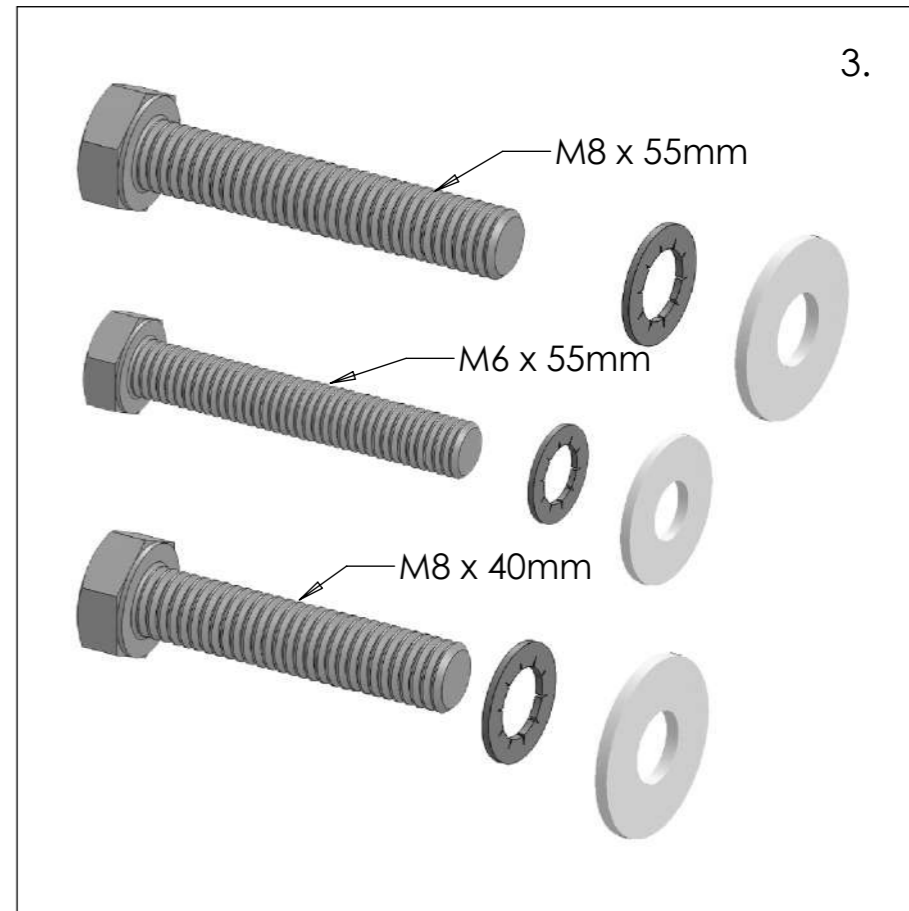
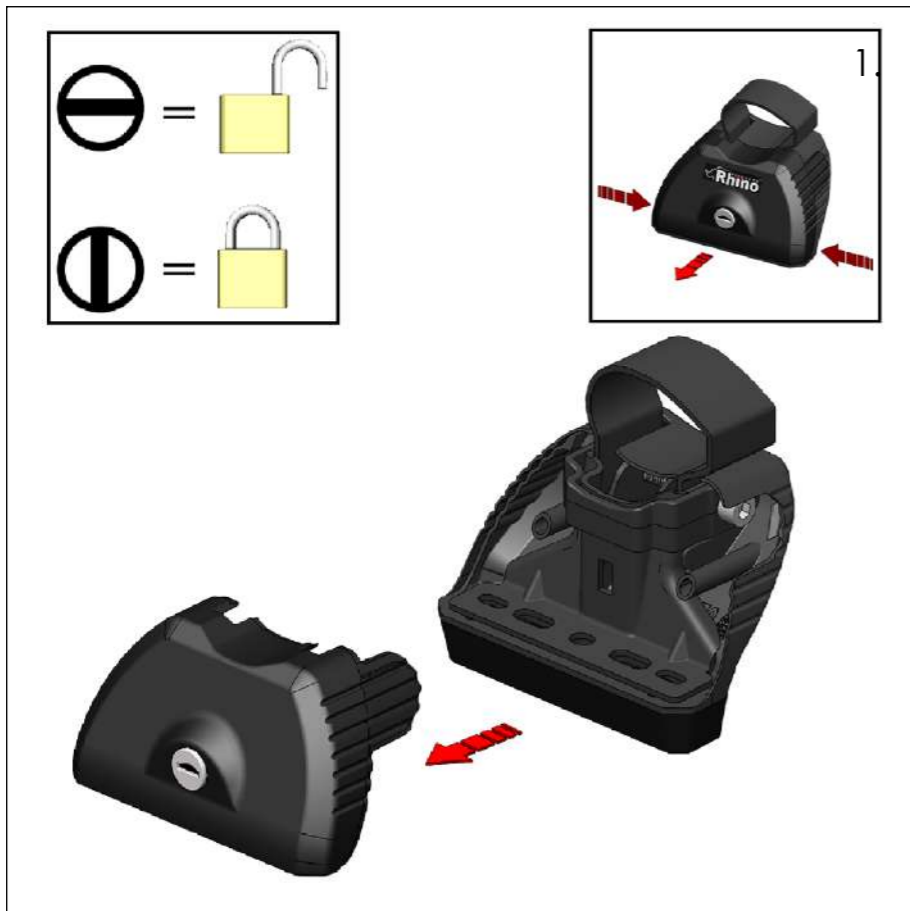


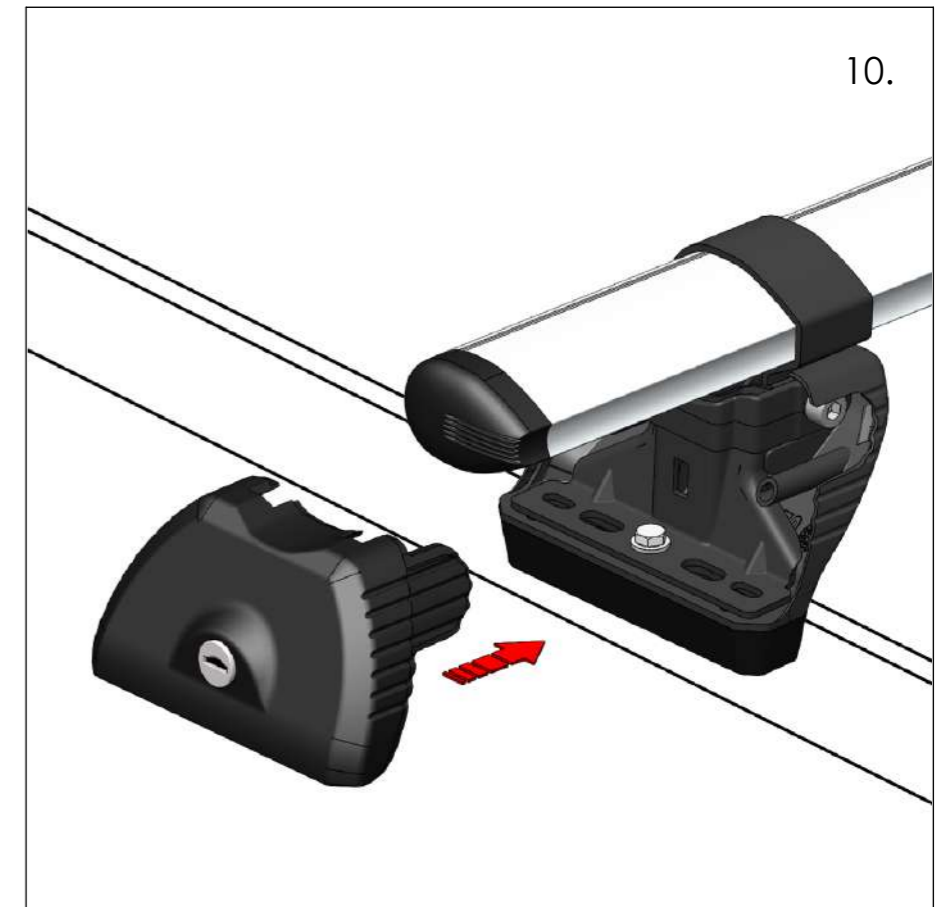
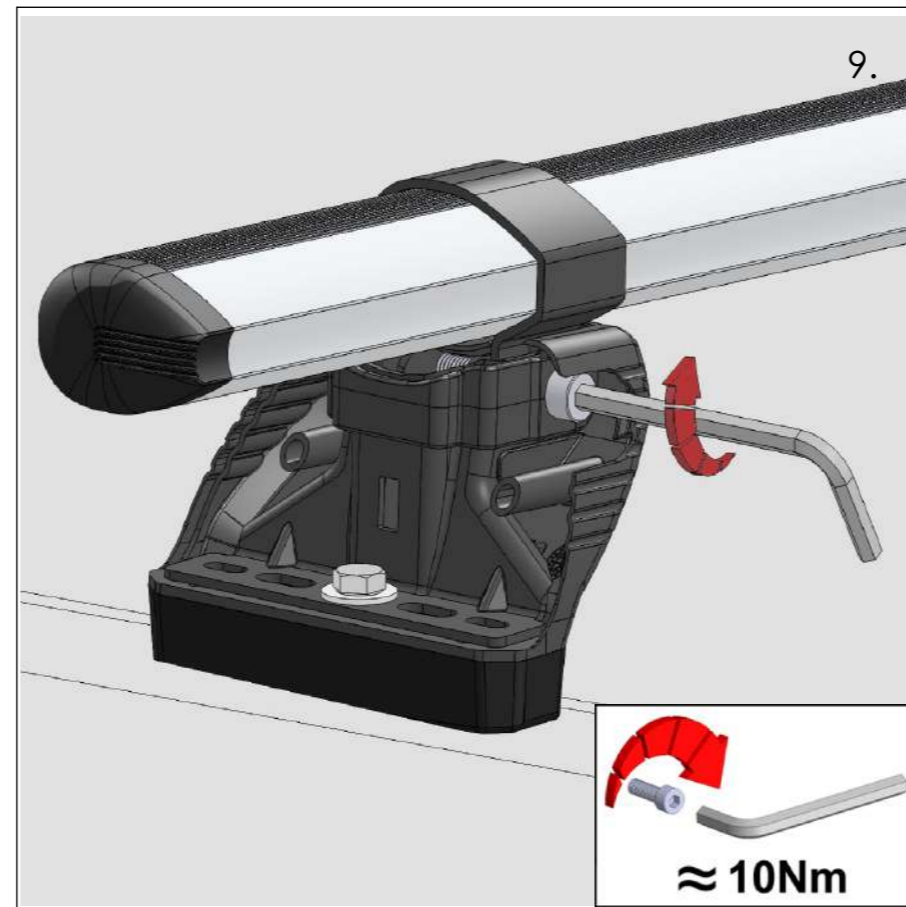
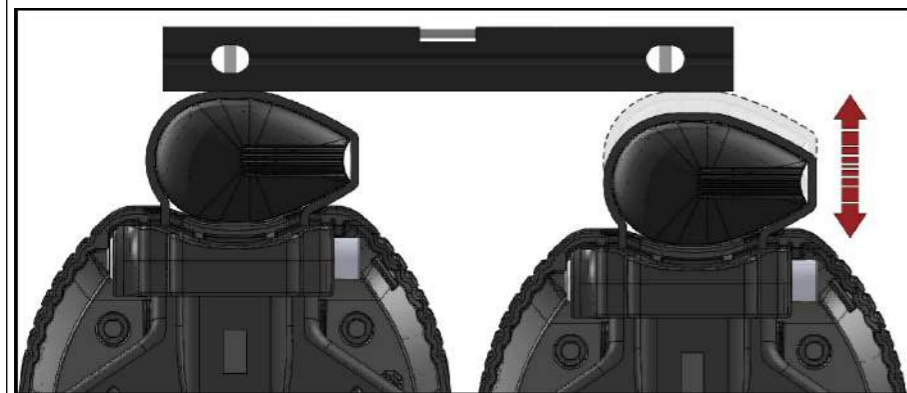
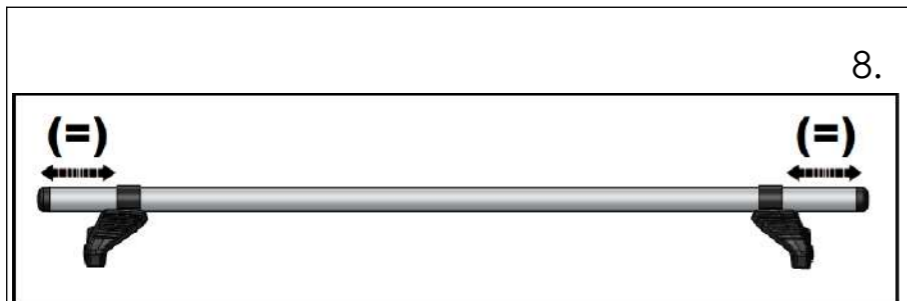
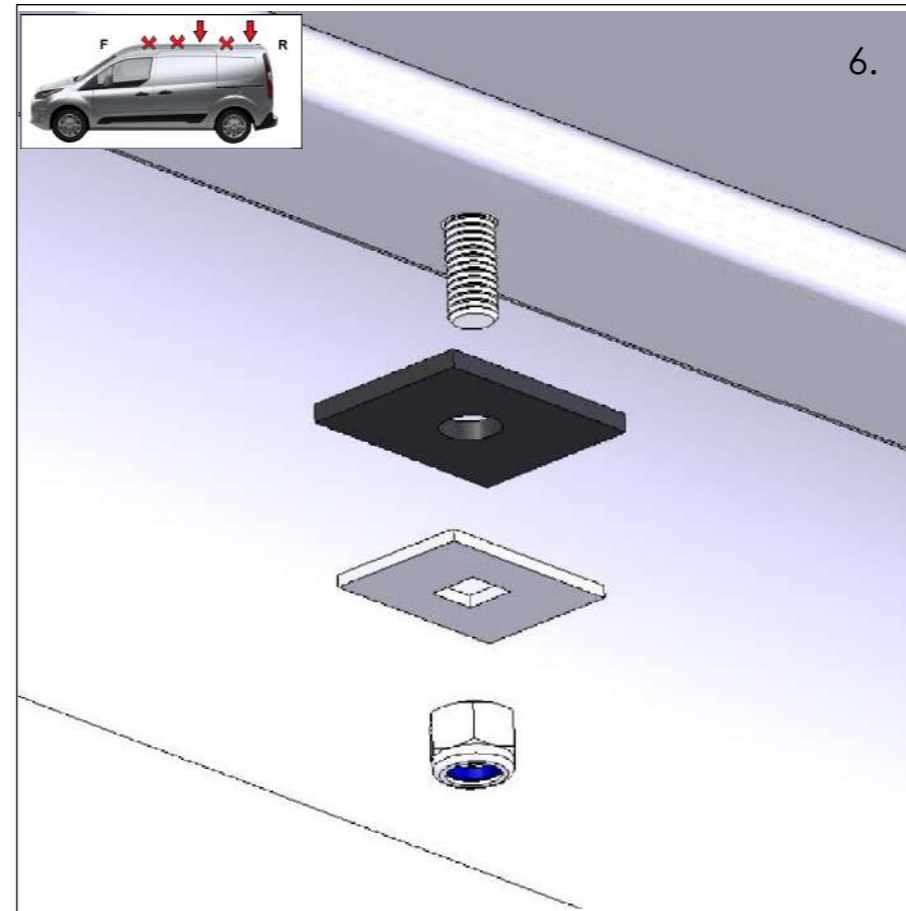
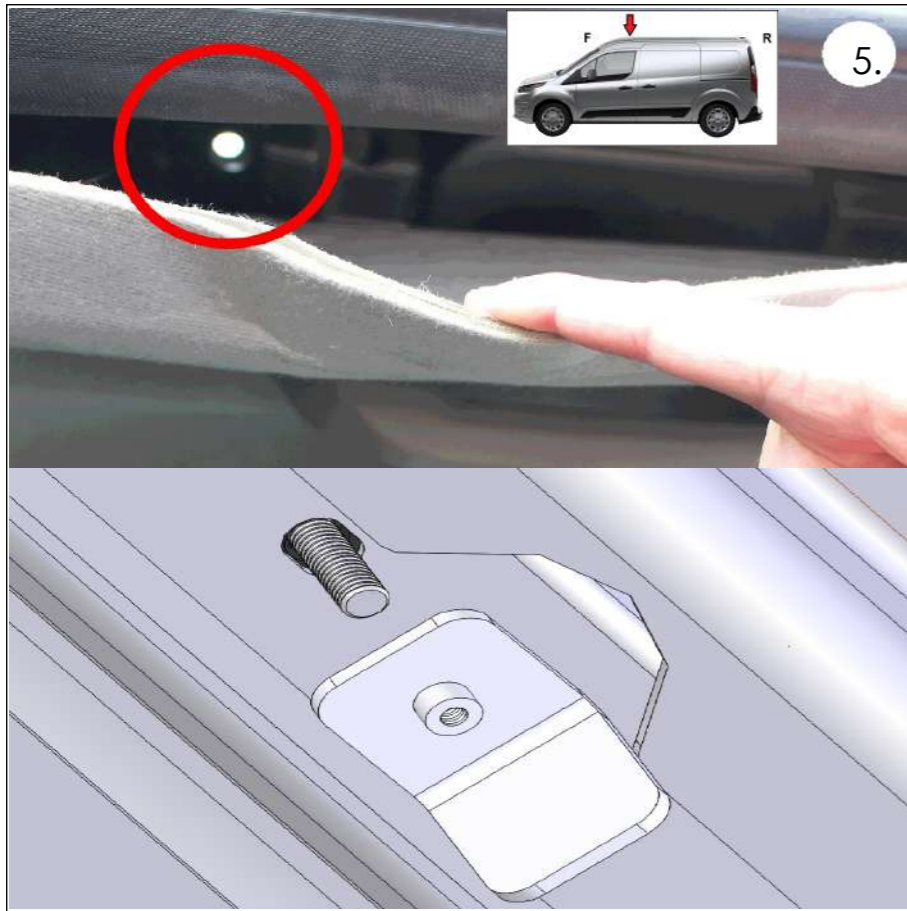
13mm x 2

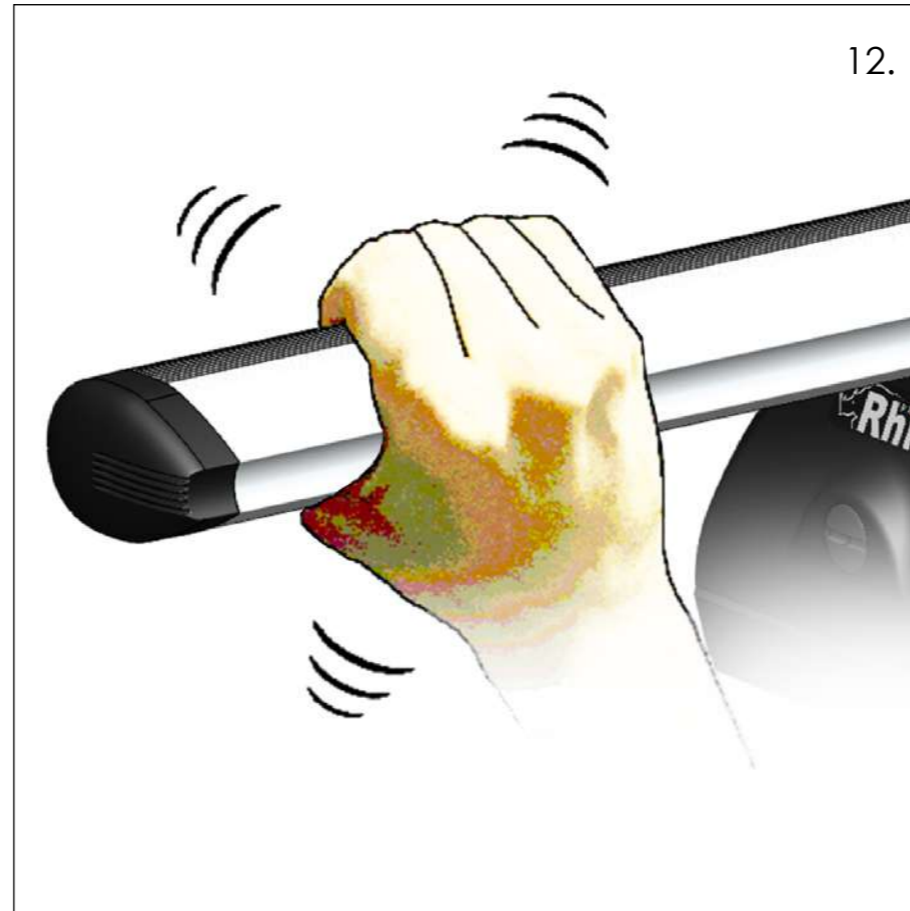
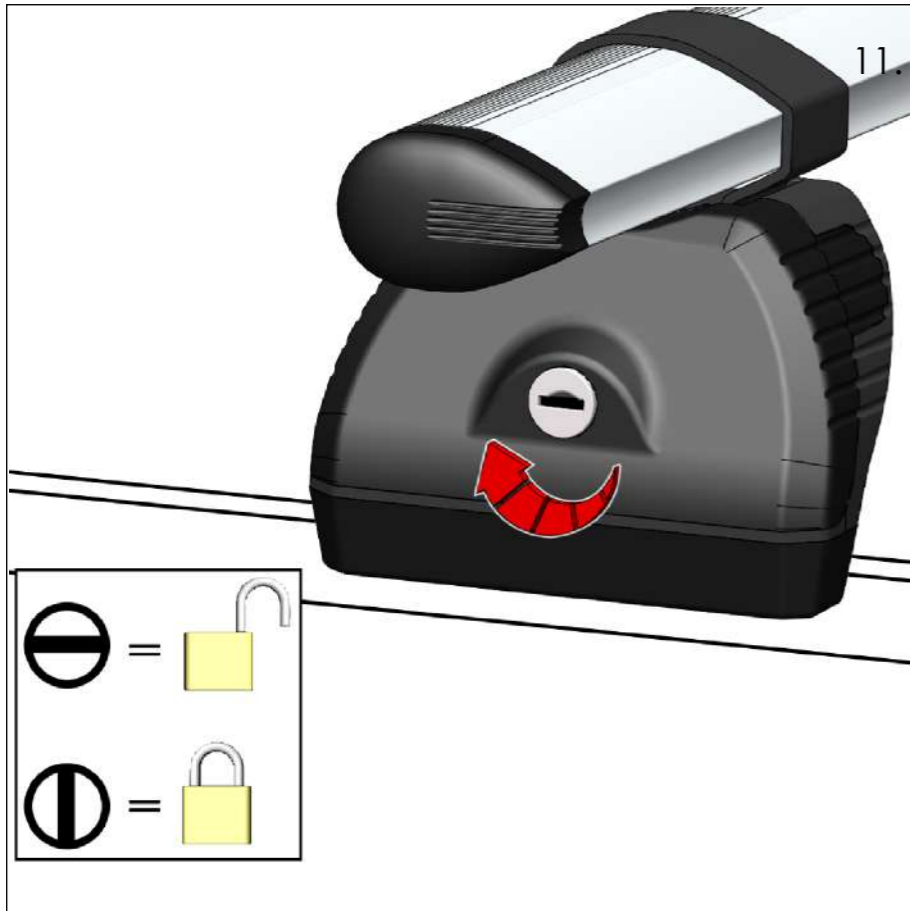


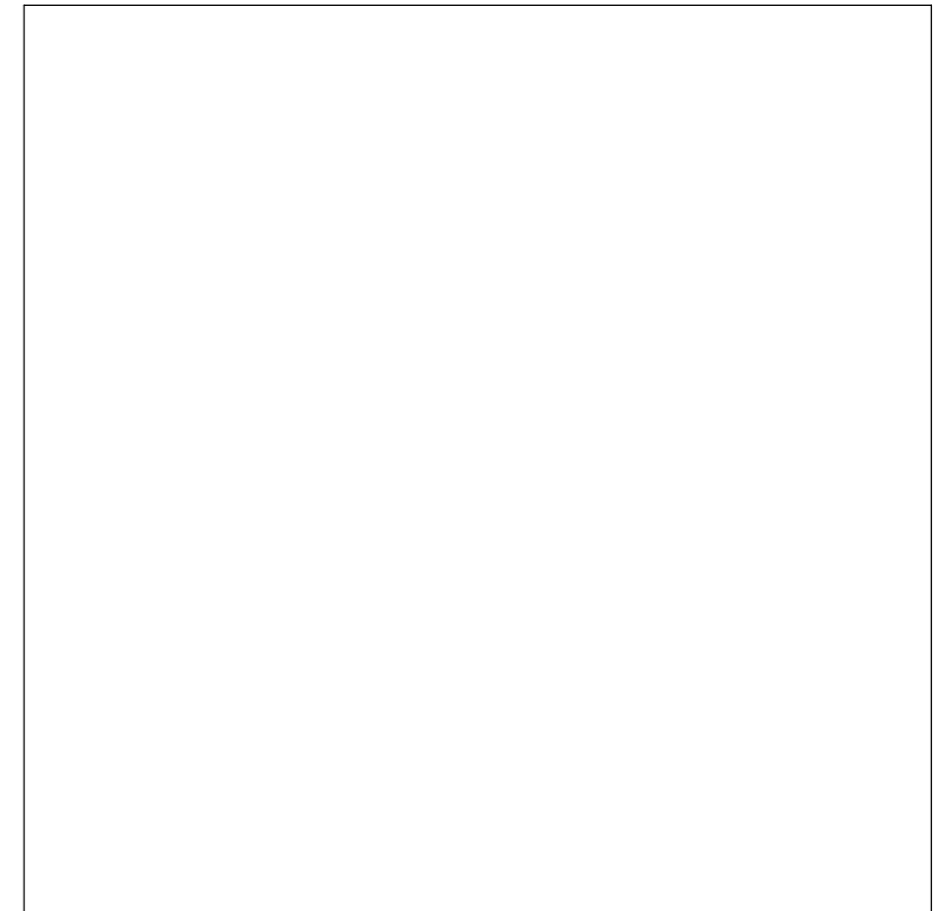
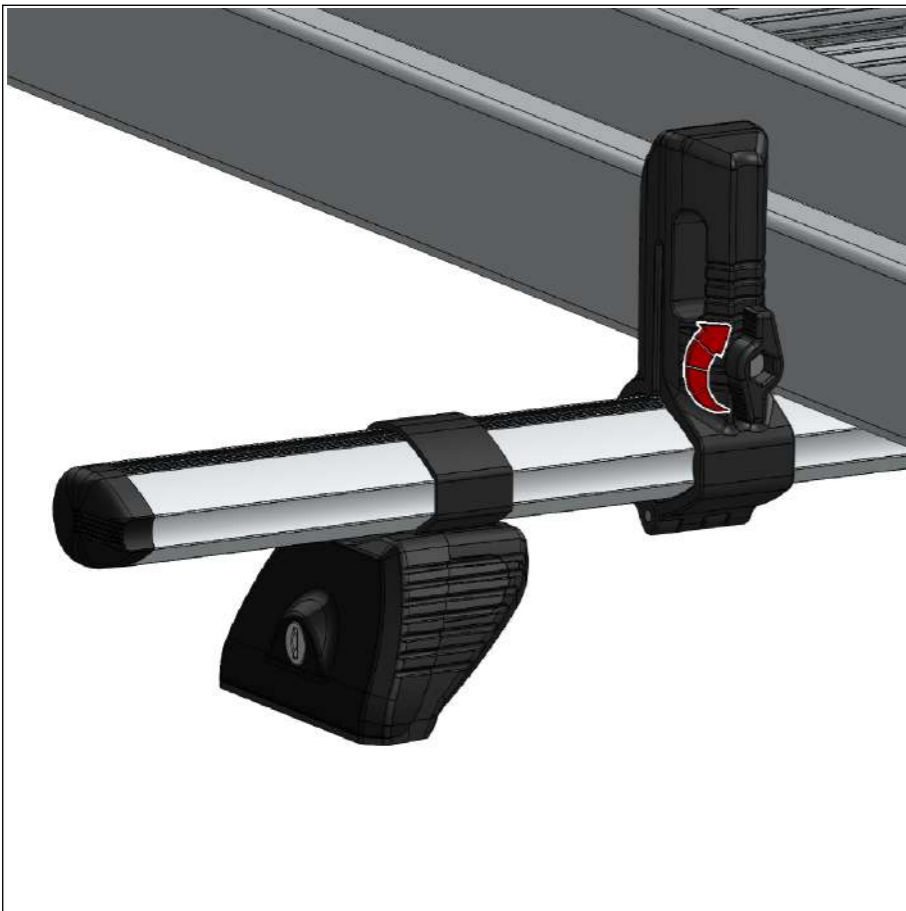
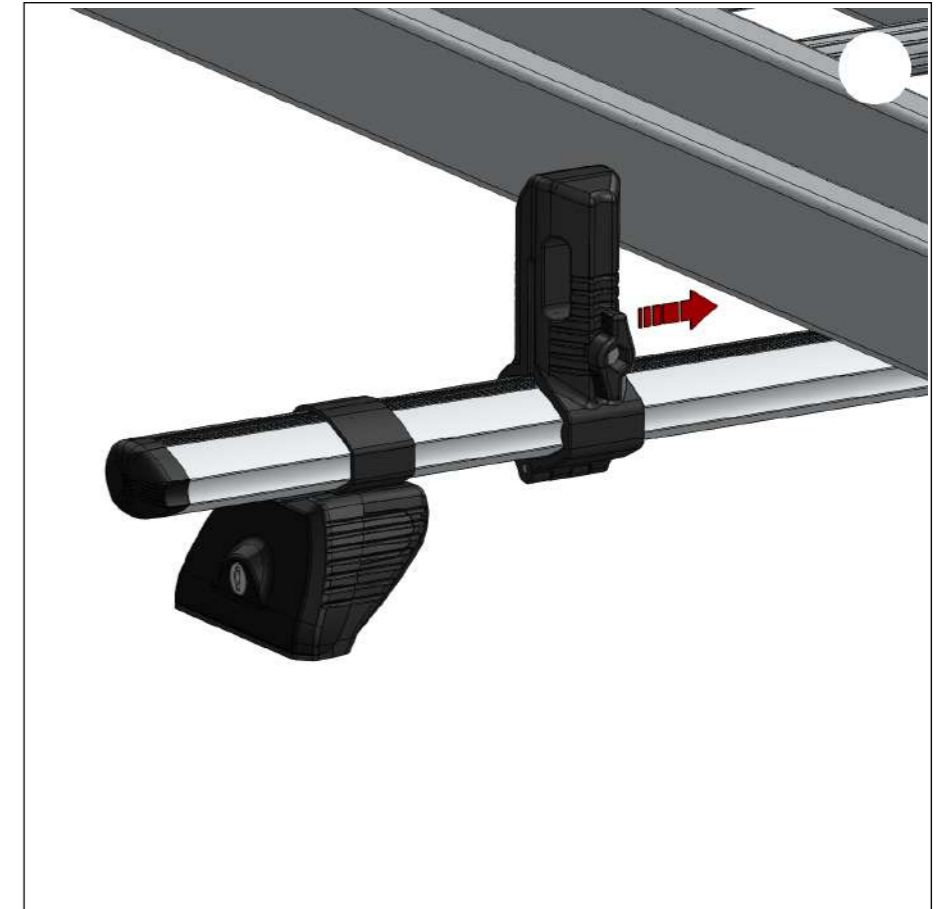
10mm x 1

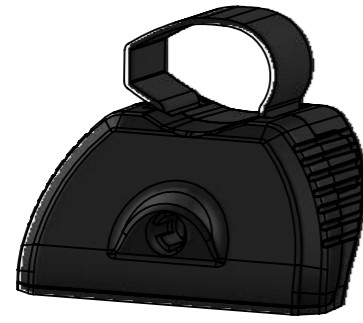




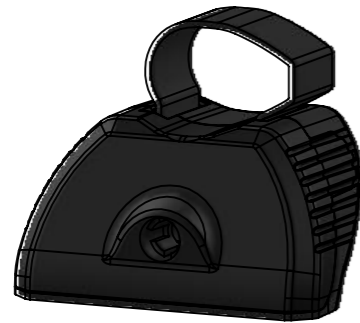




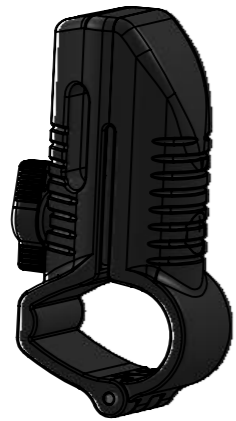




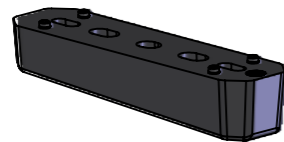
SA055 x 2



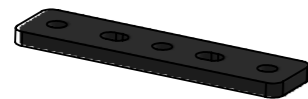
SA056 x 2



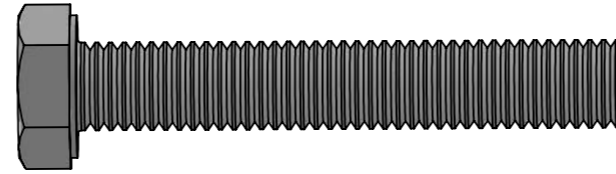
SA070 x 4



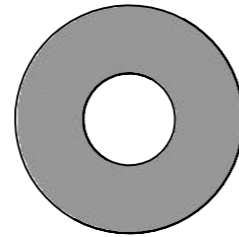
PS176 x 4



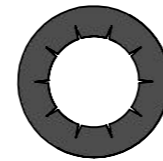
PS319 x 4



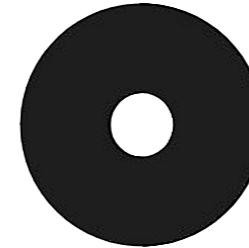
FS081 (M8 x 50) x 4



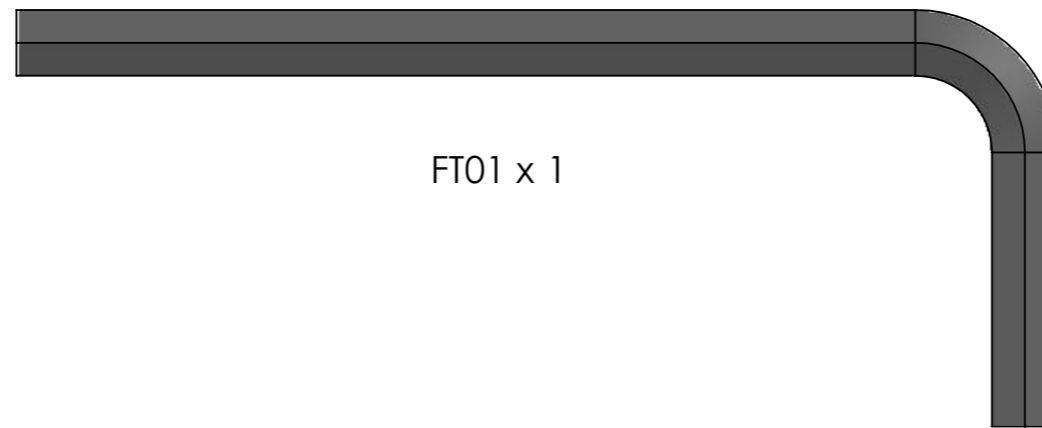
FW002 (M8) x 4



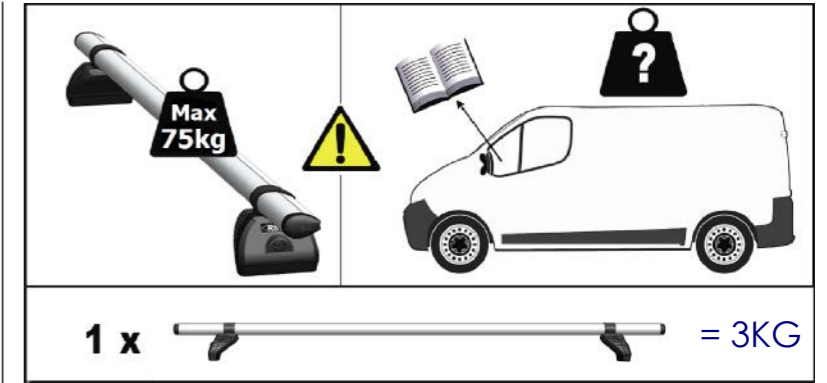
FW009 (M8) x 4



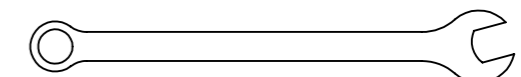
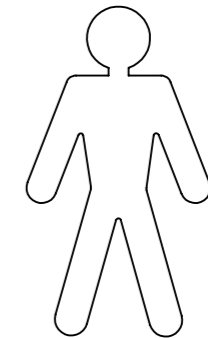
PS208 (M8) x 4



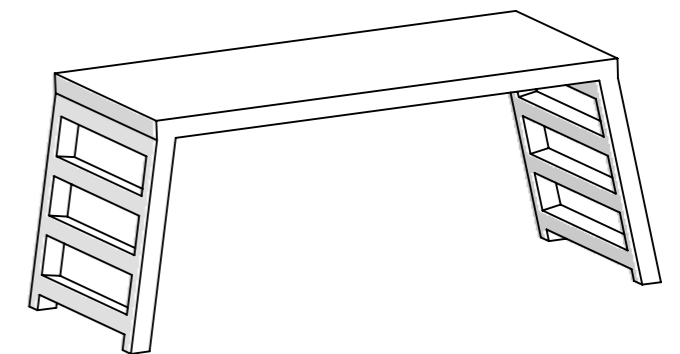
FT01 x 1

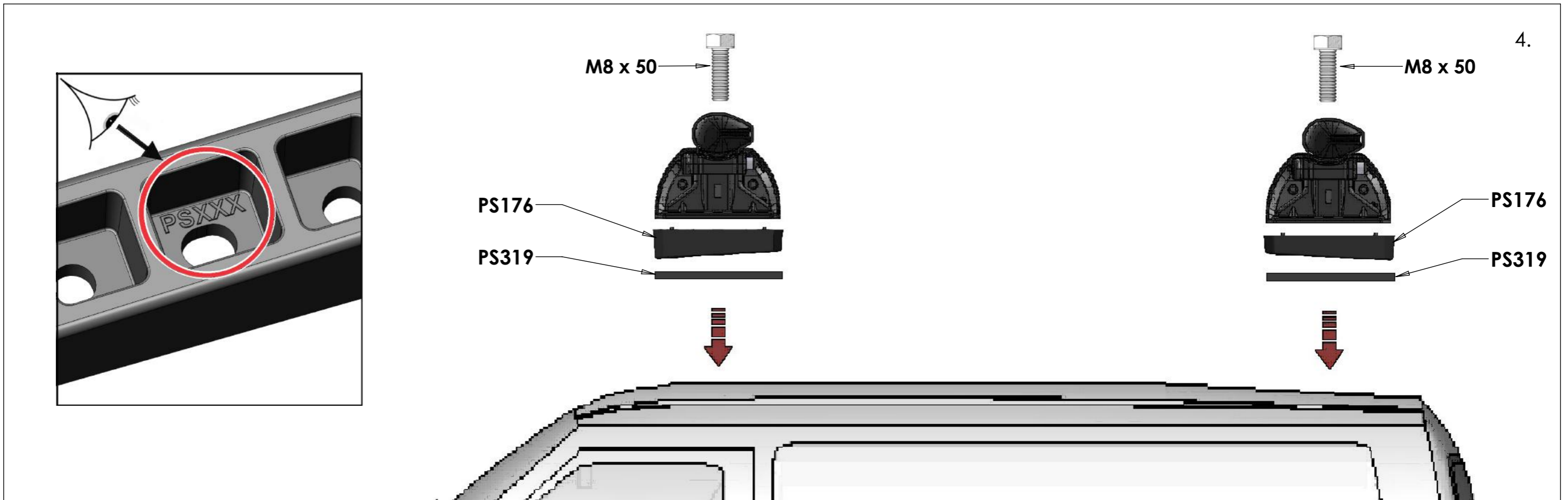
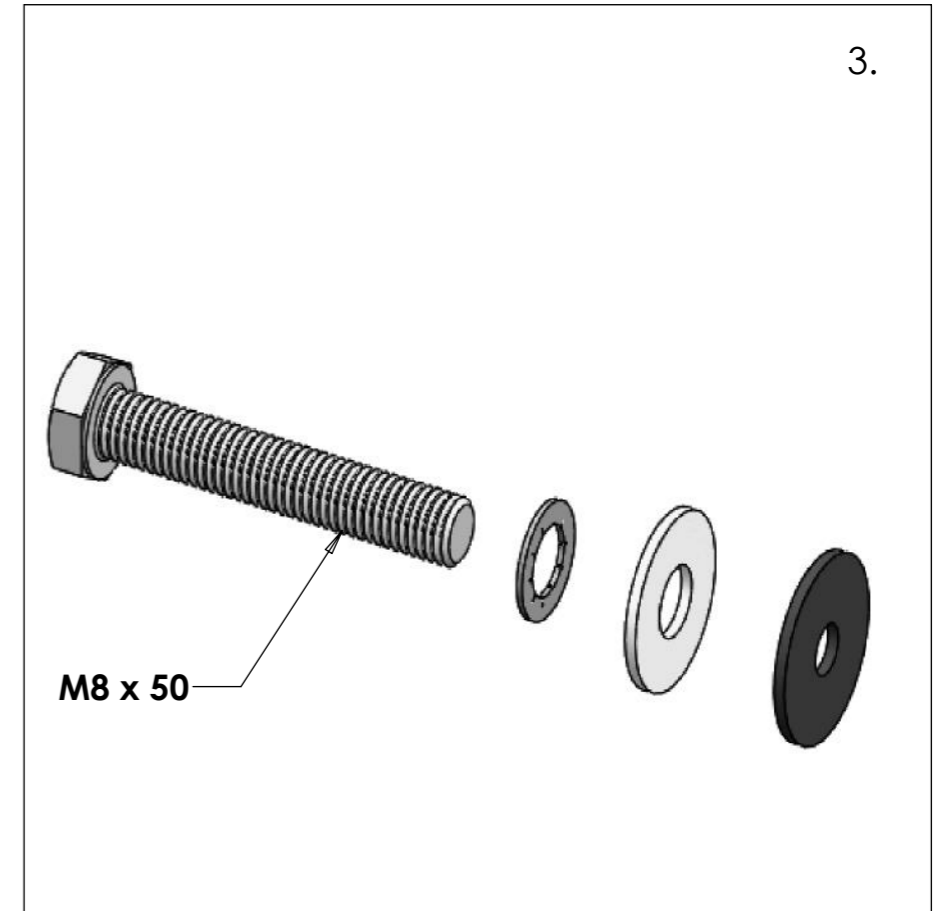
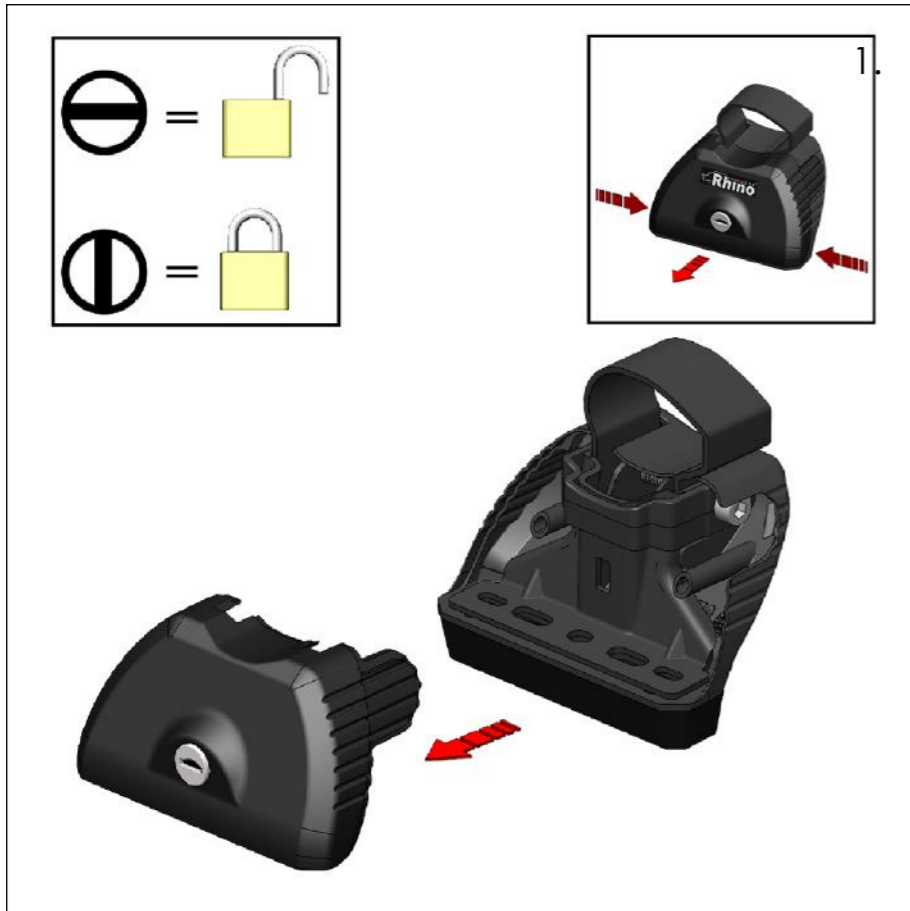


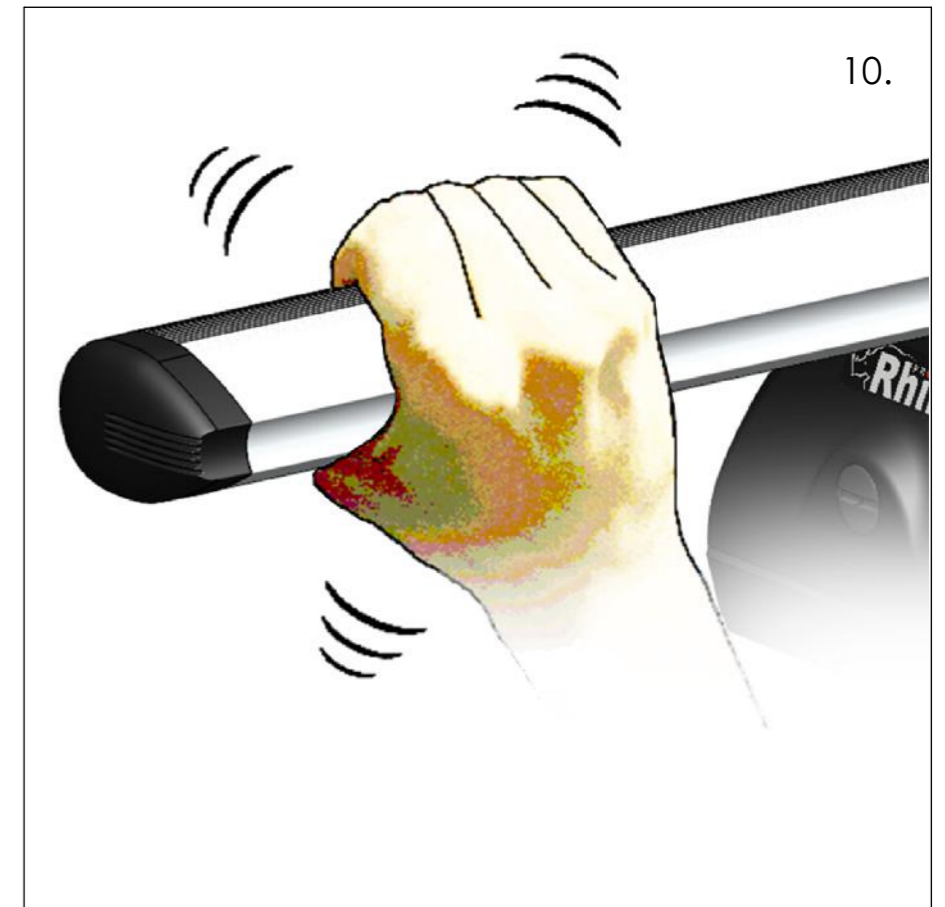
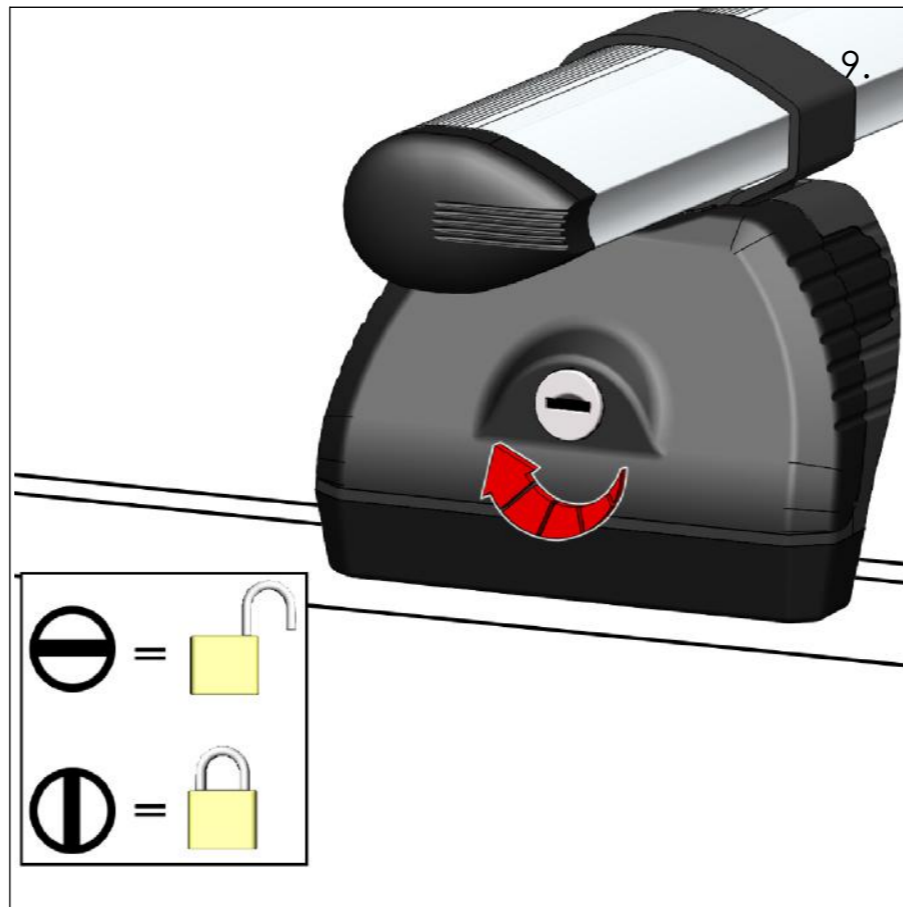
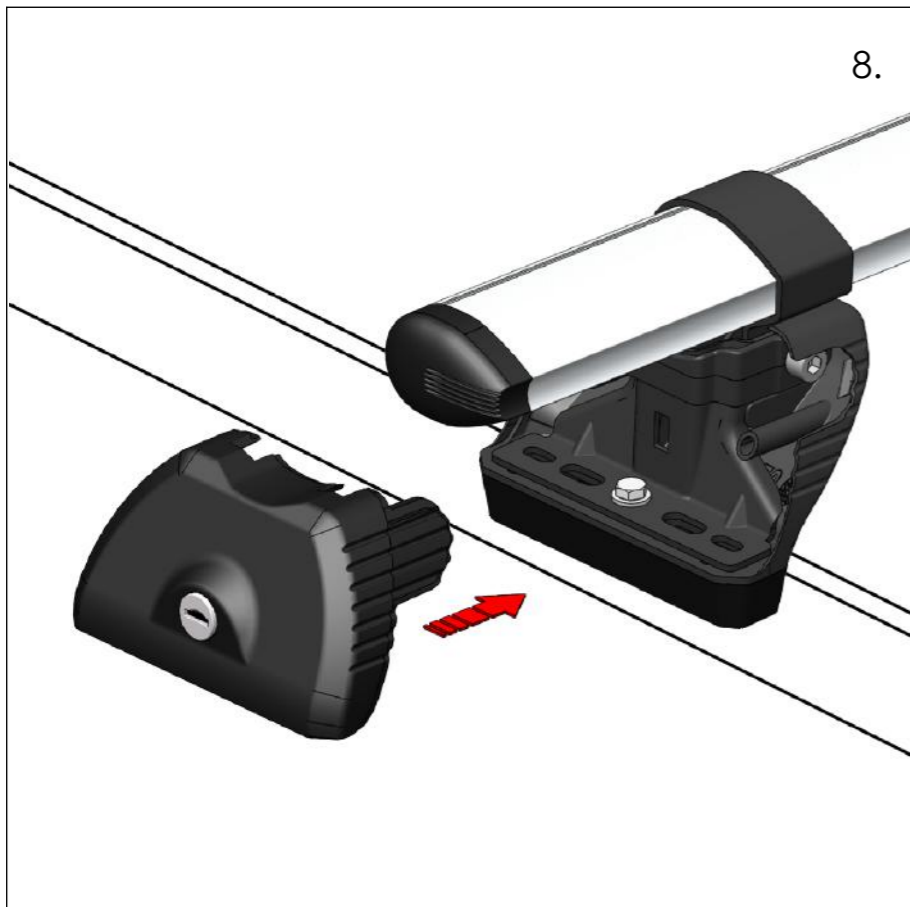
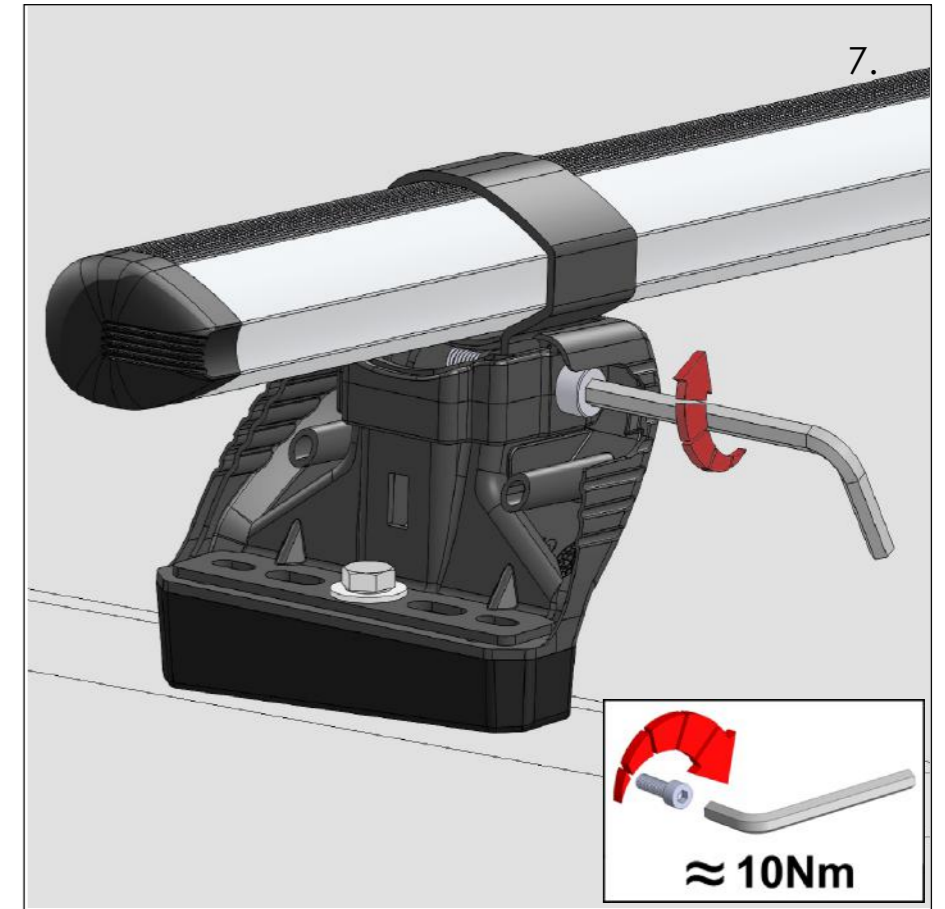
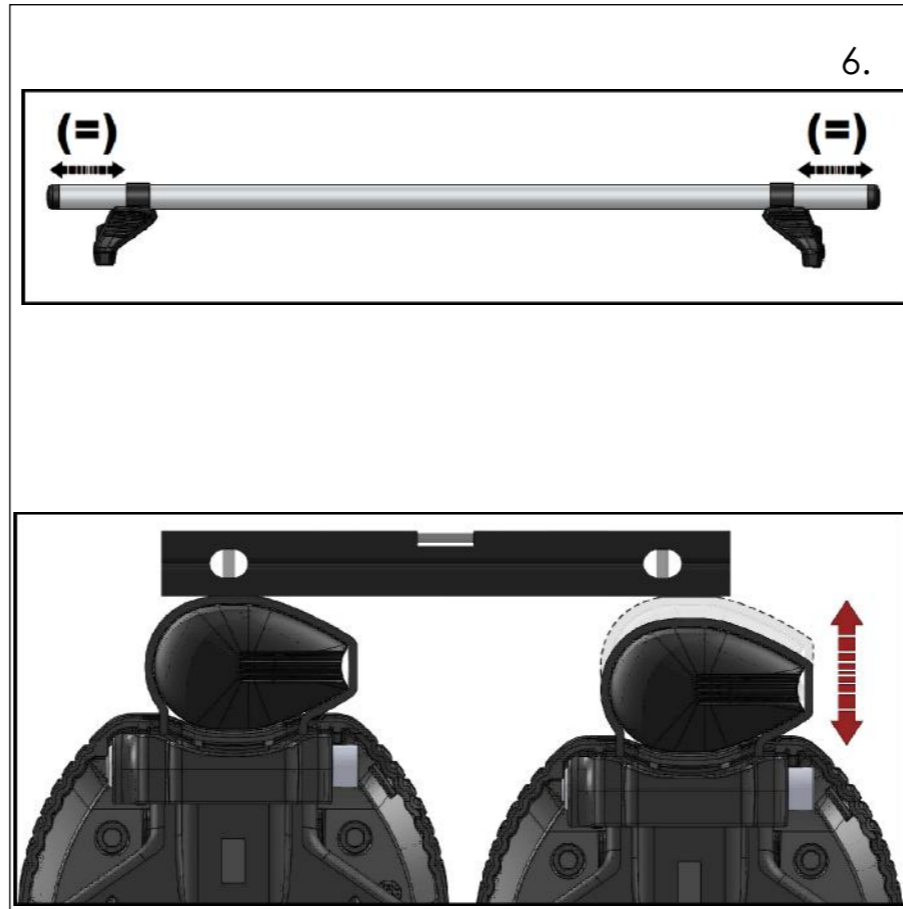
VW CADDY5 2020-
TYPE DESIGNATION FORM A

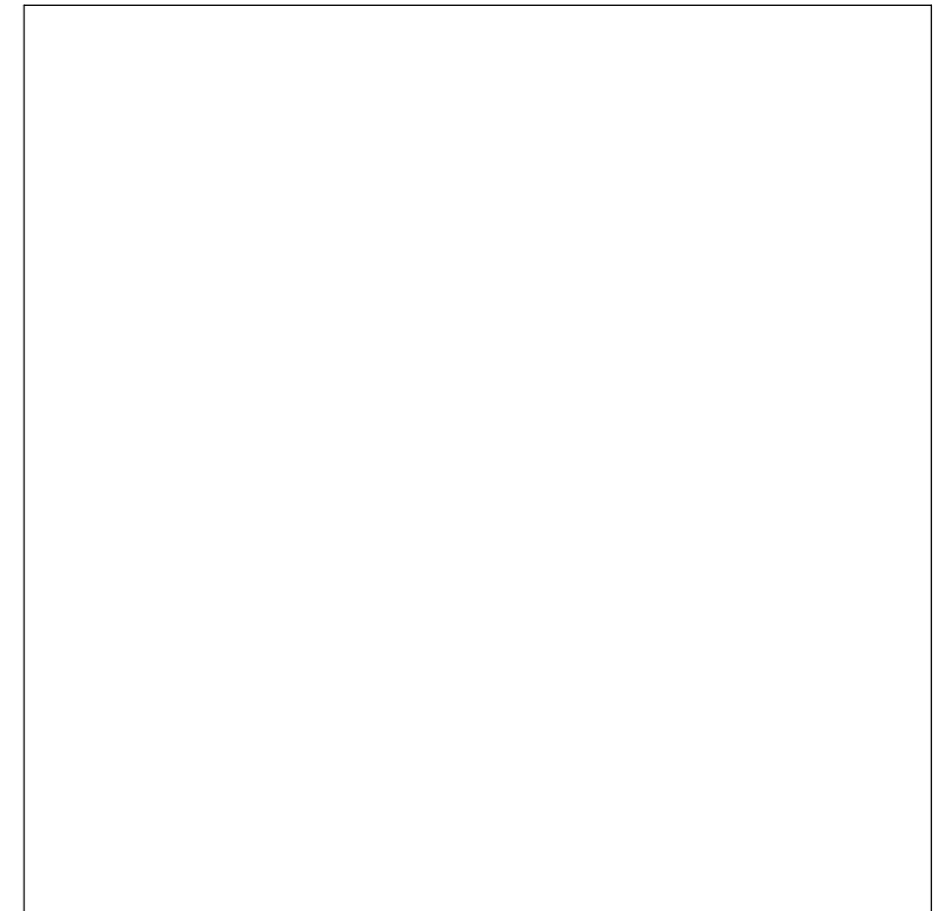
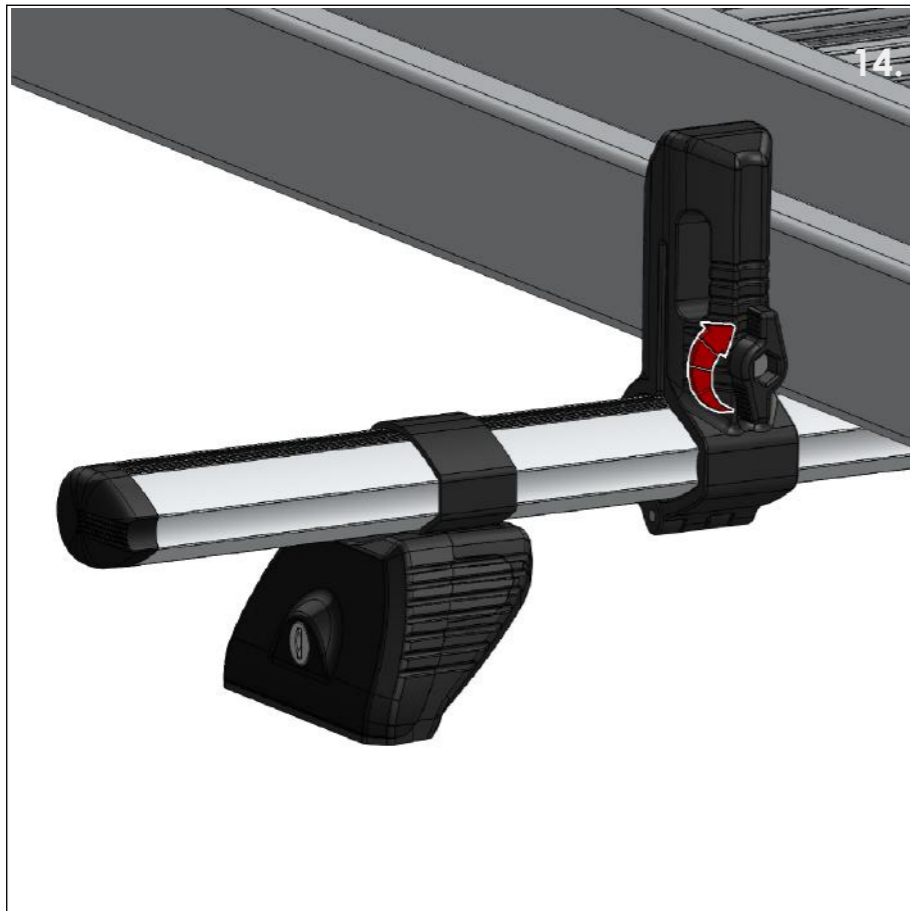


13mm x 1







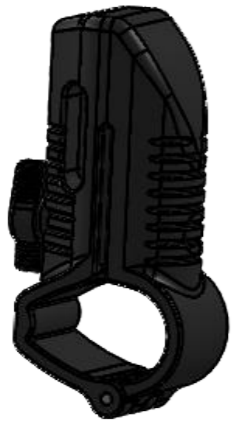




SA055 x 3



SA056 x 3



SA070 x 4



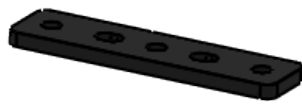
PS176 x 4



PS404 x 2



PS023 x 2



PS319 x 4



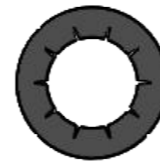
FS061 (M8 x 35) x 2



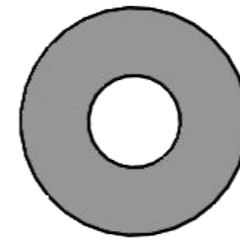
FS081 (M8 x 50) x 4



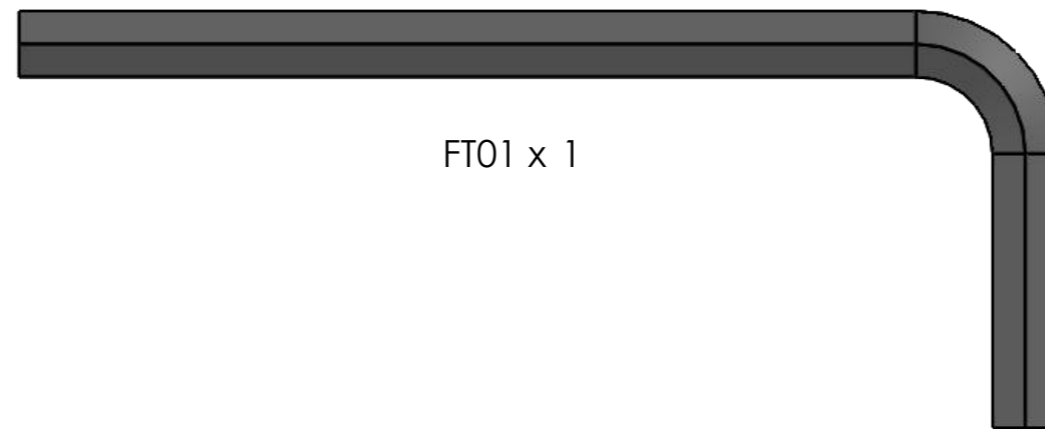
PS208 (M8) x 6



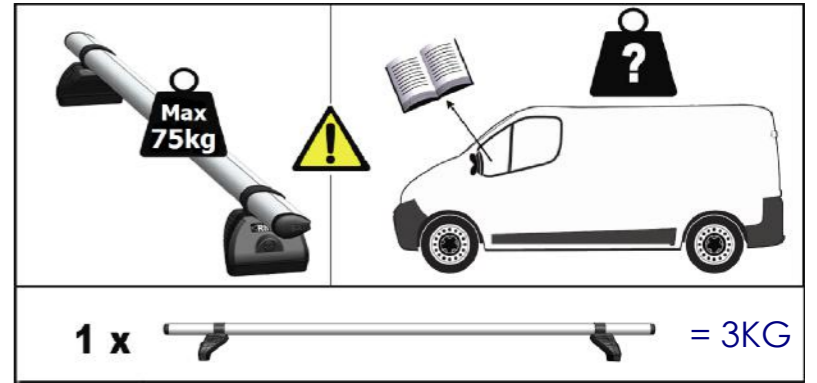
FW009 (M8) x 6



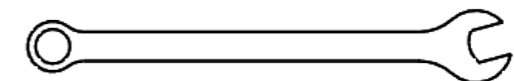
FW002 (M8) x 6



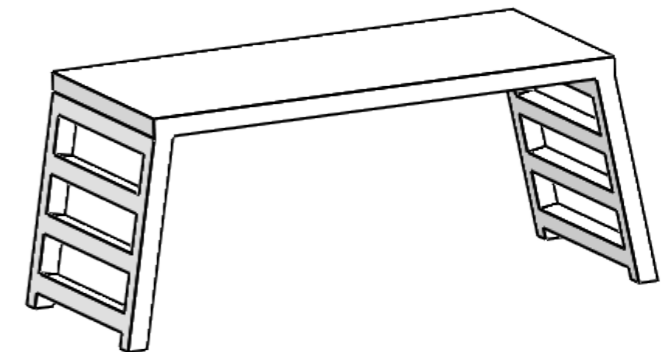
FT01 x 1

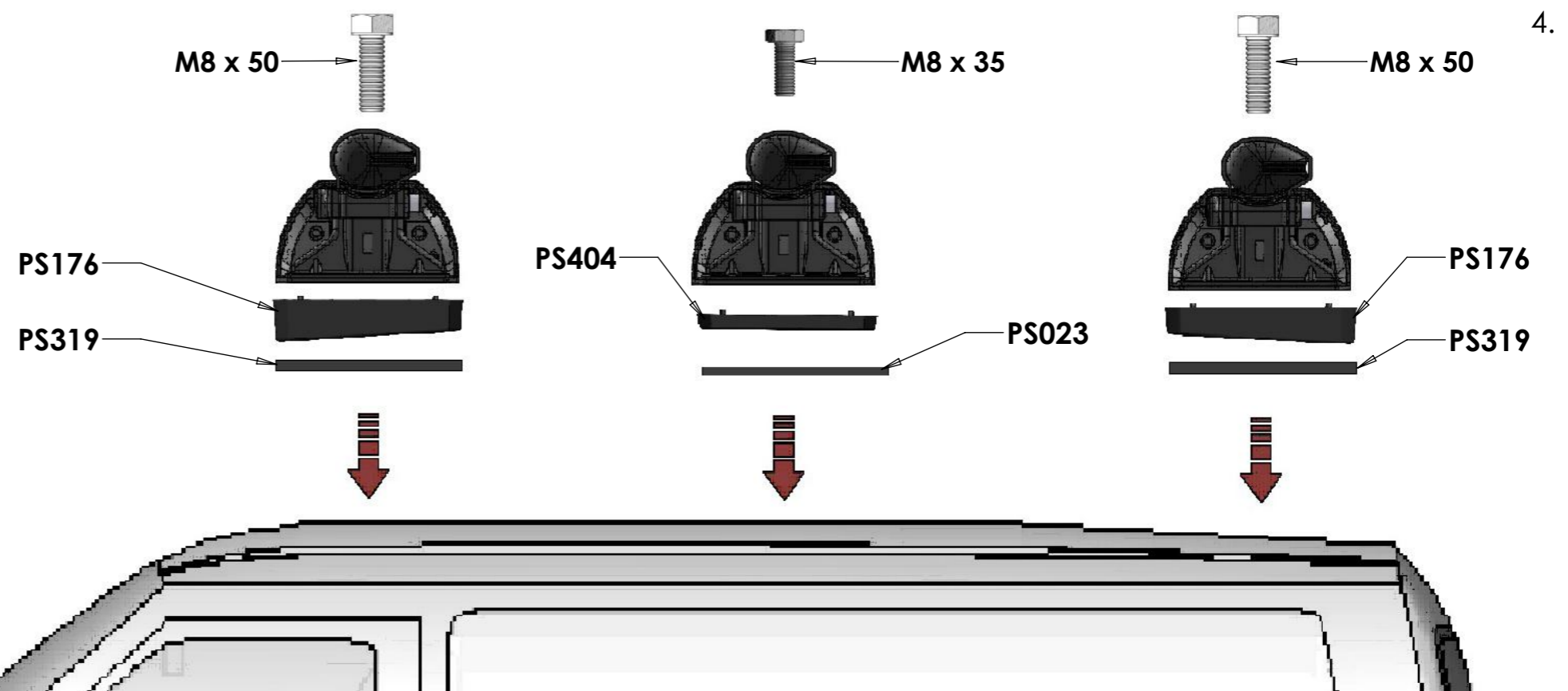
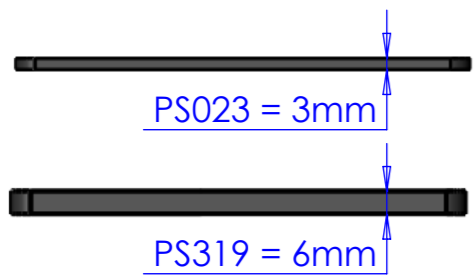
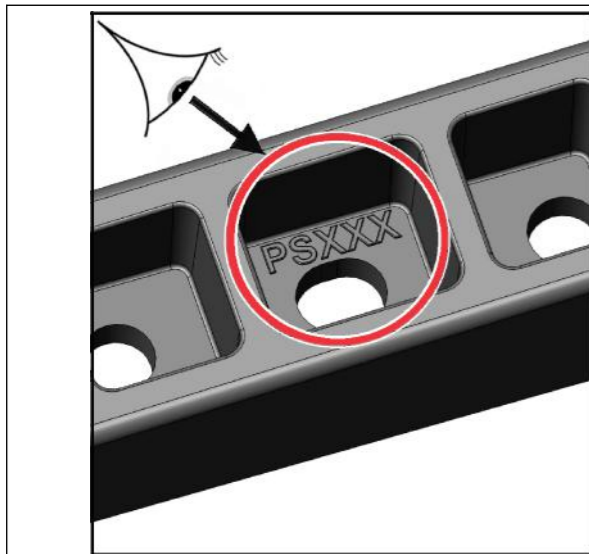
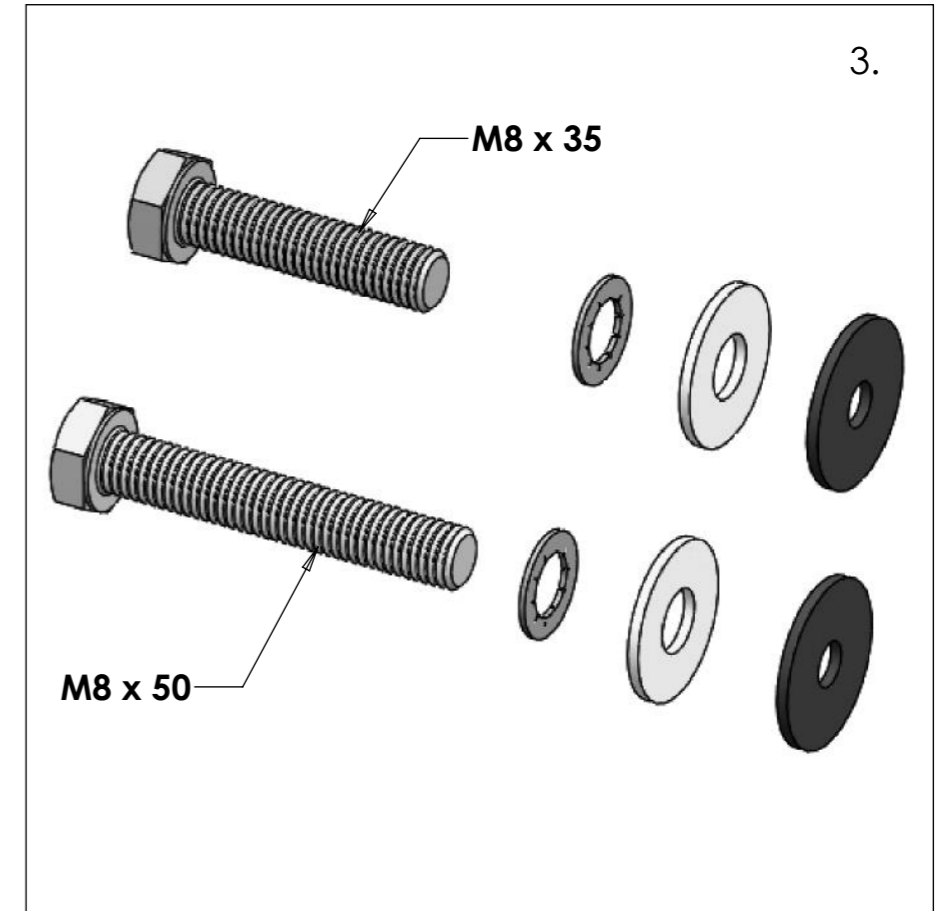
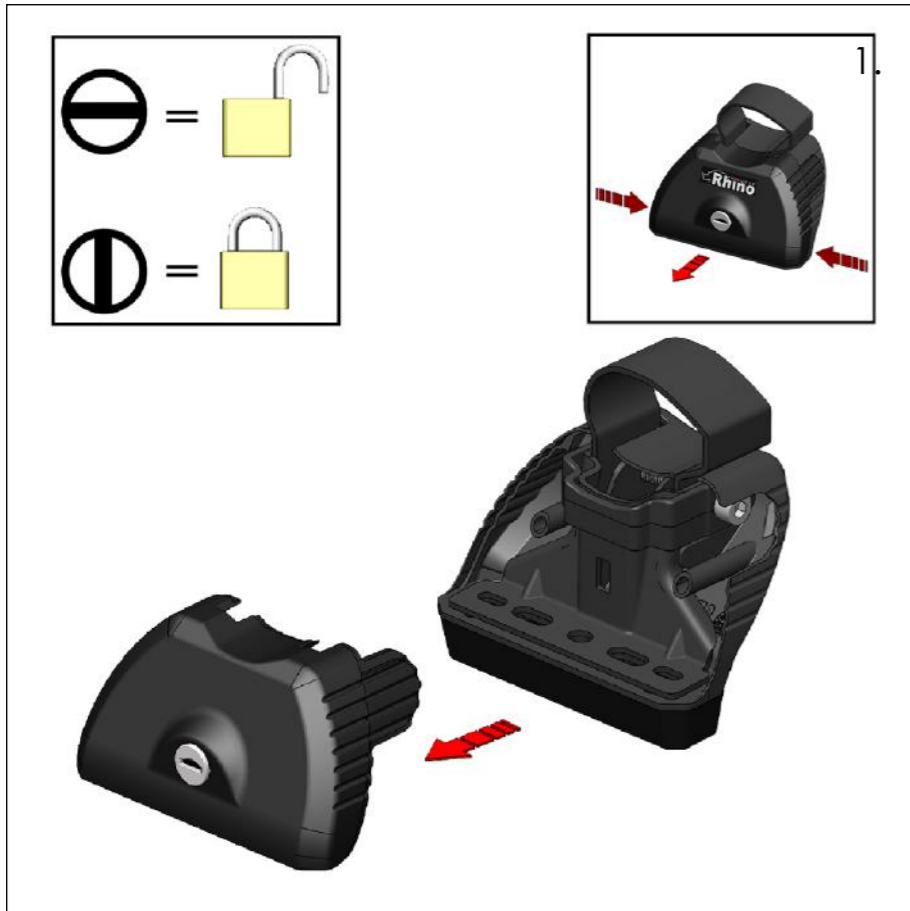


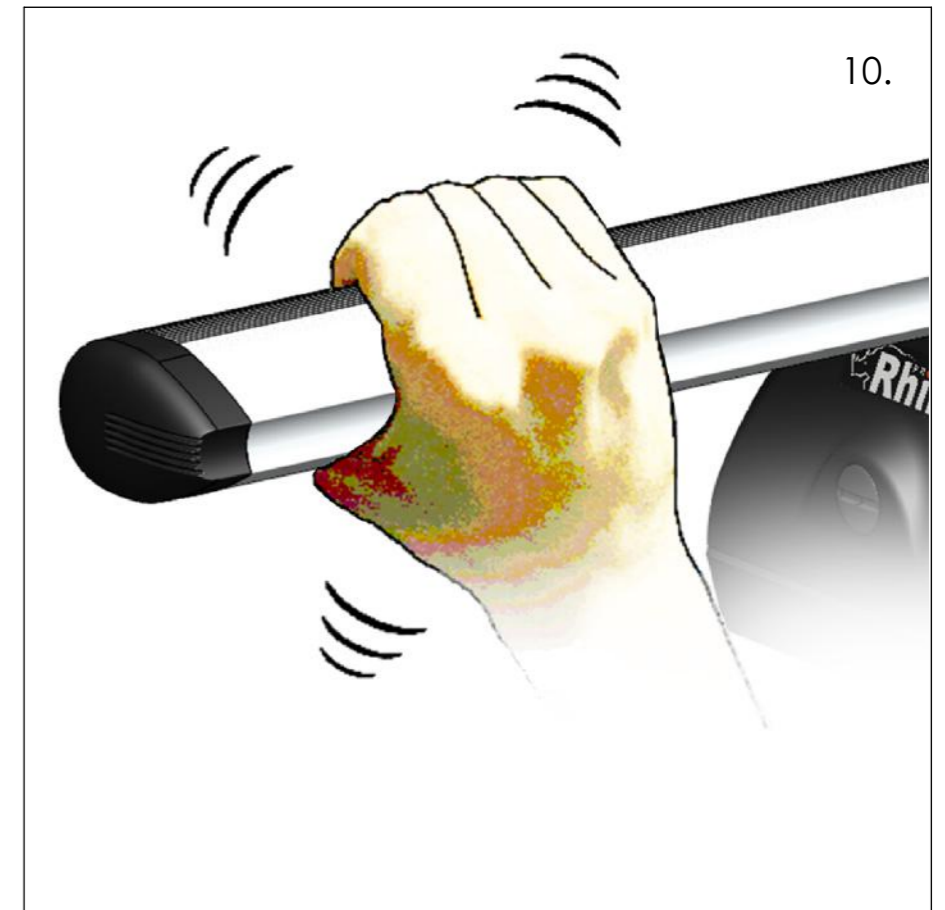
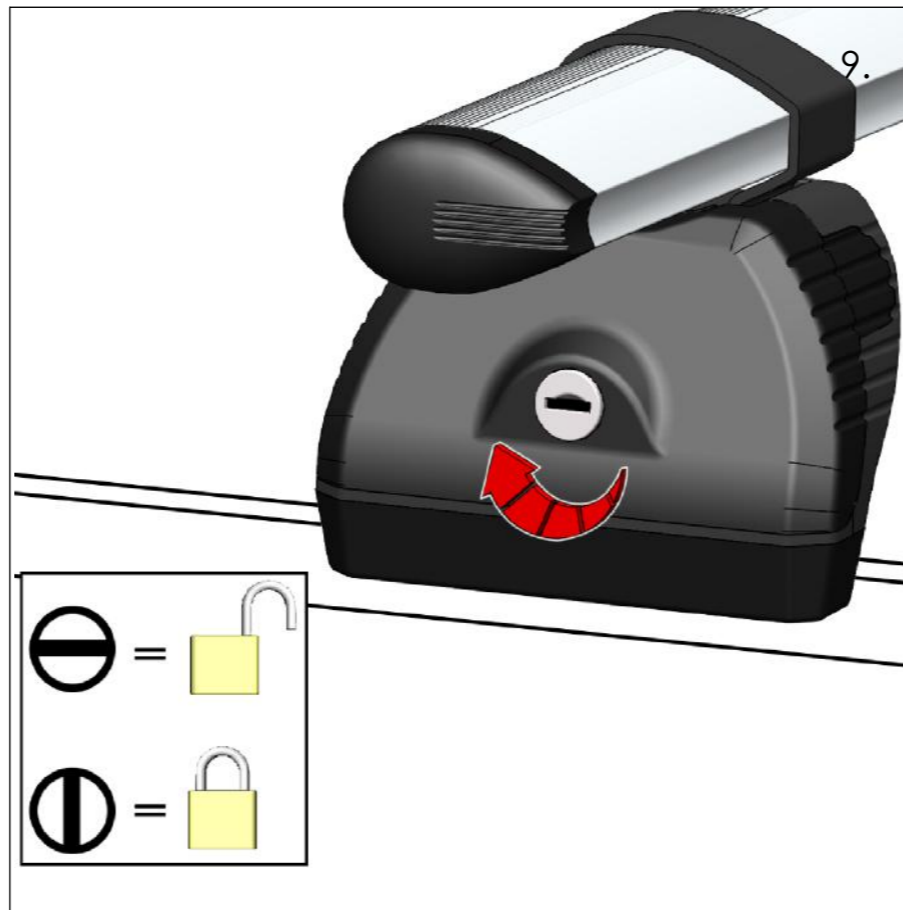
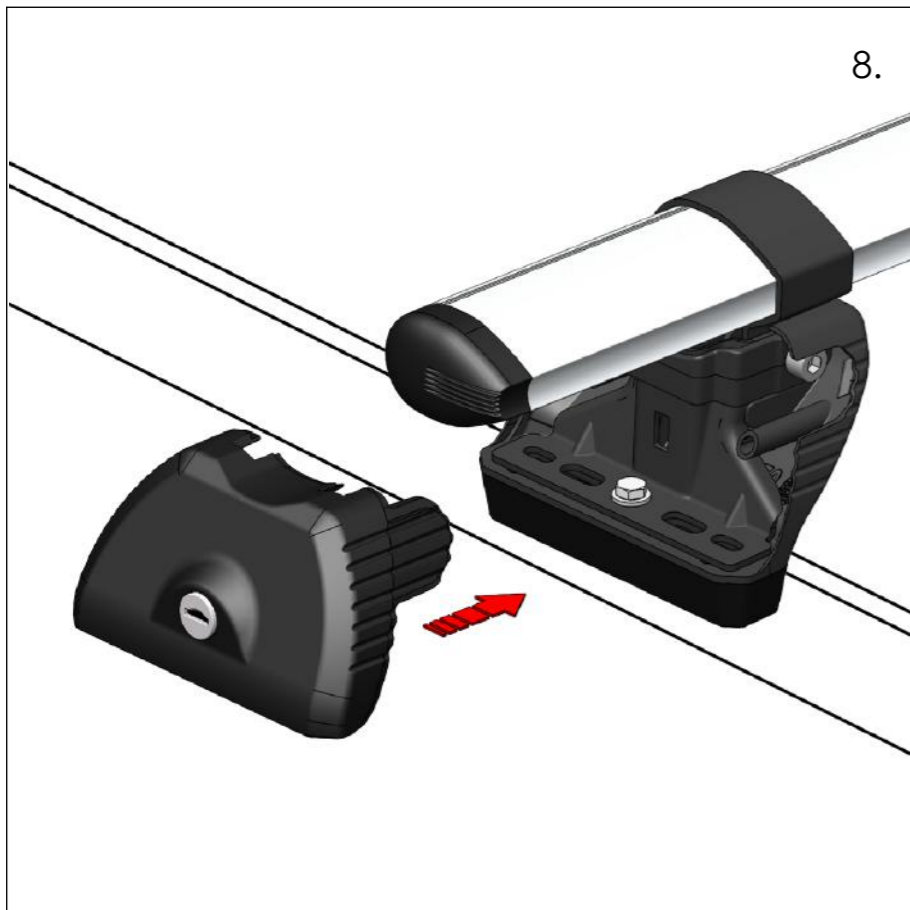
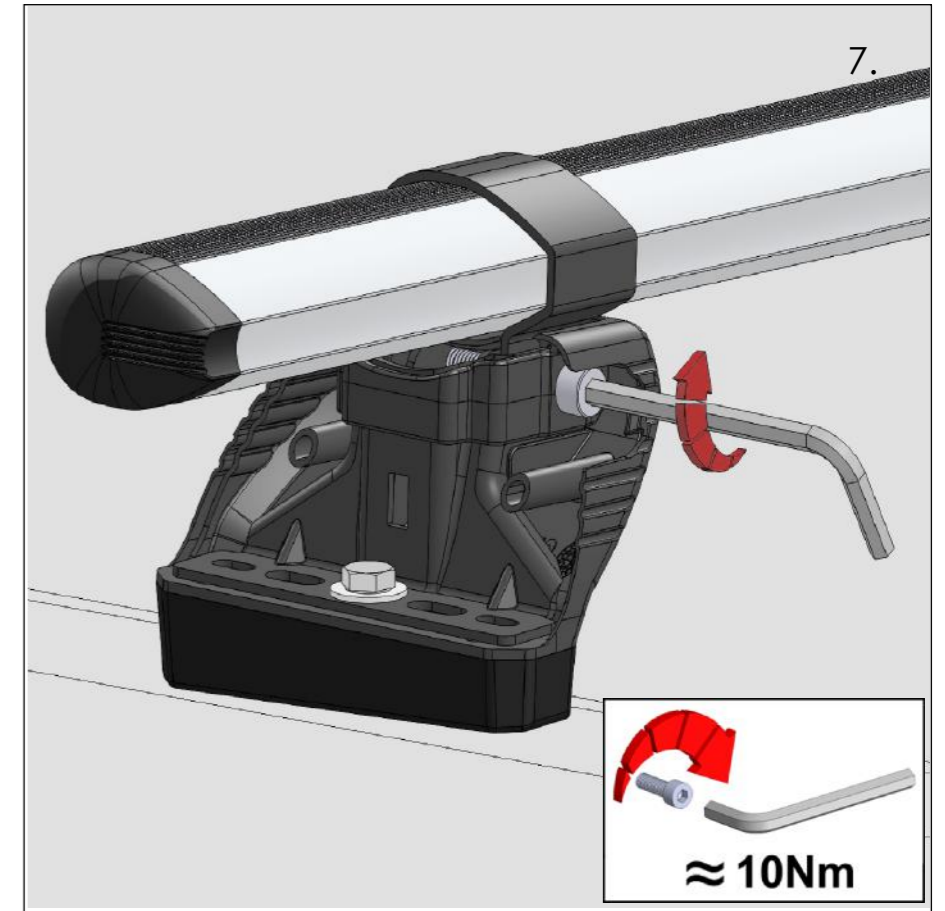
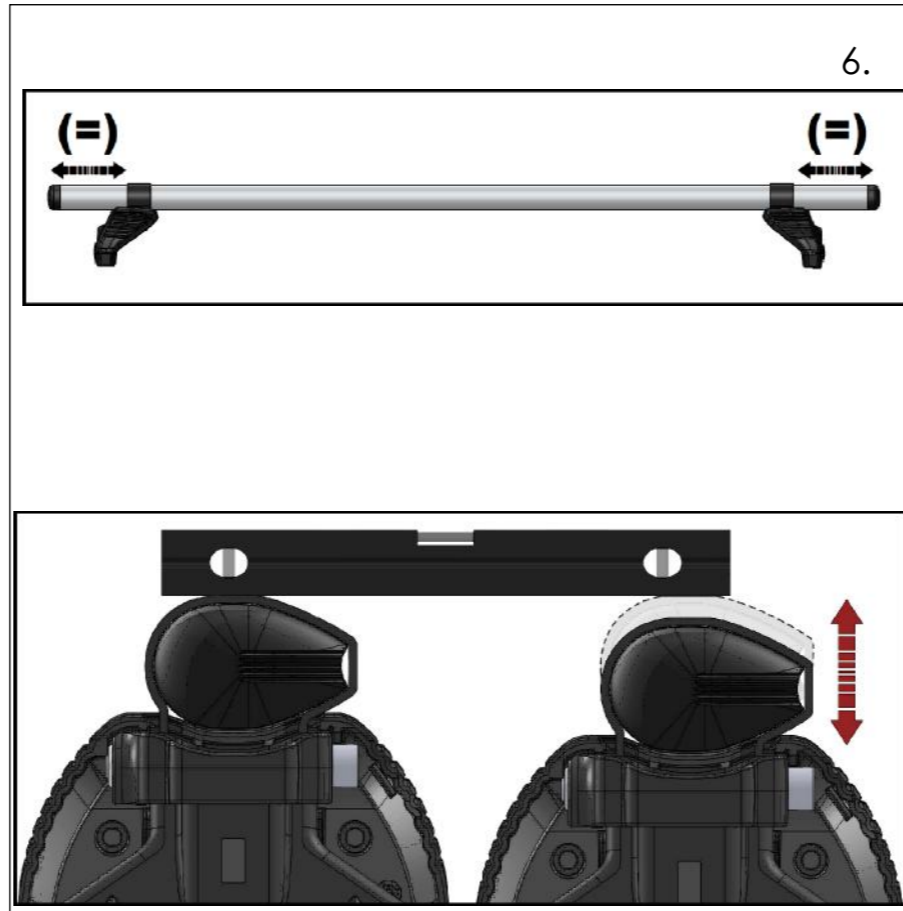
VW CADDY5 2020-
TYPE DESIGNATION FORM A

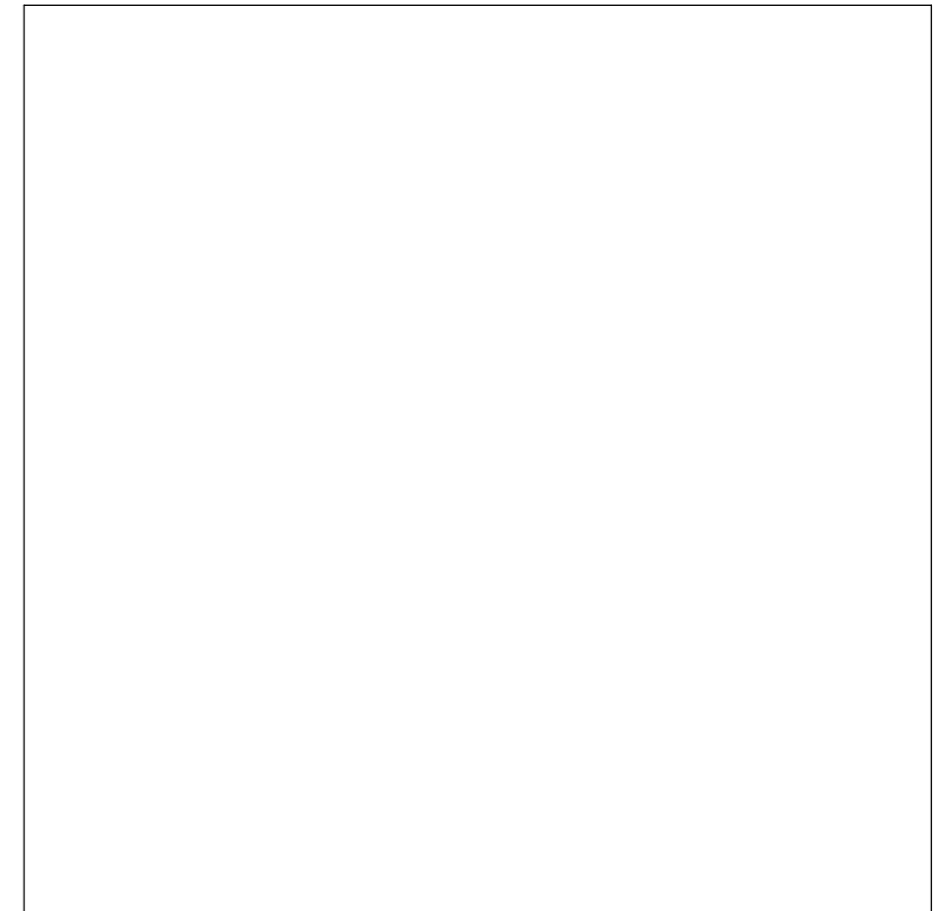
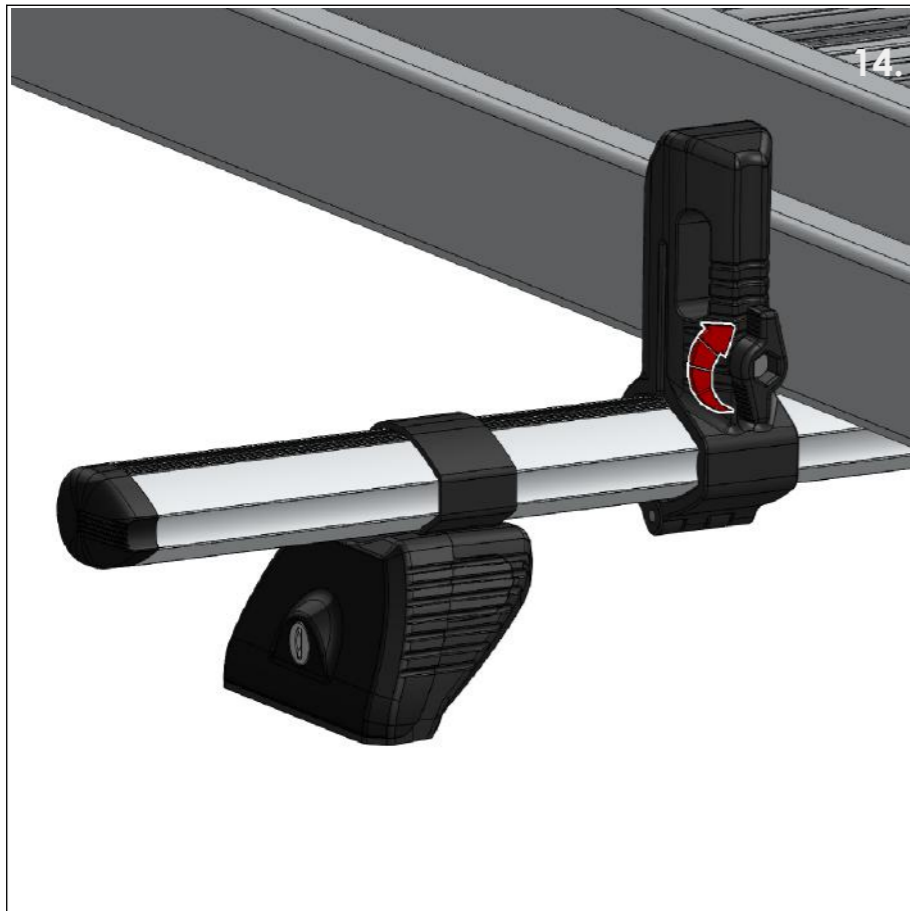


13mm x 1







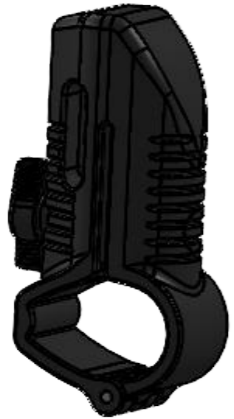




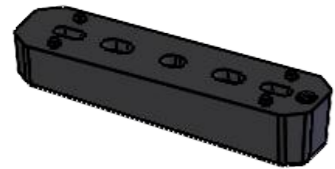
SA055 x 4



SA056 x 4



SA070 x 4



PS176 x 4



PS404 x 4



PS023 x 4



PS319 x 4



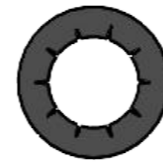
FS061 (M8 x 35) x 4



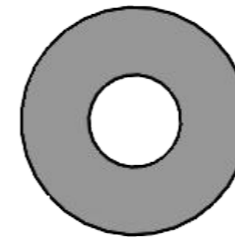
FS081 (M8 x 50) x 4



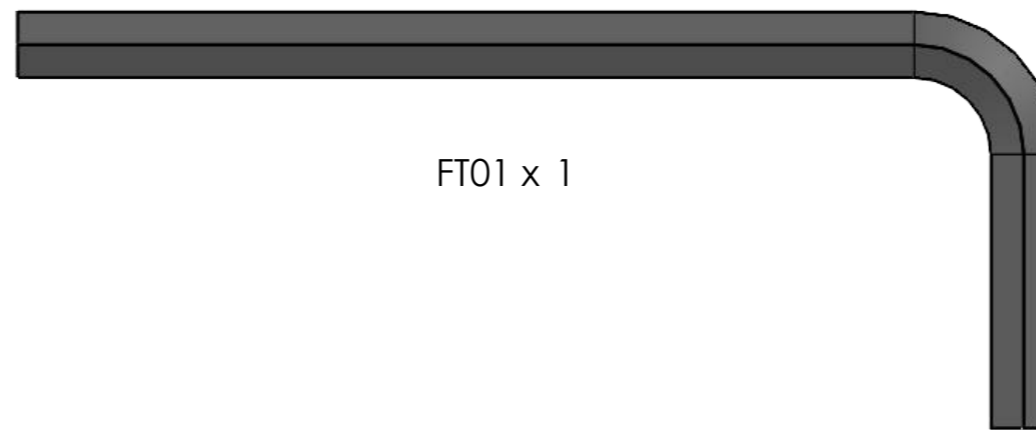
PS208 (M8) x 8



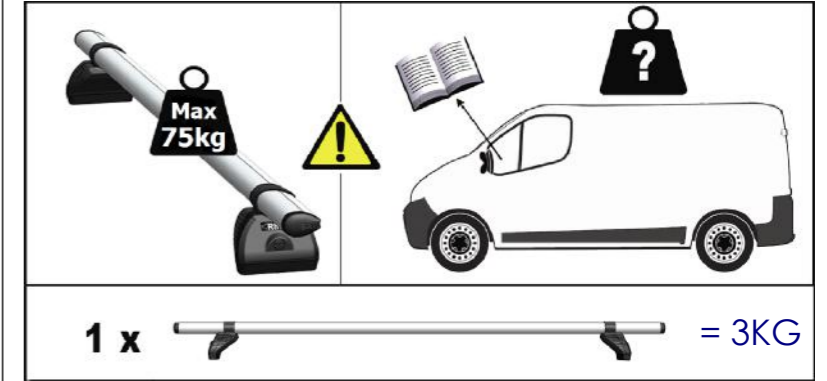
FW009 (M8) x 8



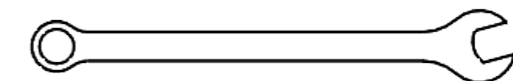
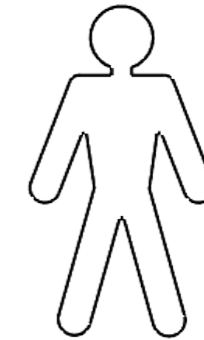
FW002 (M8) x 8



FT01 x 1



VW CADDY5 2020-
TYPE DESIGNATION FORM A



13mm x 1

