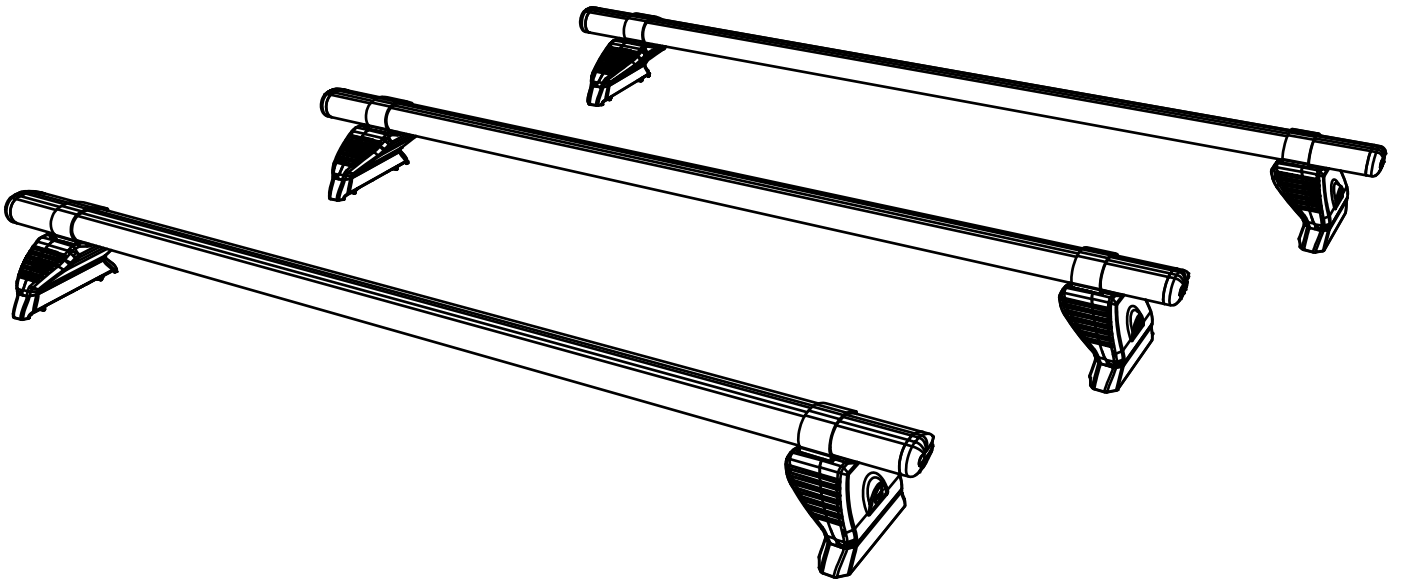
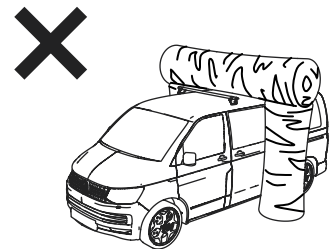
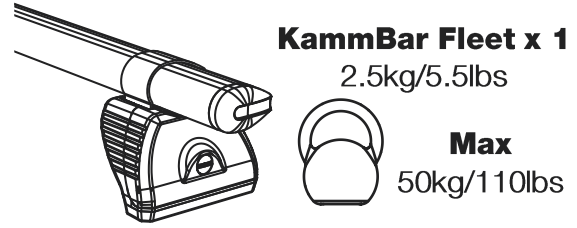
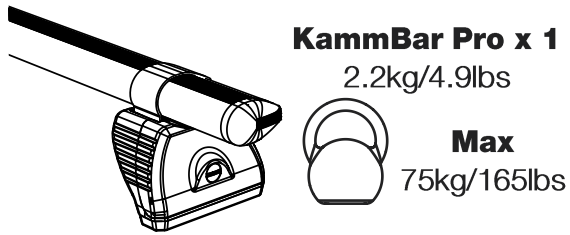


IA3PR/FL KammBar Instructions

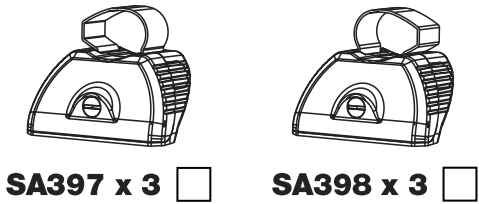
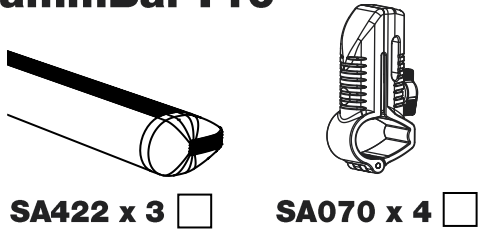


CITY CRASH (✓)

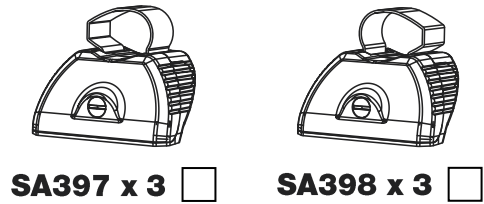
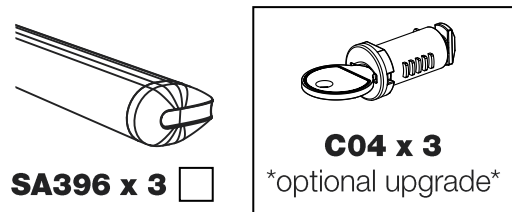
According to ISO/ PAS 11154:2006



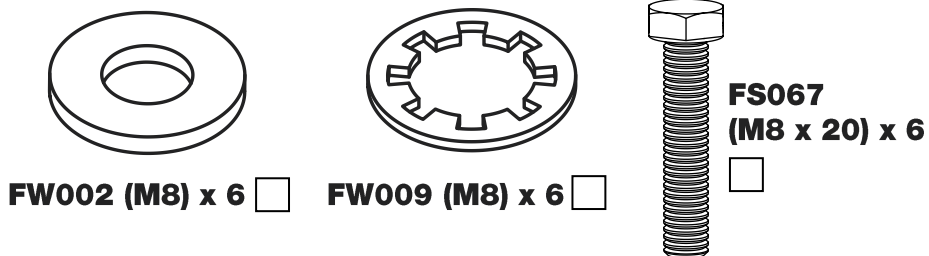
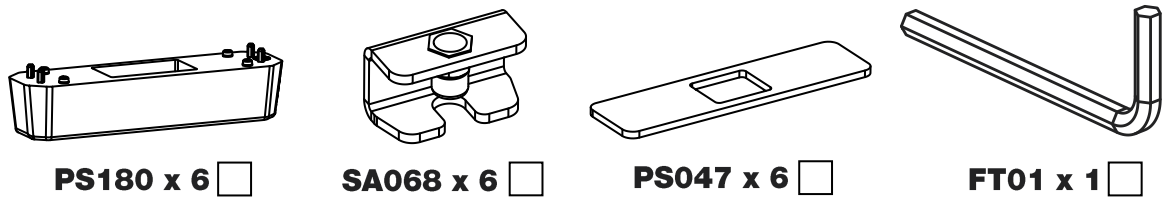
KammBar Pro



KammBar Fleet



Fitting Kit



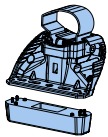
1.



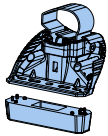
2.



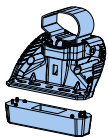
3.



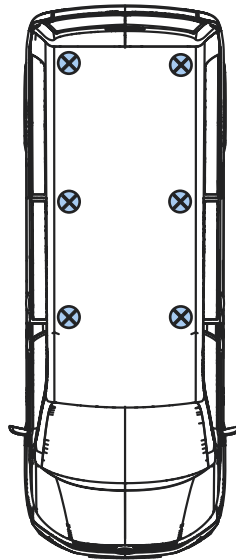
SA397
PS180



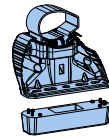
SA397
PS180



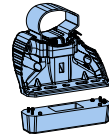
SA397
PS180



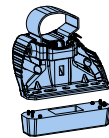
SA398
PS180



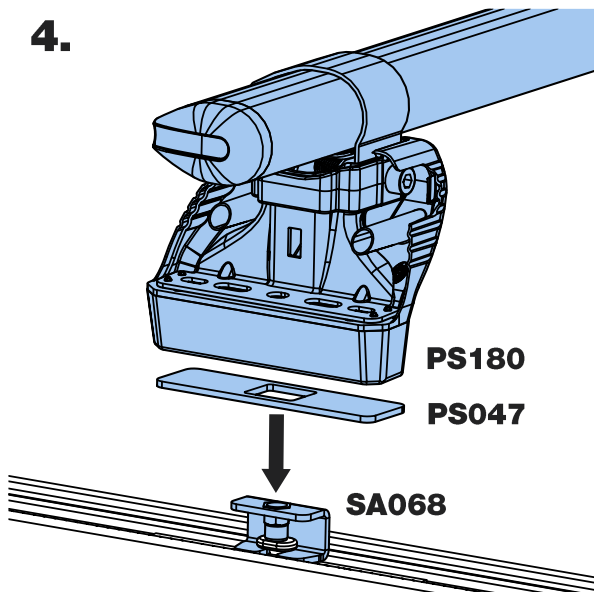
SA398
PS180



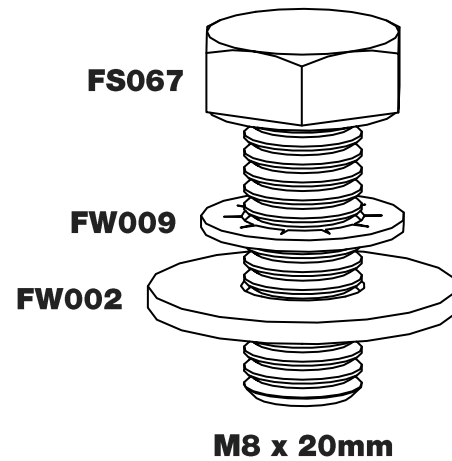
SA398
PS180



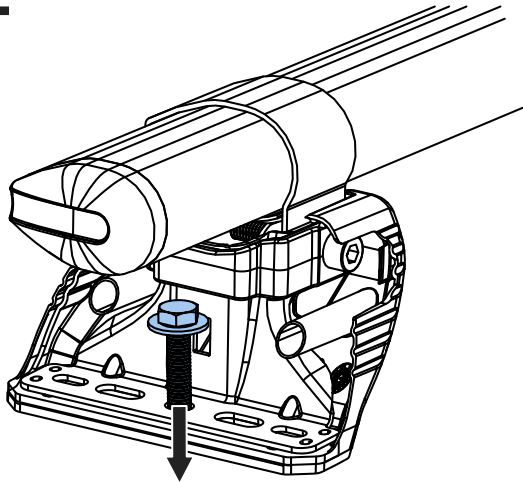
4.



5.

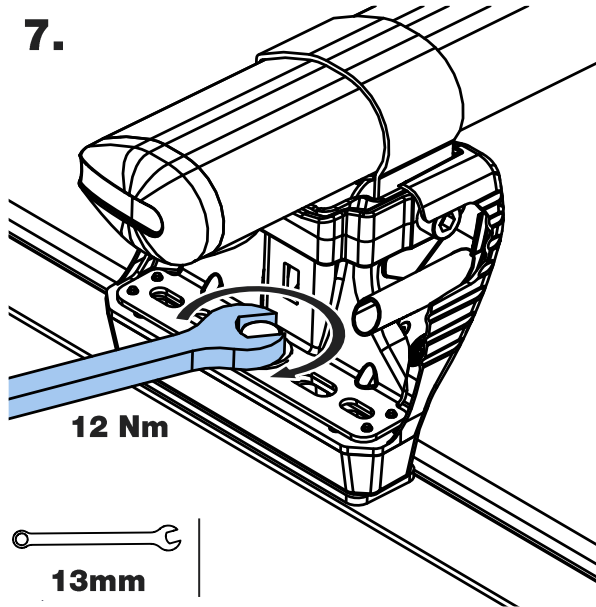


6.



PS180 + M8 x 20mm

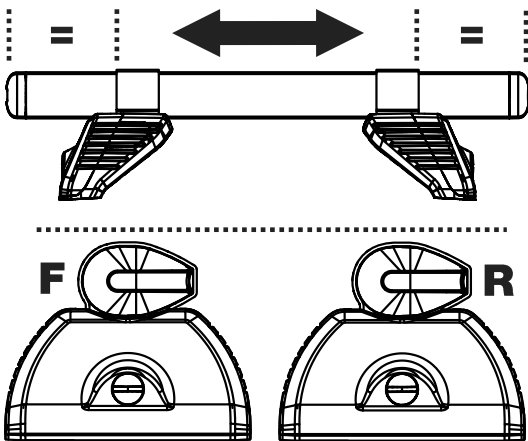
7.



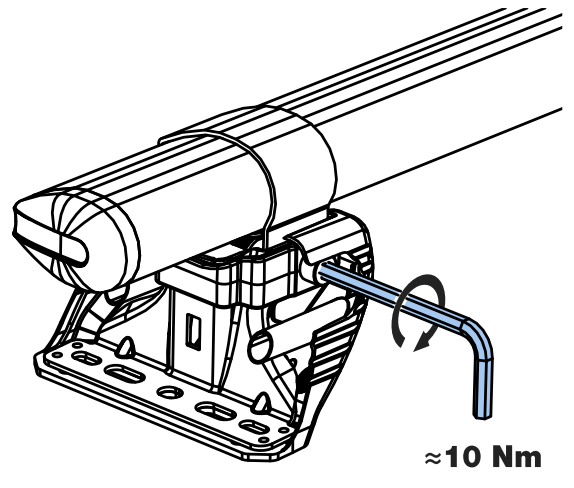
12 Nm



8.

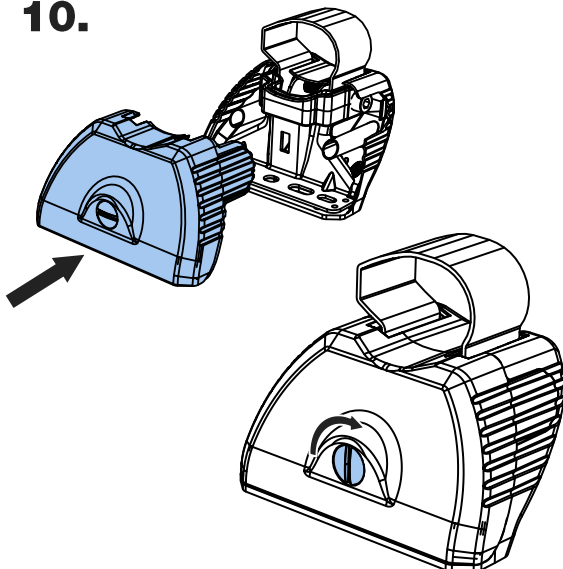


9.

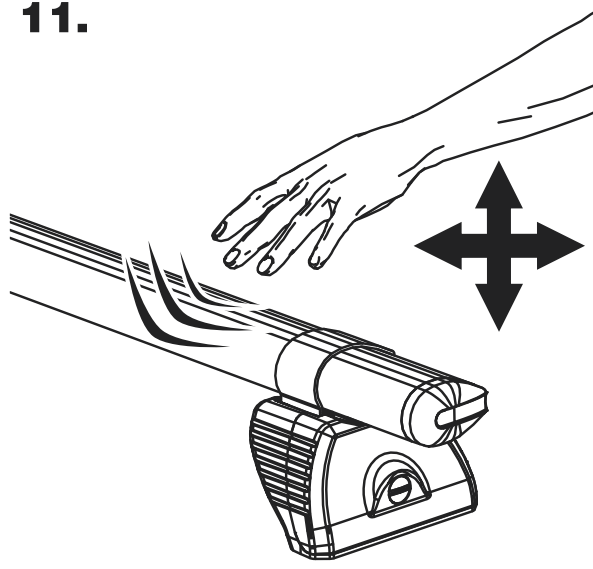


≈10 Nm

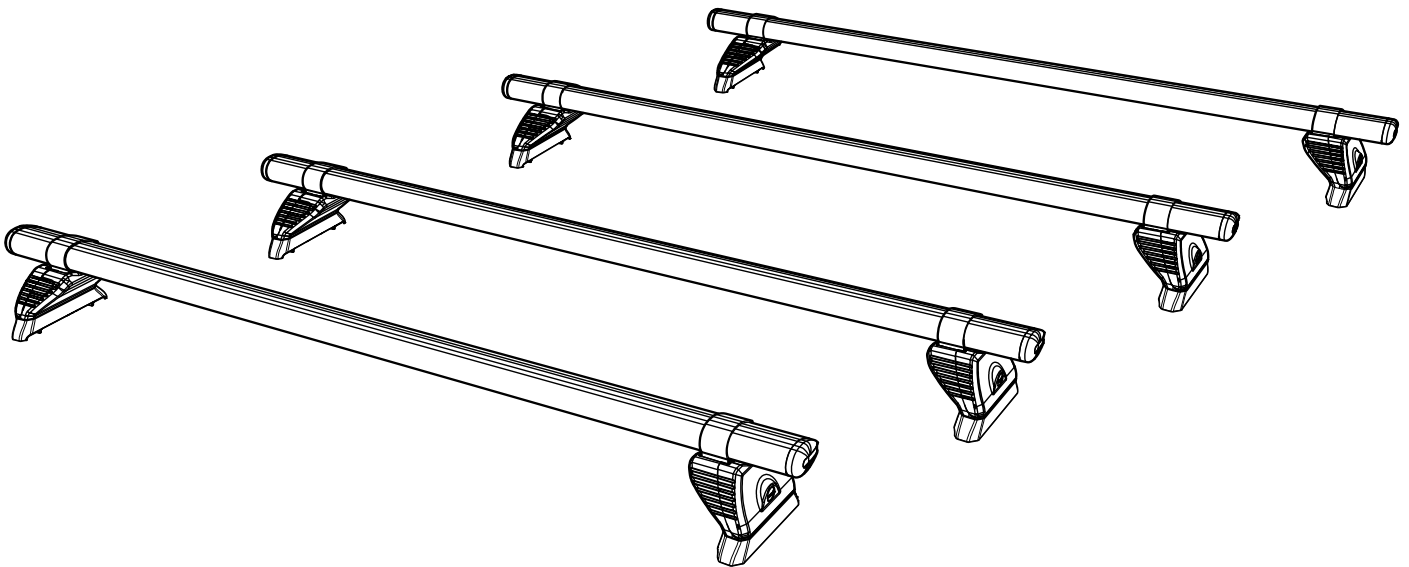
10.



11.

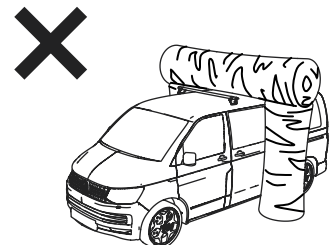
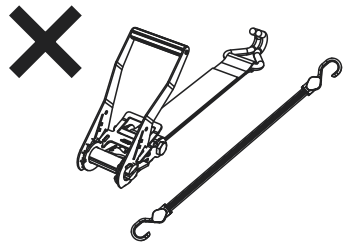
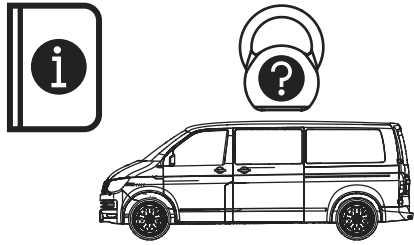
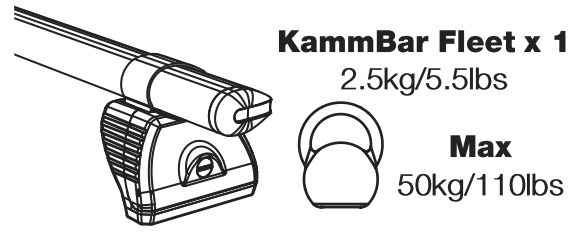
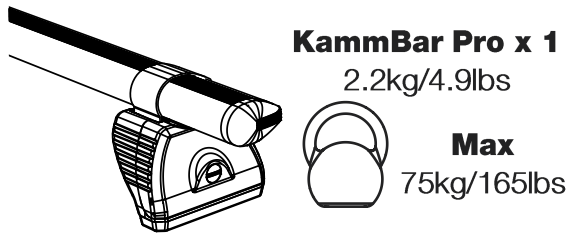


IA4PR/FL KammBar Instructions

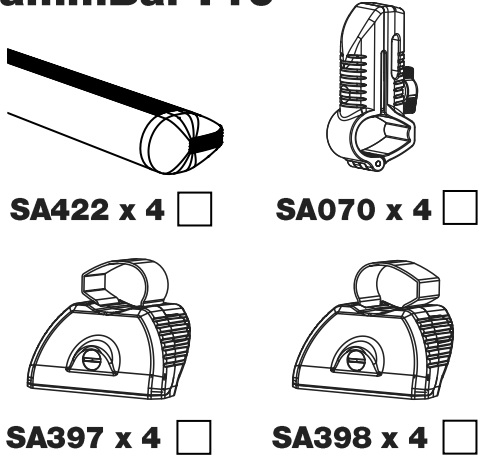


CITY CRASH (✓)

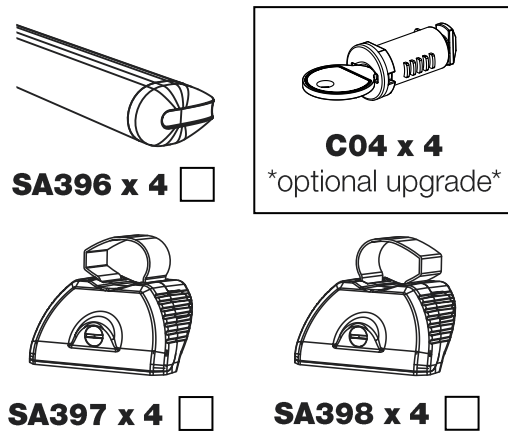
According to ISO/ PAS 11154:2006



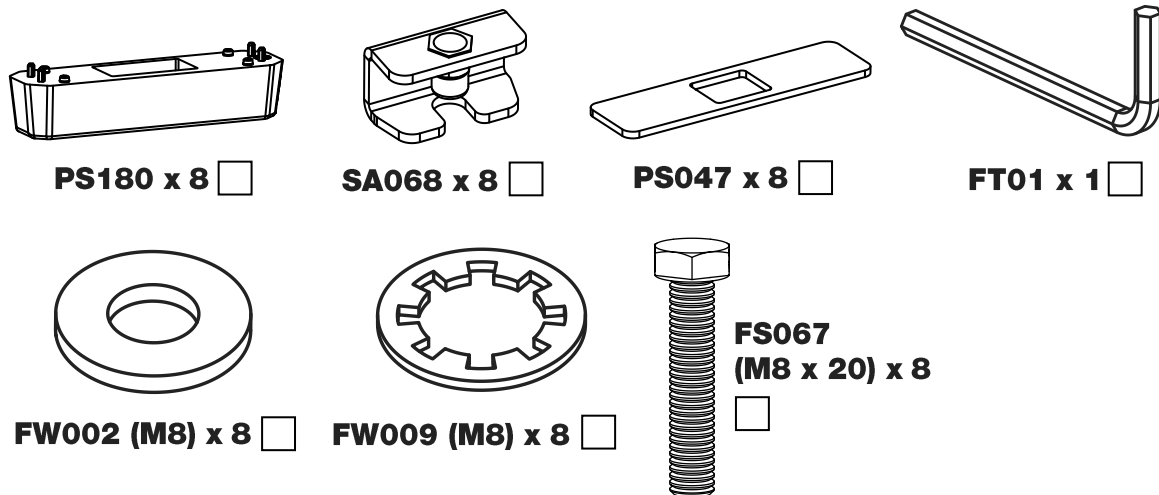
KammBar Pro



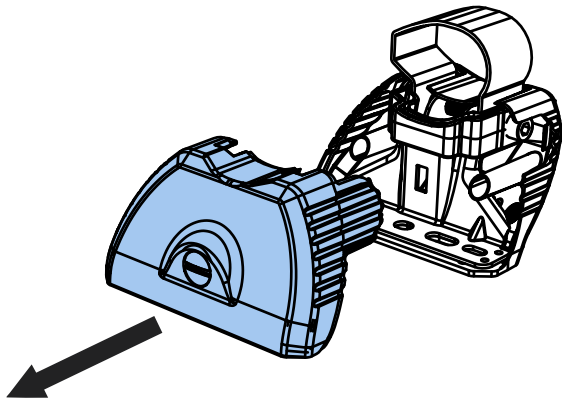
KammBar Fleet



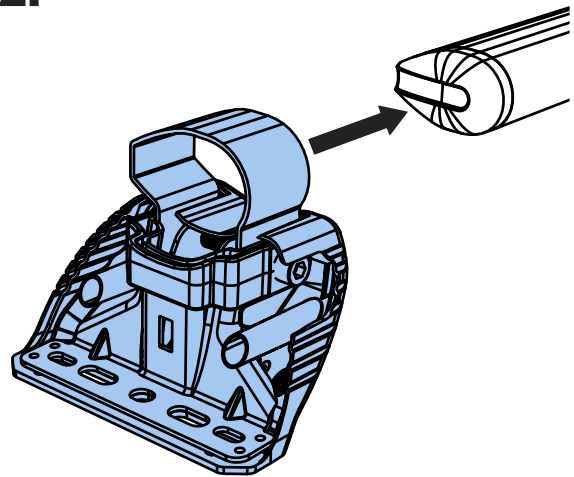
Fitting Kit



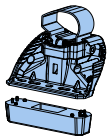
1.



2.

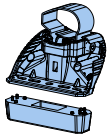


3.



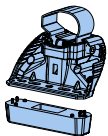
SA397

PS180



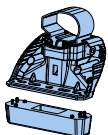
SA397

PS180



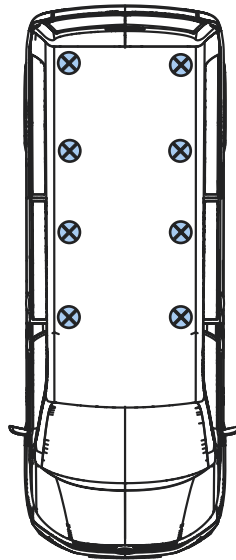
SA397

PS180



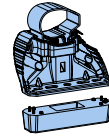
SA397

PS180



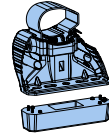
SA398

PS180



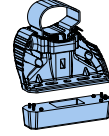
SA398

PS180



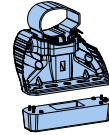
SA398

PS180

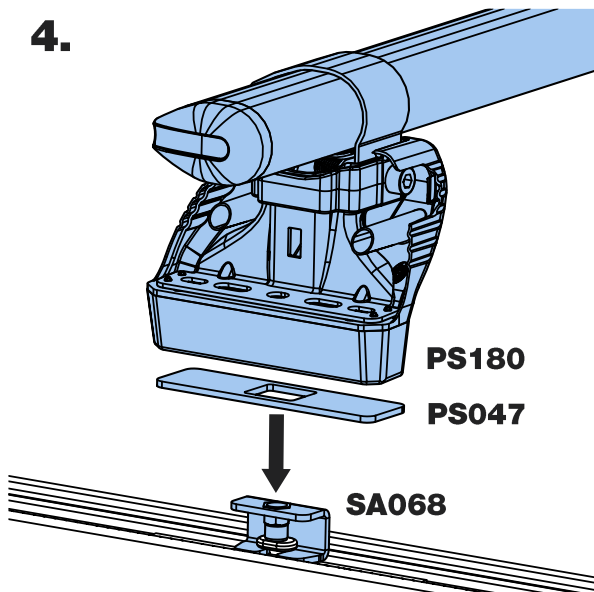


SA398

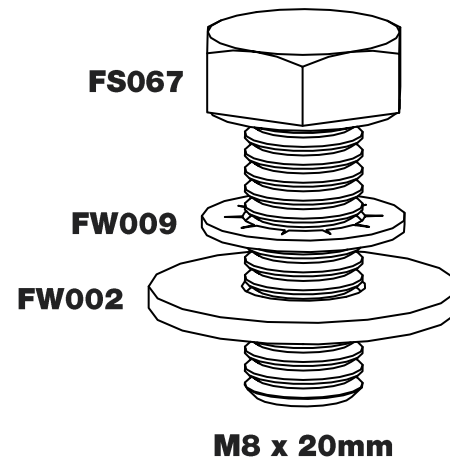
PS180



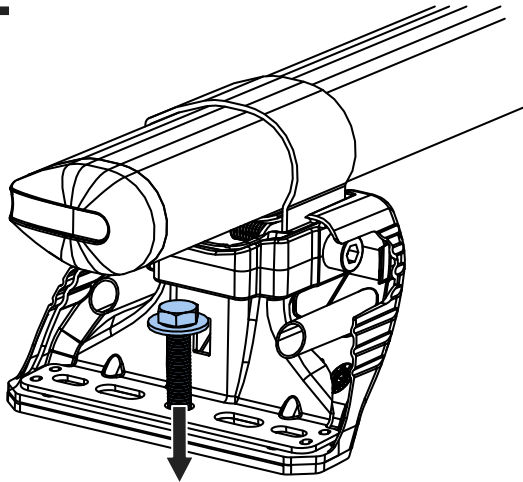
4.



5.

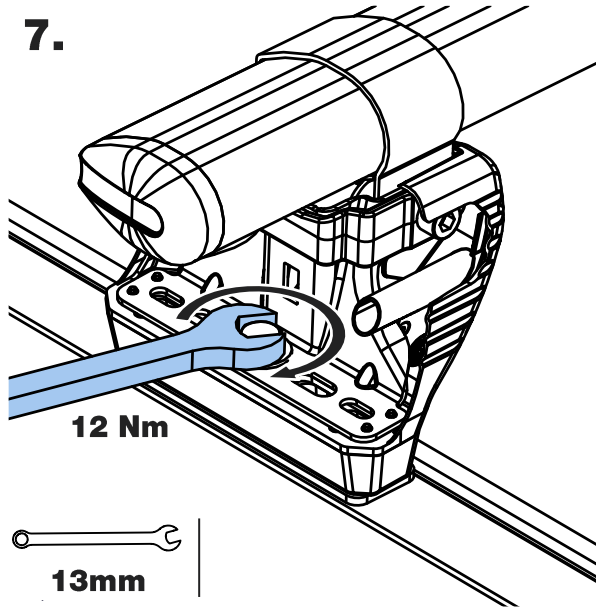


6.



PS180 + M8 x 20mm

7.

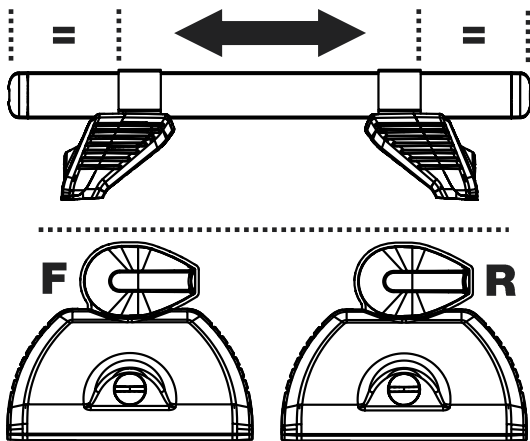


12 Nm

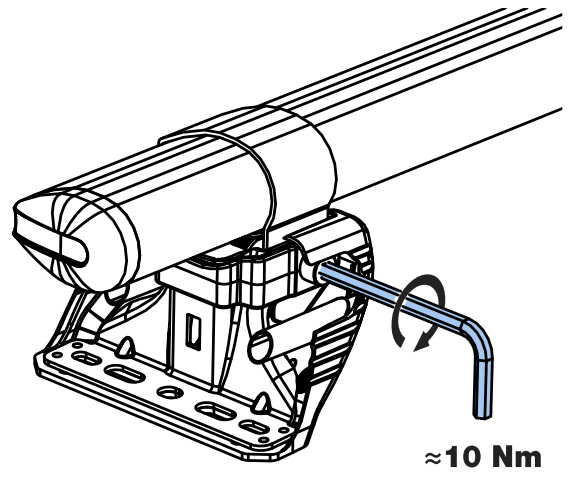


13mm

8.

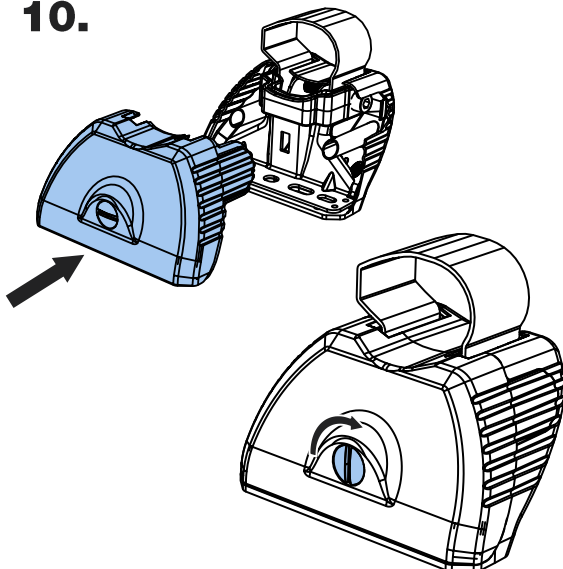


9.

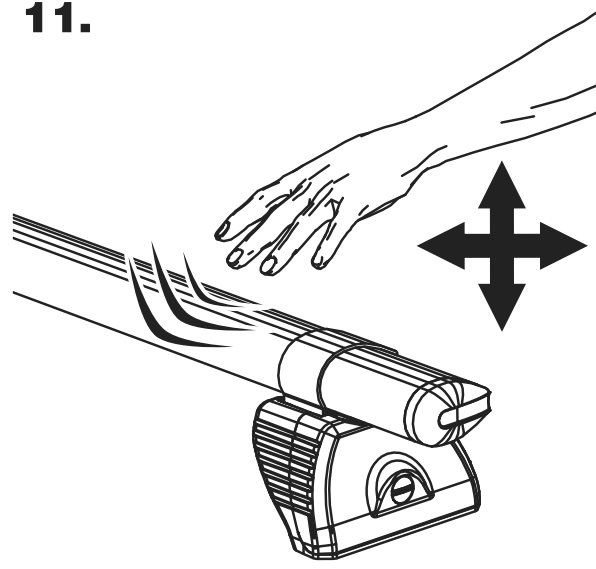


≈10 Nm

10.



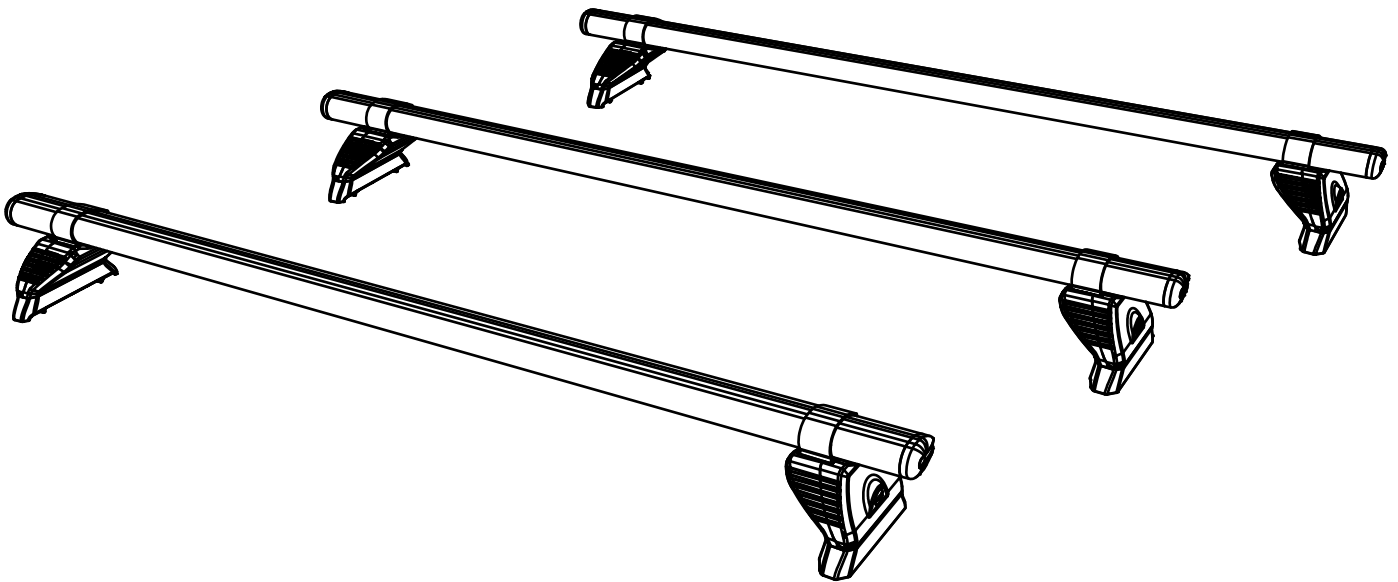
11.



QA3PR/FL

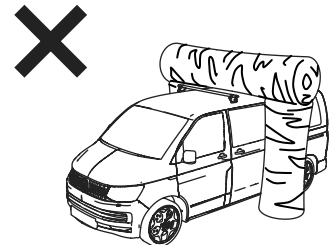
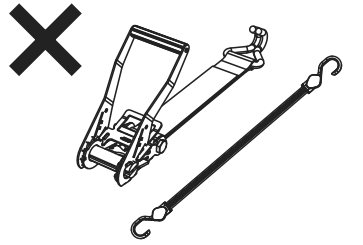
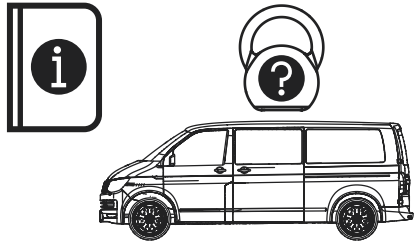
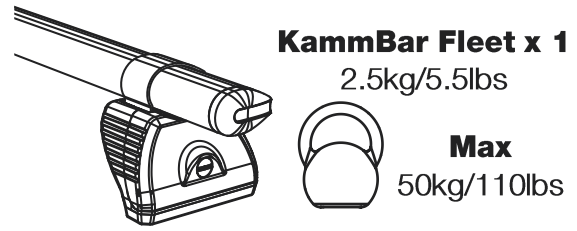
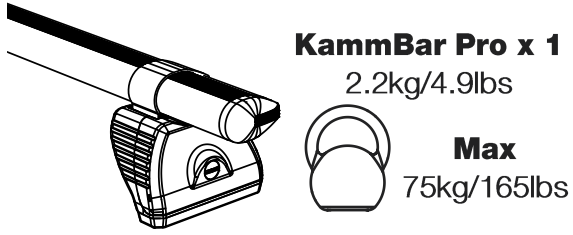
KammBar

Instructions

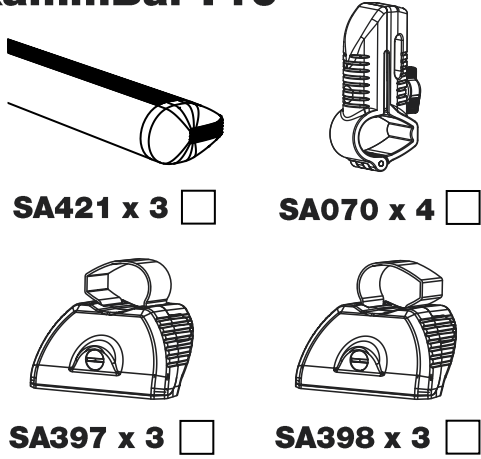


CITY CRASH (✓)

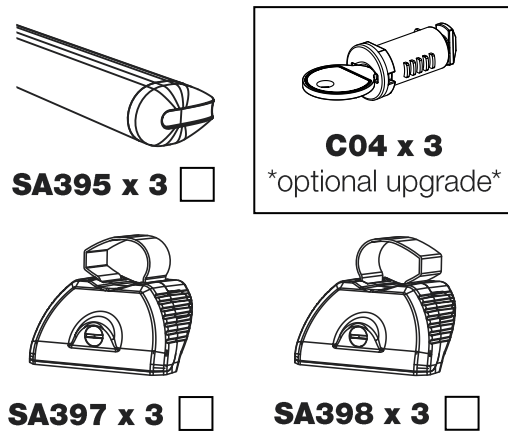
According to ISO/ PAS 11154:2006



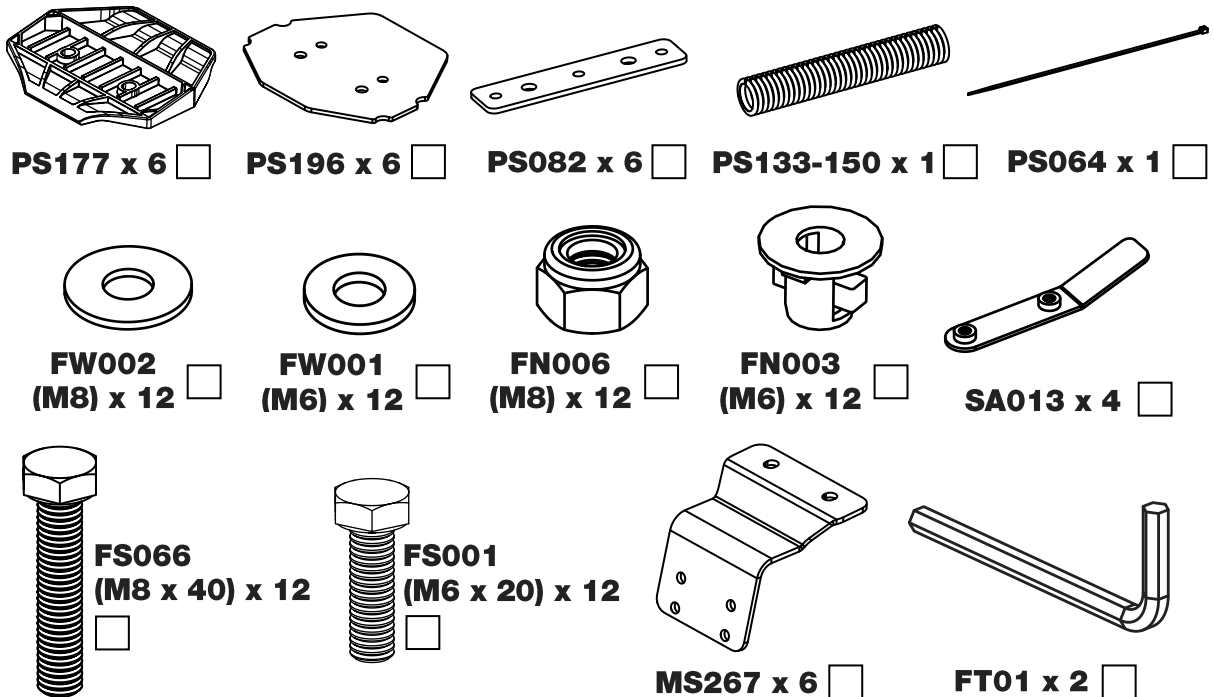
KammBar Pro



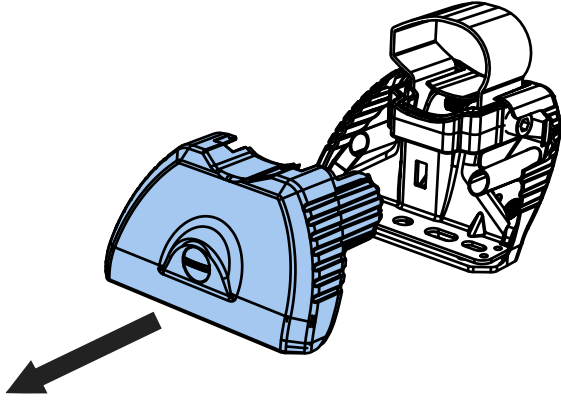
KammBar Fleet



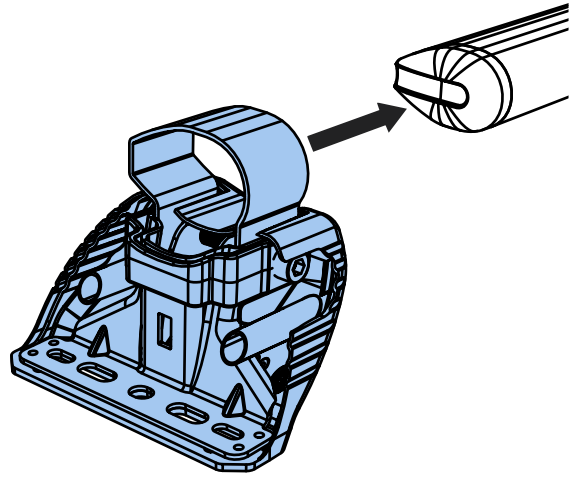
Fitting Kit



1.



2.



3.



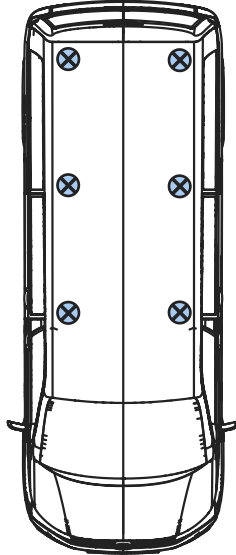
SA397
PS177



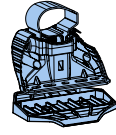
SA397
PS177



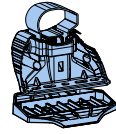
SA397
PS177



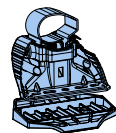
SA398
PS177



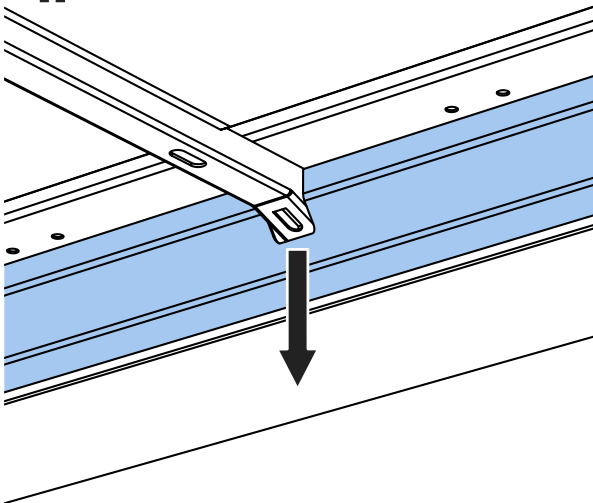
SA398
PS177



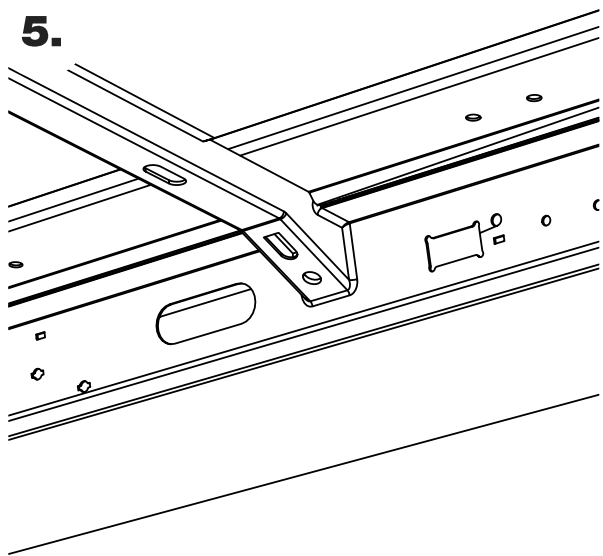
SA398
PS177

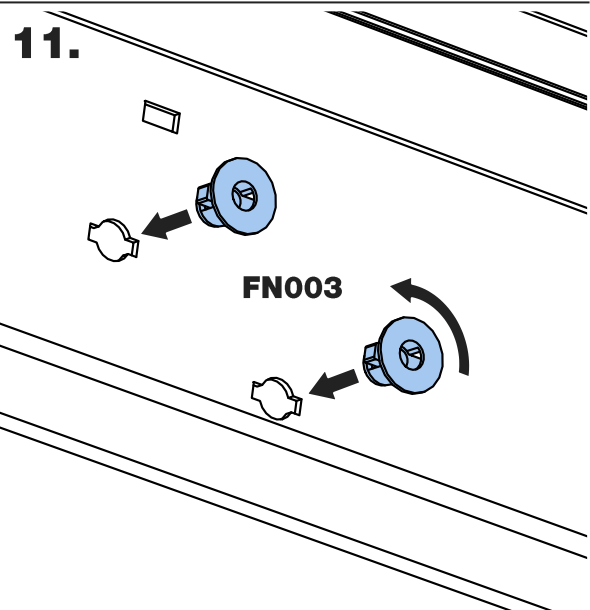
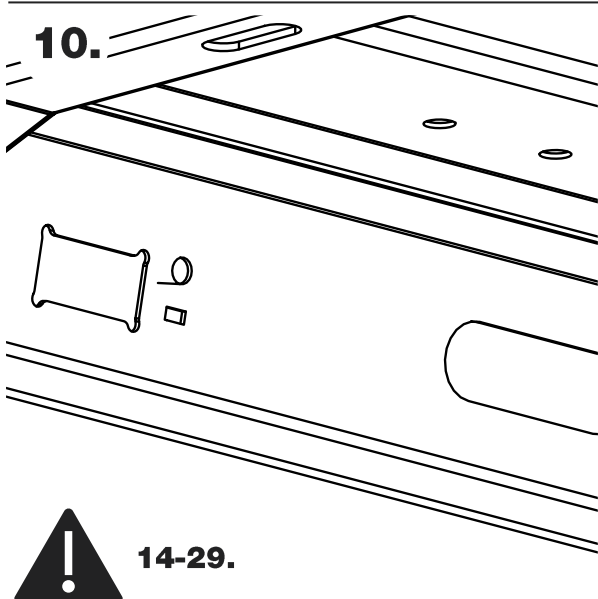
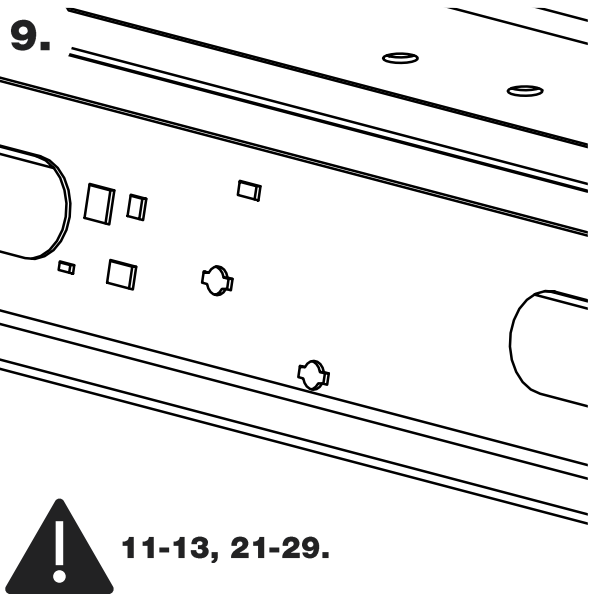
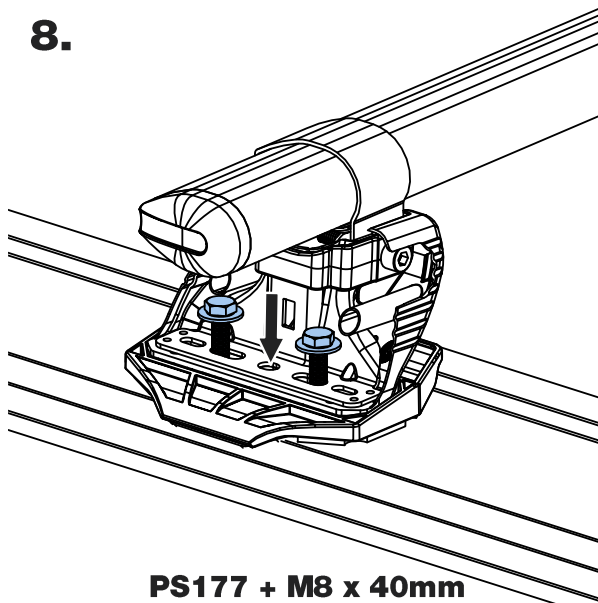
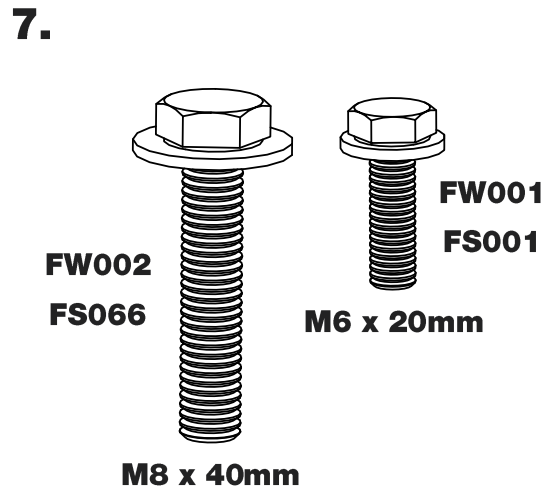
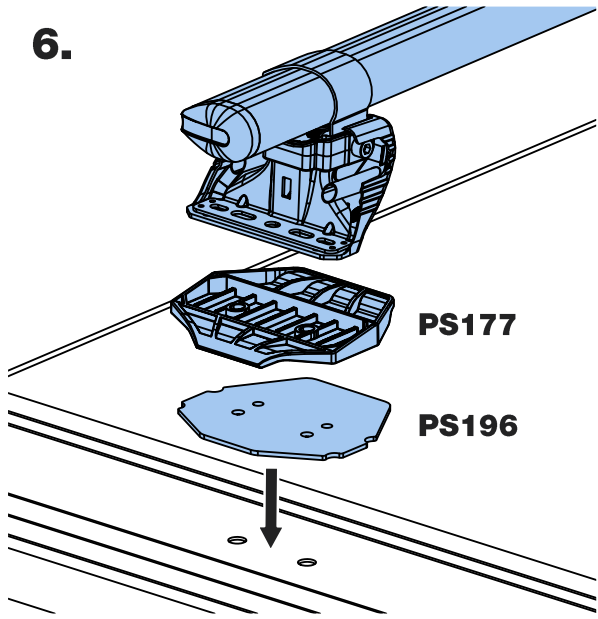


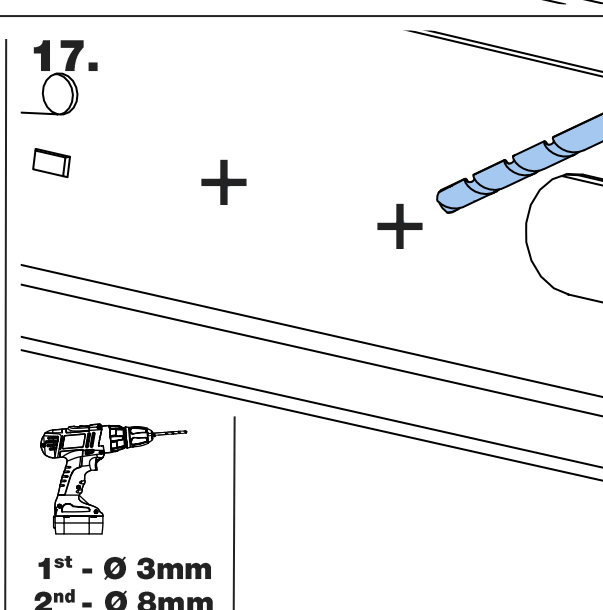
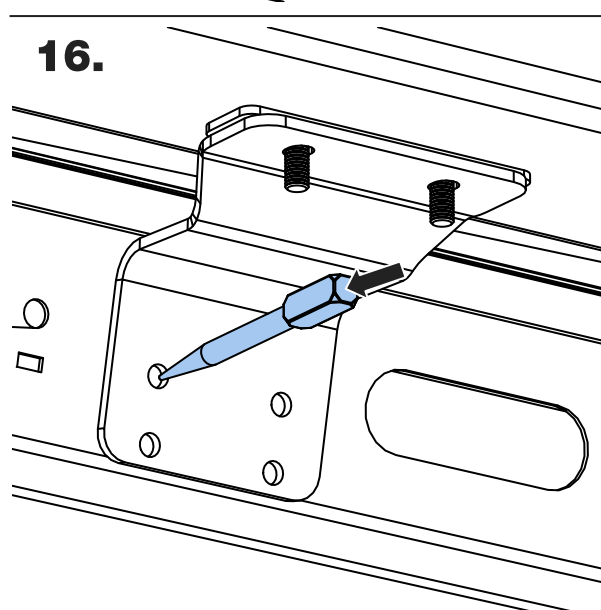
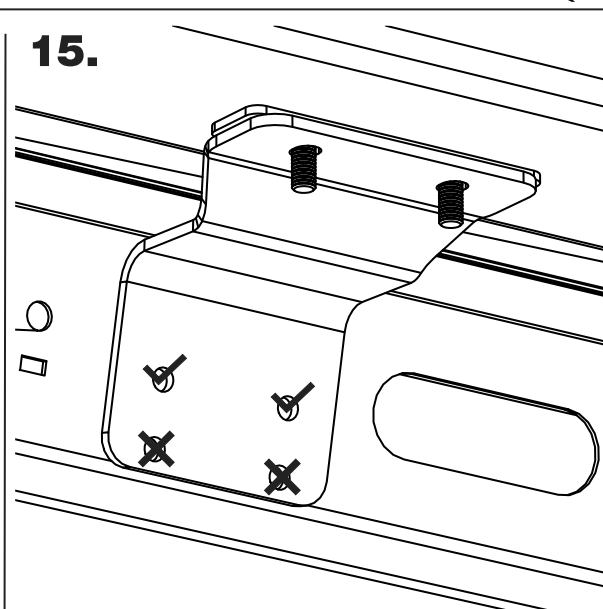
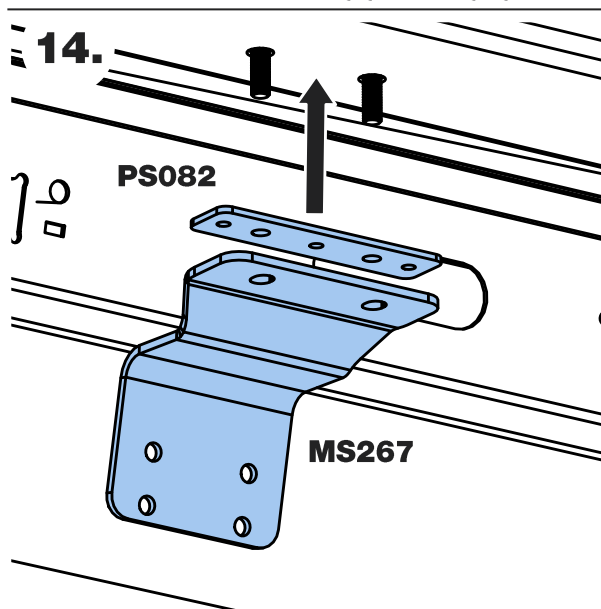
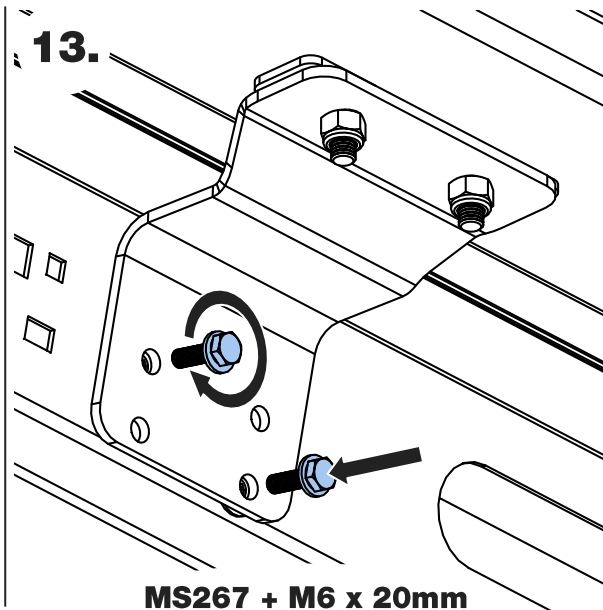
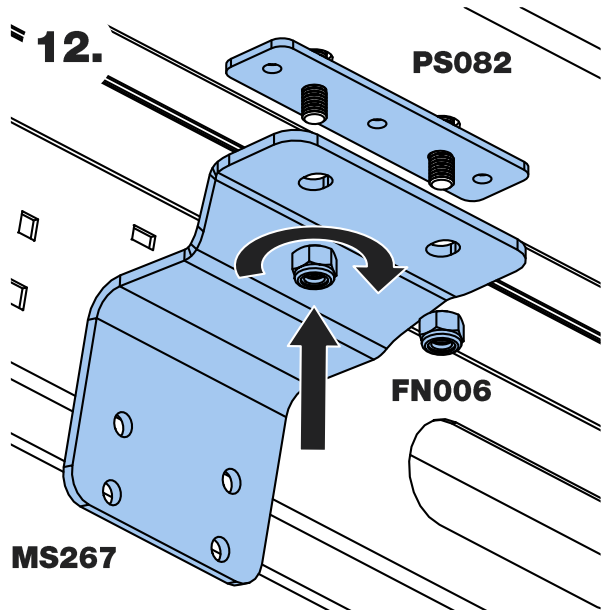
4.

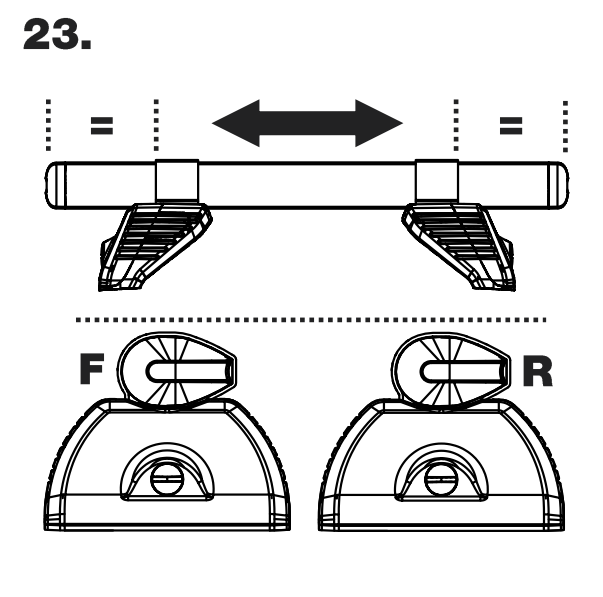
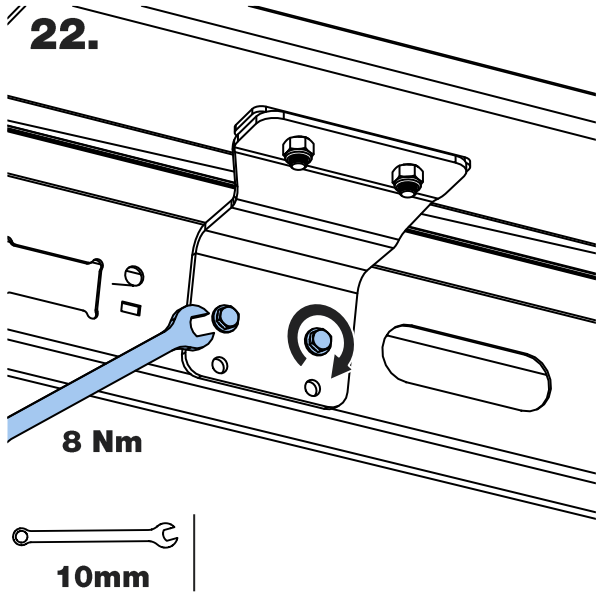
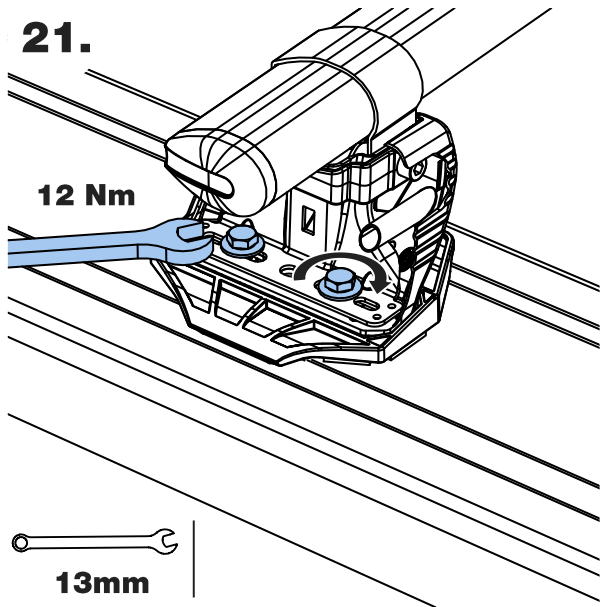
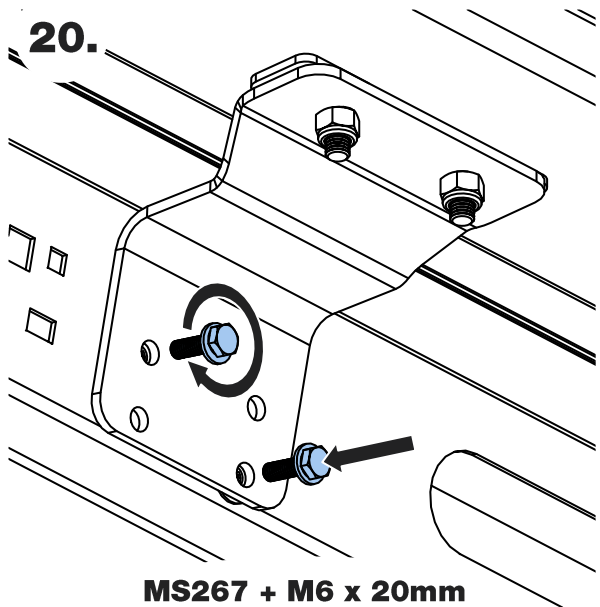
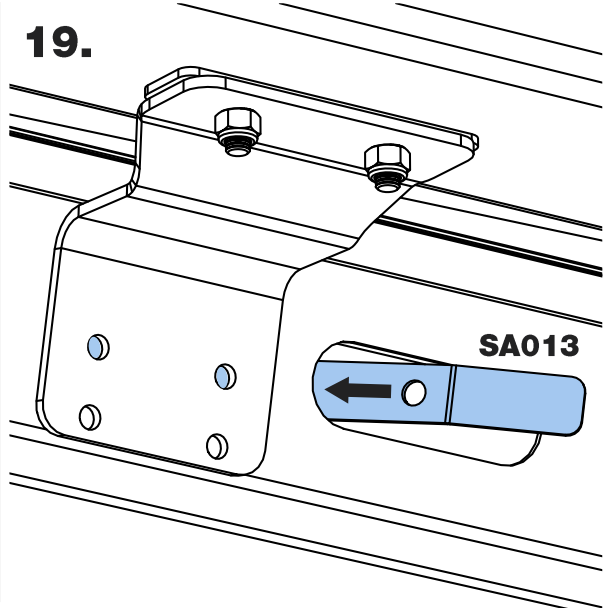
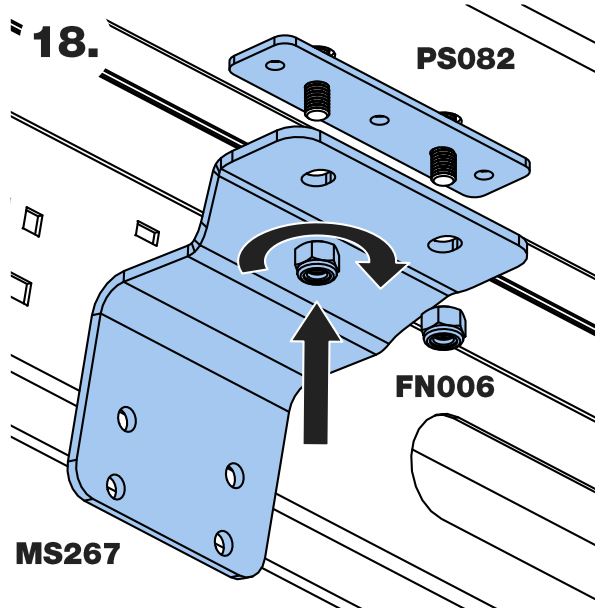


5.

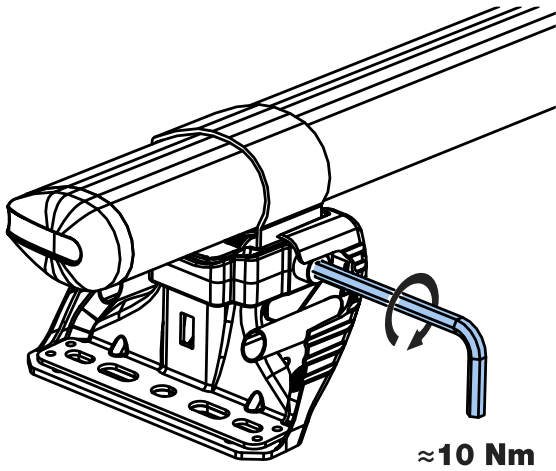




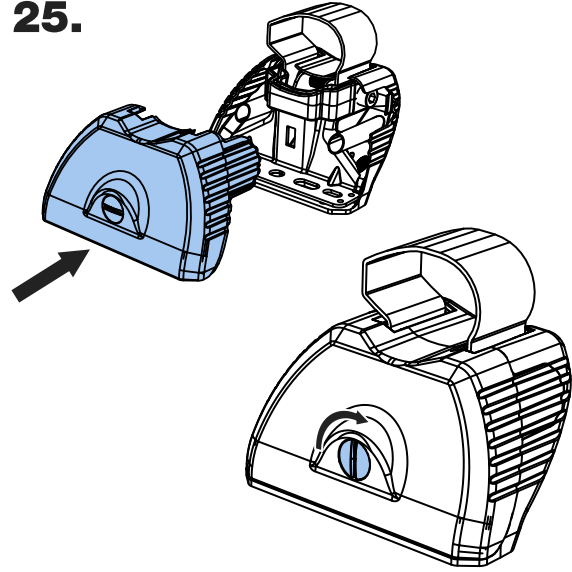




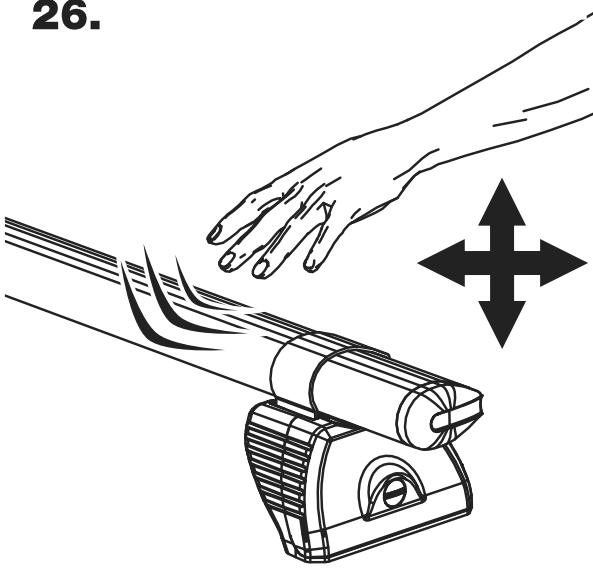
24.



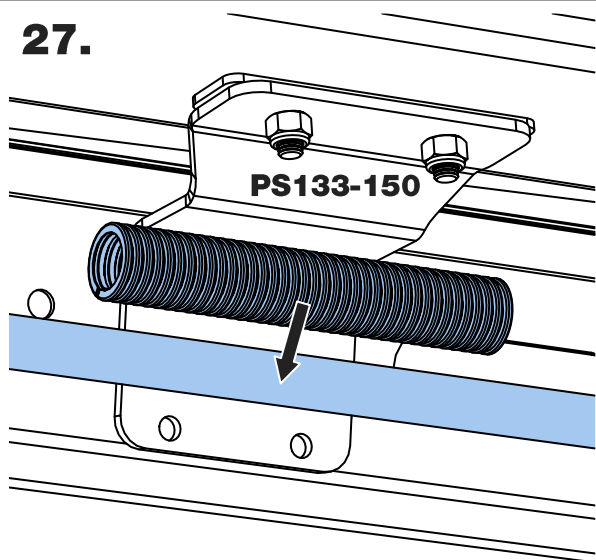
25.



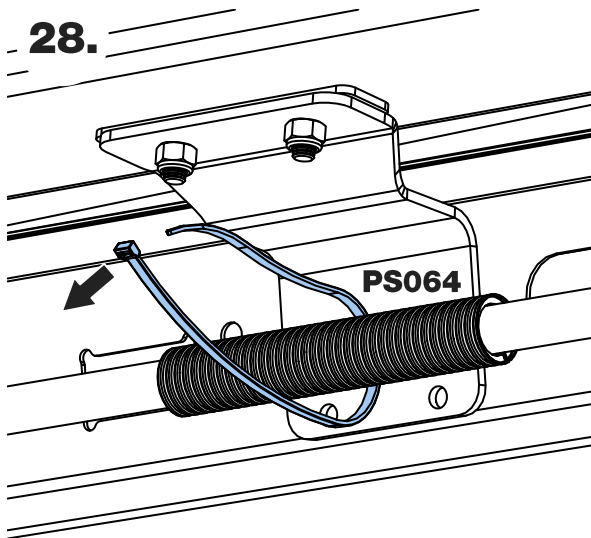
26.



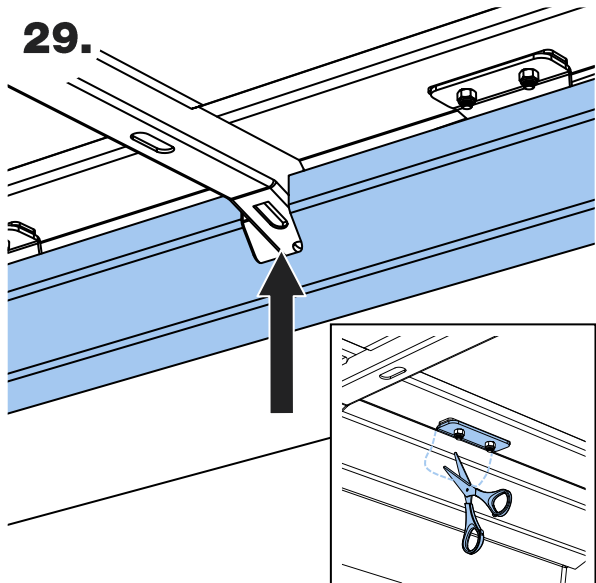
27.



28.

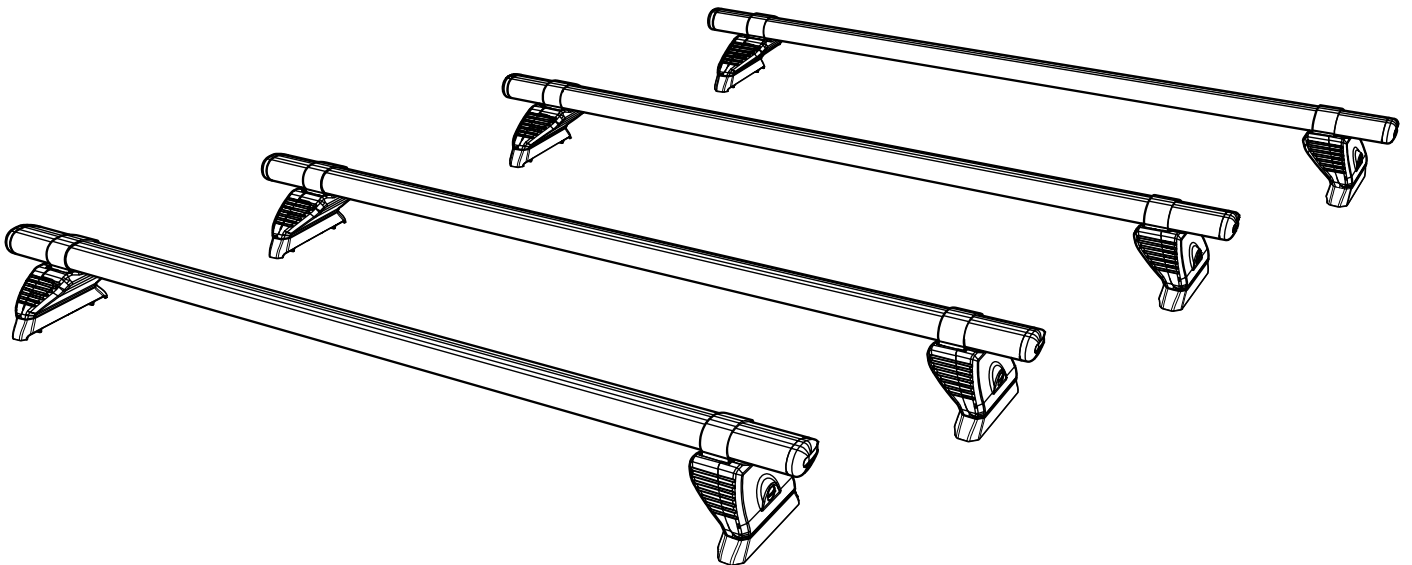


29.



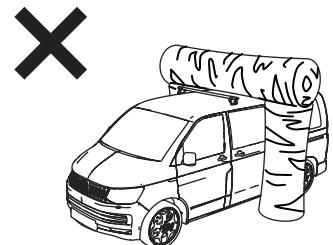
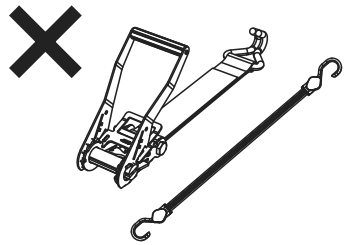
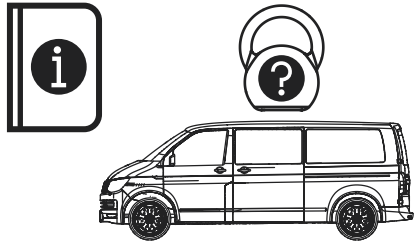
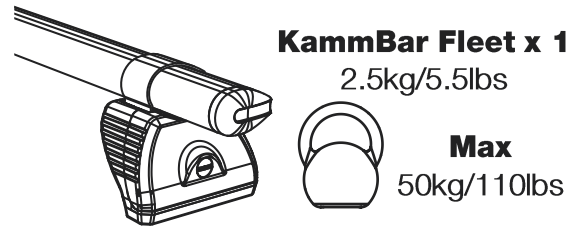
QA4PR/FL KammBar

Instructions

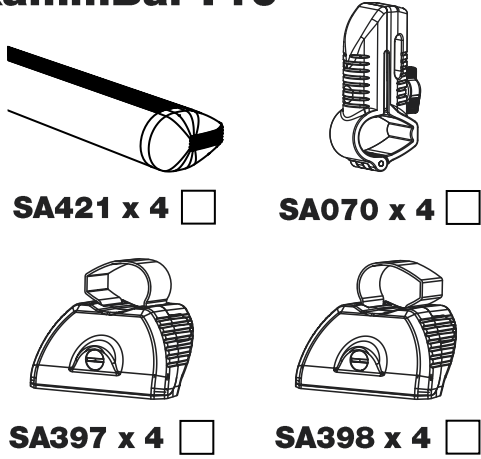


CITY CRASH (✓)

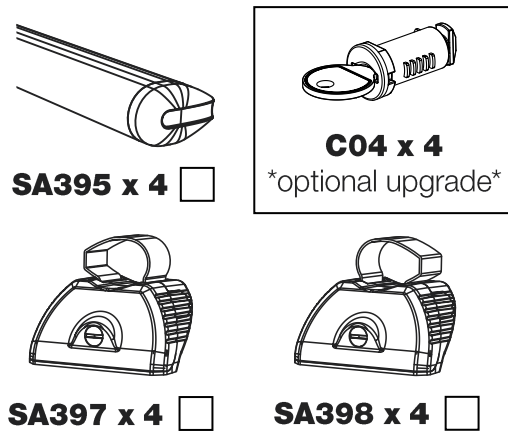
According to ISO/ PAS 11154:2006



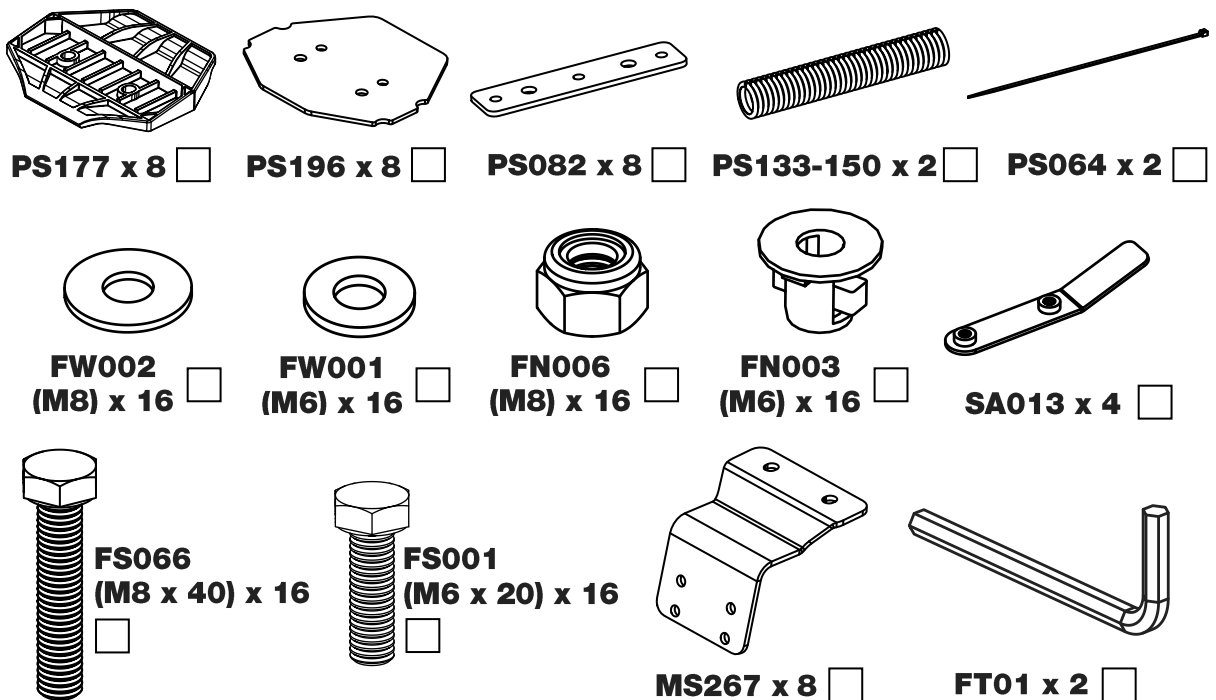
KammBar Pro



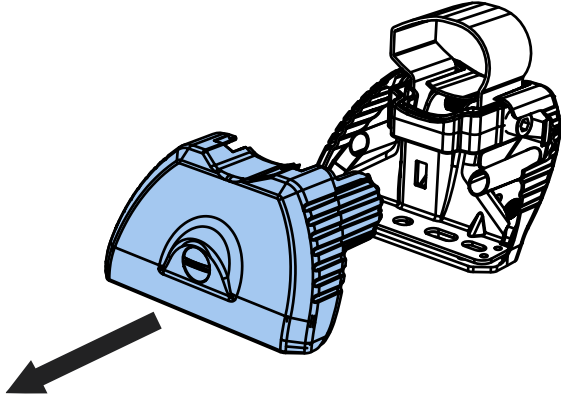
KammBar Fleet



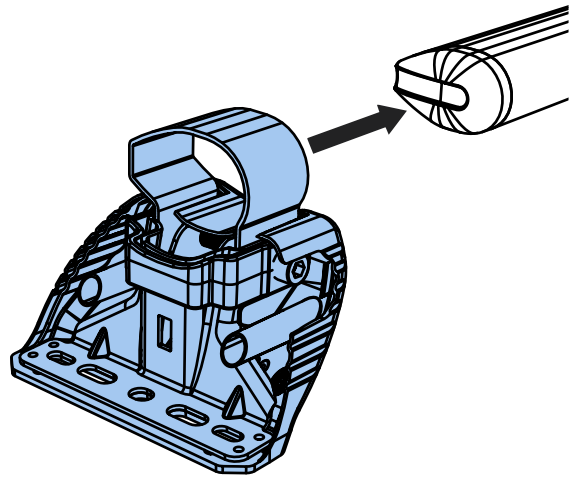
Fitting Kit



1.



2.



3.



SA397

PS177



SA397

PS177



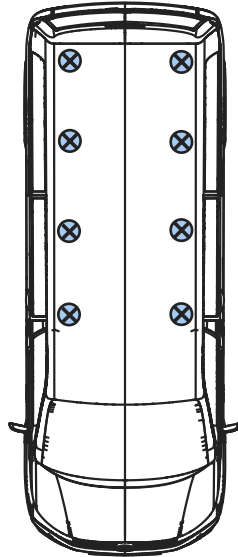
SA397

PS177

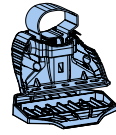


SA397

PS177

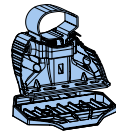


SA398



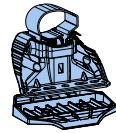
PS177

SA398



PS177

SA398



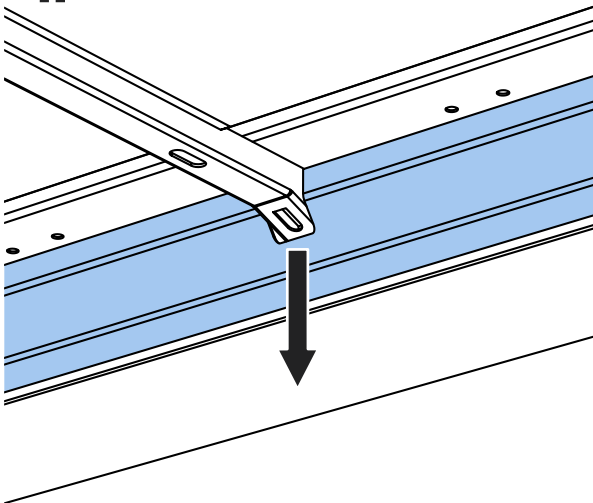
PS177

SA398

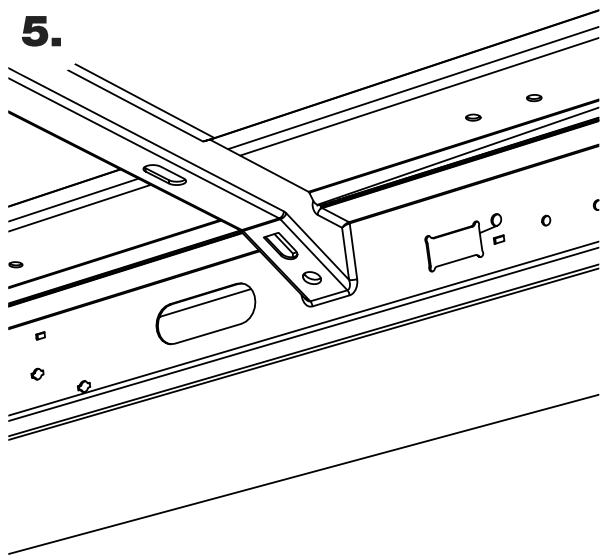


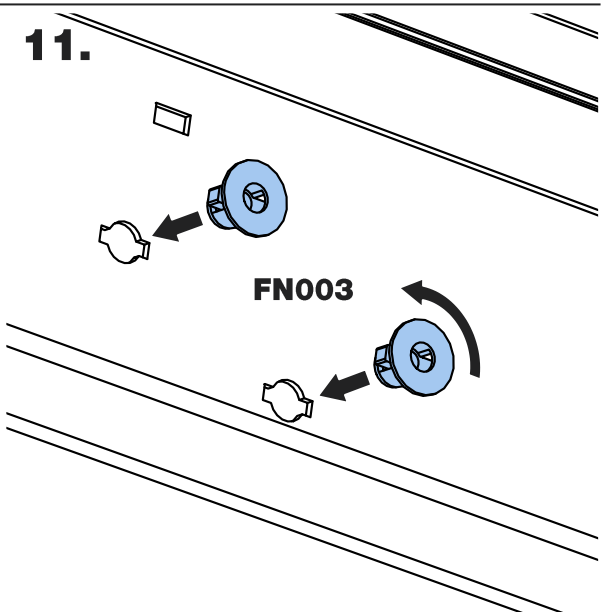
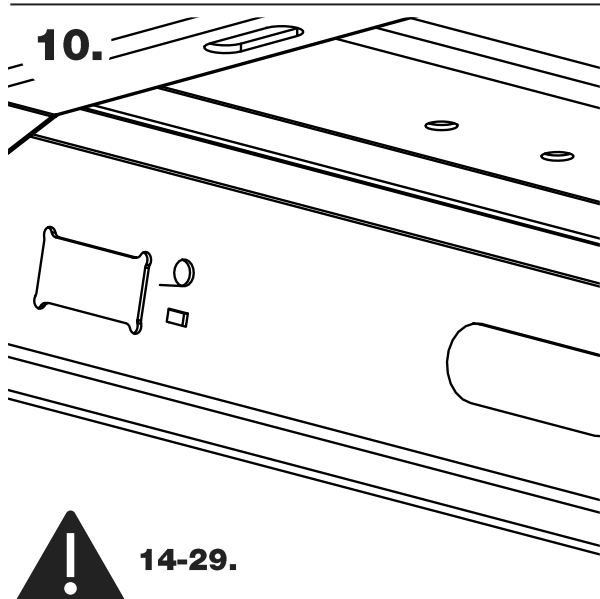
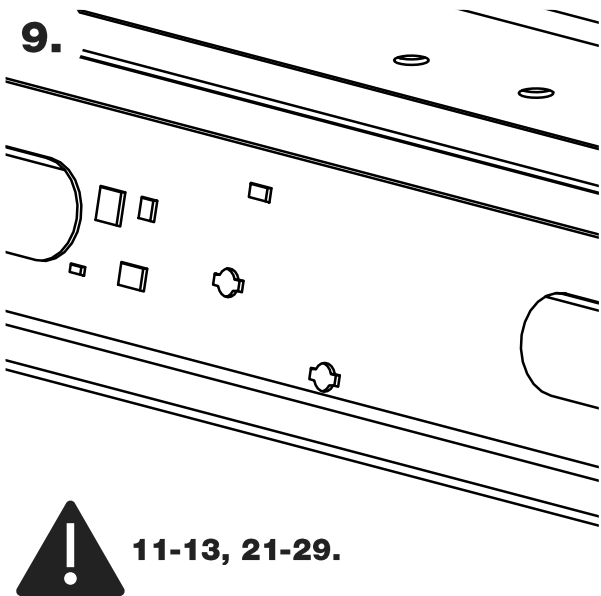
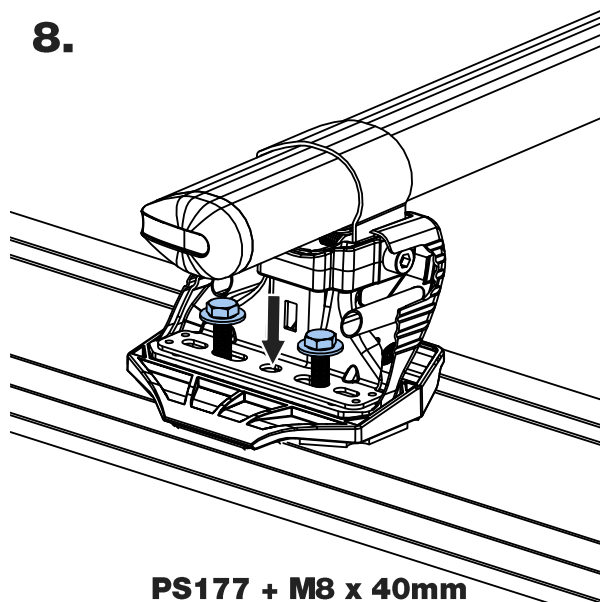
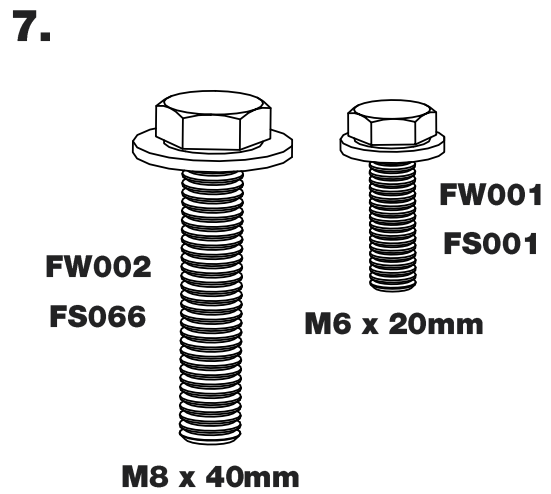
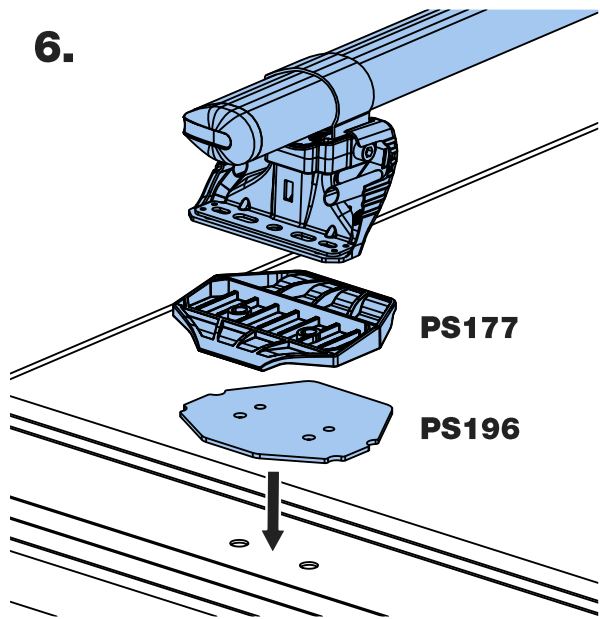
PS177

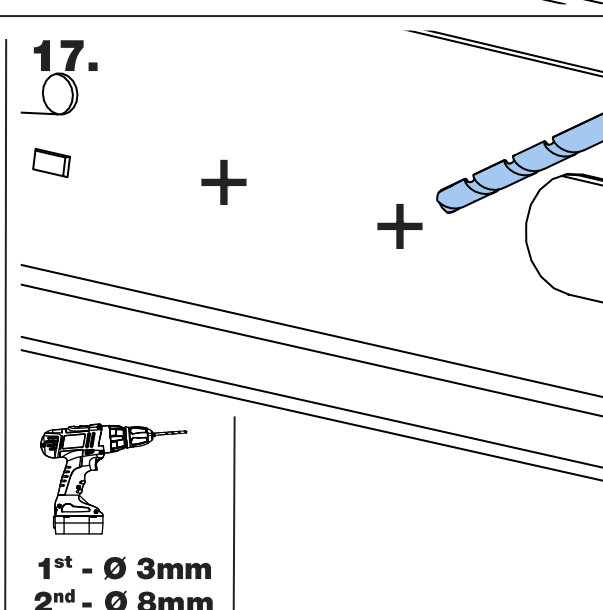
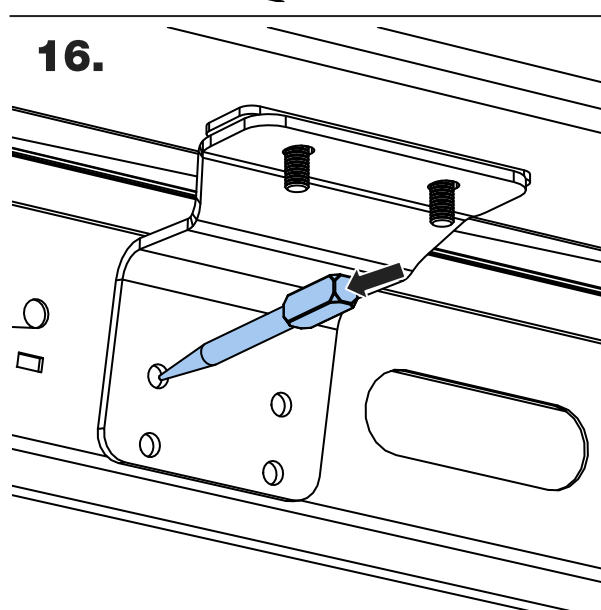
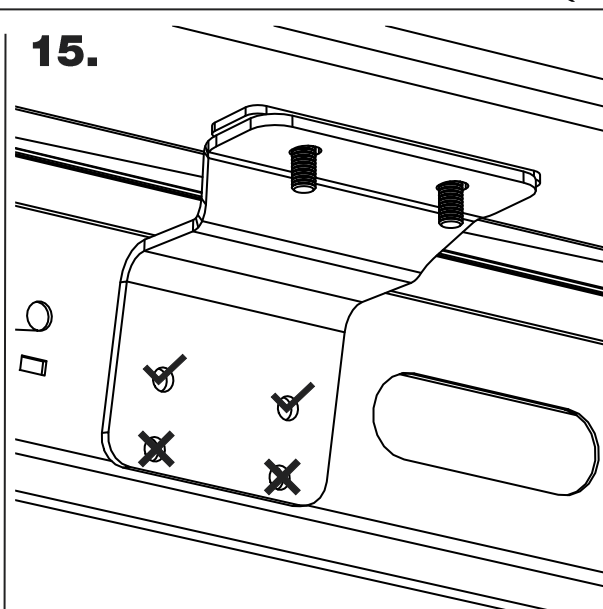
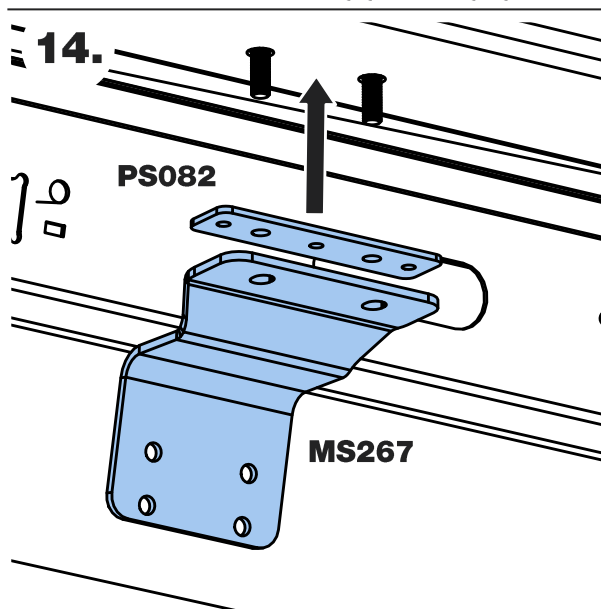
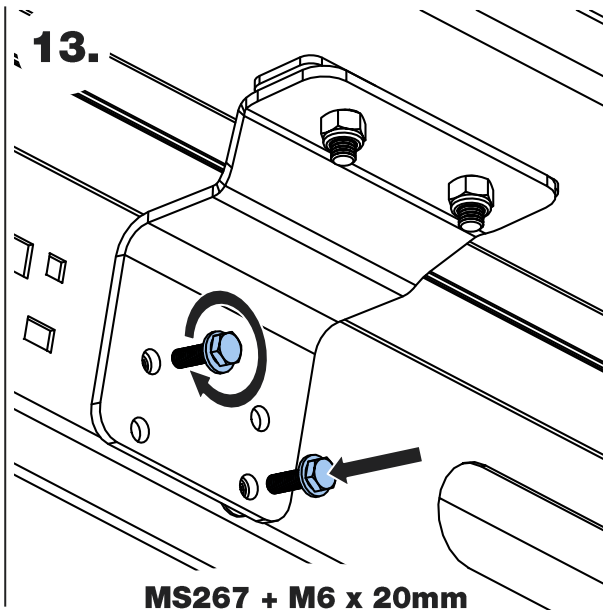
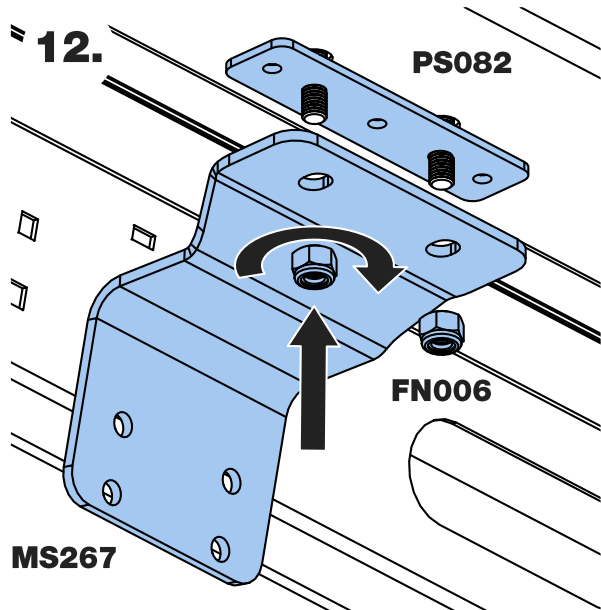
4.

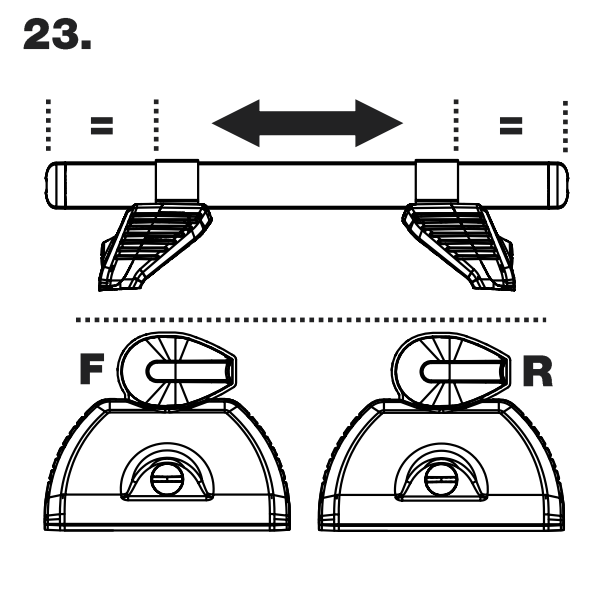
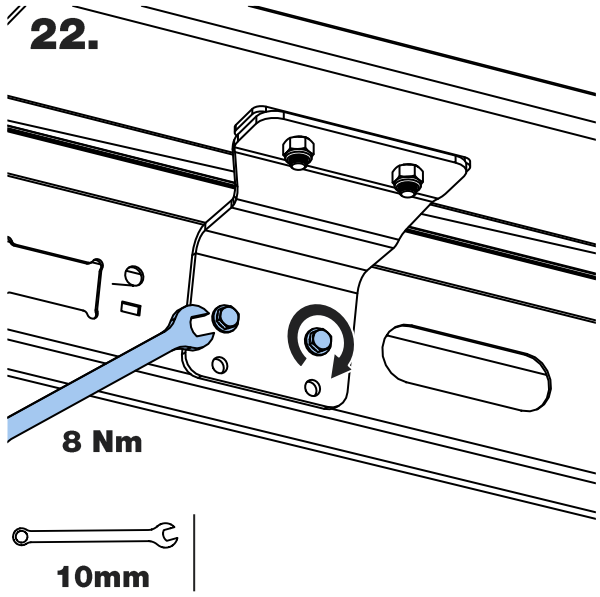
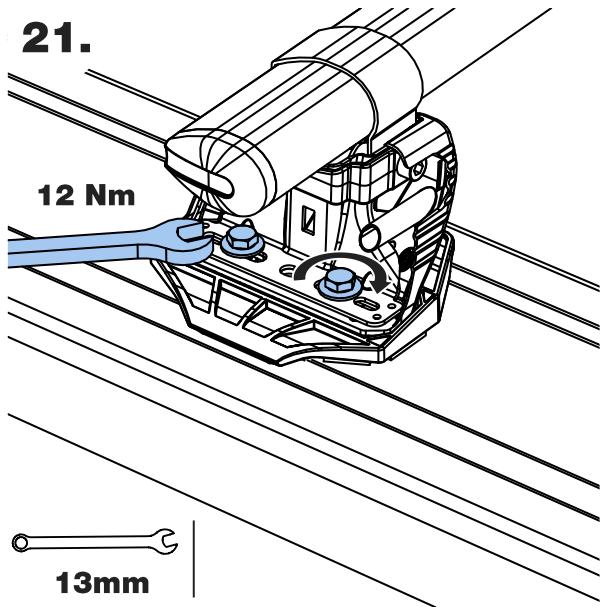
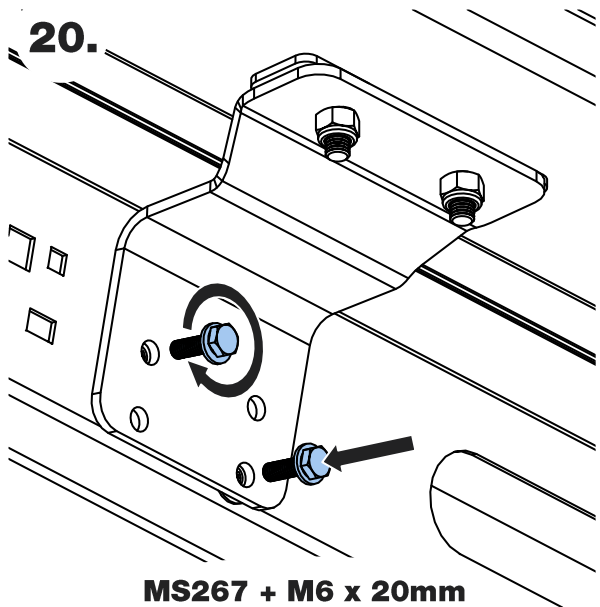
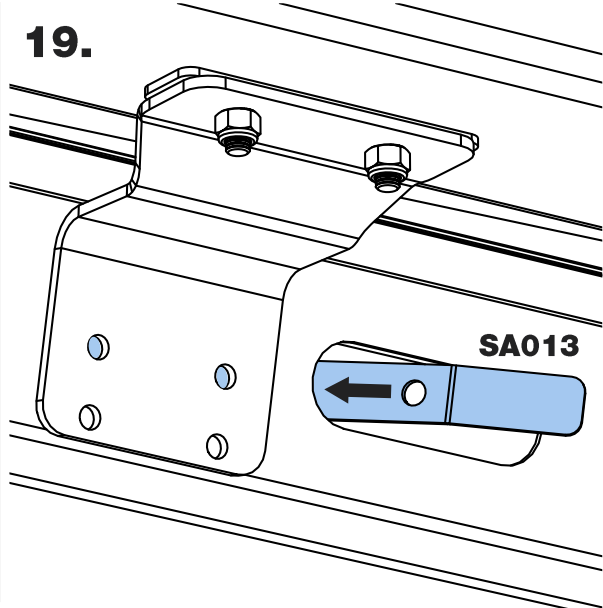
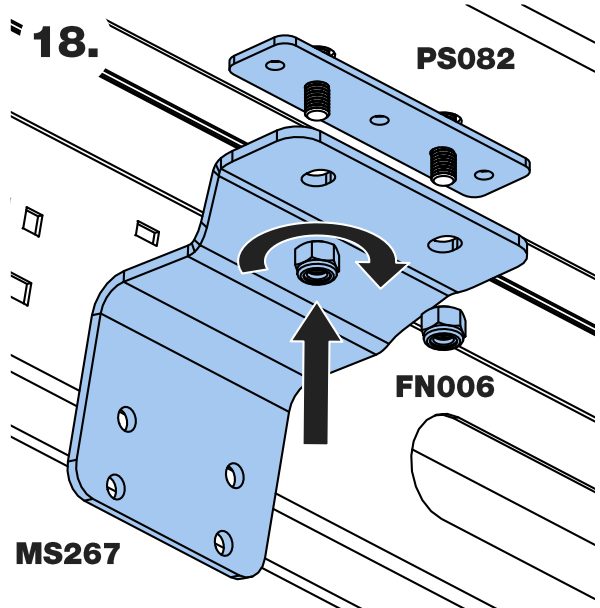


5.

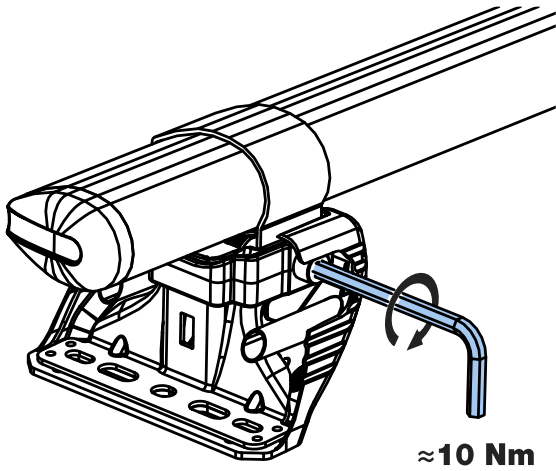




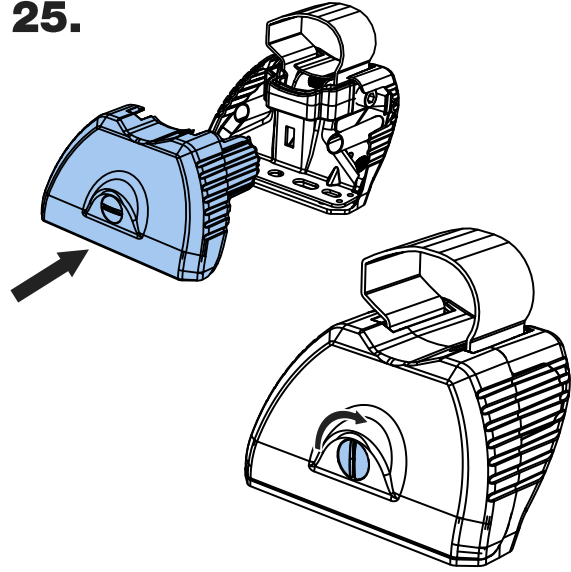




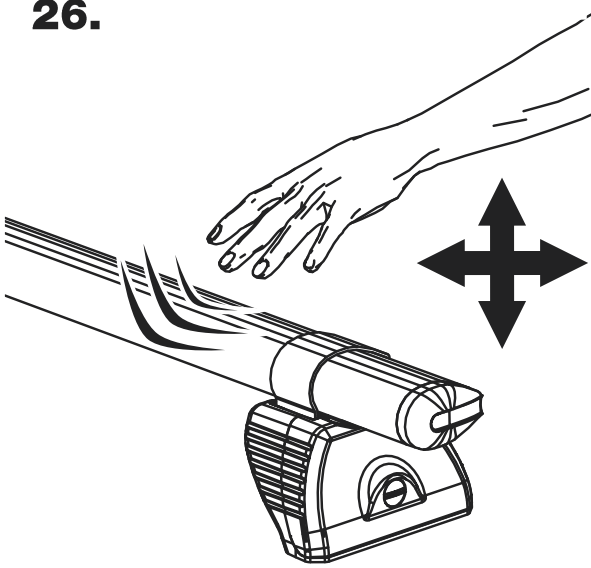
24.



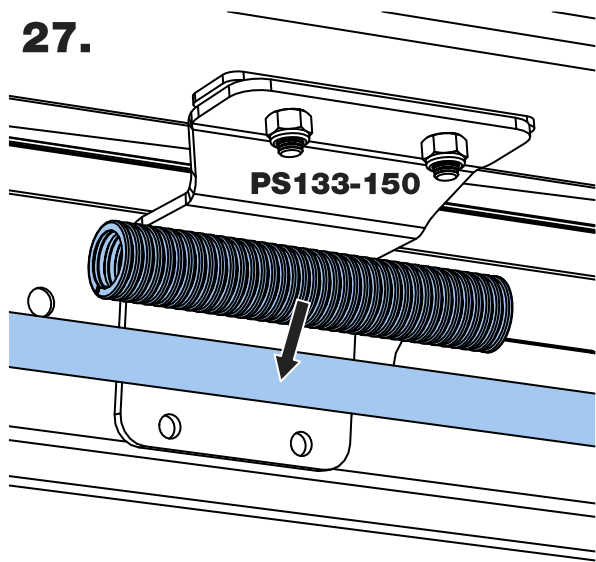
25.



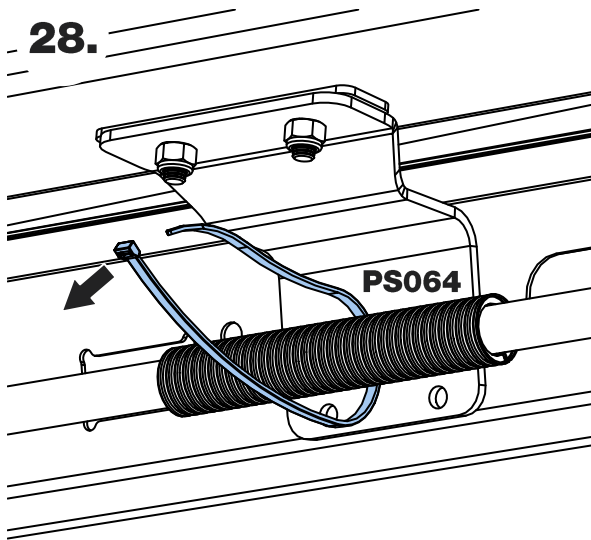
26.



27.



28.



29.

