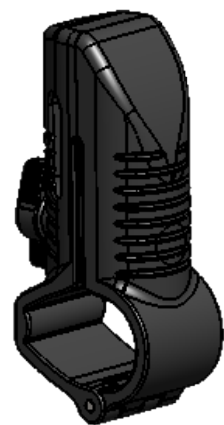




SA055 x 2



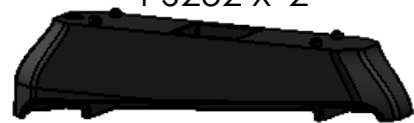
SA056 x 2



SA070 x 4



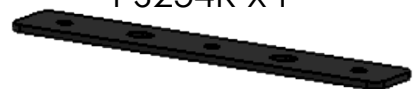
PS252 x 2



PS254L x 1



PS254R x 1



PS210 x 4

(1 : 1)



FS042(M6 x 40mm) x 2



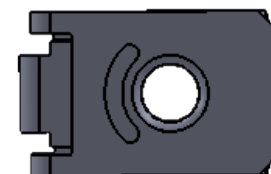
FW008(M6) x 4



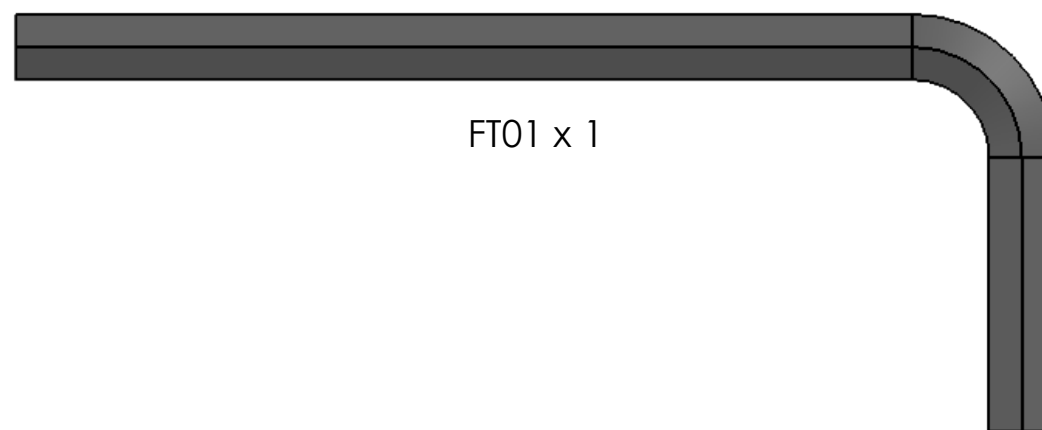
FS040(M6 x 35) x 2



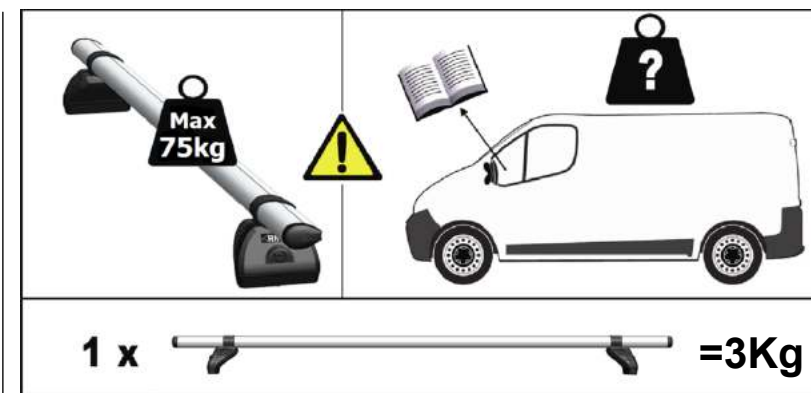
FW001(M6) x 4



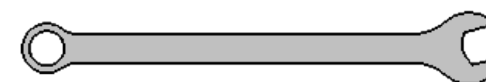
FN020(M6) x 4



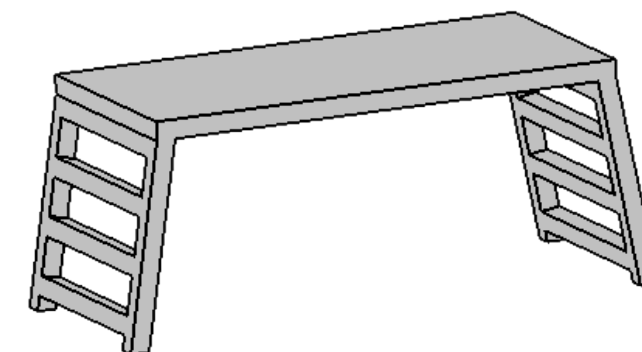
FT01 x 1

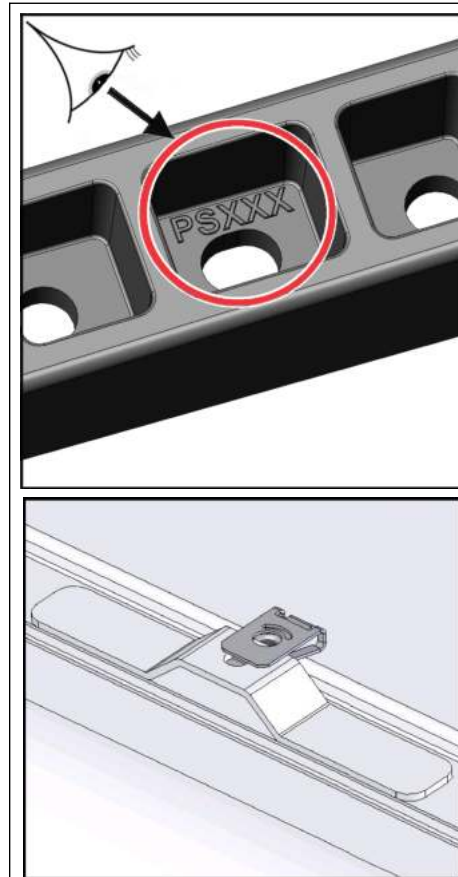
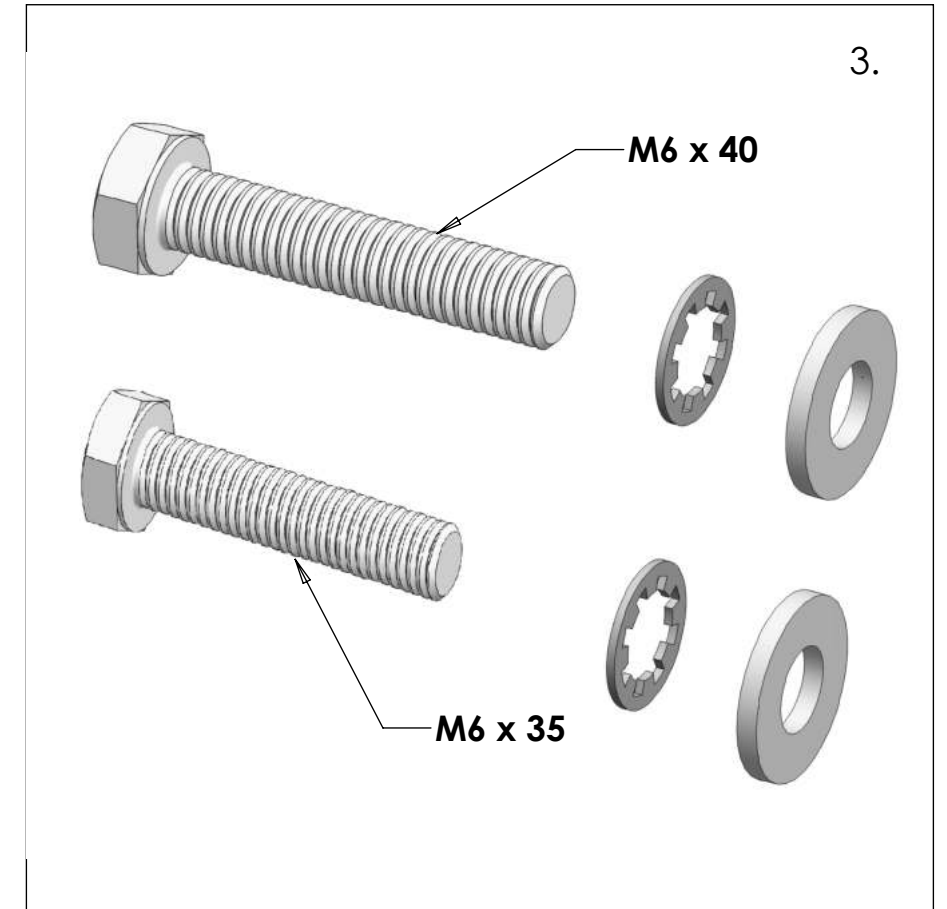
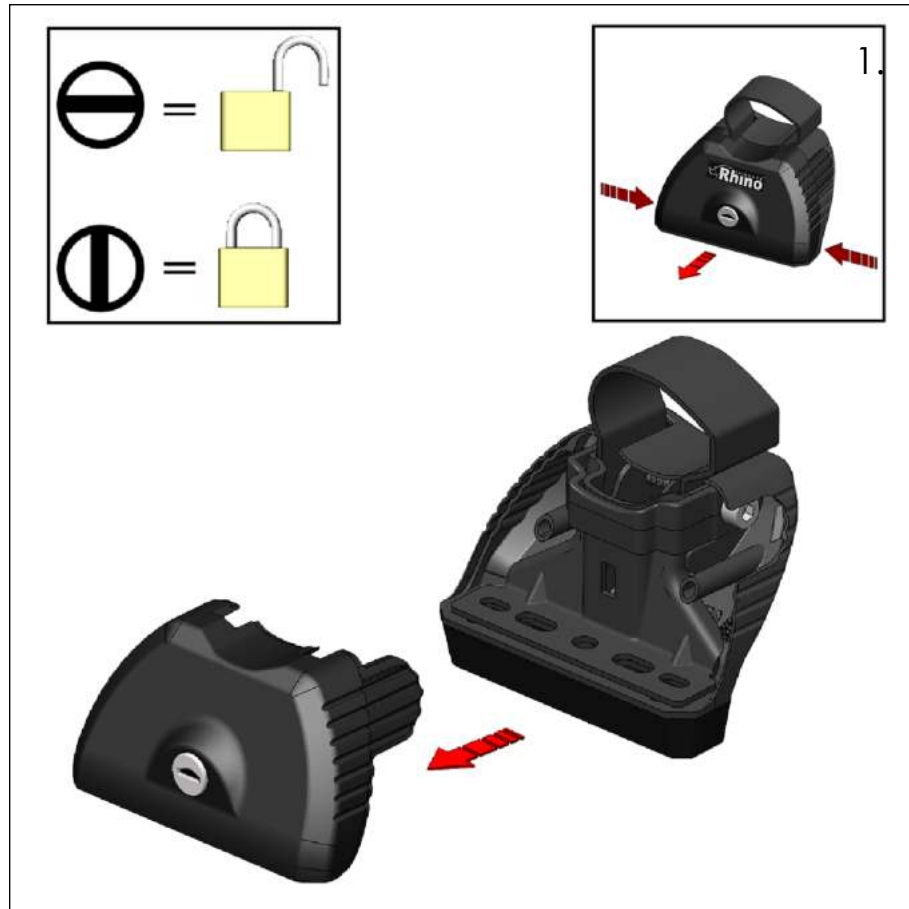


1 x = 3Kg

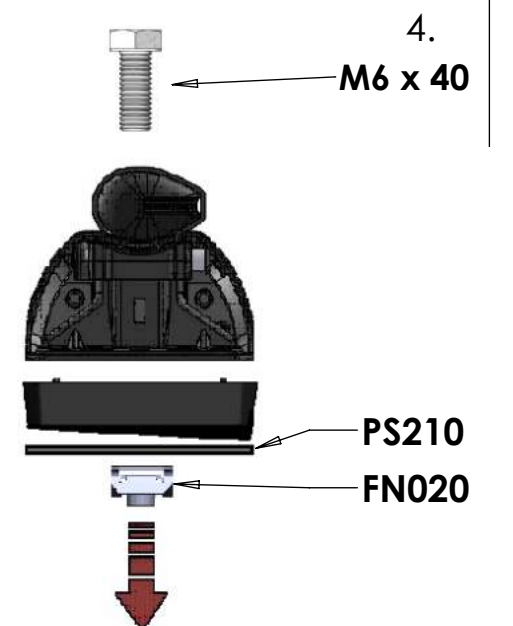
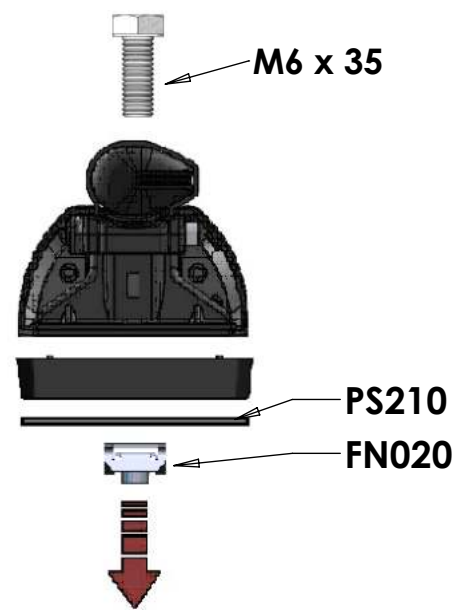
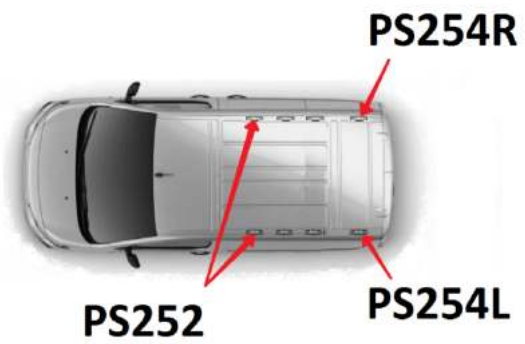


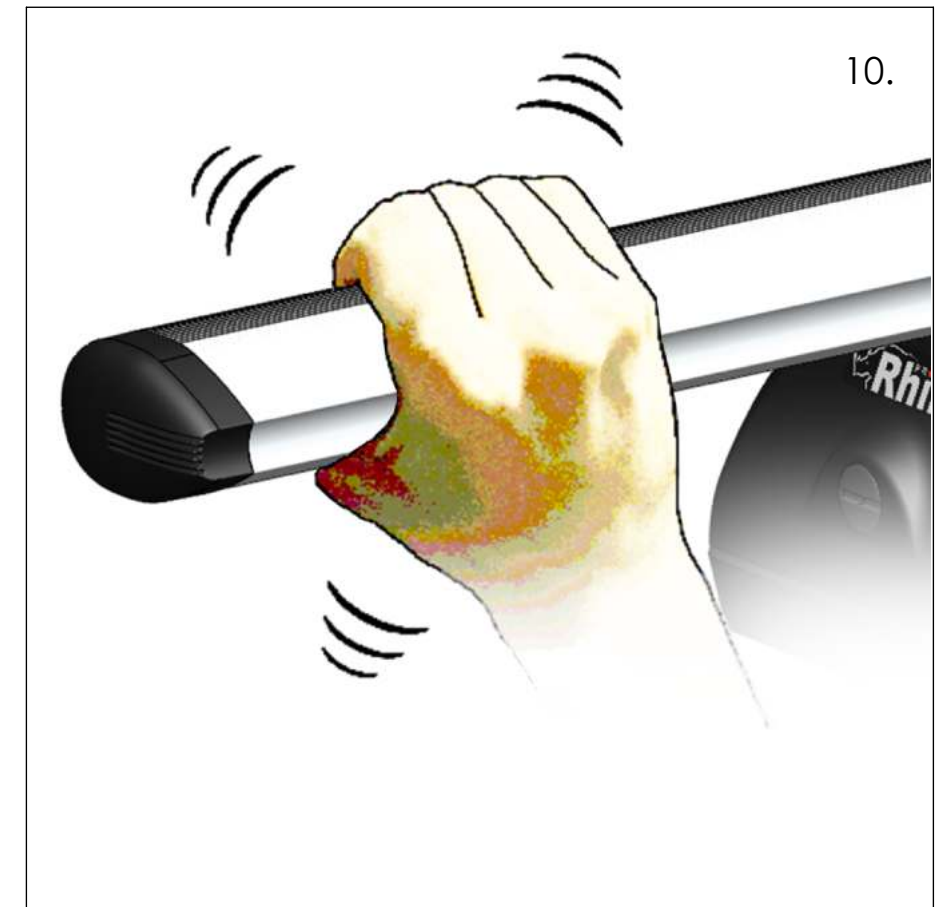
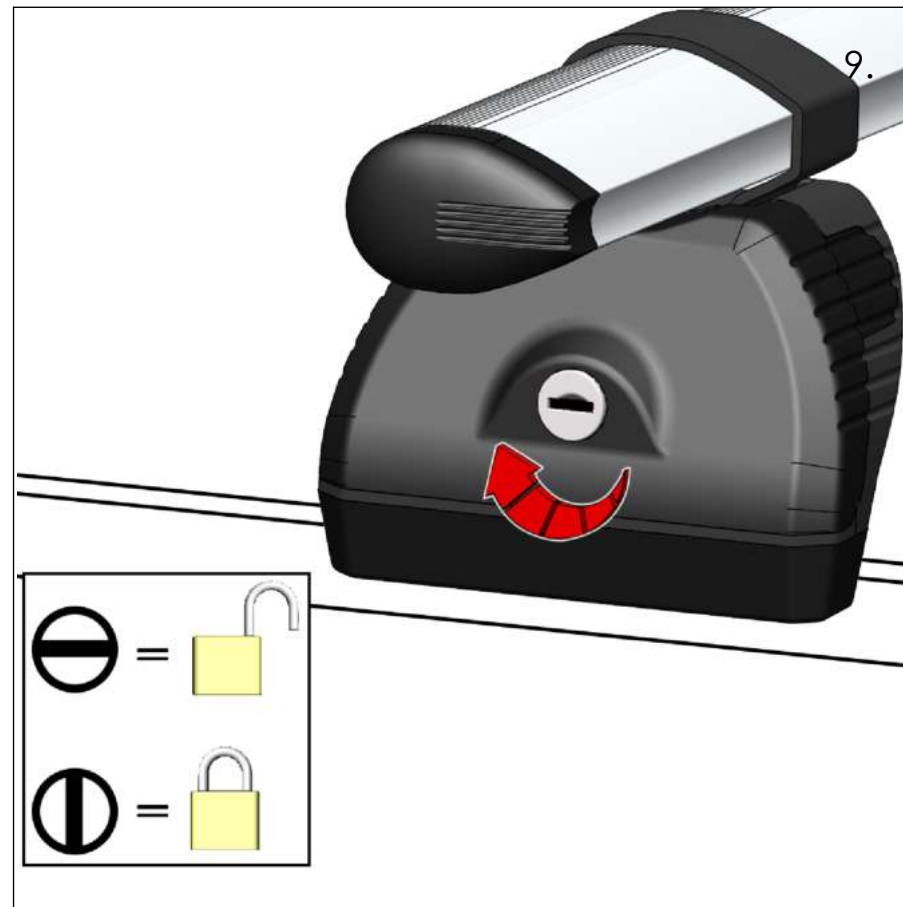
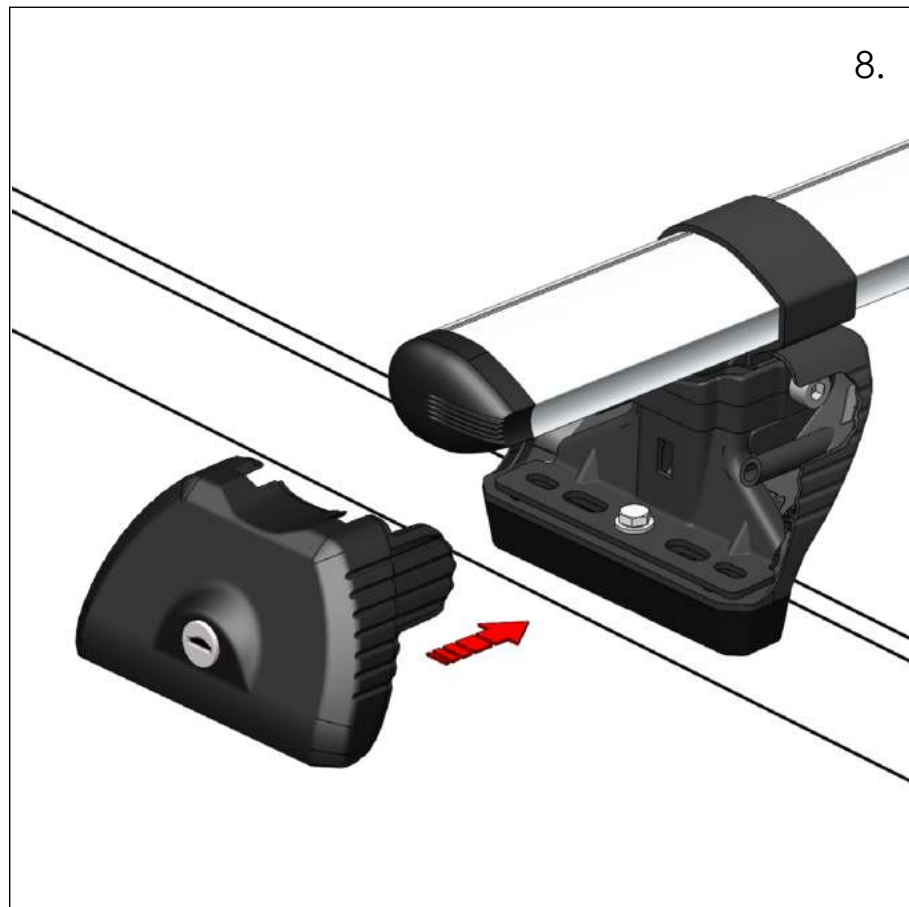
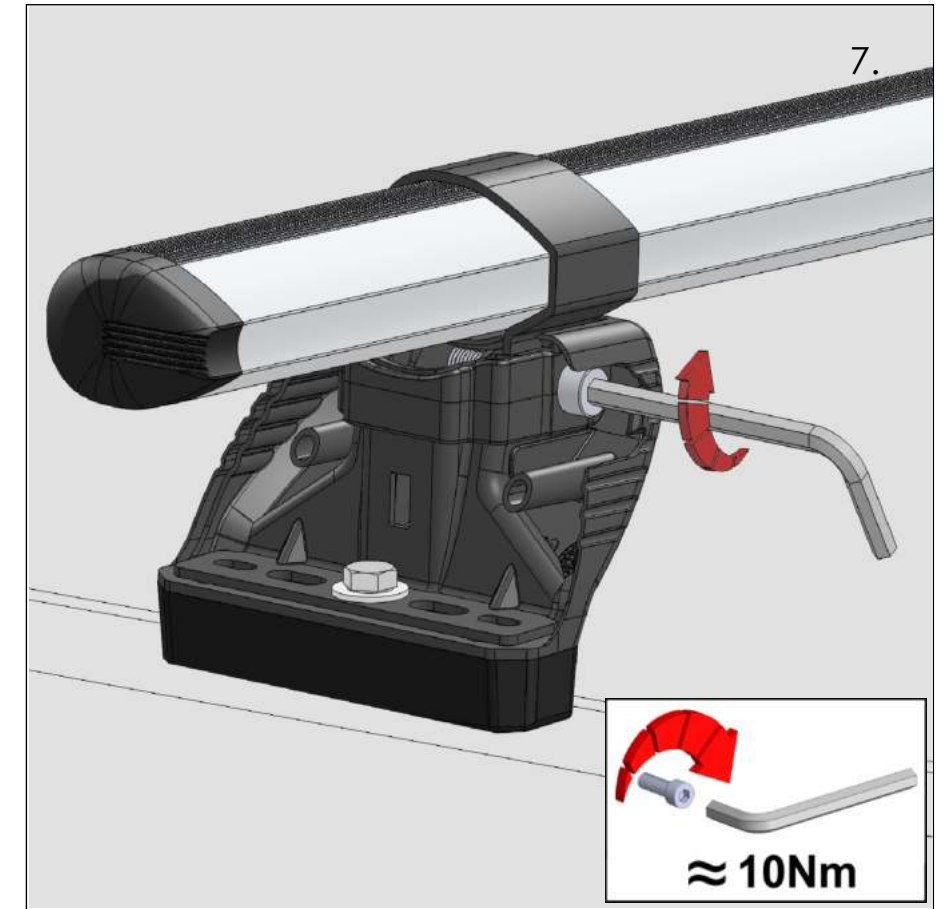
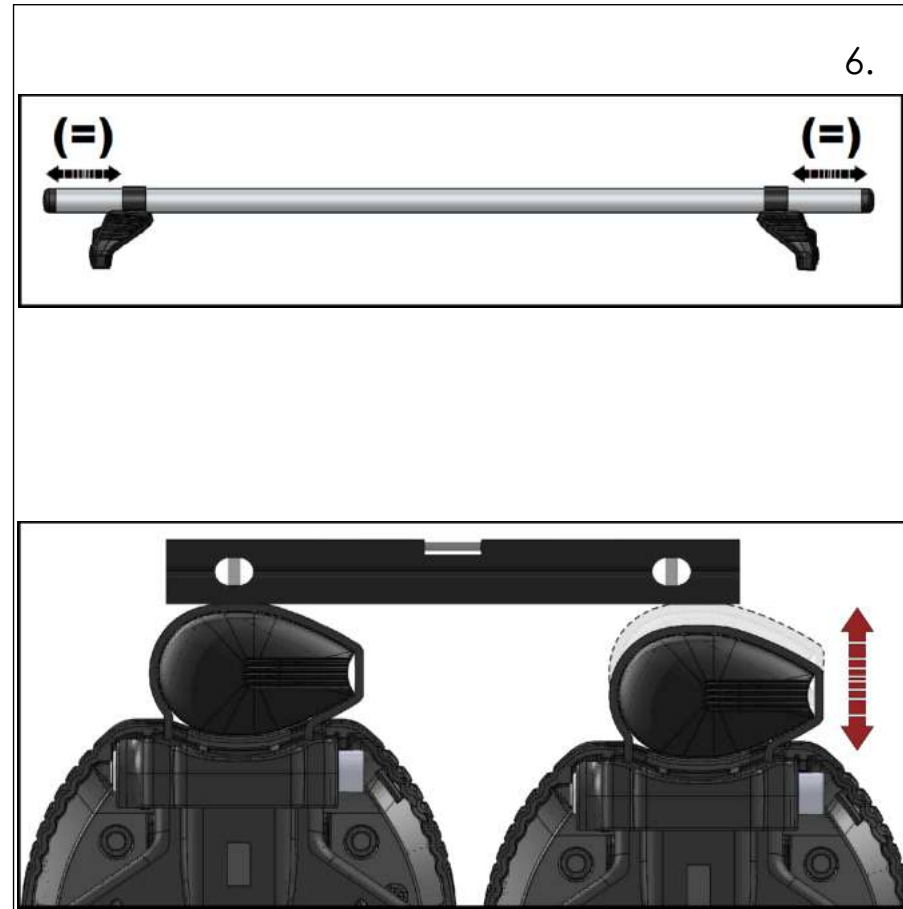
10mm x 1

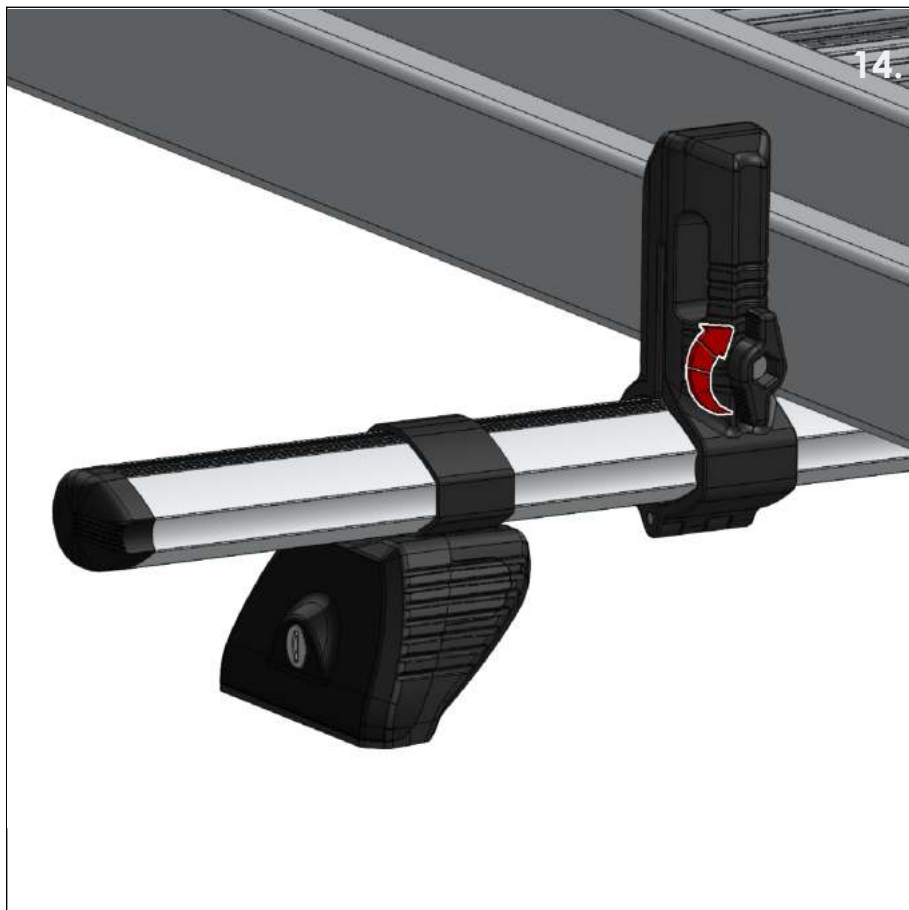




L1





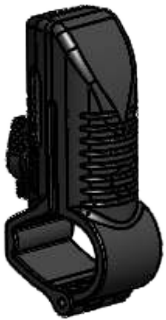




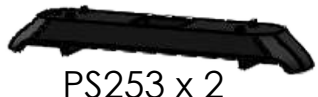
SA055 x 3



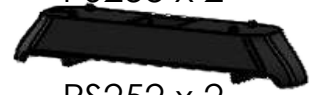
SA056 x 3



SA070 x 4



PS253 x 2



PS252 x 2



PS254L x 1



PS254R x1



PS210 x 6

(1 : 1)



FS040 (M6 x 35) x 2



FW008 x 6



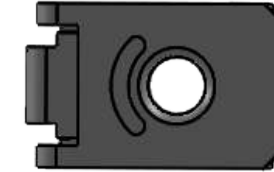
FS039 (M6 x 30) x 2



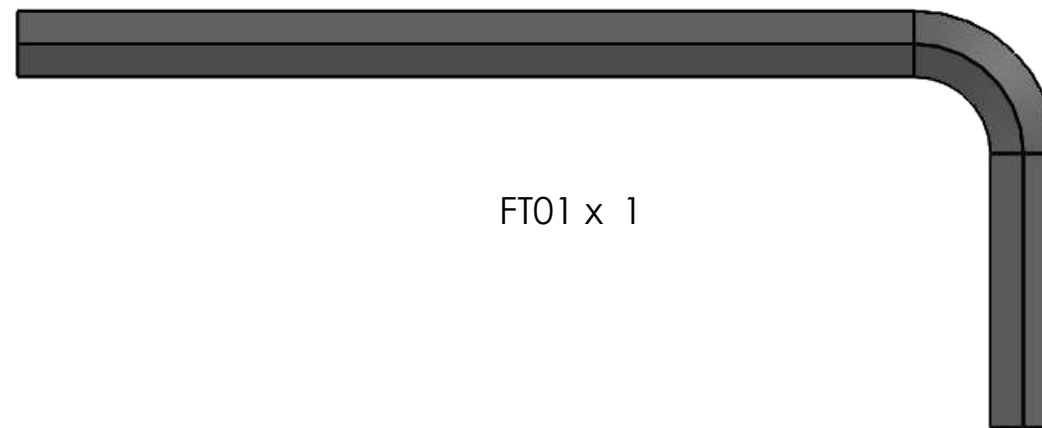
FS042 (M6 x 40) x 2



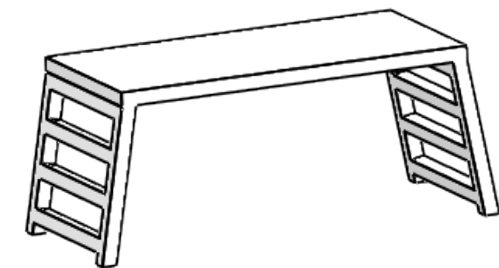
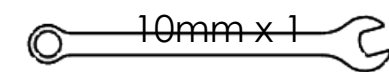
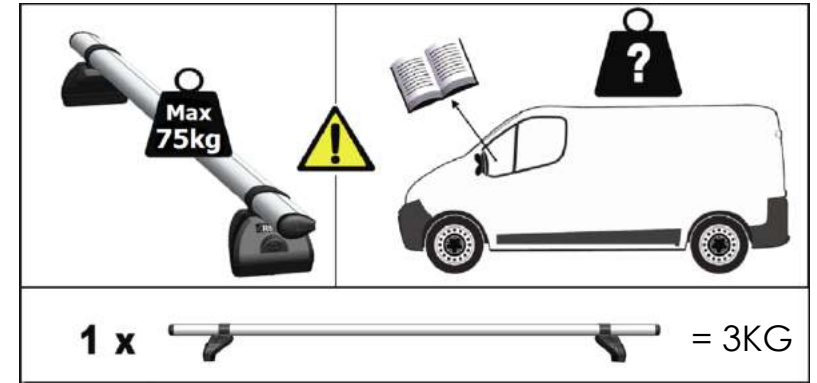
FW001 (M6) x 6

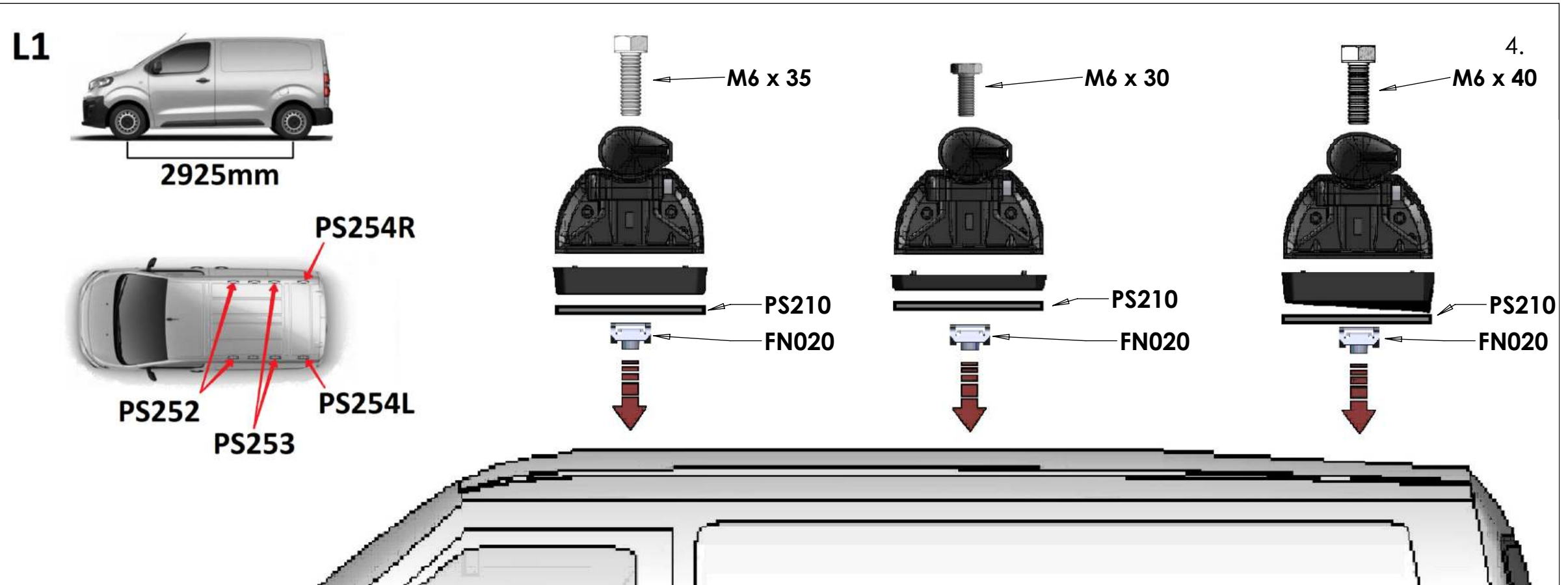
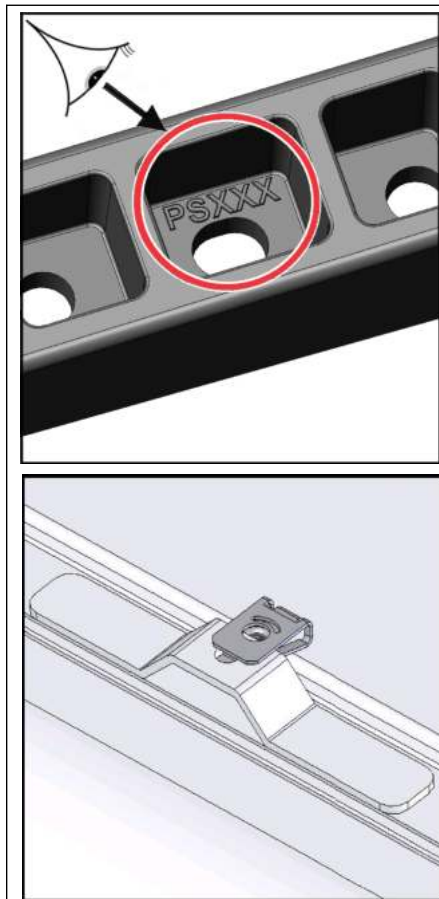
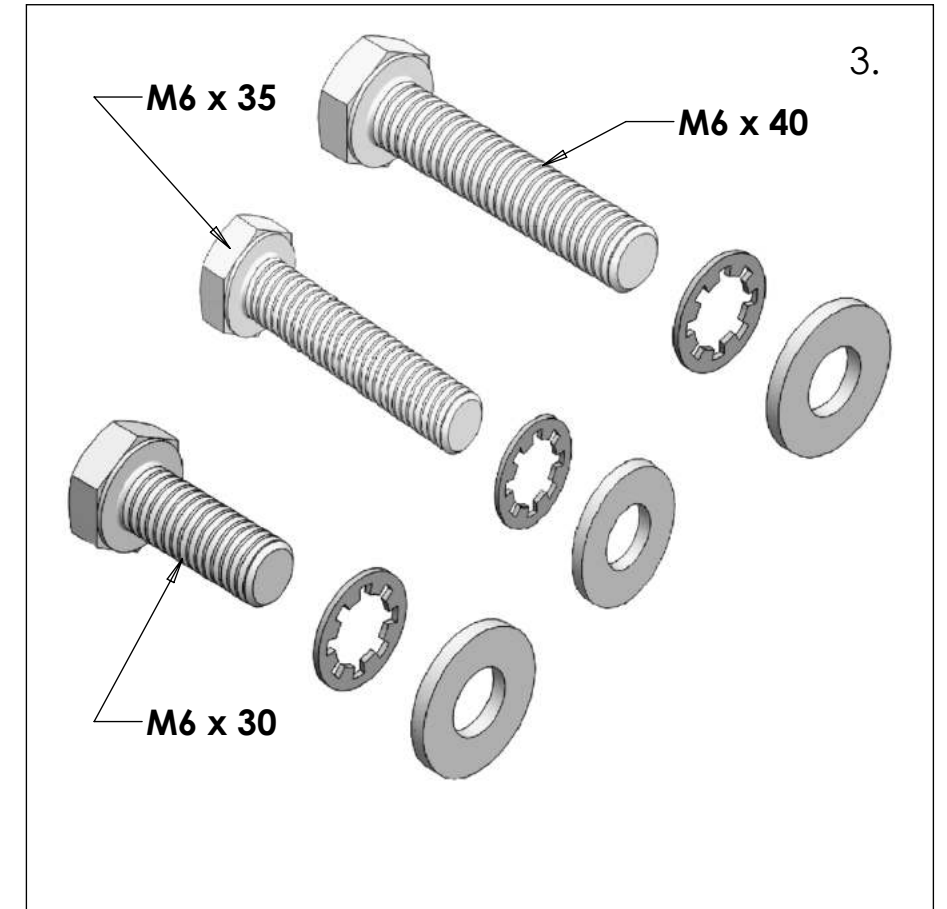
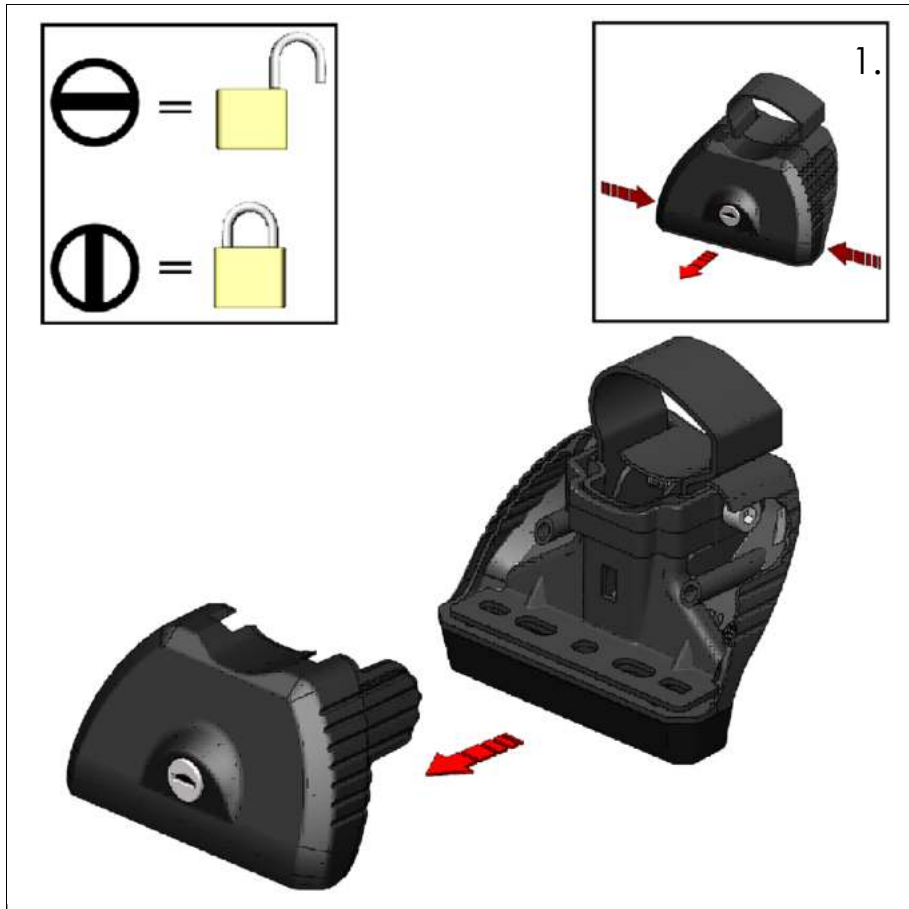


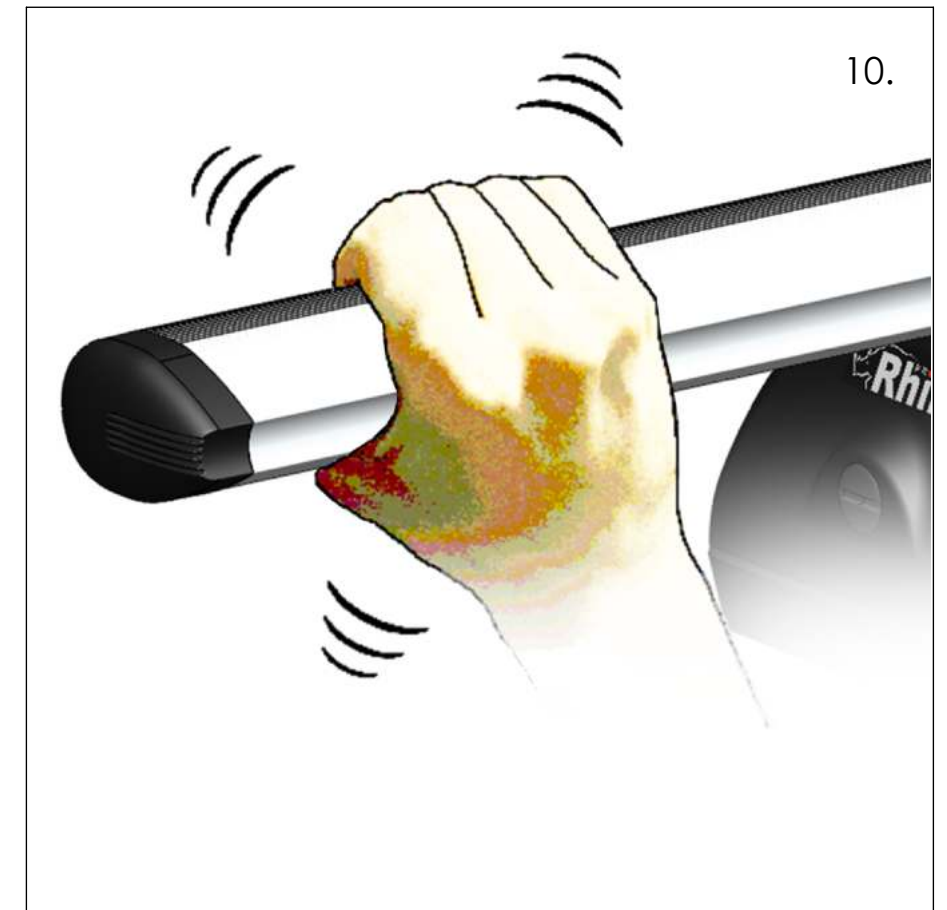
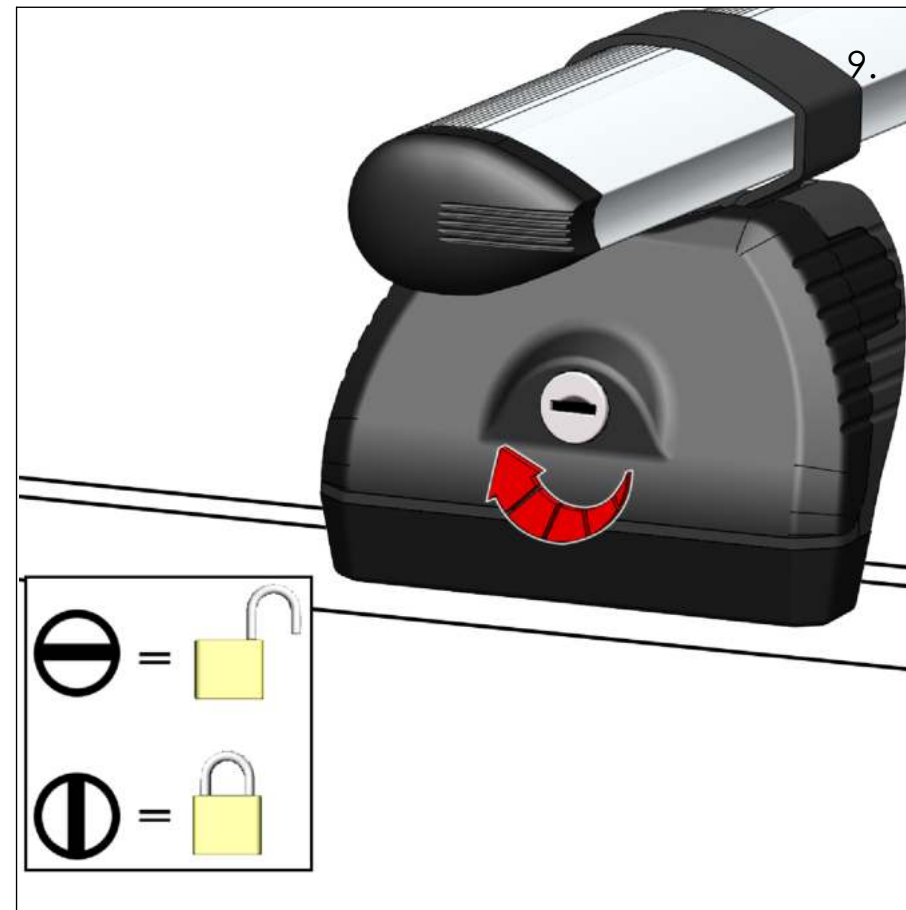
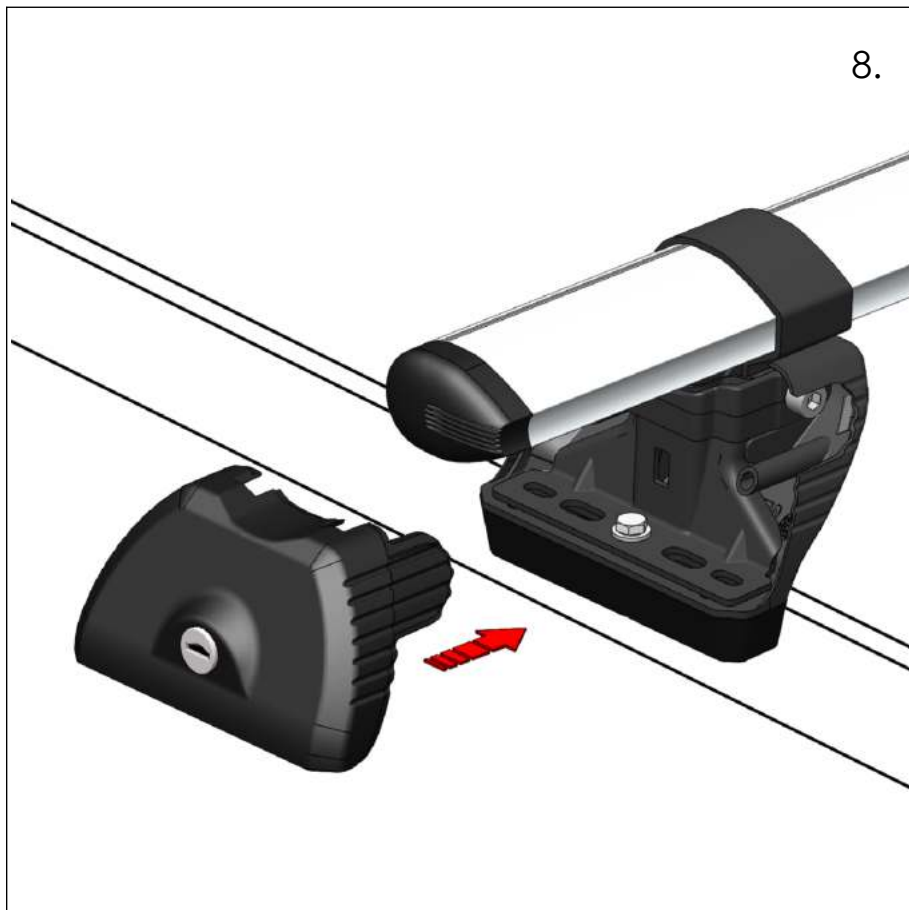
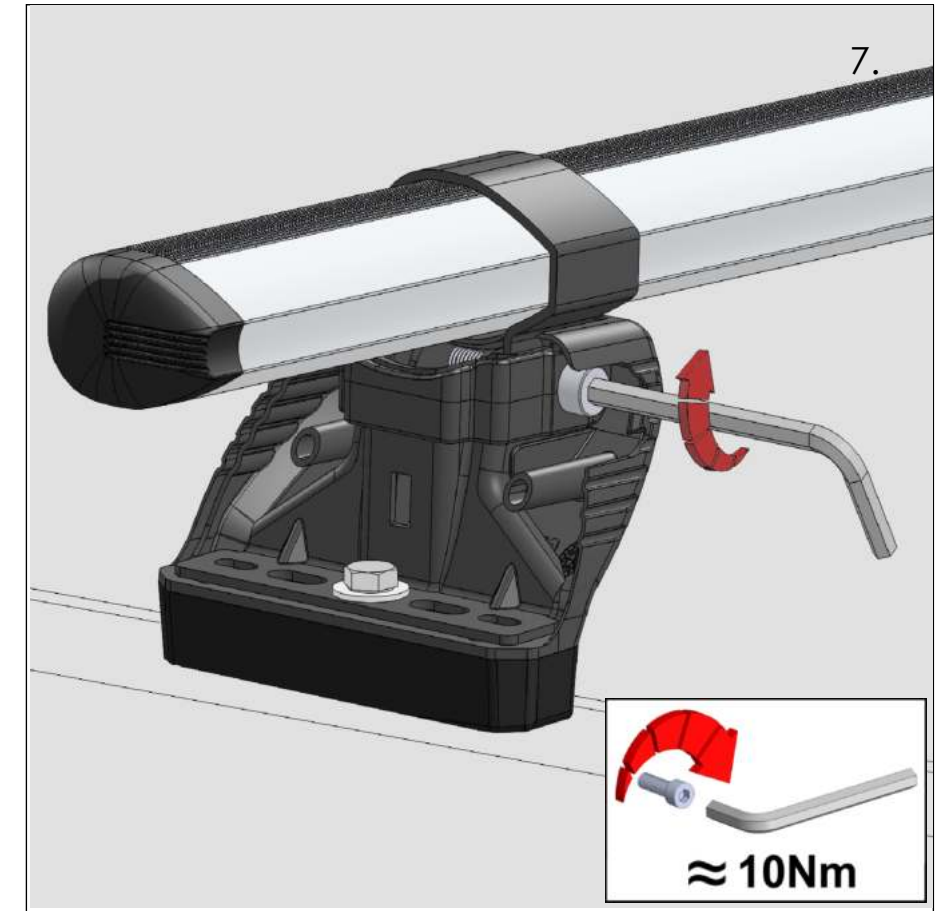
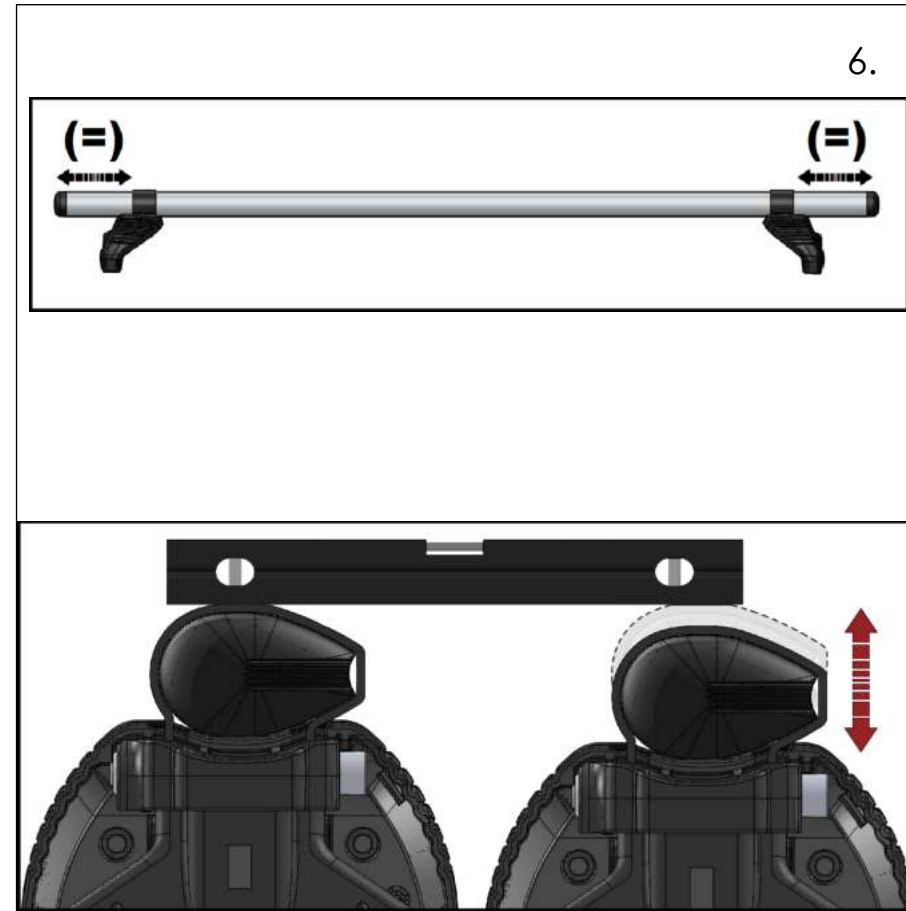
FN020 (M6) x 6

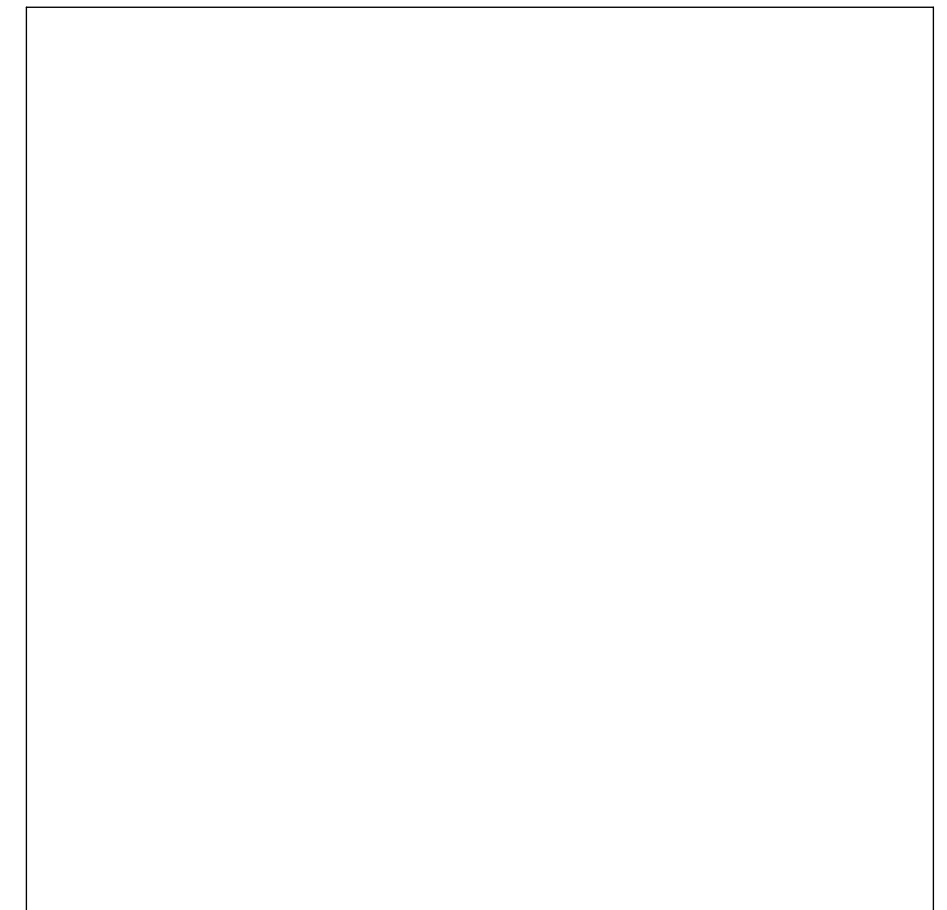
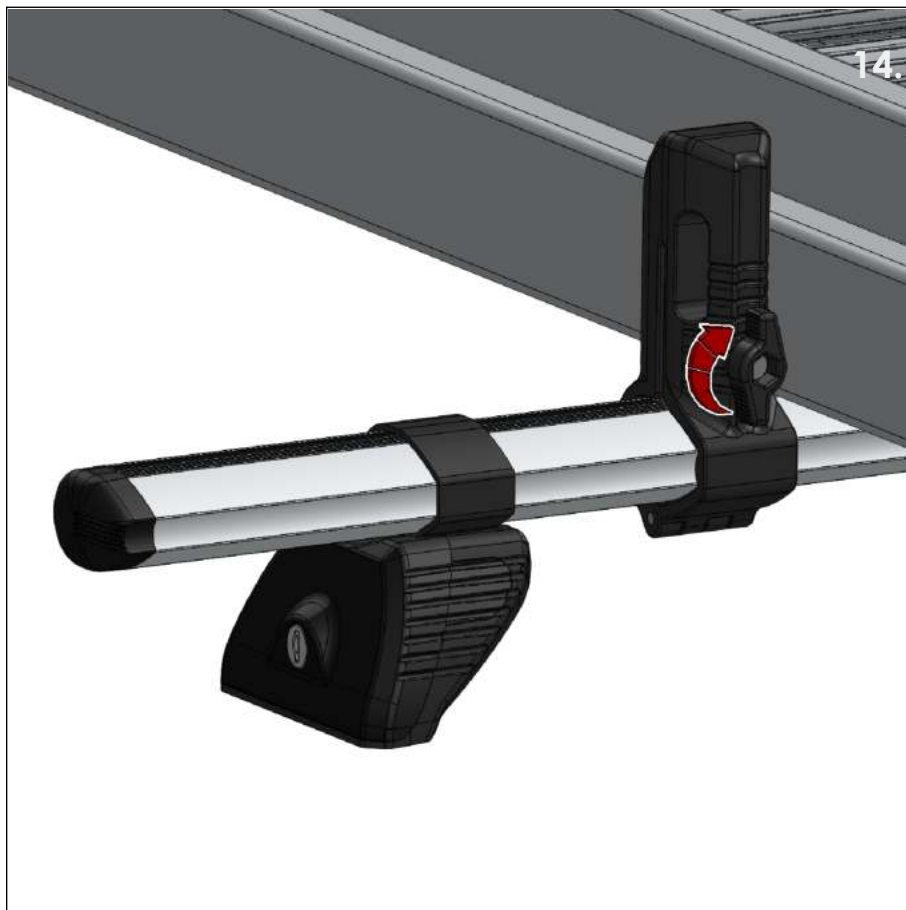


FT01 x 1







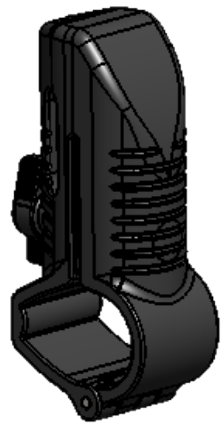




SA055 x 3



SA056 x 3



SA070 x 4



PS179 x 2



PS180 x 4



FS040 (M6 x 35) x 4



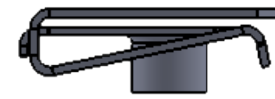
FS001 (M6 x 20) x 2



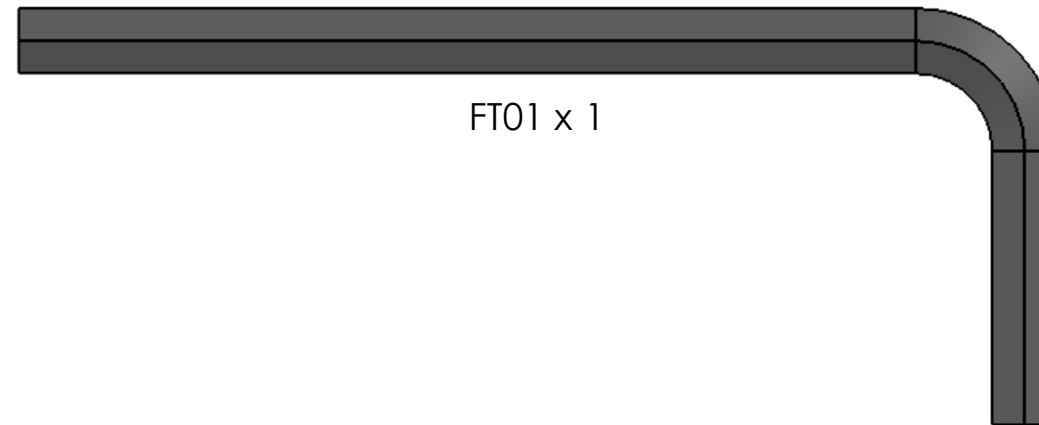
FW001 (M6) x 6



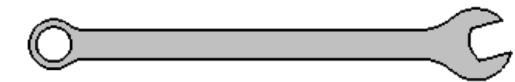
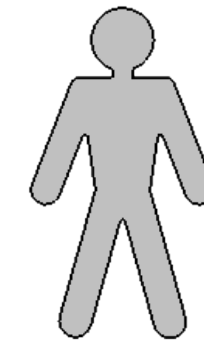
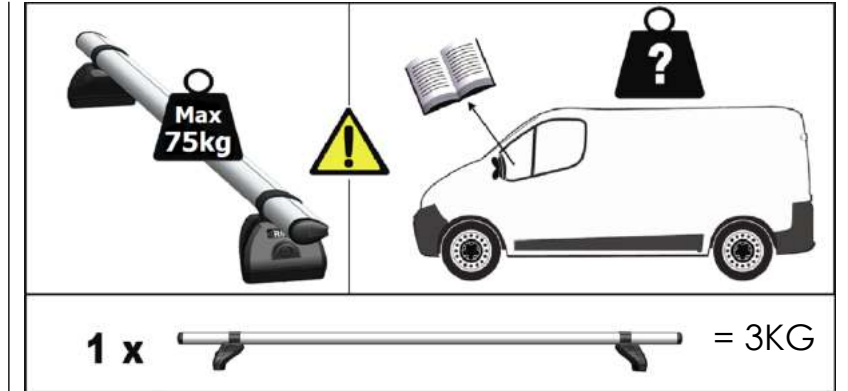
FW008 (M6) x 6



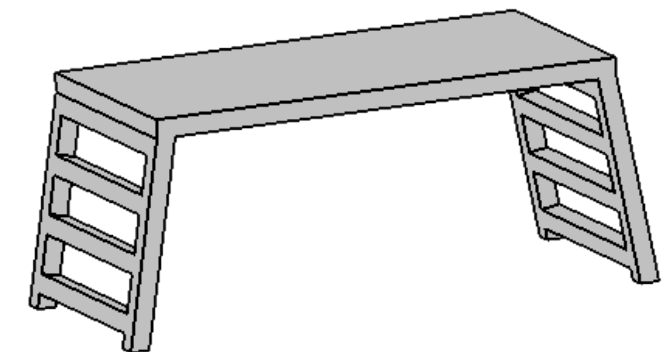
FN020 x 6

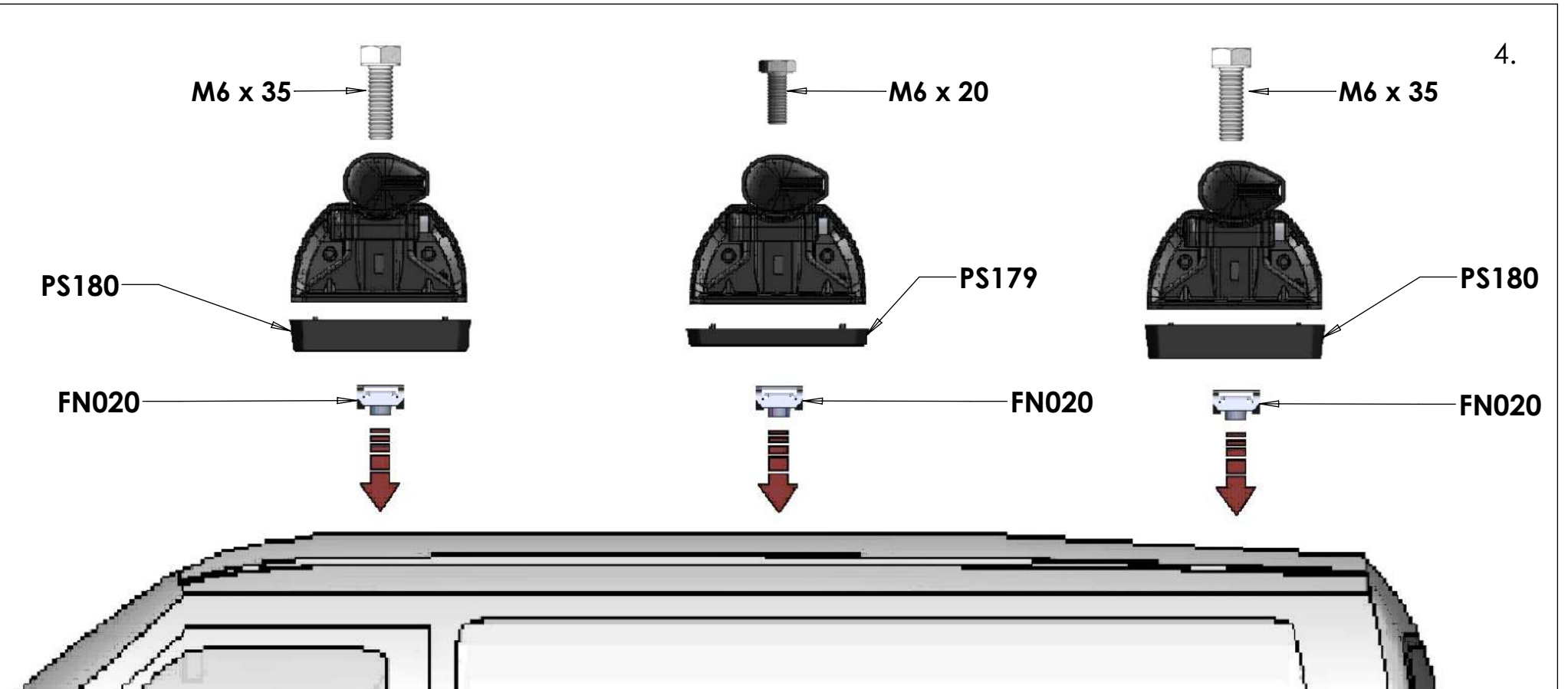
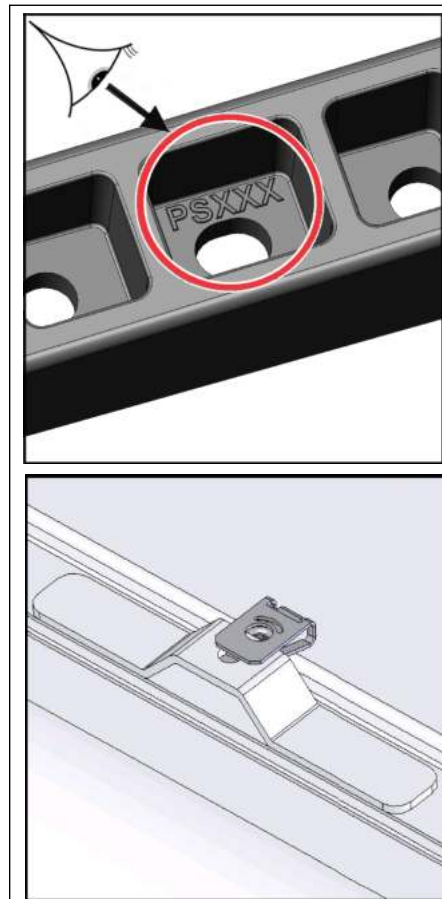
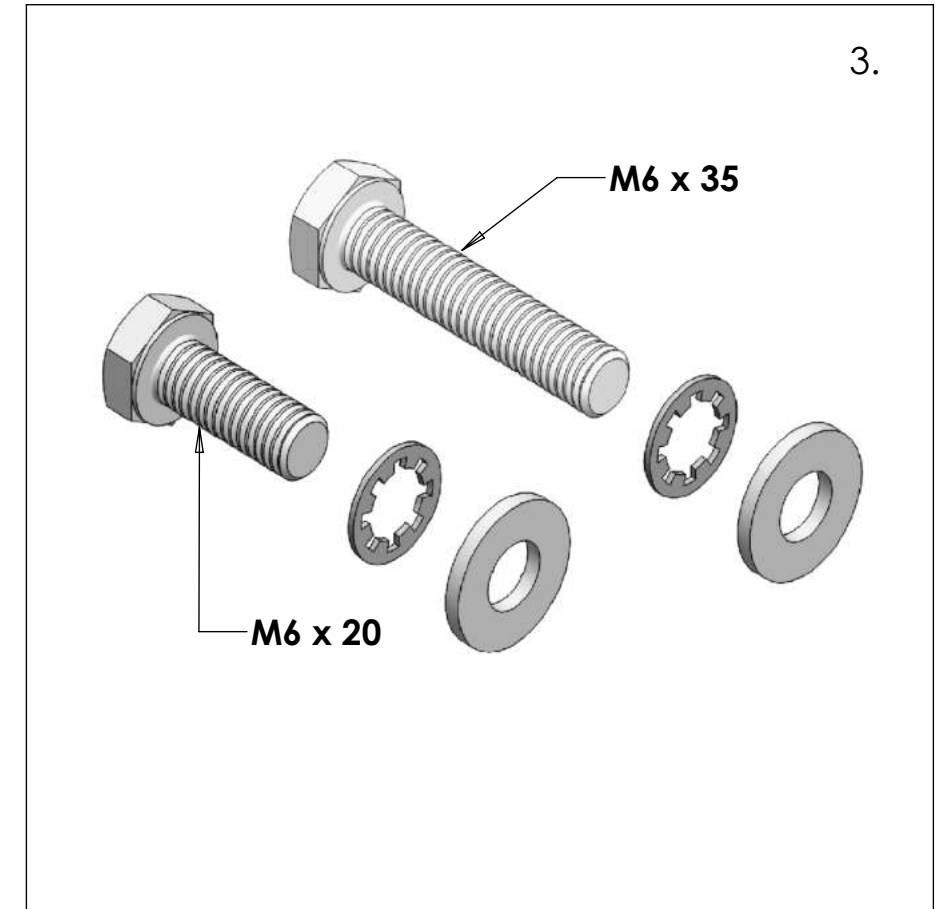
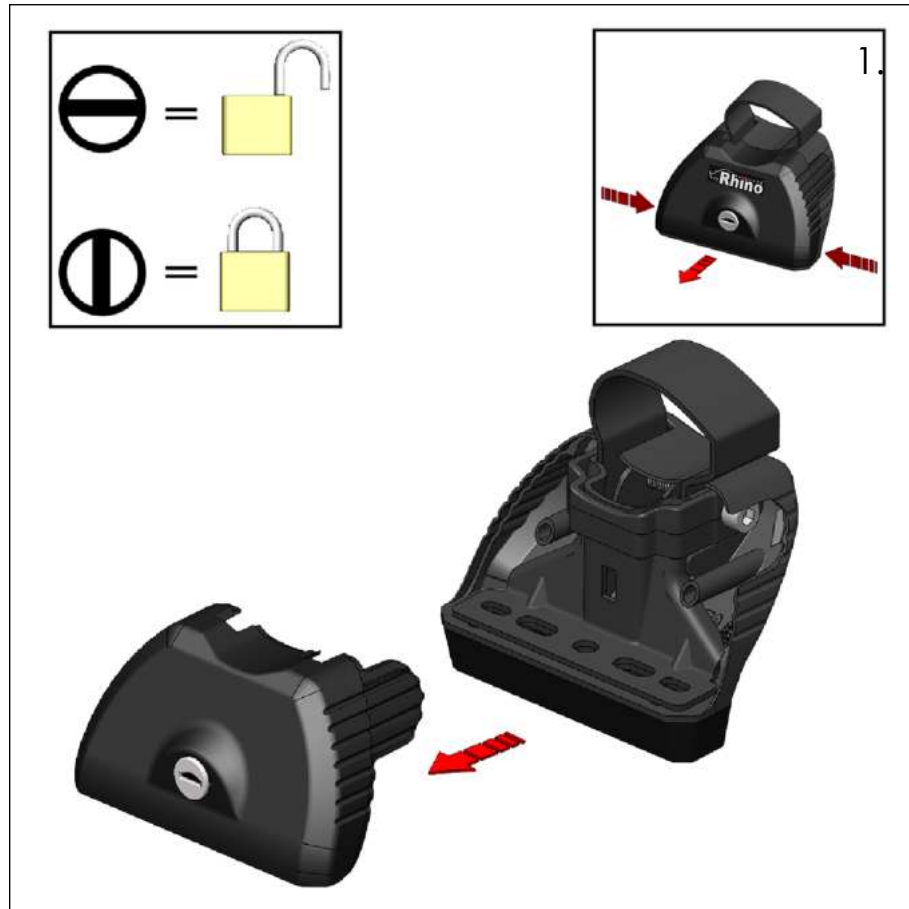


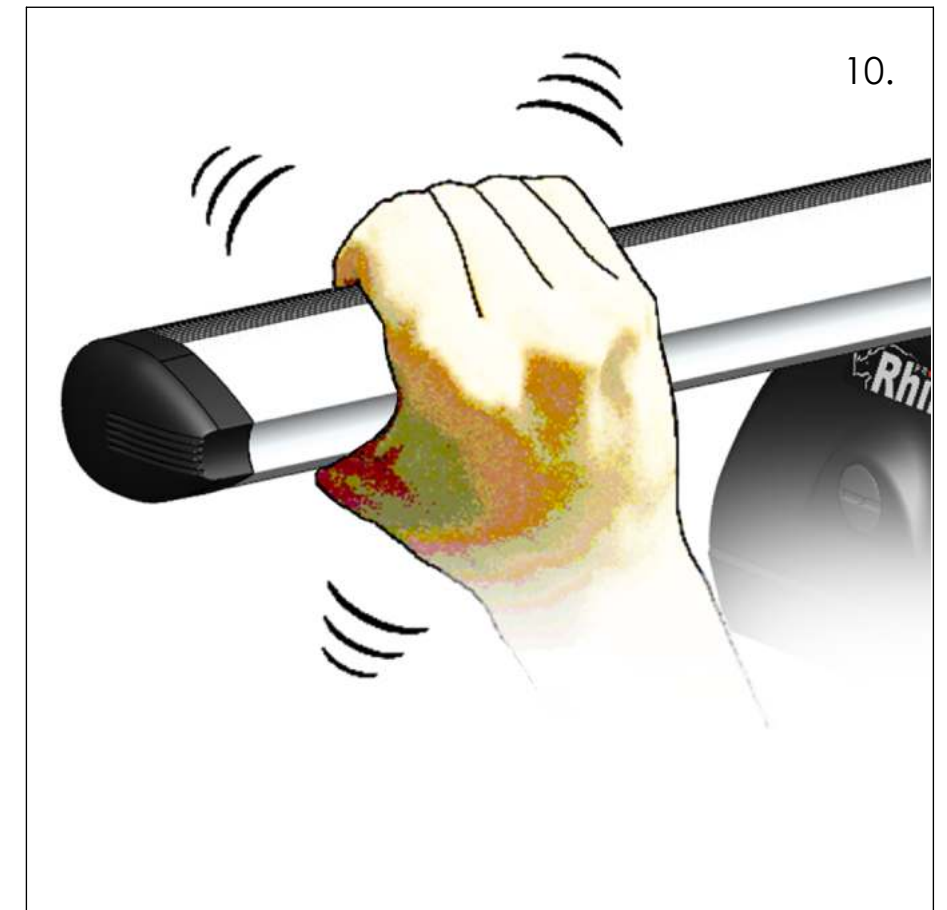
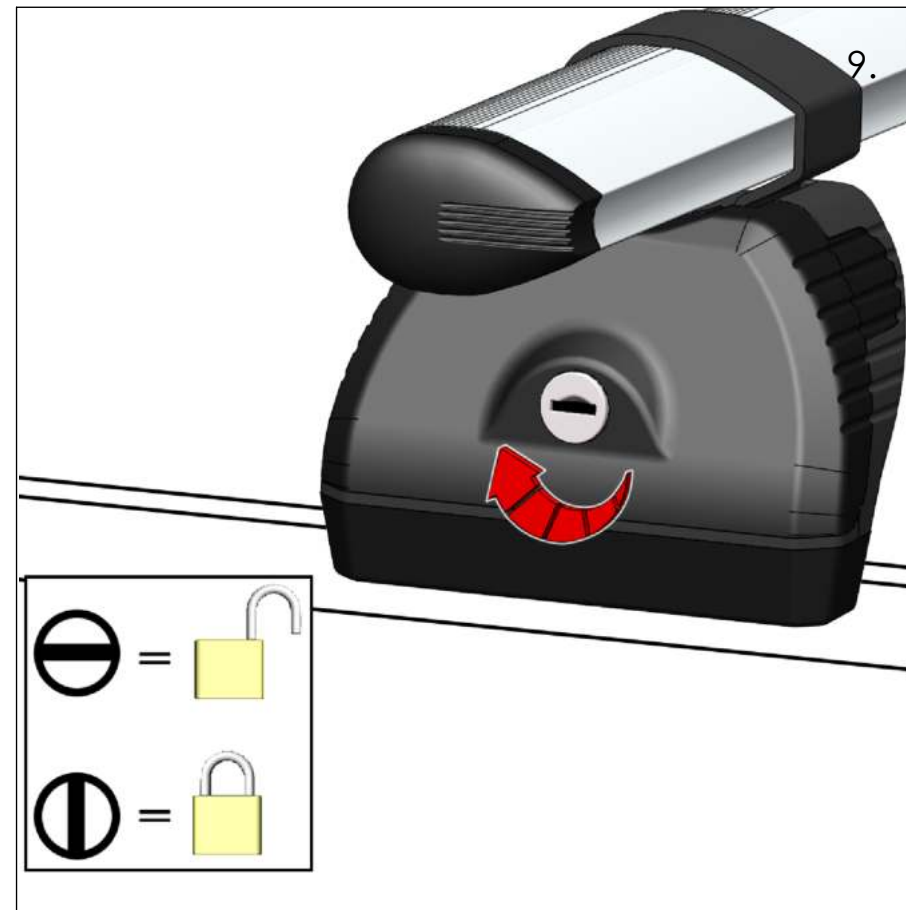
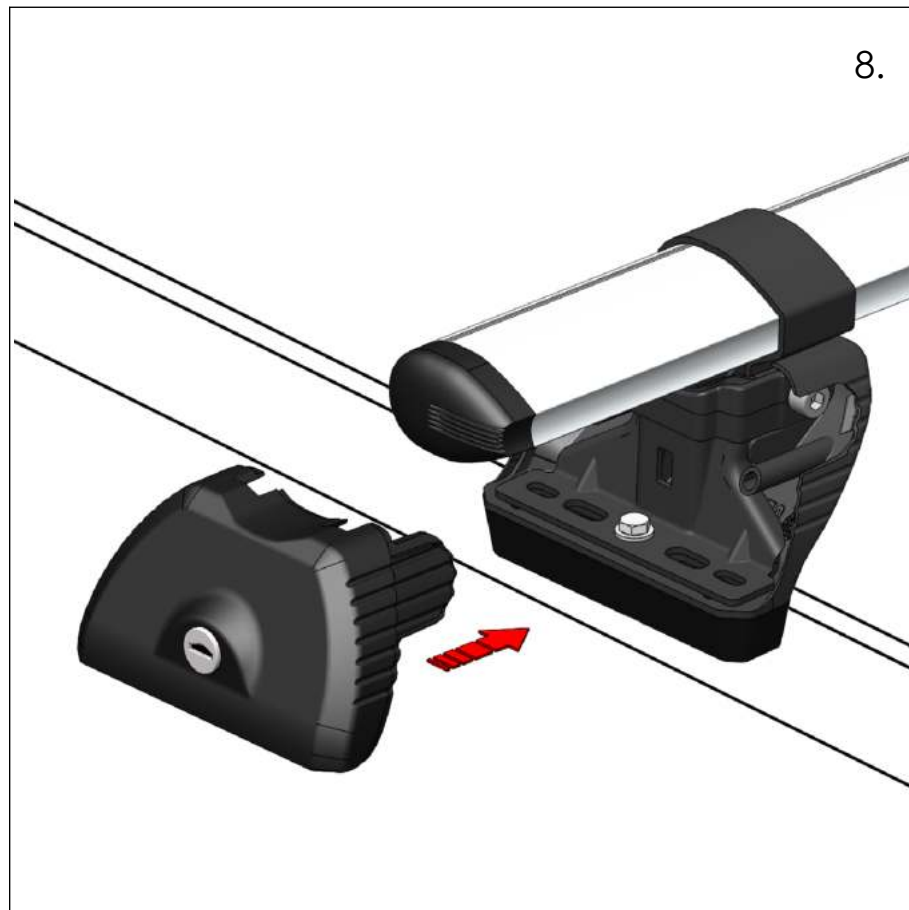
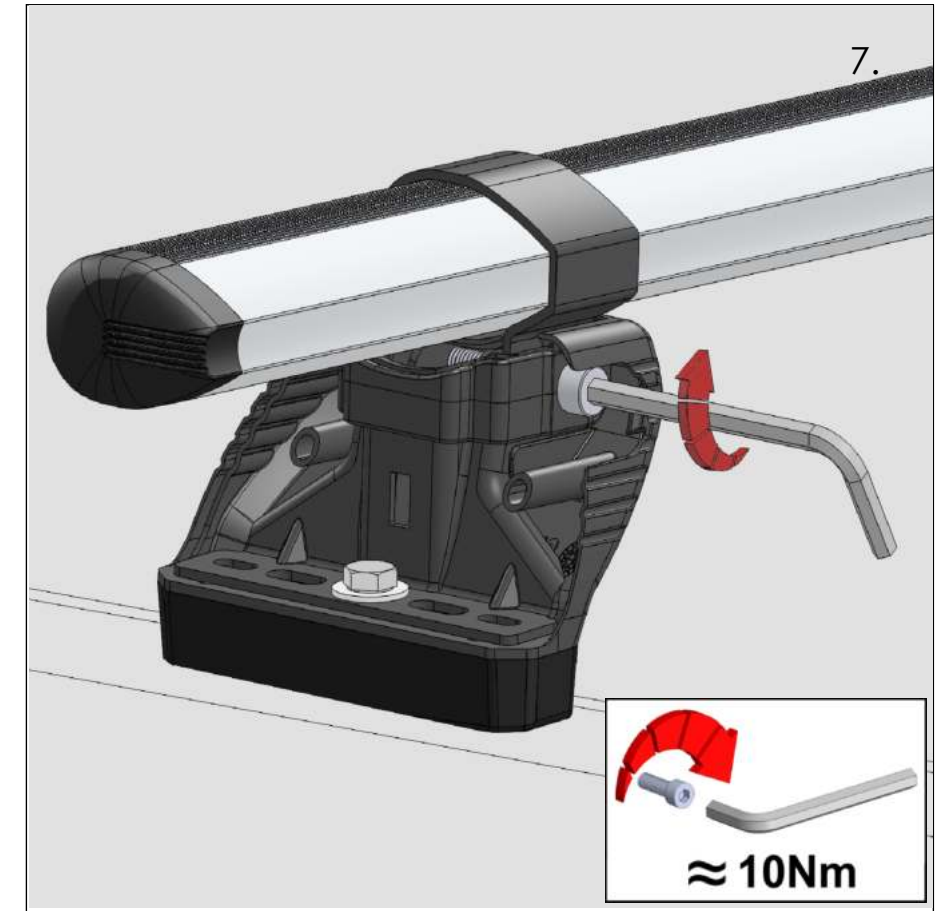
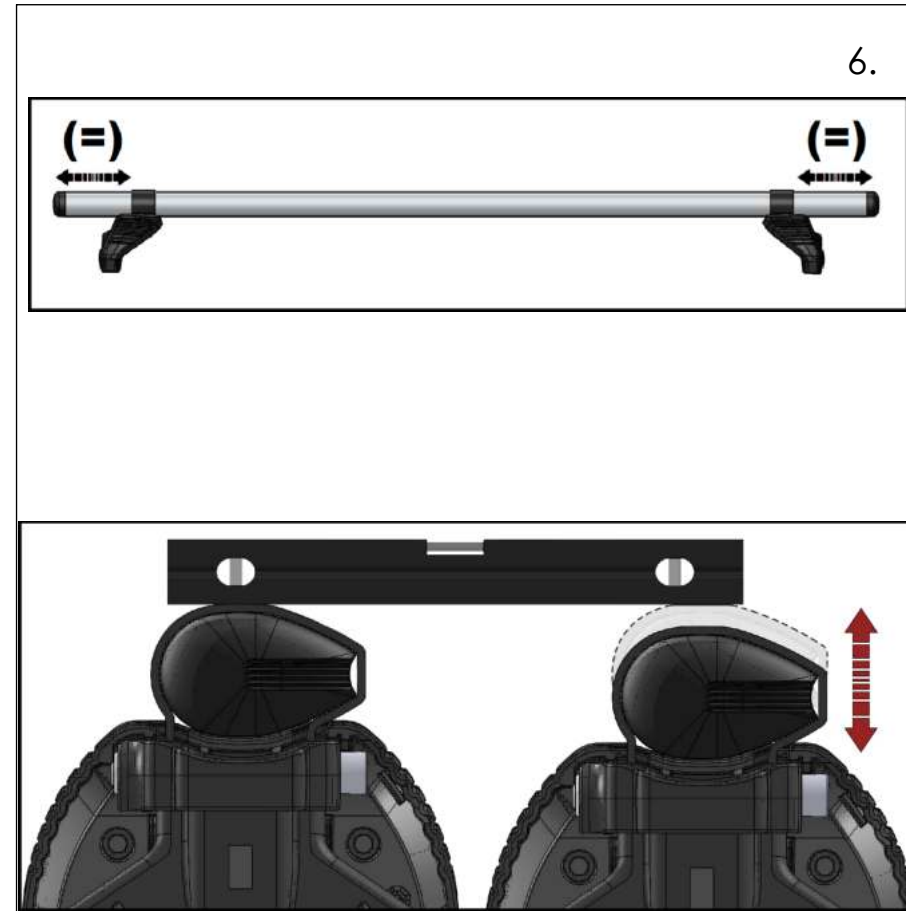
FT01 x 1

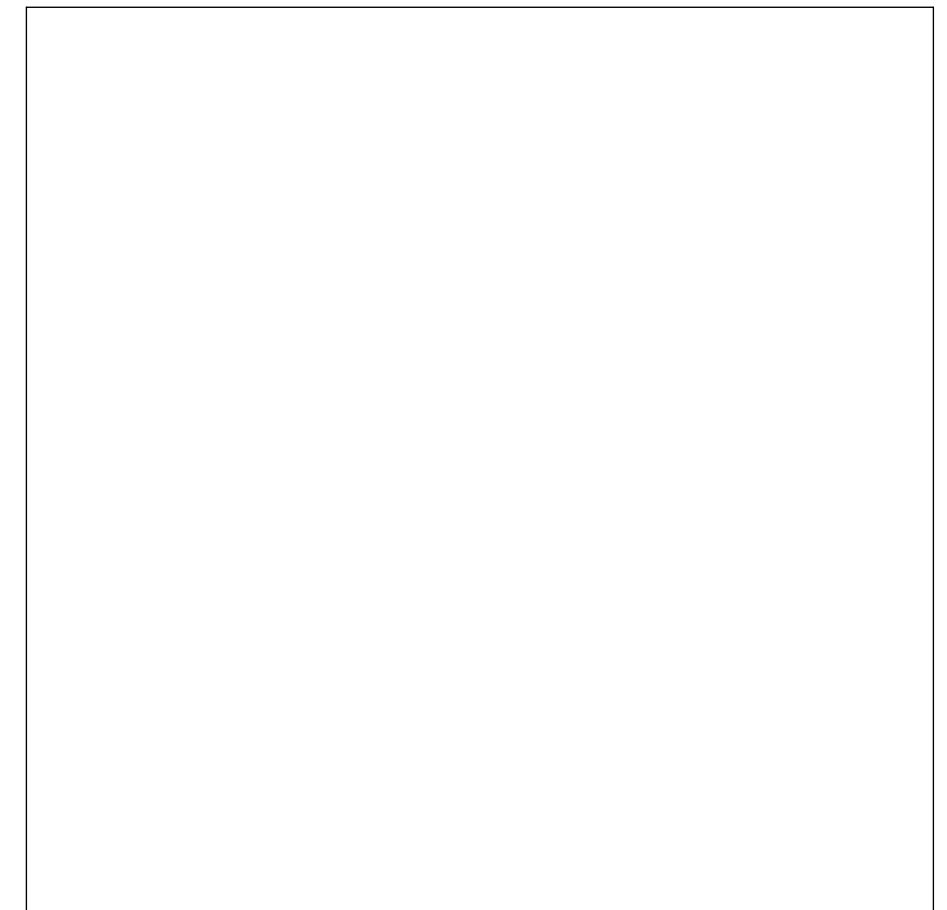
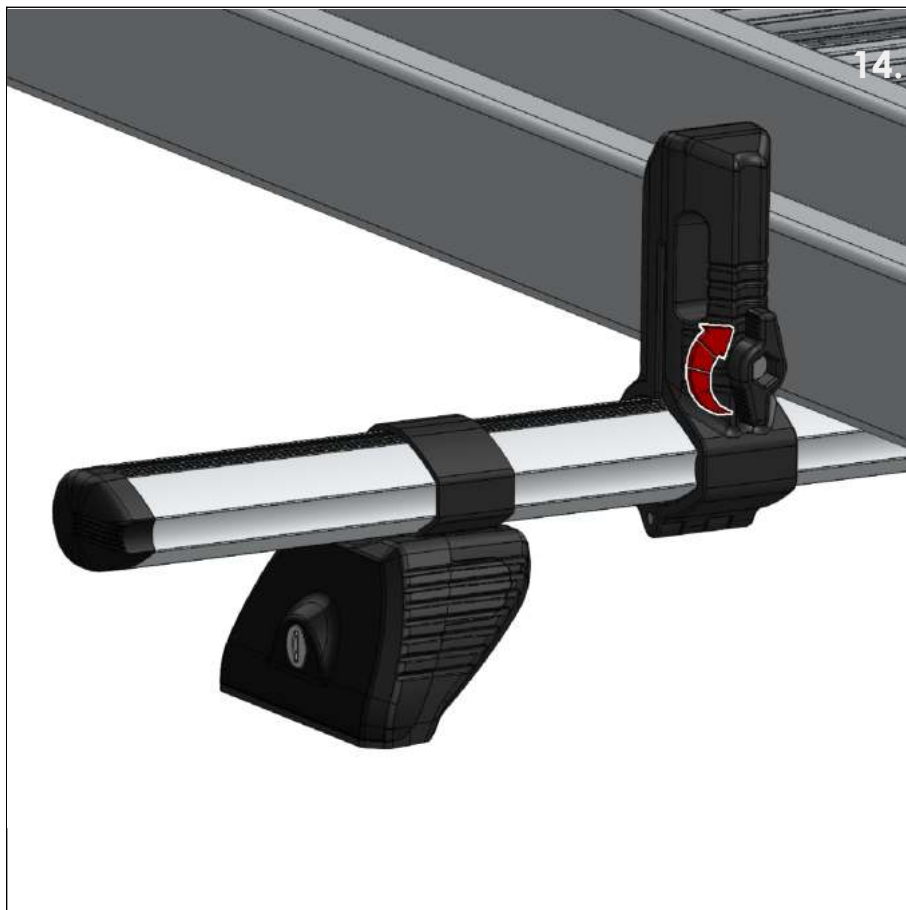


10mm x 1



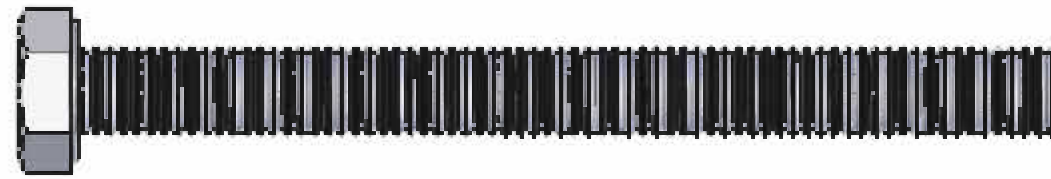




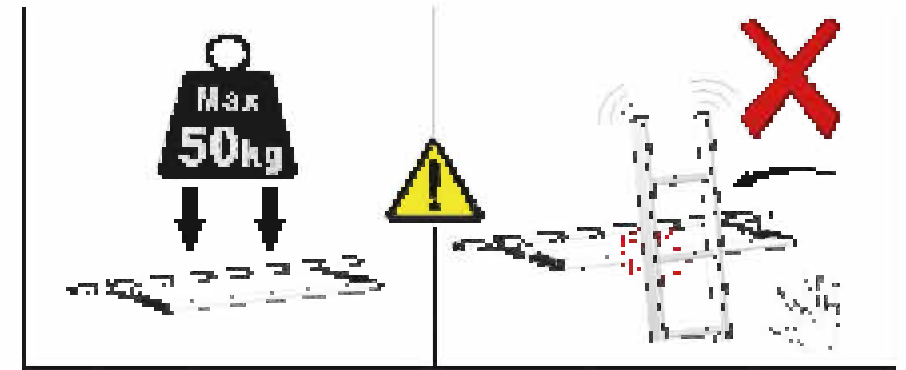




PS201 x 2



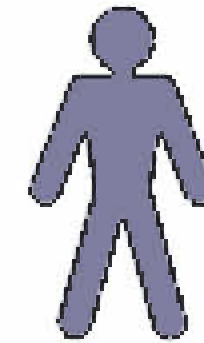
FS109 (M8 x 90) x 2



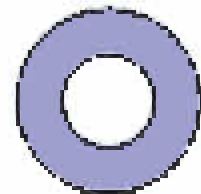
PS202 x 2



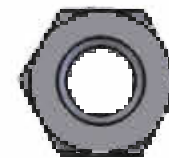
FS105 (M8 x 55) x 2



PS203 x 4



FW021 (M8) x 2



FN039 (M8) x 6



5mm x 1



PS204 x 2



13mm x 1



LA074 x 2



FS110 (M8 x 10) x 2



FS103 (M6 x 25) x 2

