



SA055 x 2



SA056 x 2



SA070 x 4



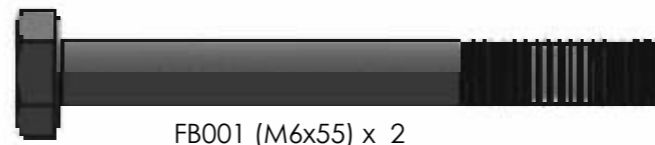
PS186 x 4



SA069 x 2



PS210 x 4



FB001 (M6x55) x 2



FS062 (M8x25) x 2



FS103 (M6x25) x 4



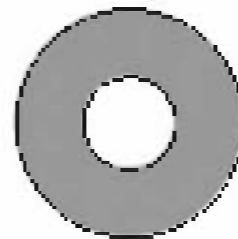
FW001 (M6) x 4



TP030 (M6) x 2



PS209 (M6) x 4



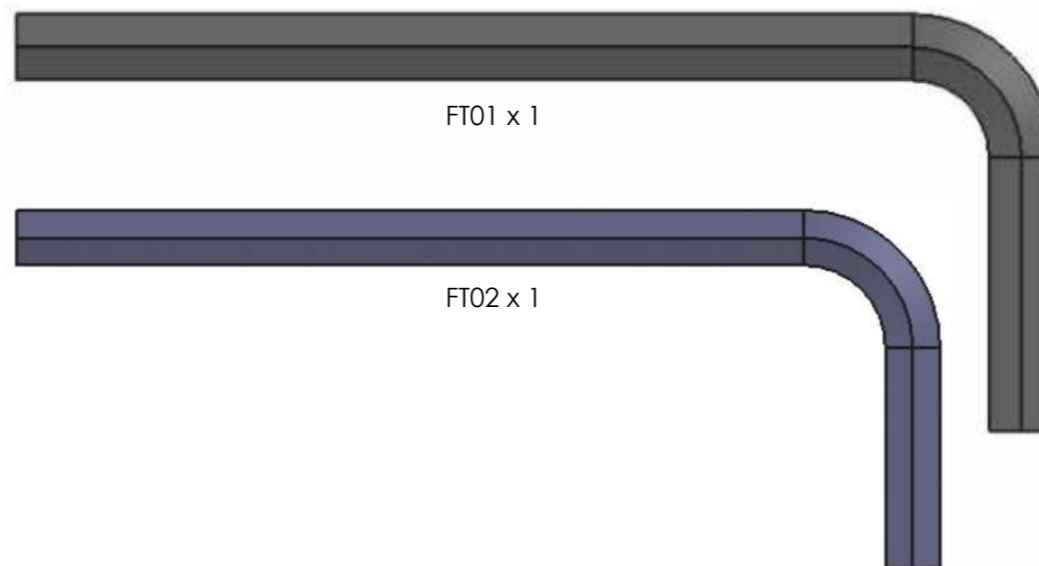
FW002 (M8) x 2



PS208 (M6) x 2

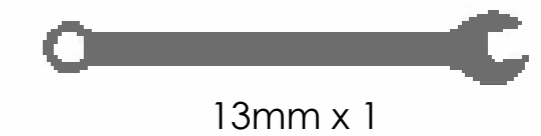
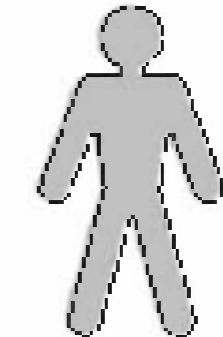
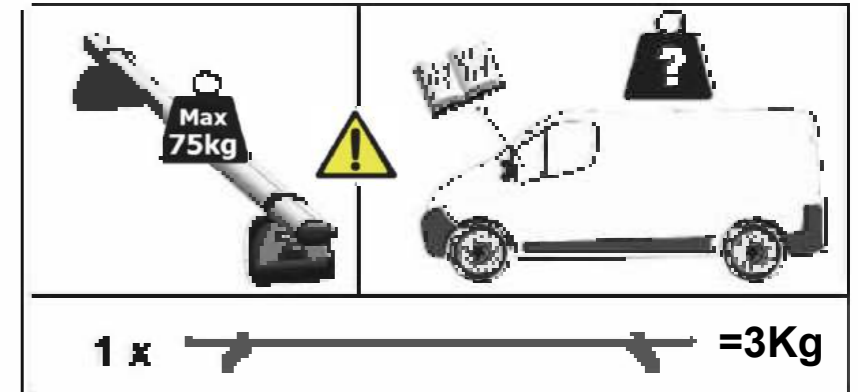


FW036 (M6) x 2

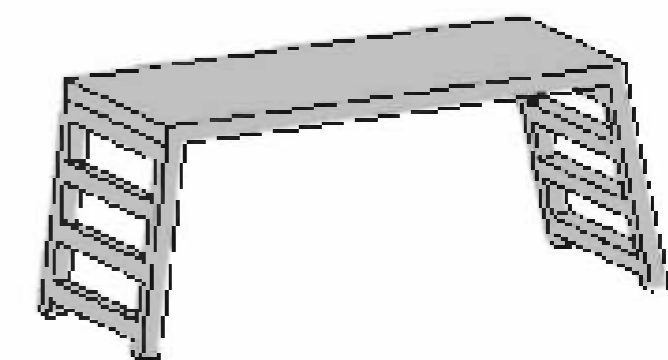


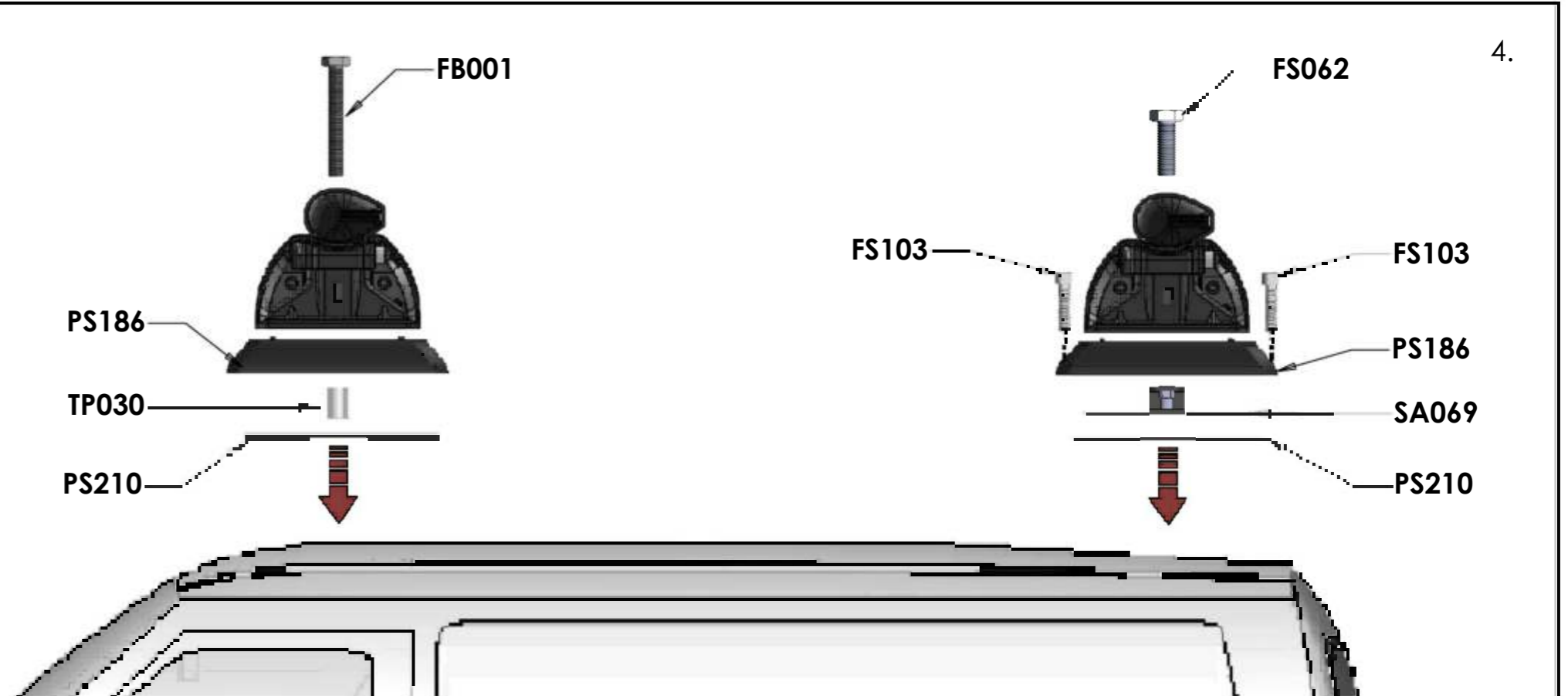
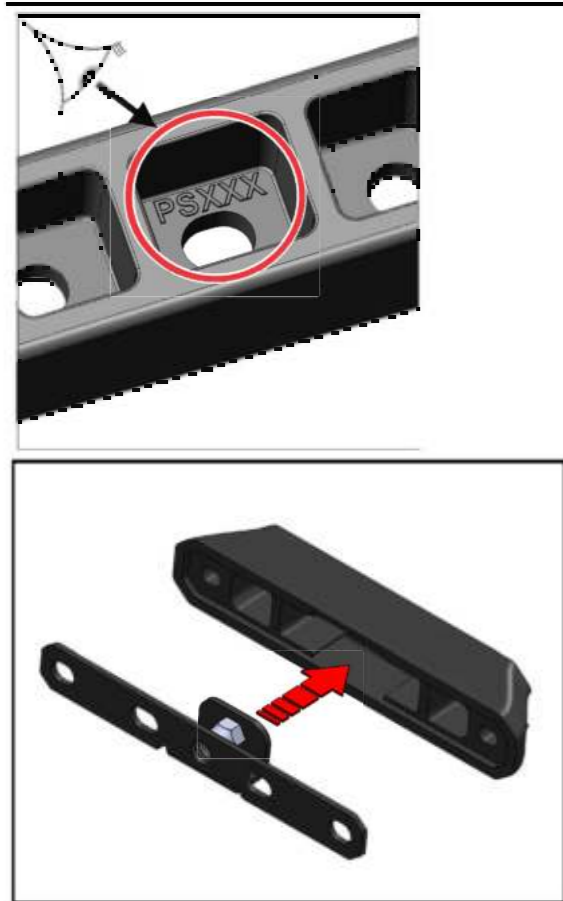
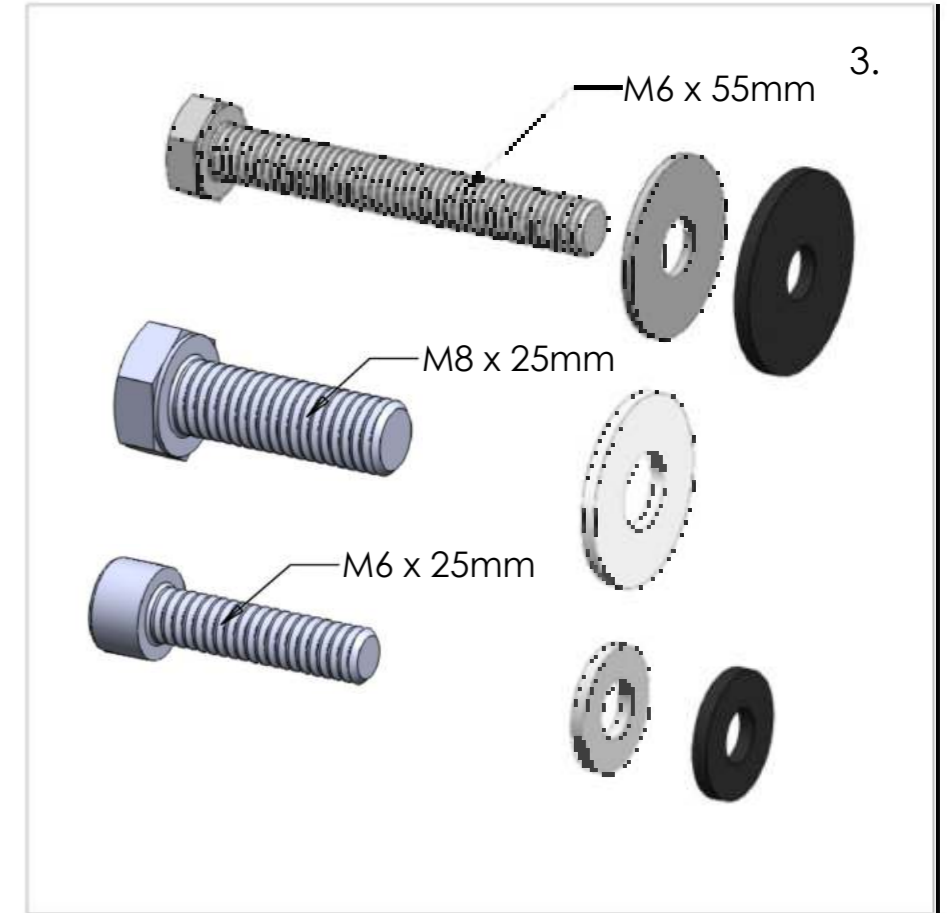
FT01 x 1

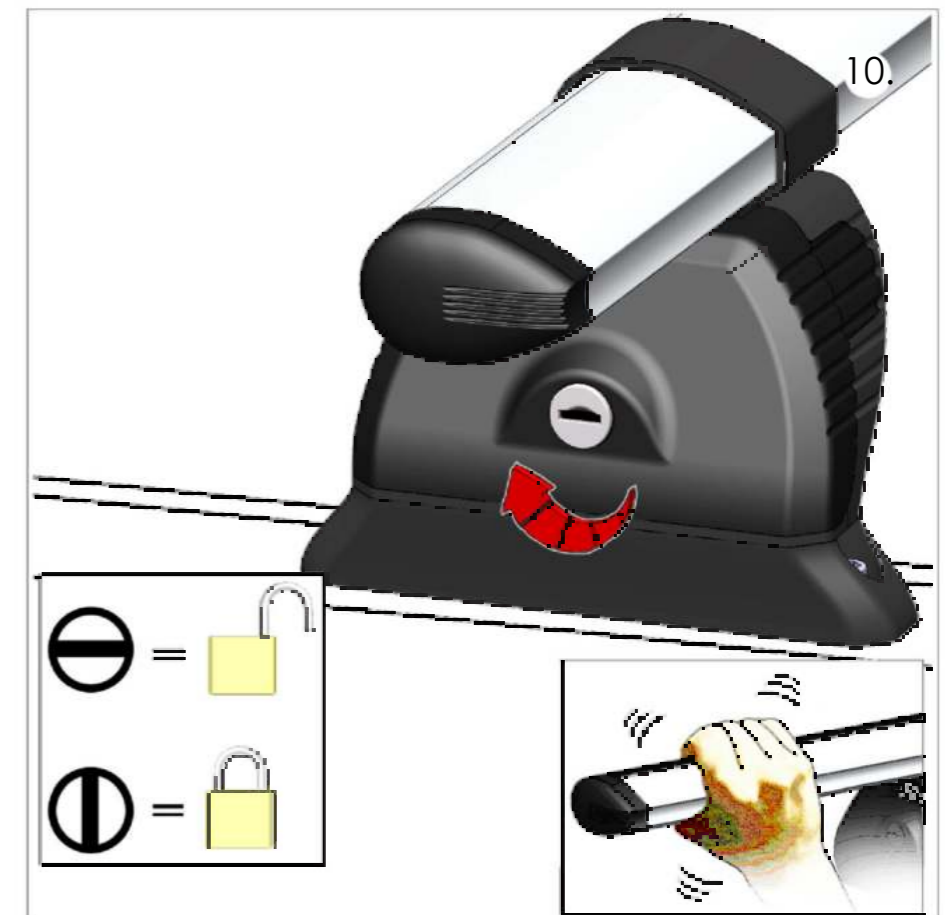
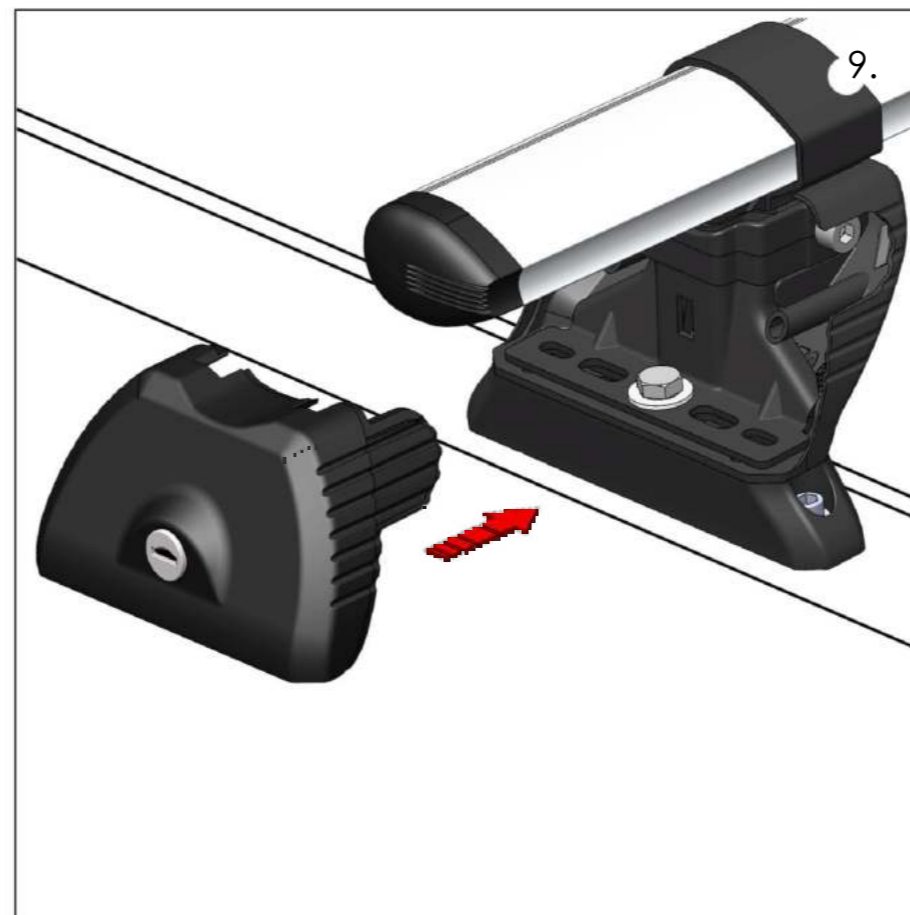
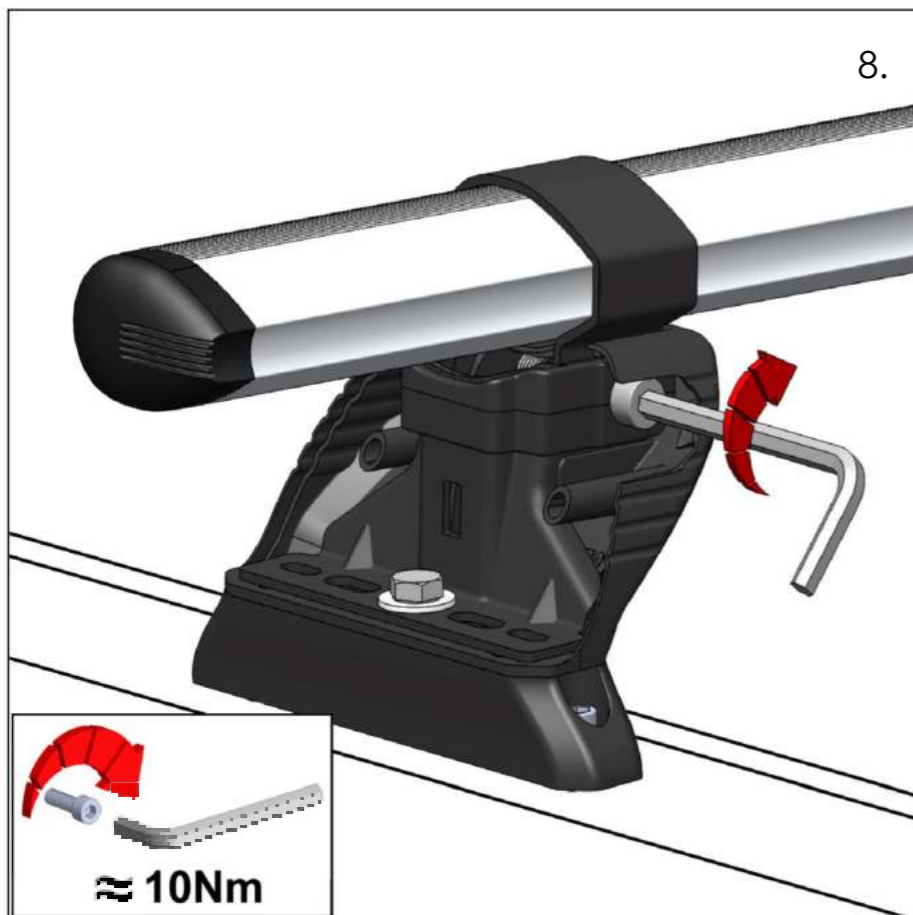
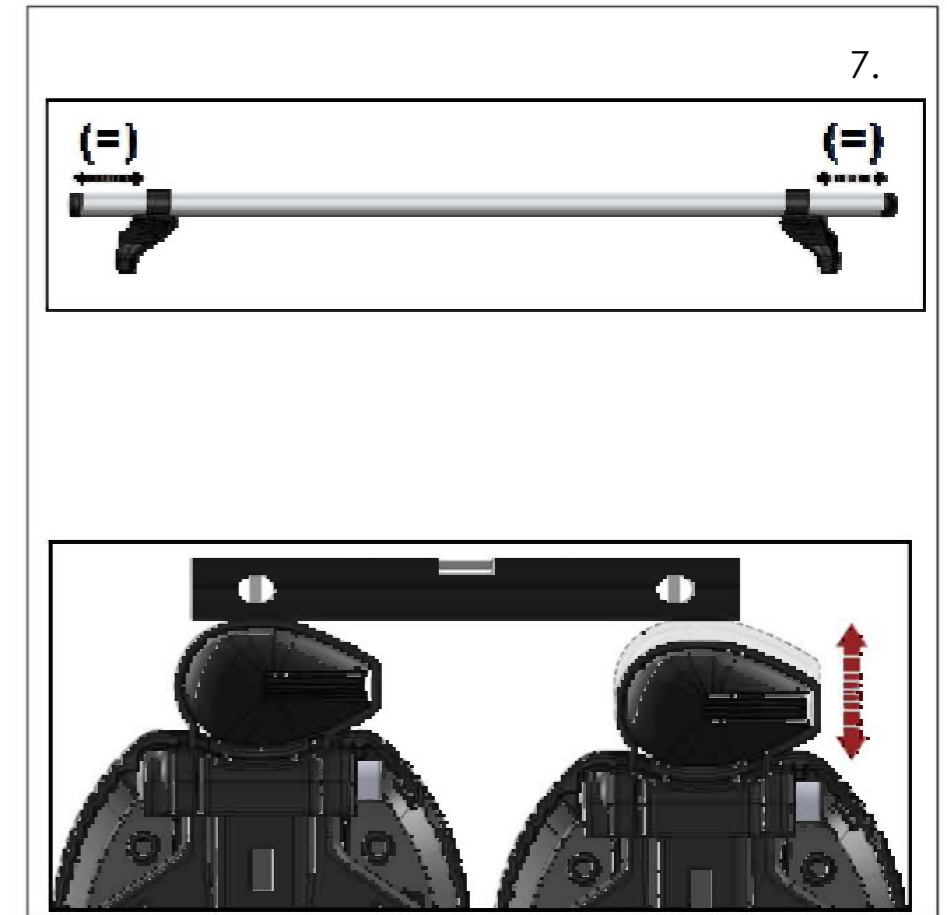
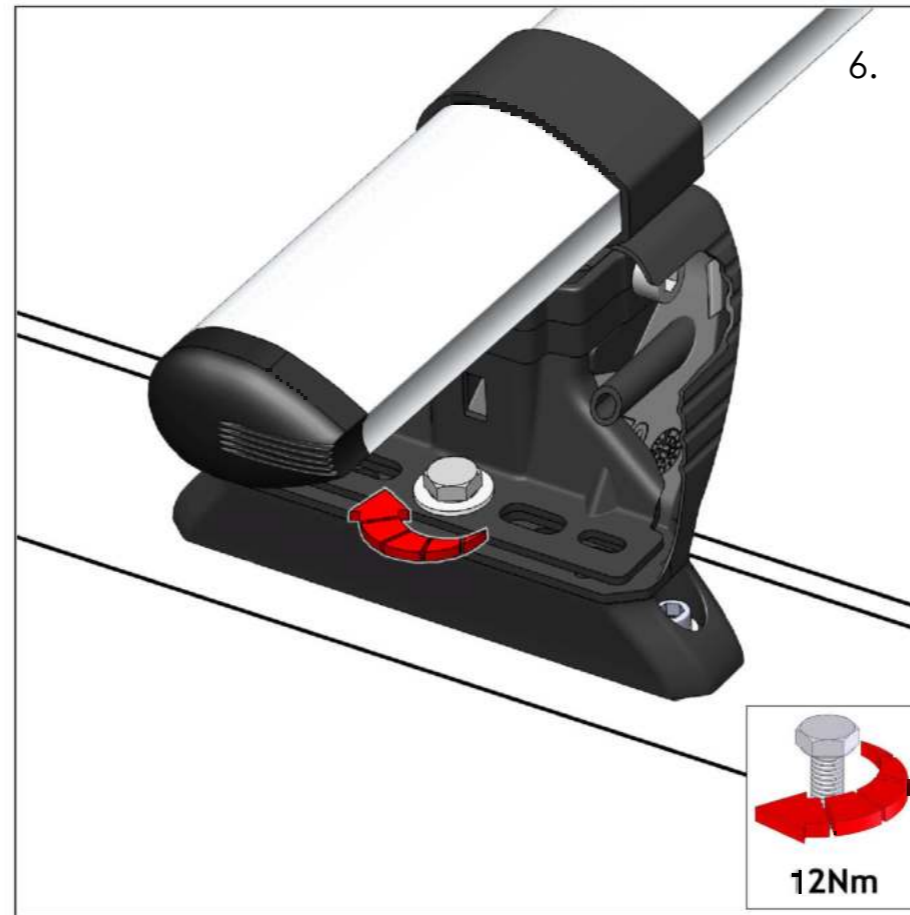
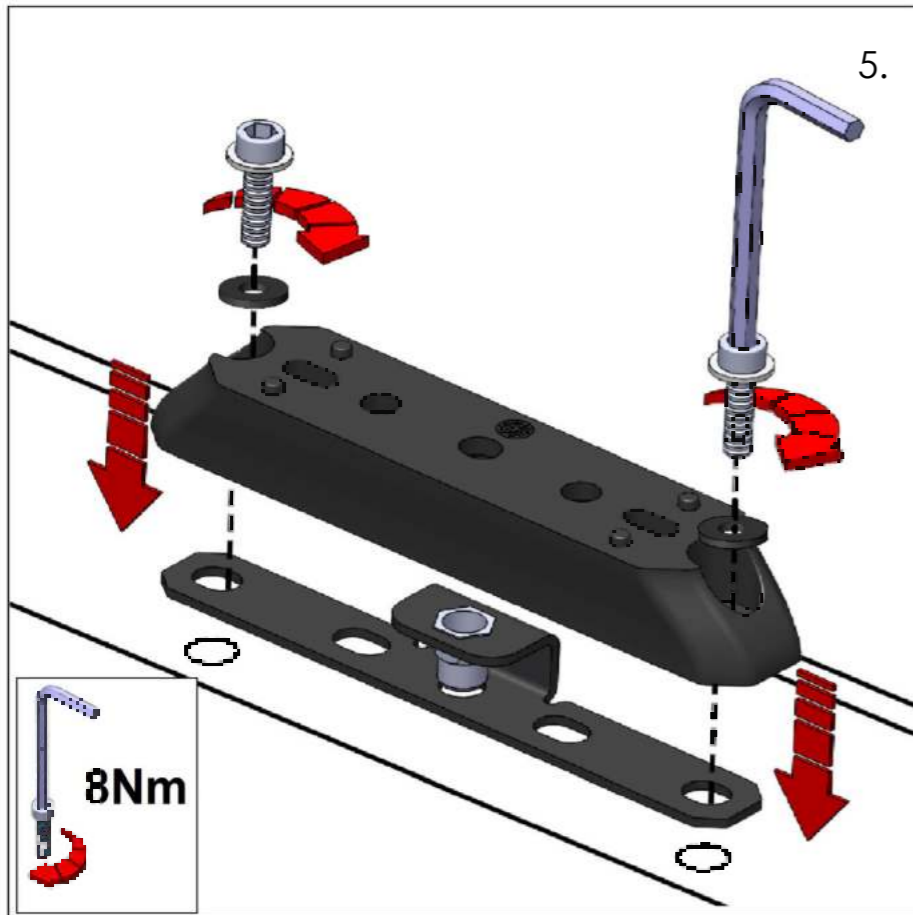
FT02 x 1

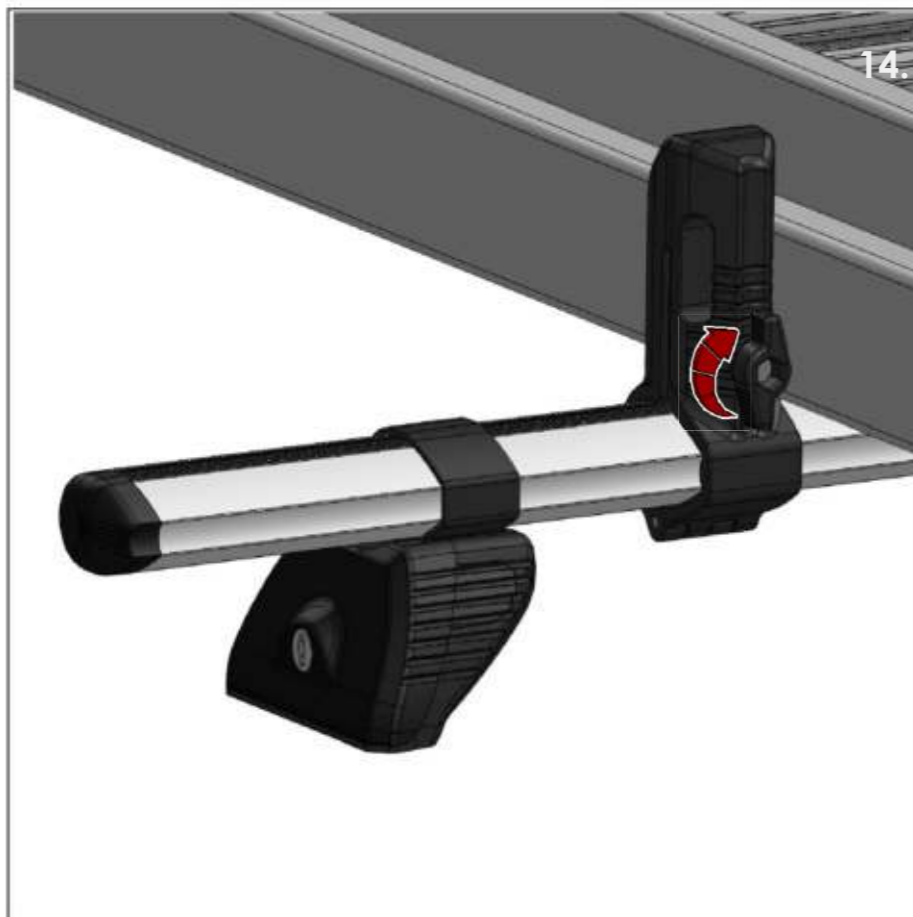
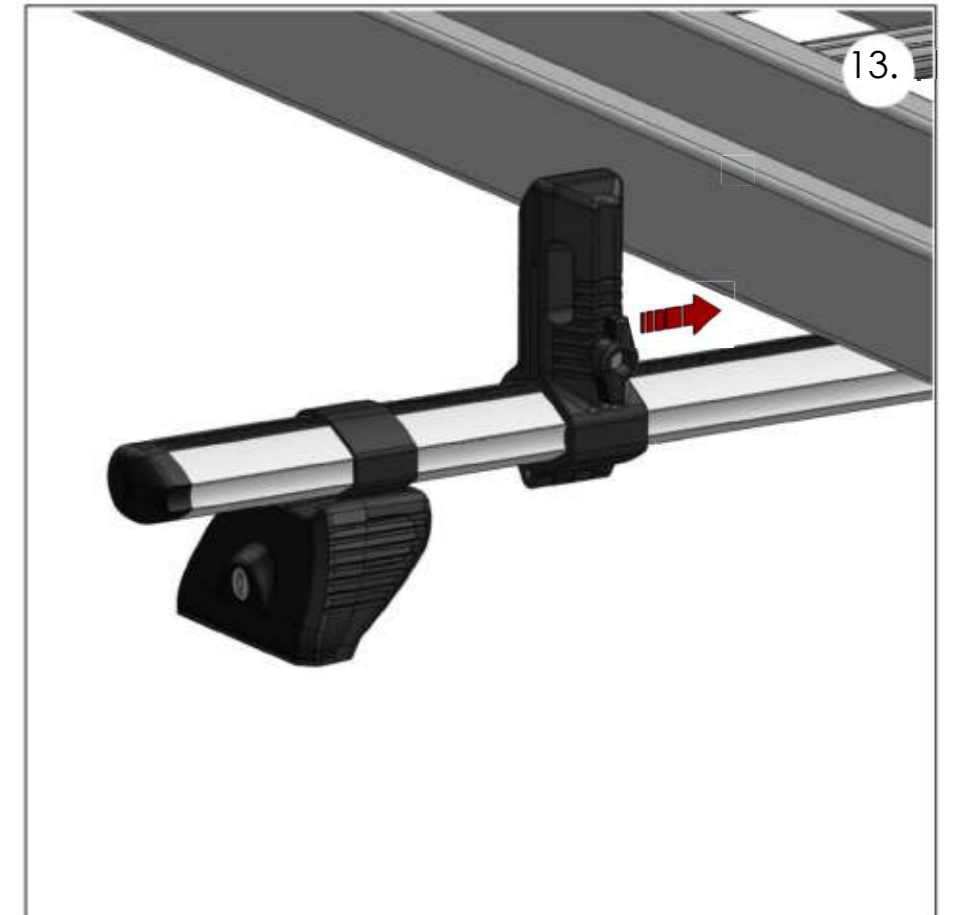


13mm x 1











SA055 x 3



SA056 x 3



SA070 x 4



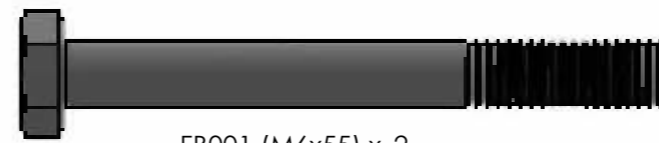
PS186 x 6



PS210 x 6



SA069 x 4



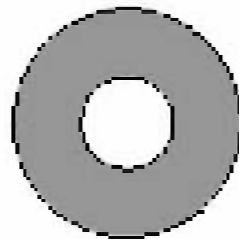
FB001 (M6x55) x 2



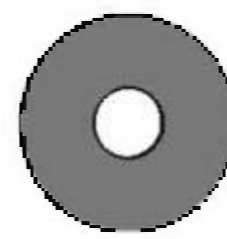
FS103 (M6x25) x 8



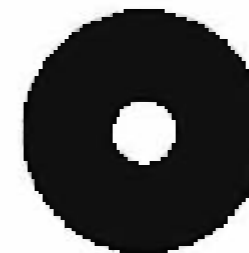
FS062 (M8x25) x 4



FW002 (M8) x 4



FW036 (M8) x 2



PS208 (M8) x 4



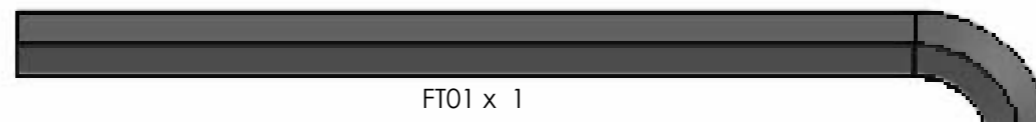
FW001 (M6) x 8



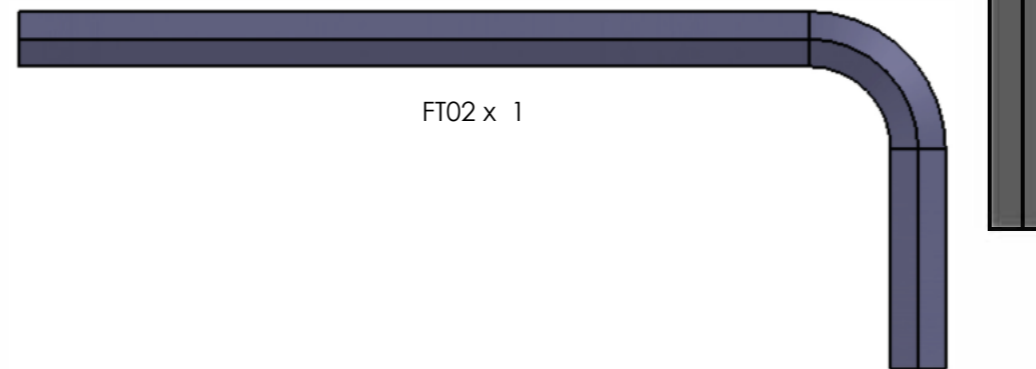
TP030 (M8) x 2



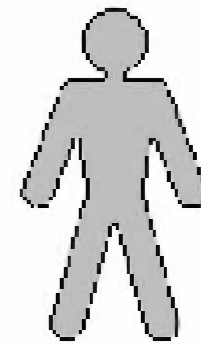
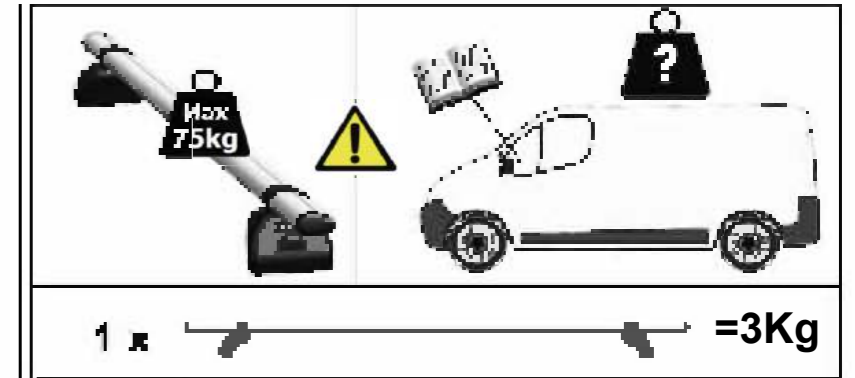
PS209 (M6) x 8



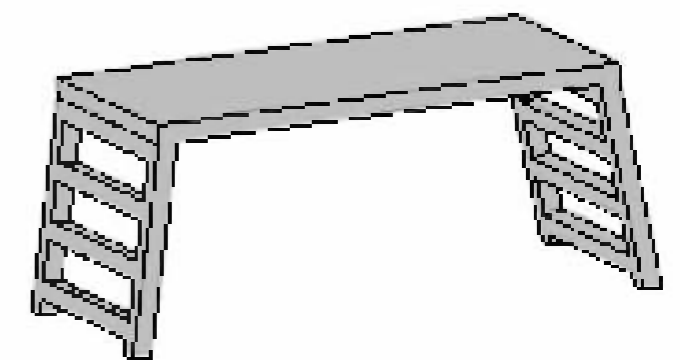
FT01 x 1

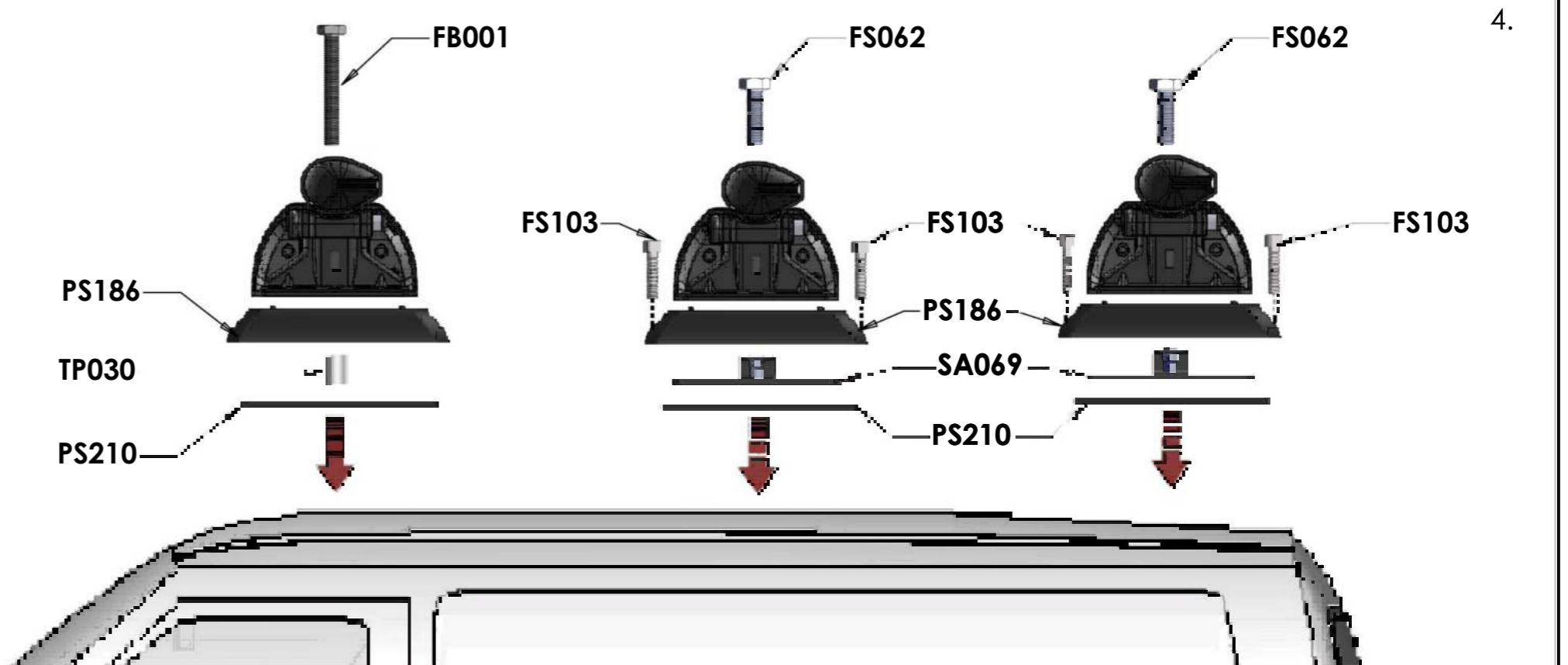
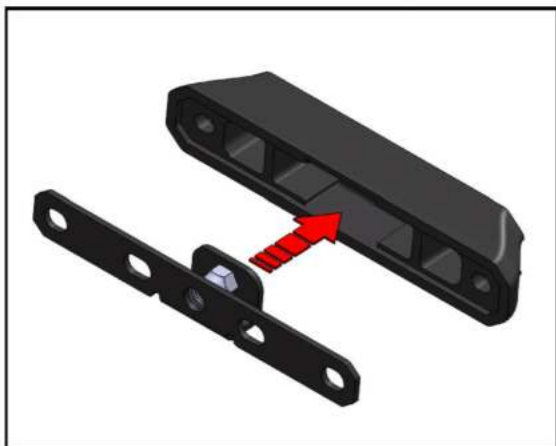
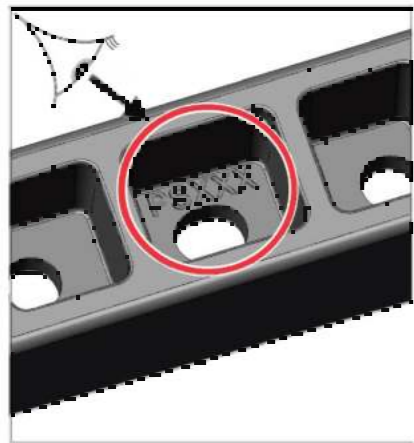
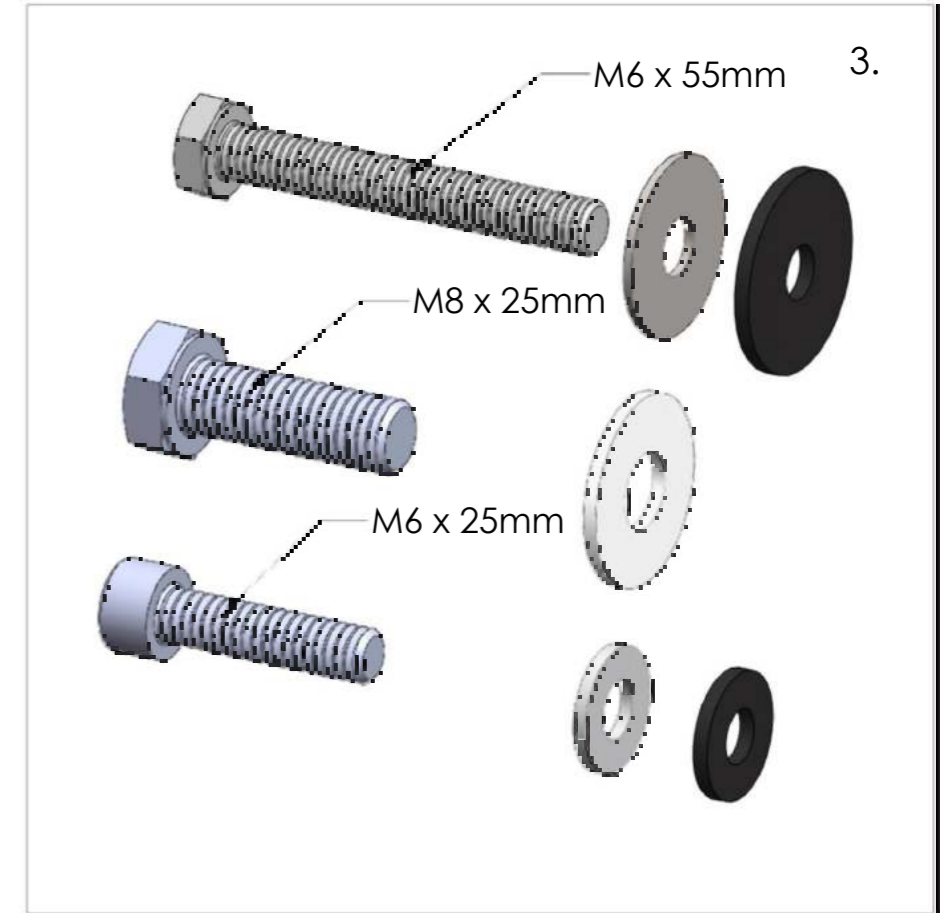
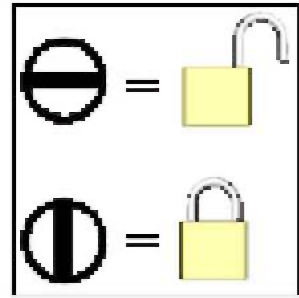


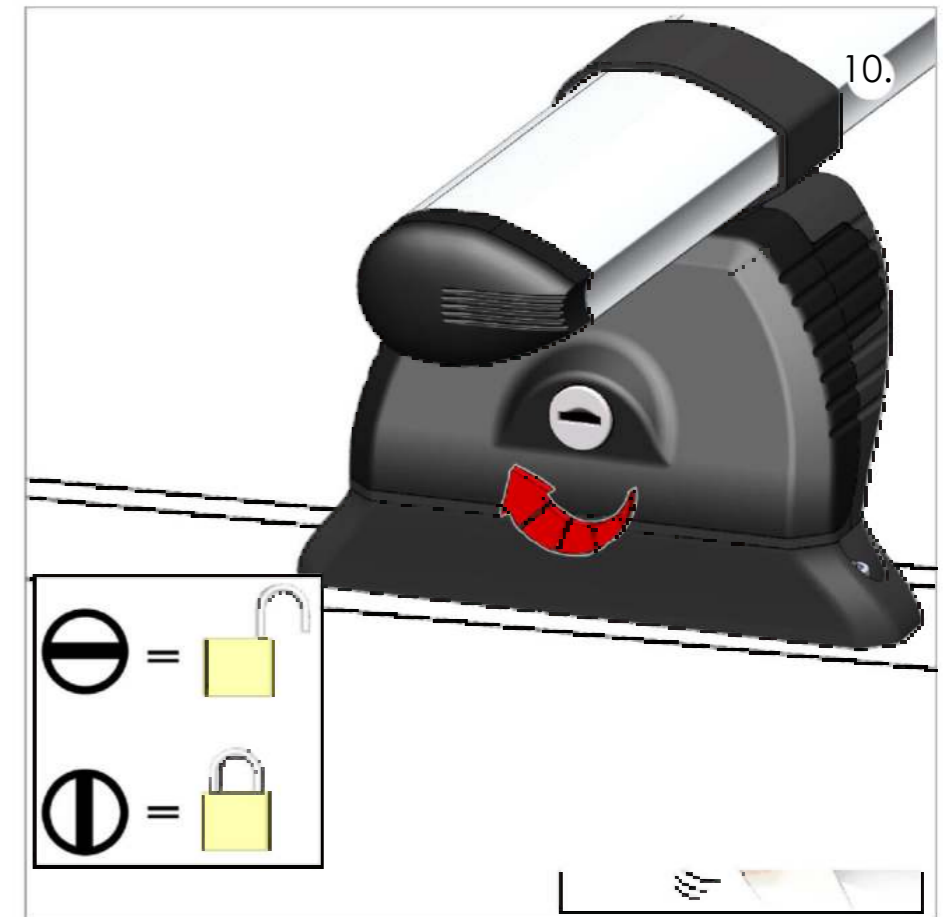
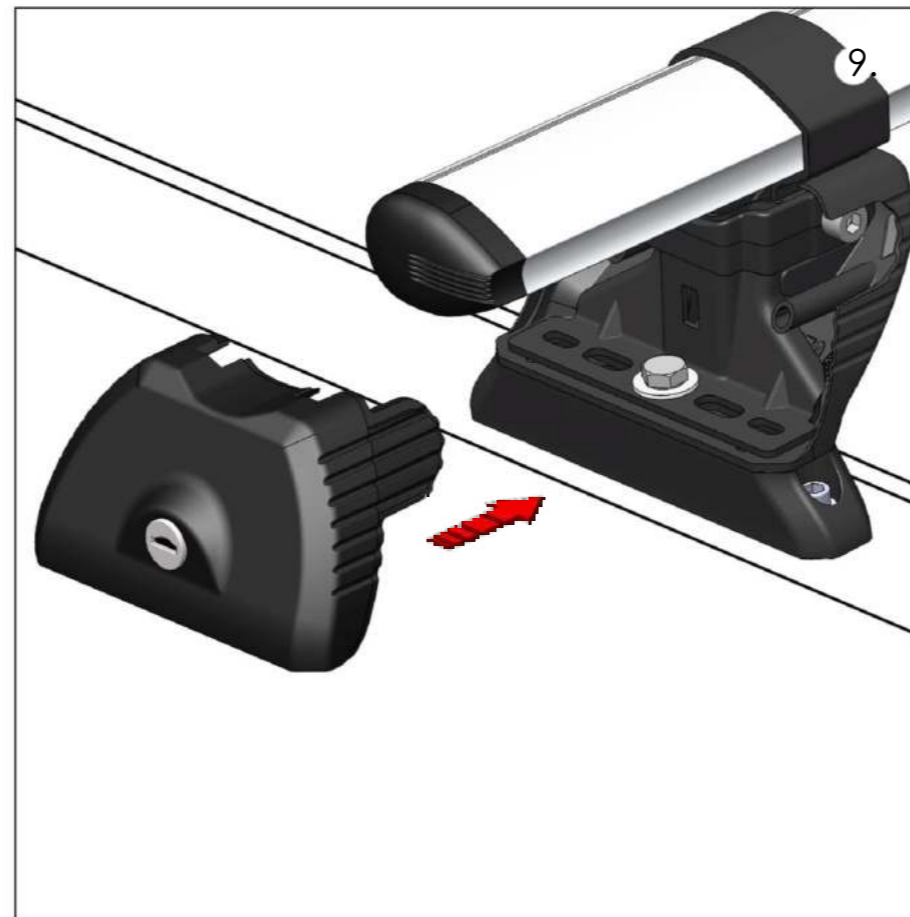
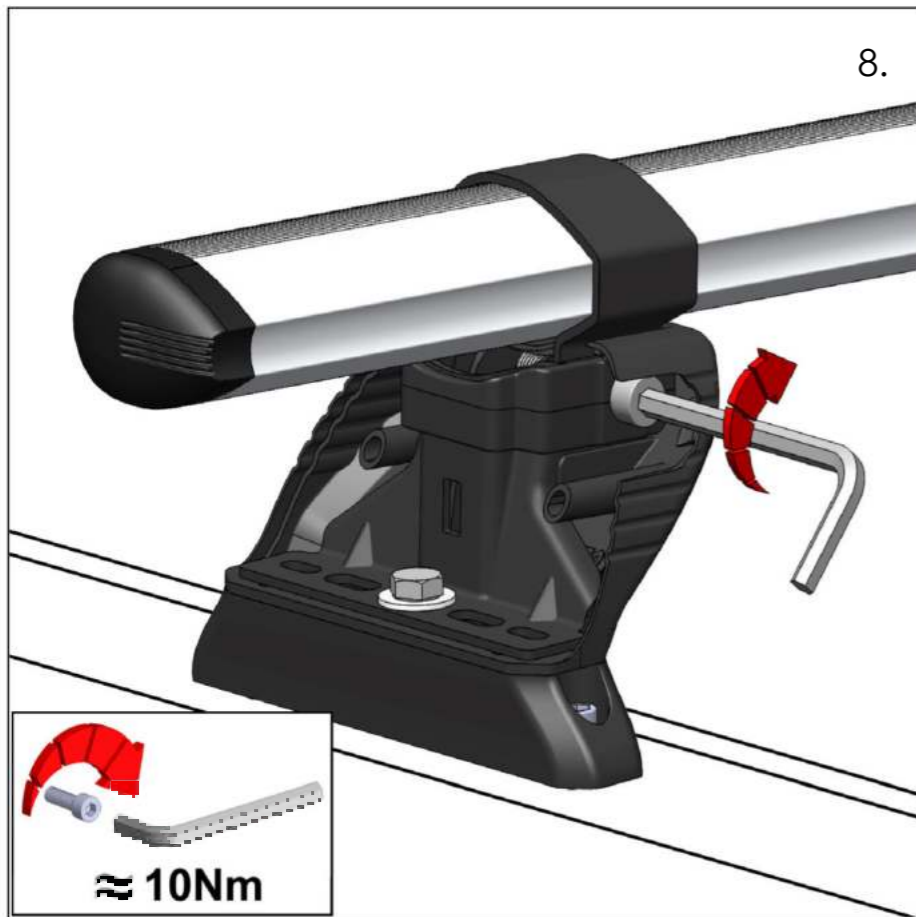
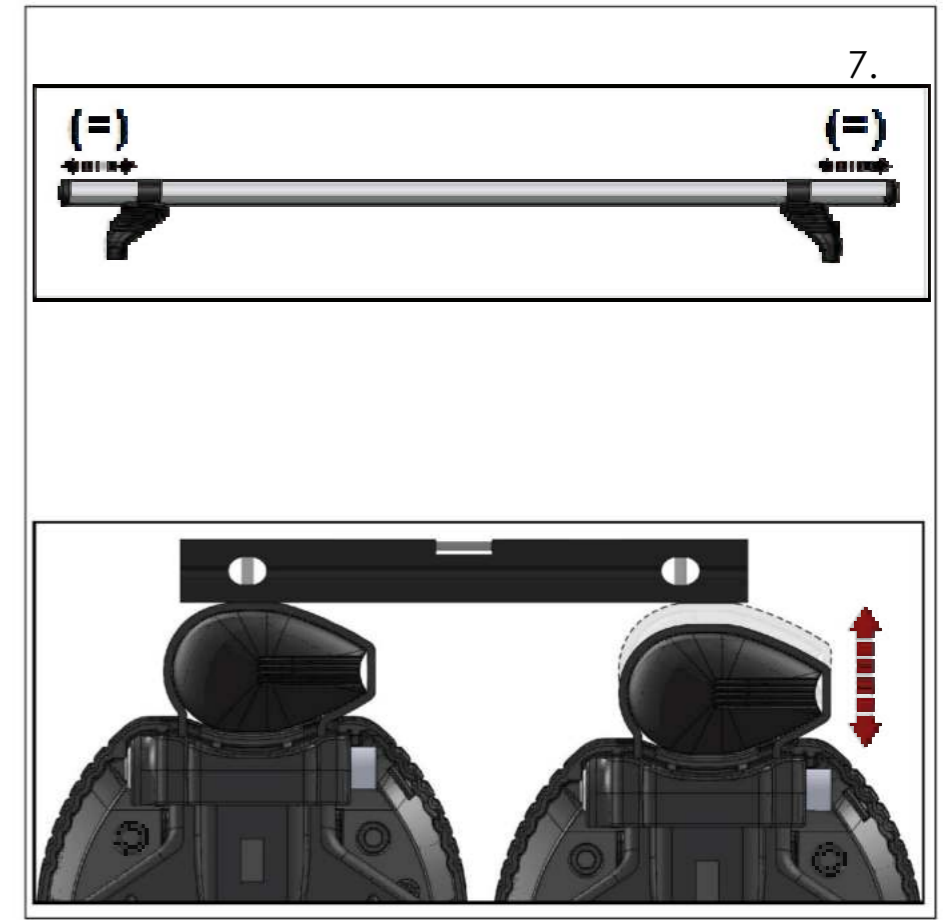
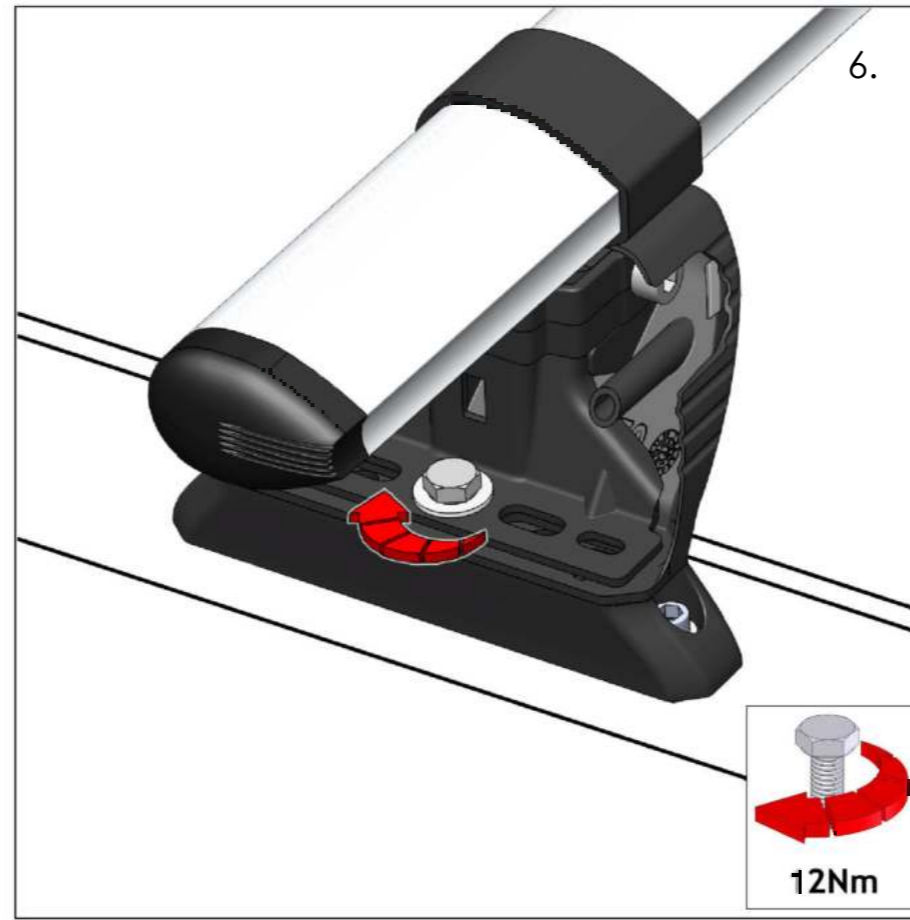
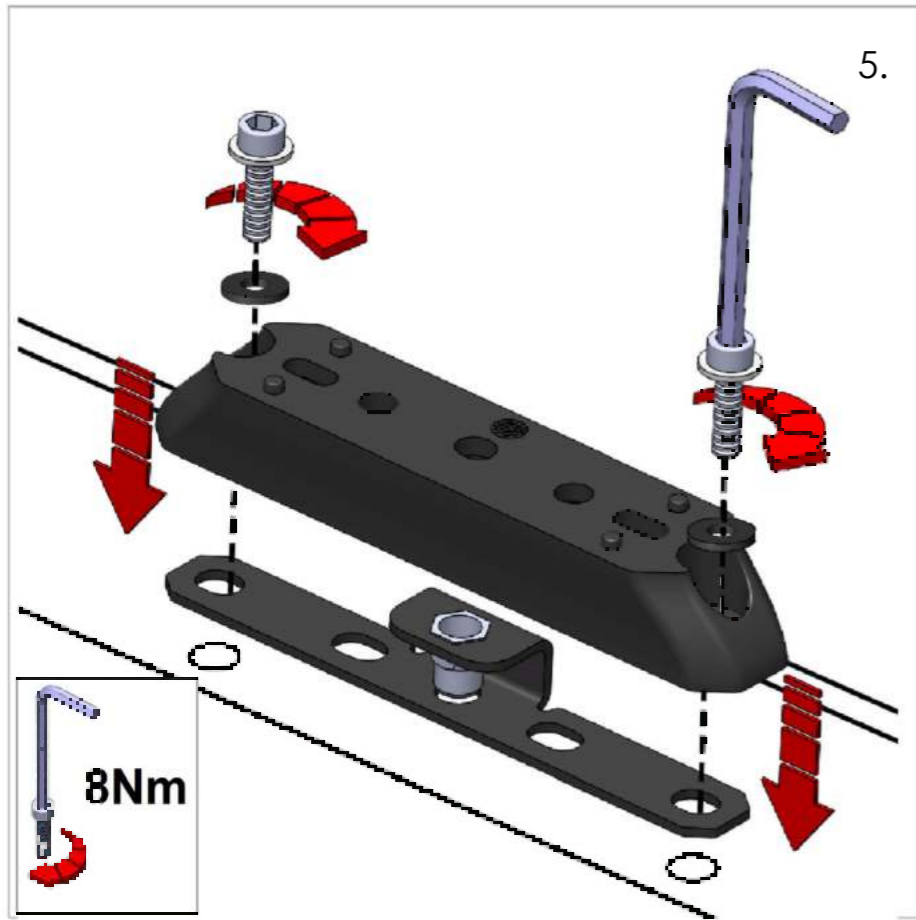
FT02 x 1

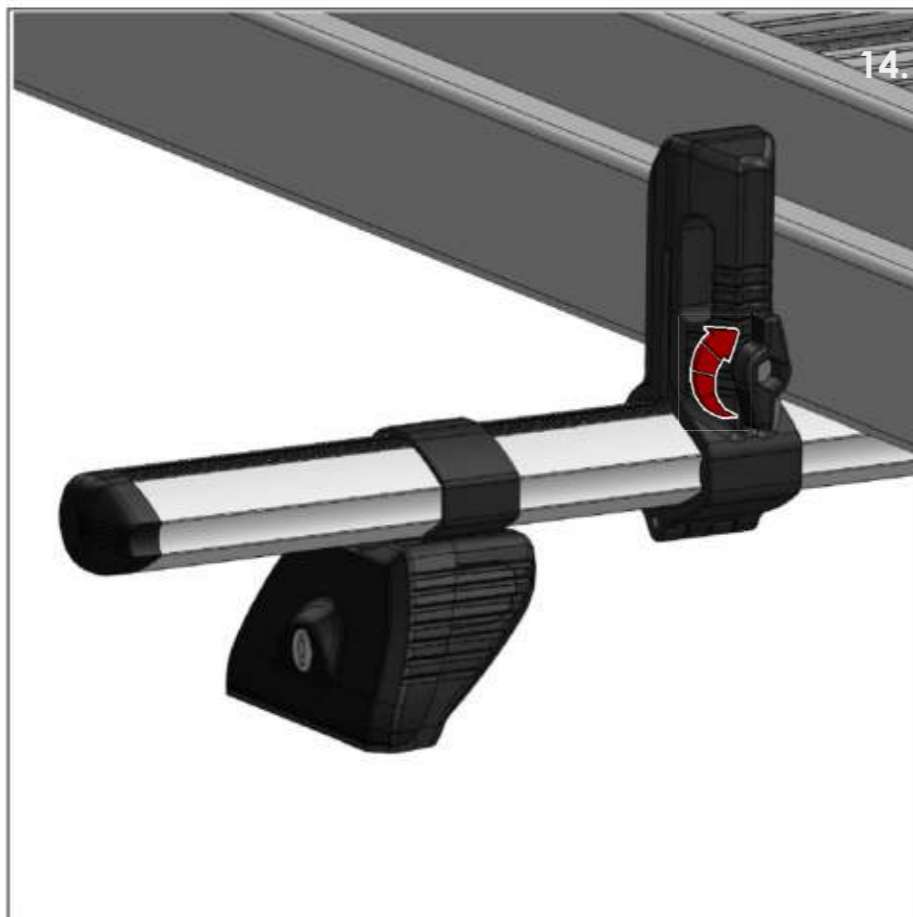


13mm x 1













SA055 x 4



SA056 x 4



SA070 x 4



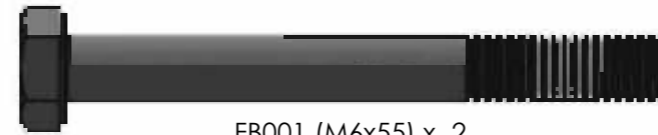
PS186 x 8



SA069 x 6



PS210 x 8



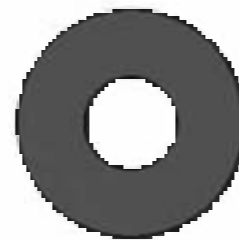
FB001 (M6x55) x 2



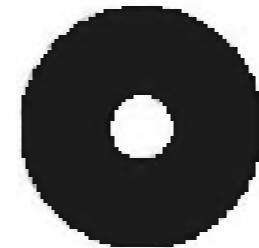
FS062 (M8x25) x 6



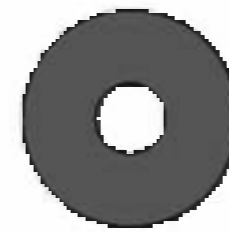
FS103 (M6x25) x 12



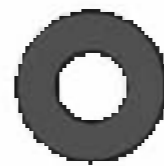
FW002 (M8) x 6



PS208 (M8) x 2



FW036 (M8) x 2



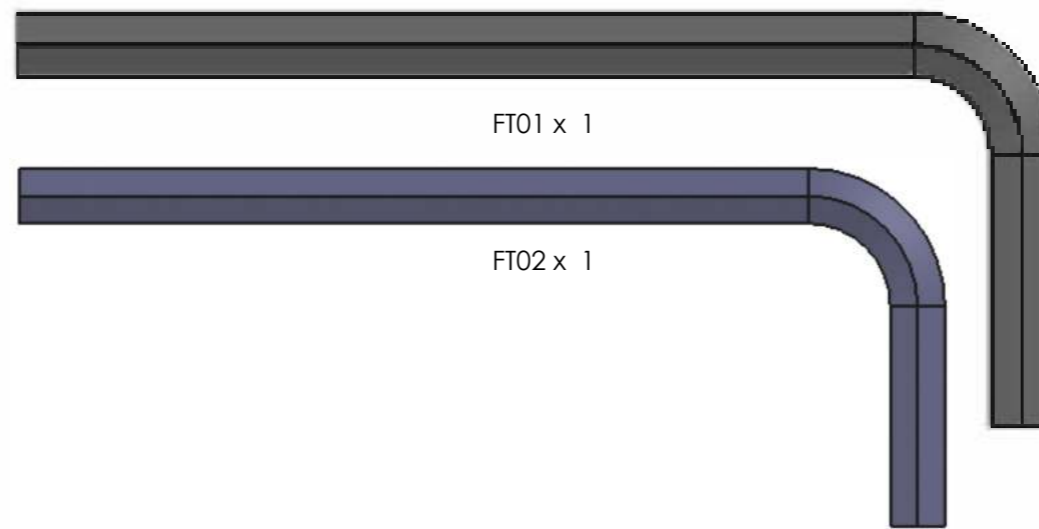
FW001 (M6) x 12



TP030 (M6) x 2

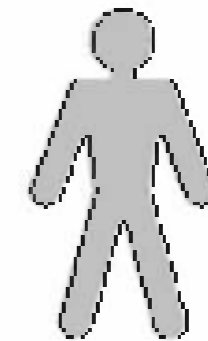
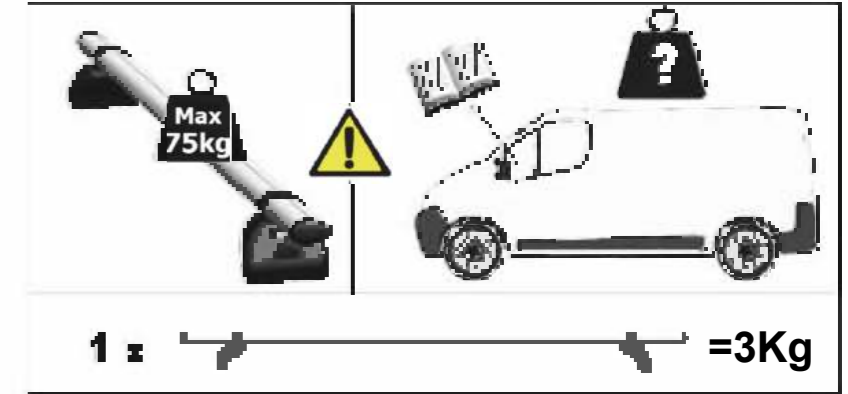


PS209 (M6) x 12



FT01 x 1

FT02 x 1



13mm x 1

