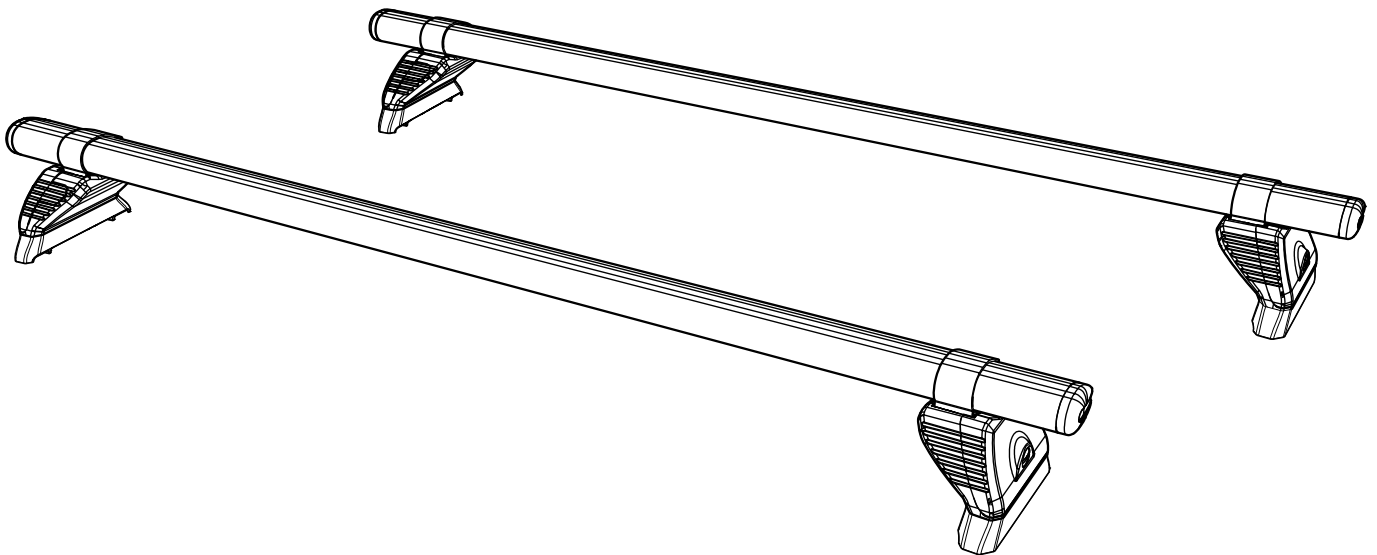


KD2PR/FL

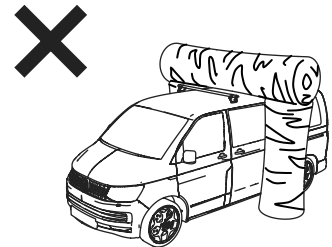
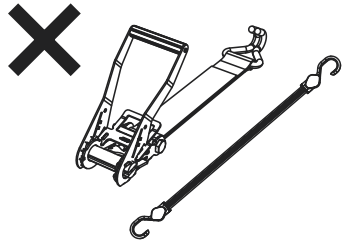
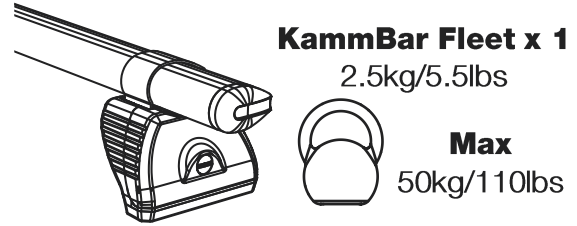
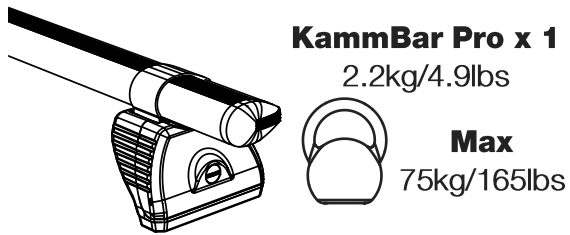
KammBar

Instructions

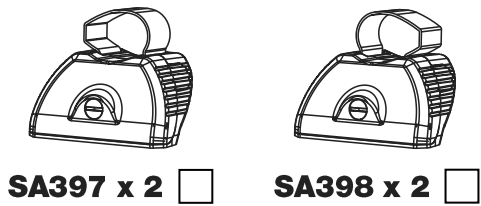
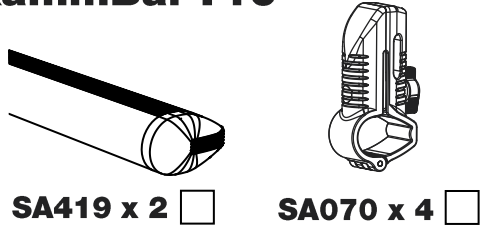


CITY CRASH (✓)

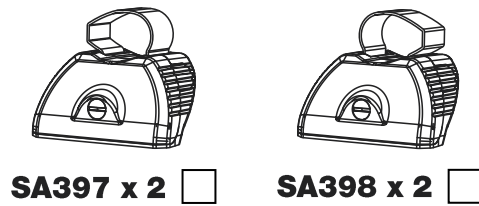
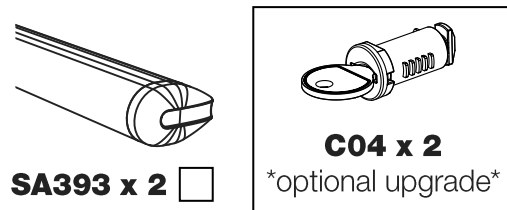
According to ISO/ PAS 11154:2006



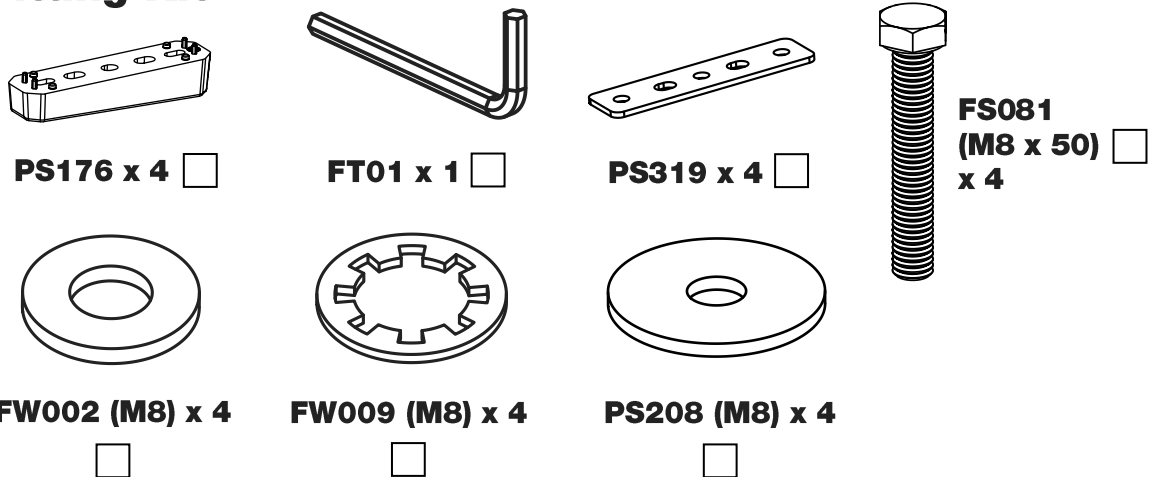
KammBar Pro



KammBar Fleet



Fitting Kit



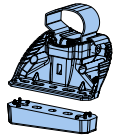
1.



2.



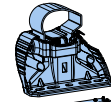
3.



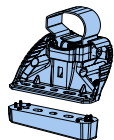
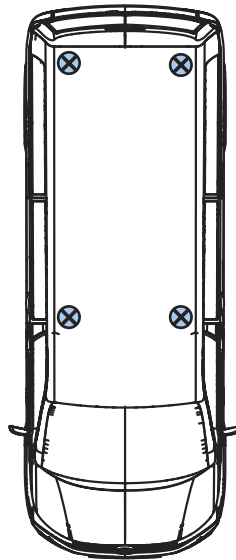
SA397

PS176

SA398



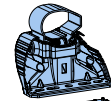
PS176



SA397

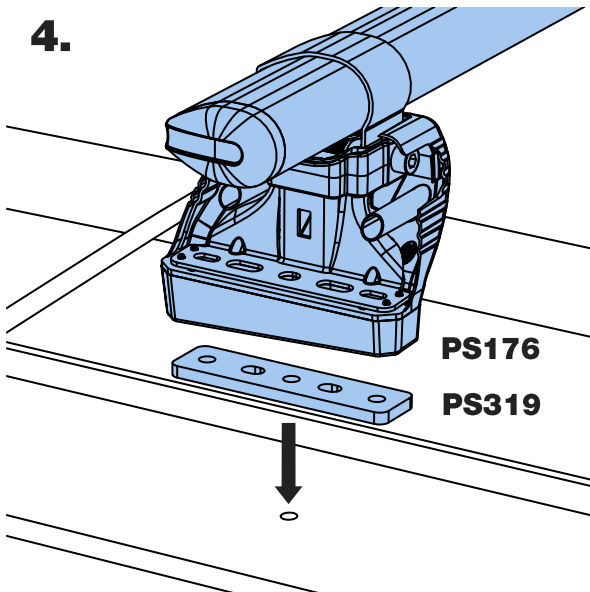
PS176

SA398

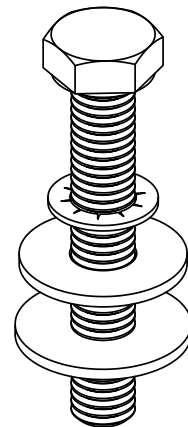


PS176

4.



5.



FS081

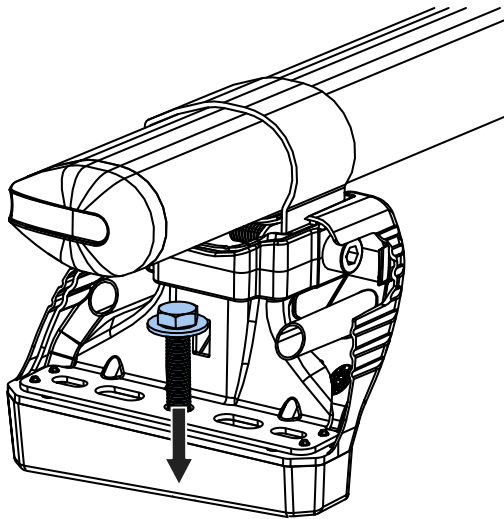
FW009

FW002

PS208

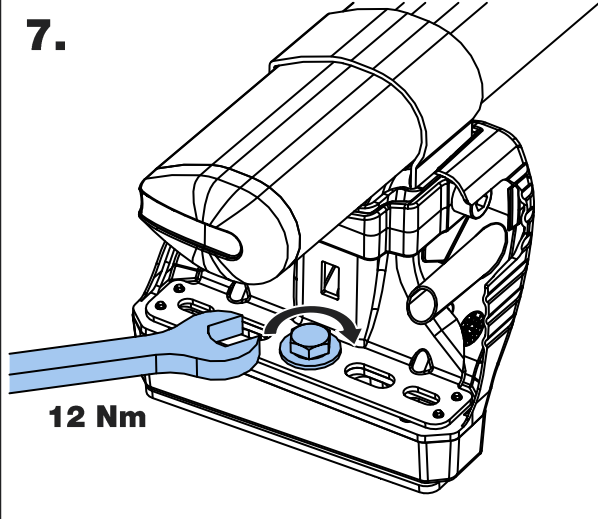
M8 x 50mm

6.

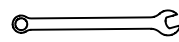


PS176 + M8 x 50mm

7.

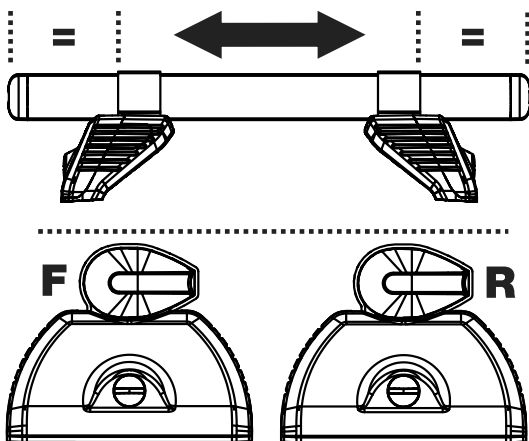


12 Nm

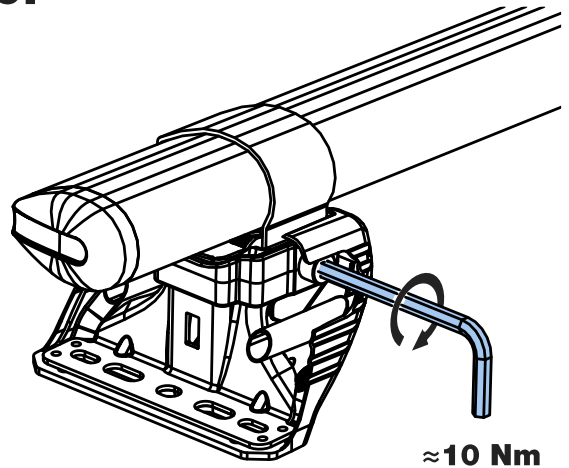


13mm

8.

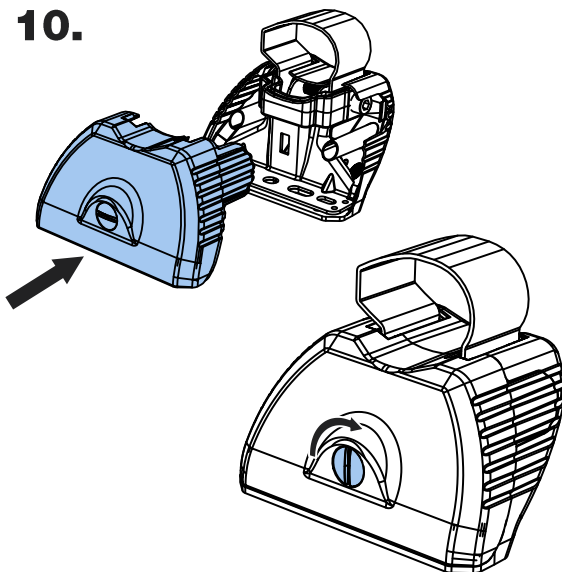


9.

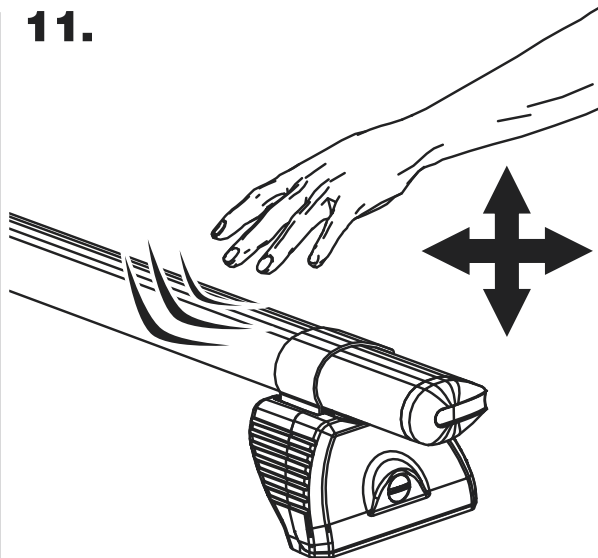


≈ 10 Nm

10.



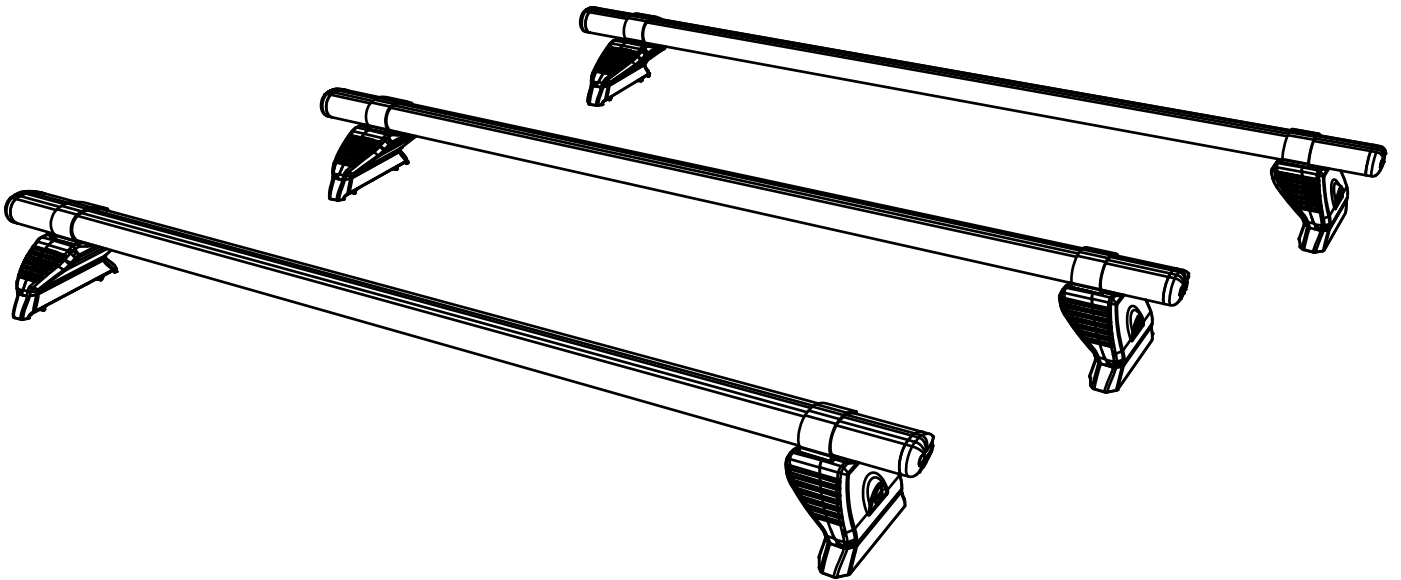
11.



KD3PR/FL

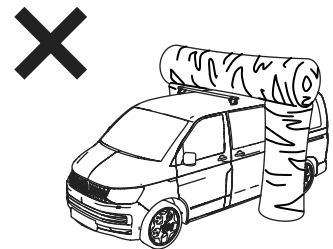
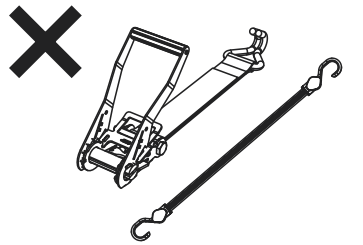
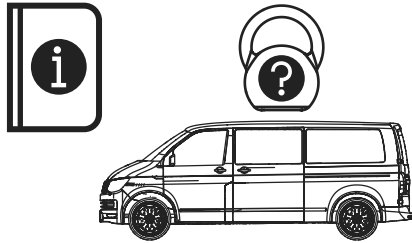
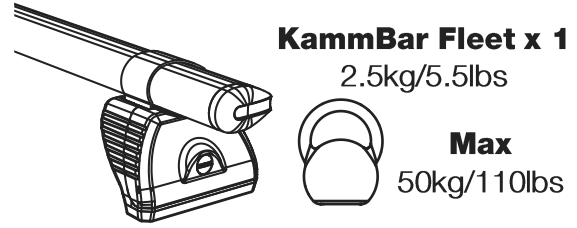
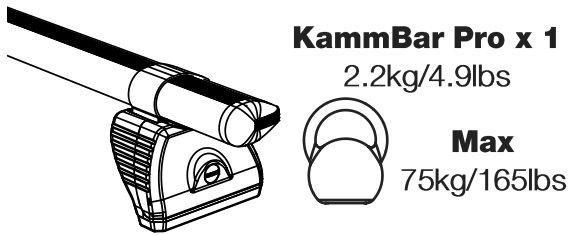
KammBar

Instructions

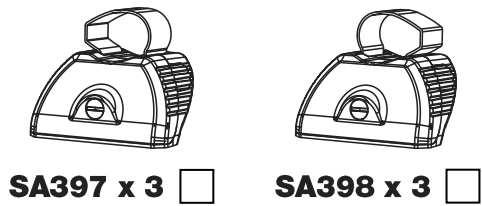
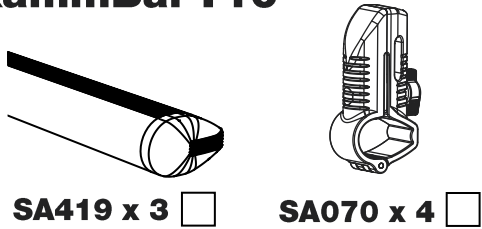


CITY CRASH (✓)

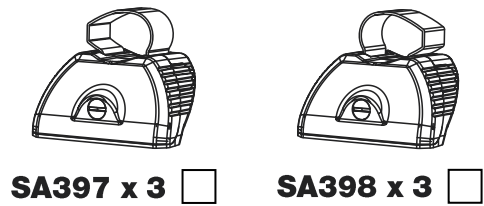
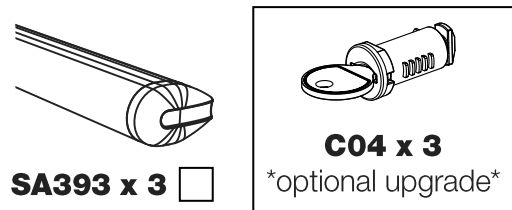
According to ISO/ PAS 11154:2006



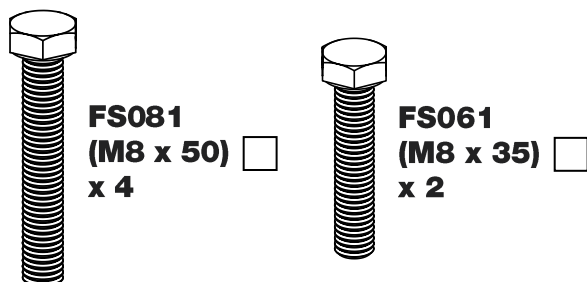
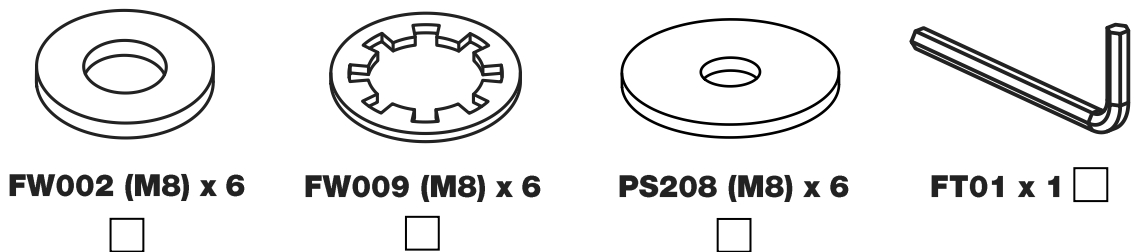
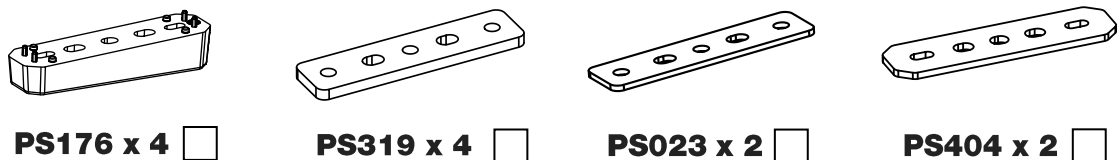
KammBar Pro



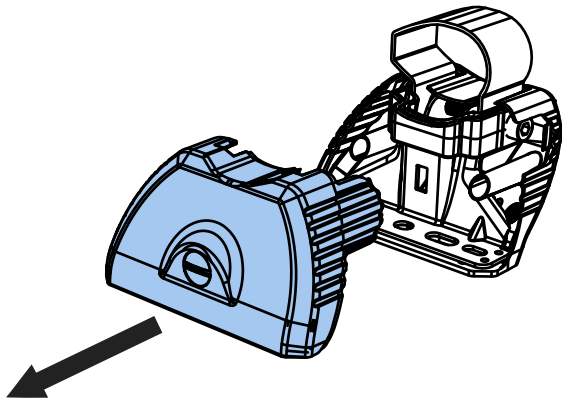
KammBar Fleet



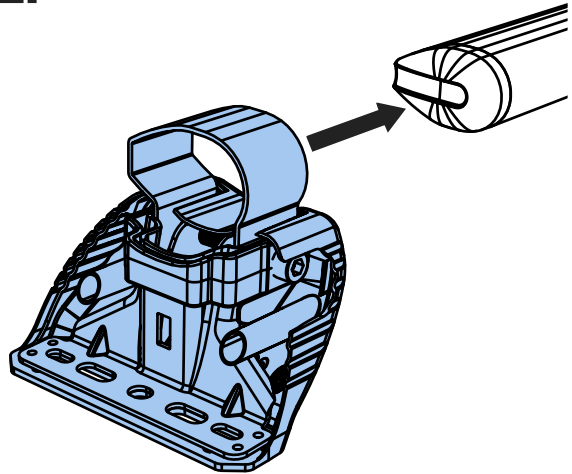
Fitting Kit



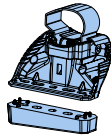
1.



2.



3.

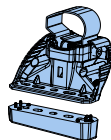


SA397

PS176

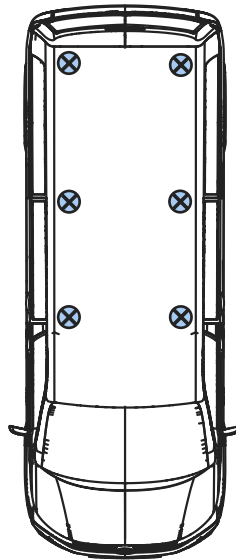


SA397

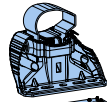


SA397

PS176

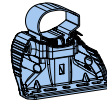


SA398

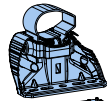


PS176

SA398

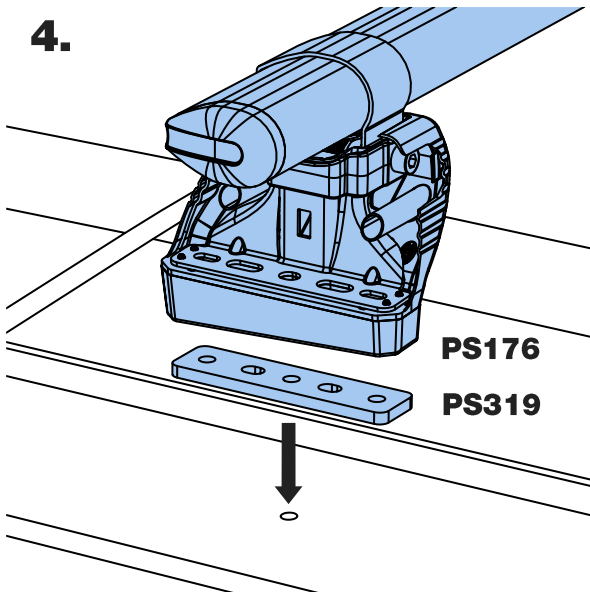


SA398

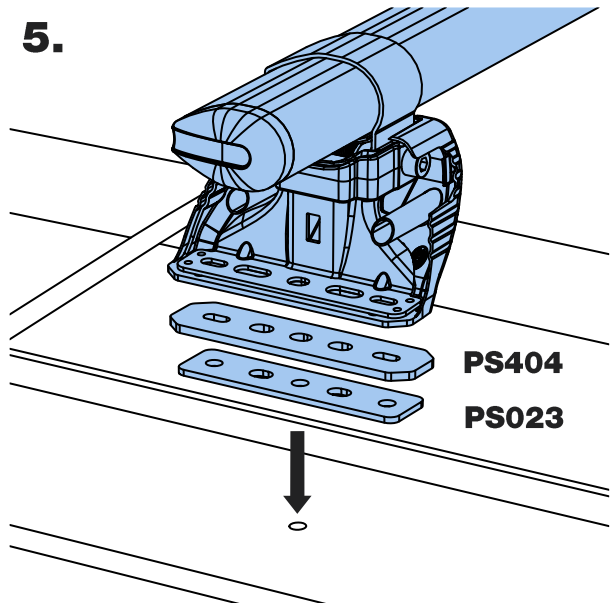


PS176

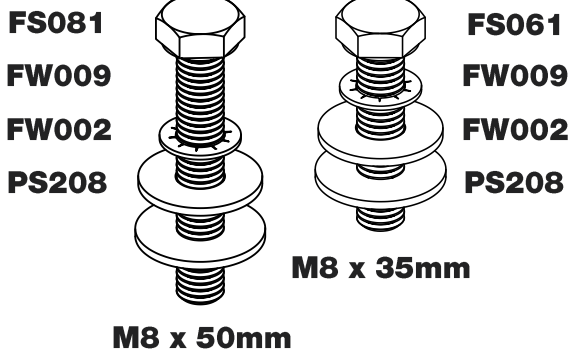
4.



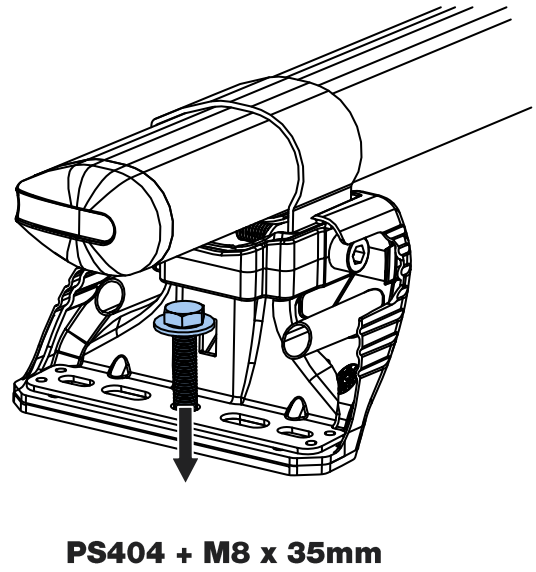
5.



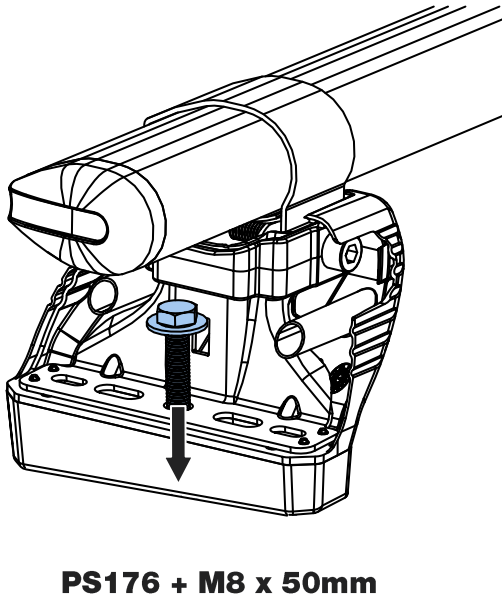
6.



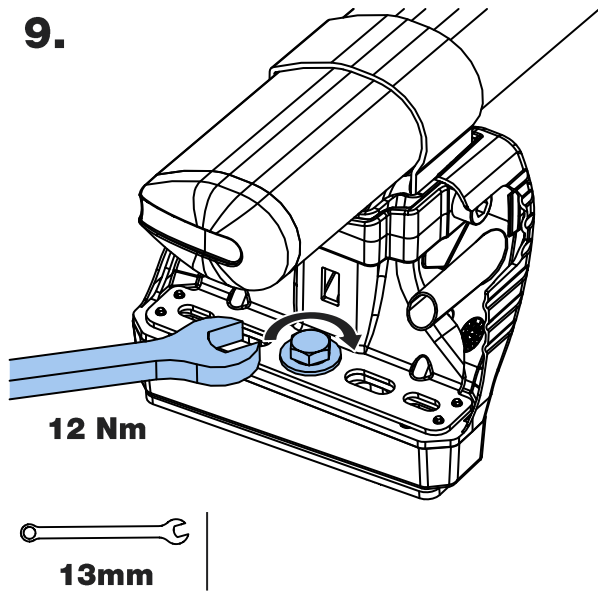
7.



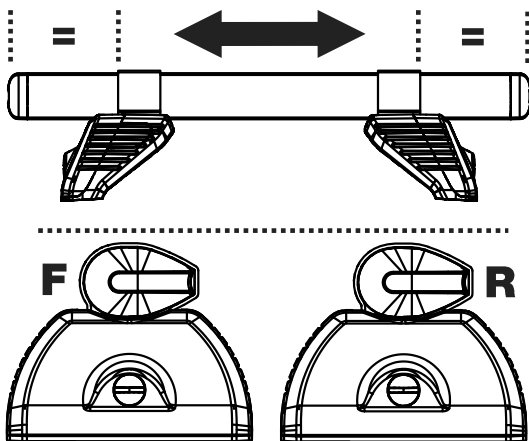
8.



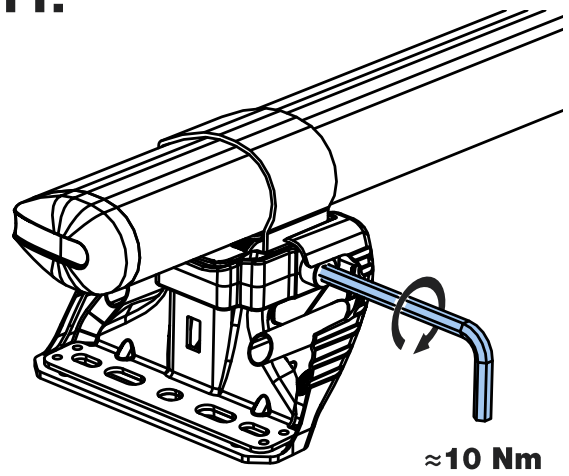
9.



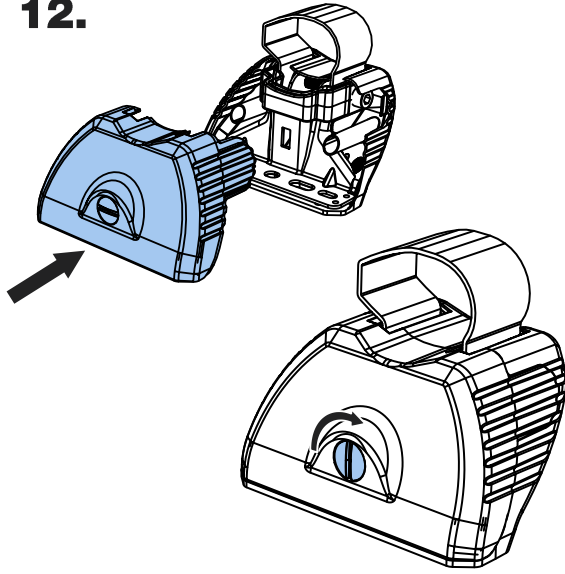
10.



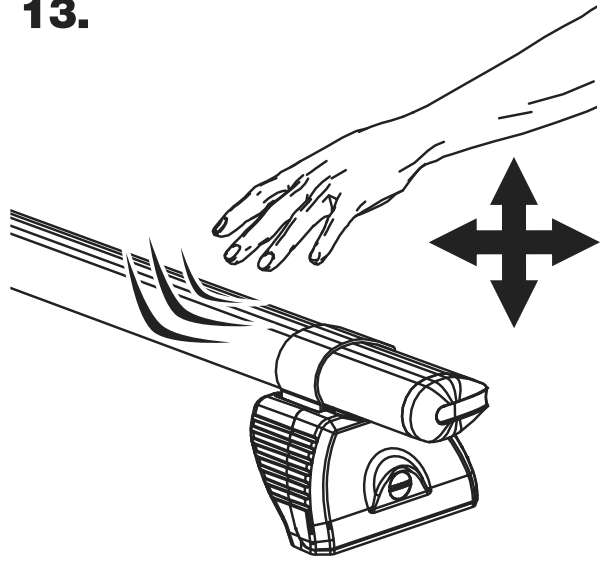
11.



12.



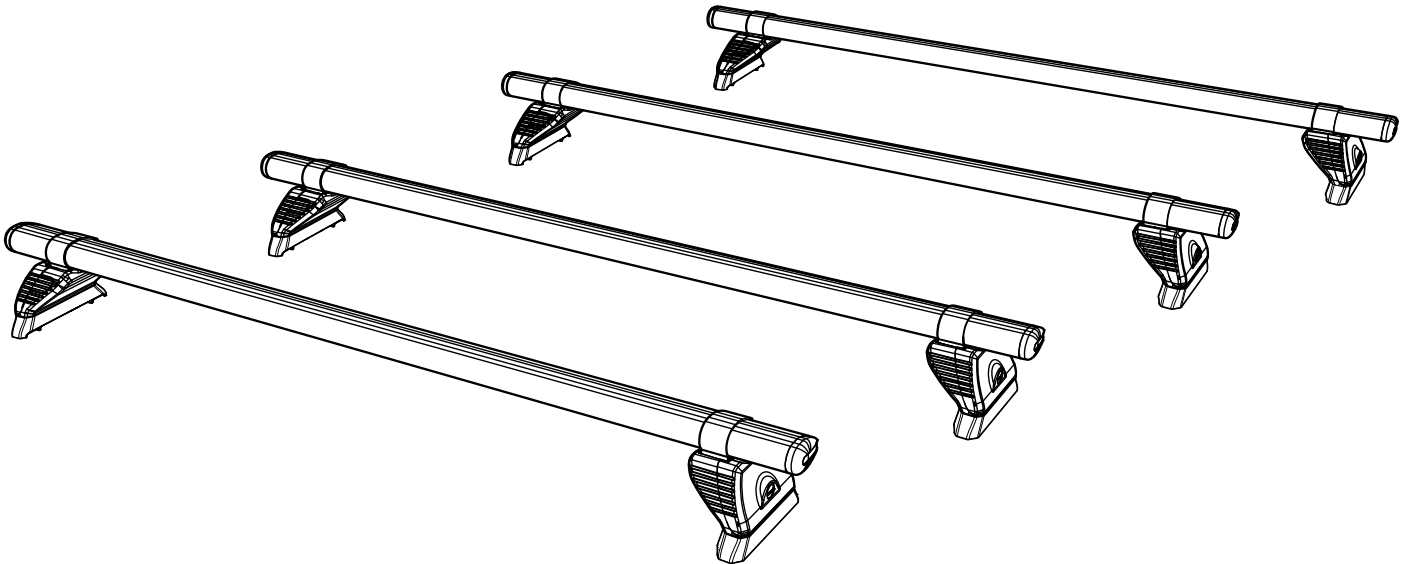
13.



KD4PR/FL

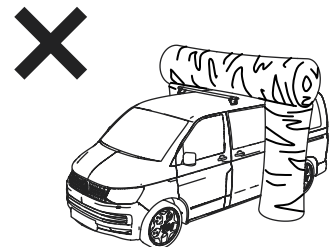
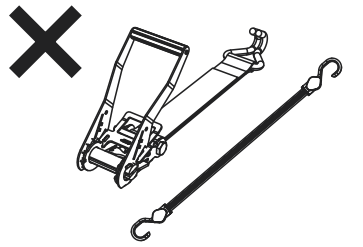
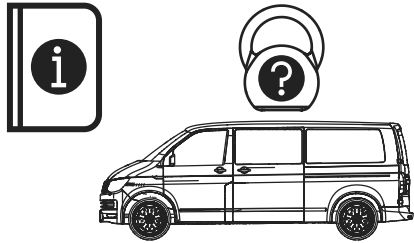
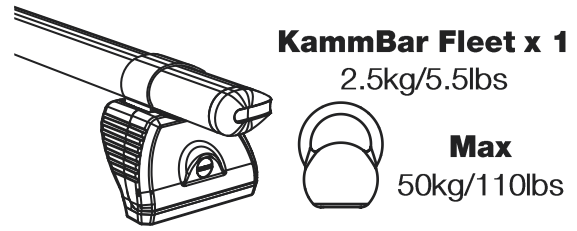
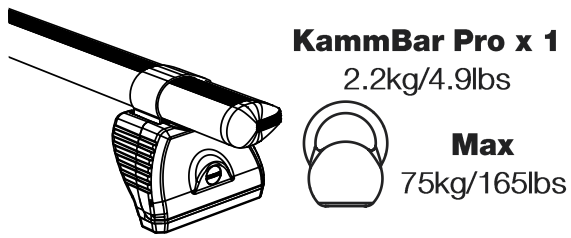
KammBar

Instructions

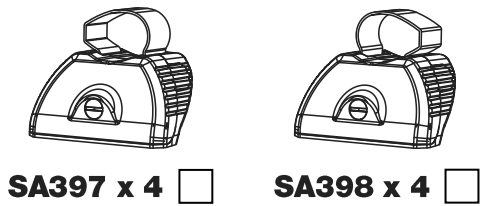
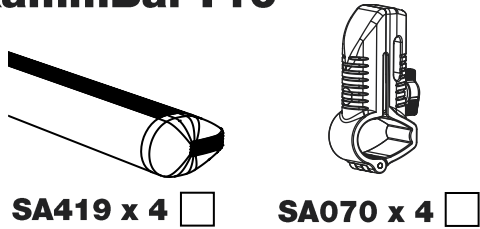


CITY CRASH (✓)

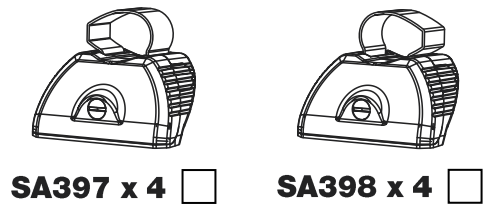
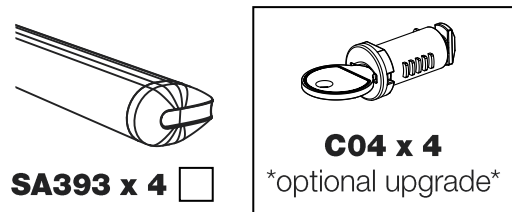
According to ISO/ PAS 11154:2006



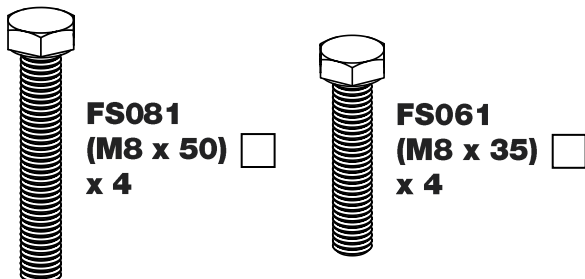
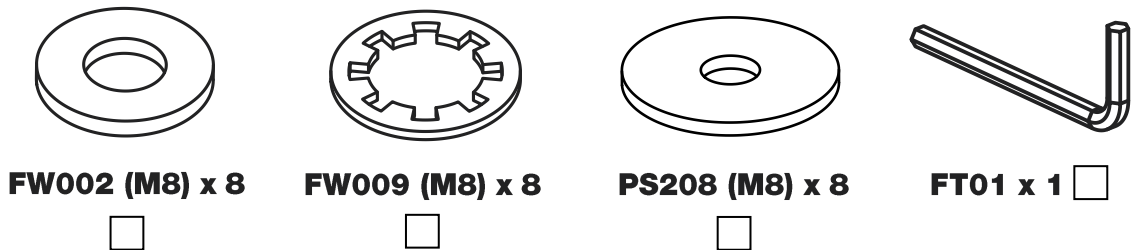
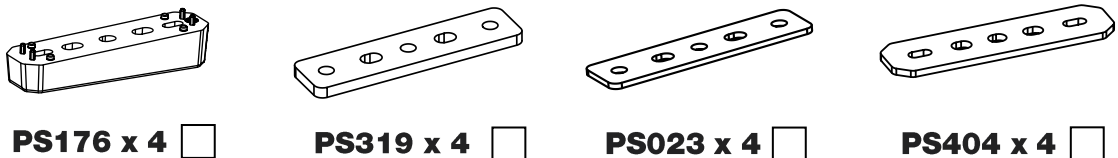
KammBar Pro



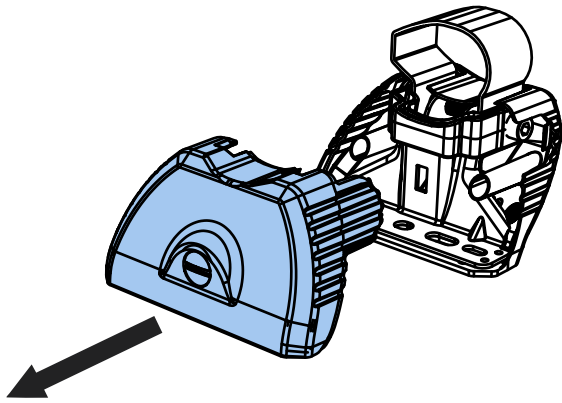
KammBar Fleet



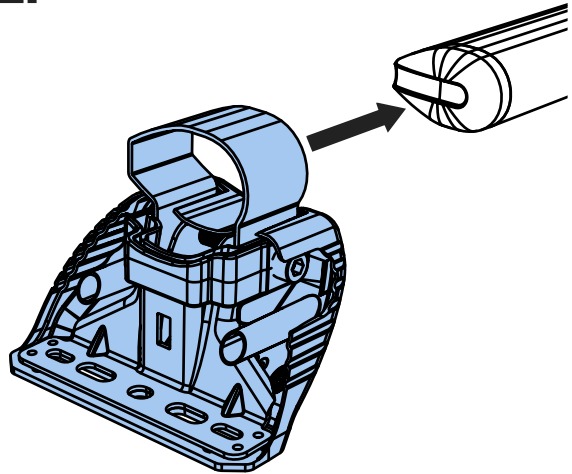
Fitting Kit



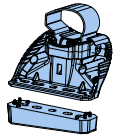
1.



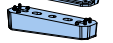
2.



3.



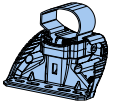
SA397



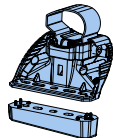
PS176



SA397

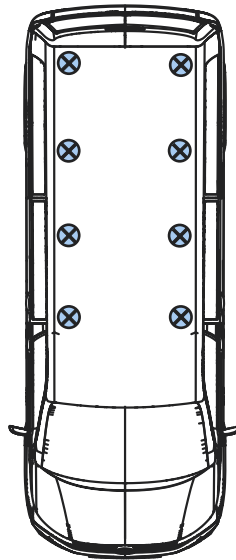


SA397

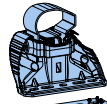


SA397

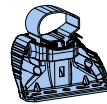
PS176



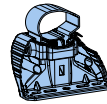
SA398



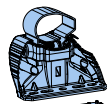
PS176



SA398



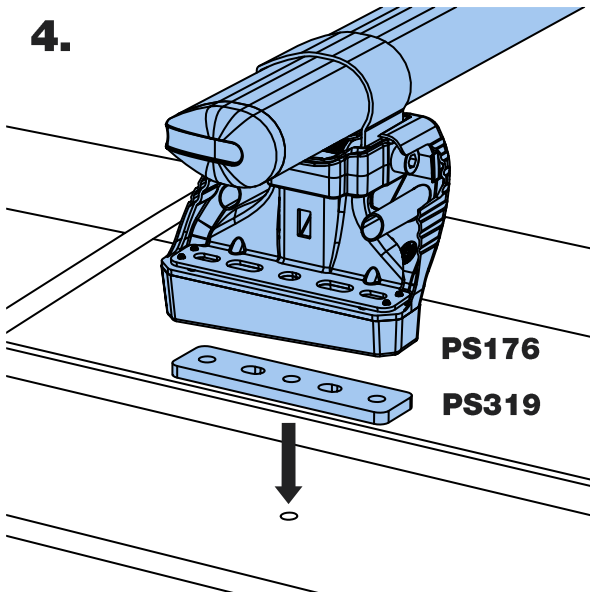
SA398



SA398

PS176

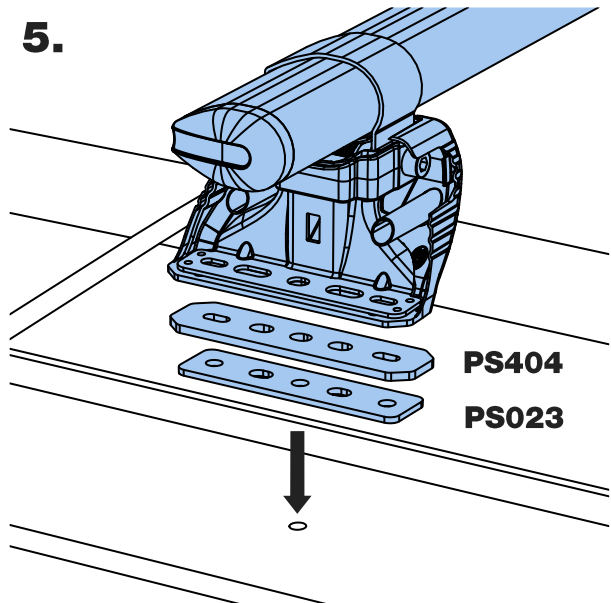
4.



PS176

PS319

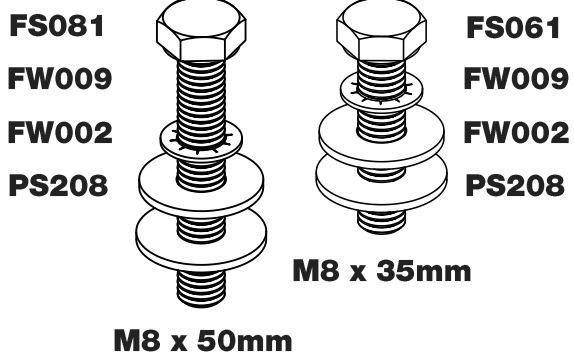
5.



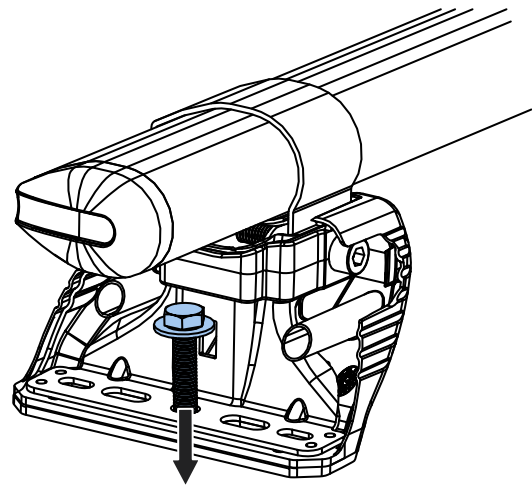
PS404

PS023

6.

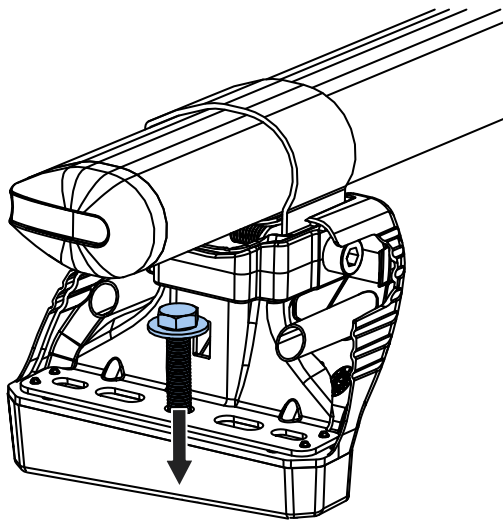


7.



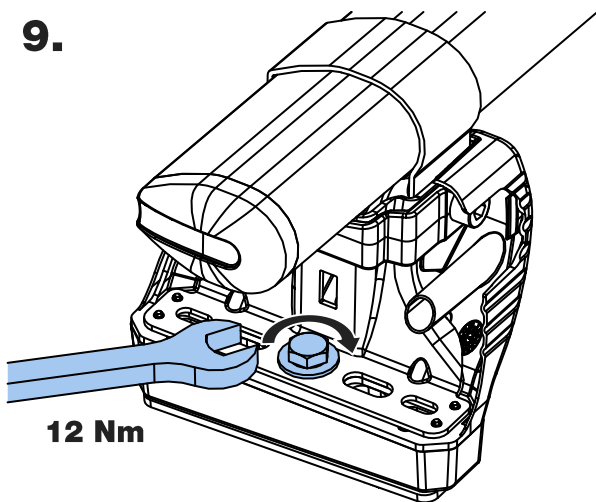
PS404 + M8 x 35mm

8.



PS176 + M8 x 50mm

9.

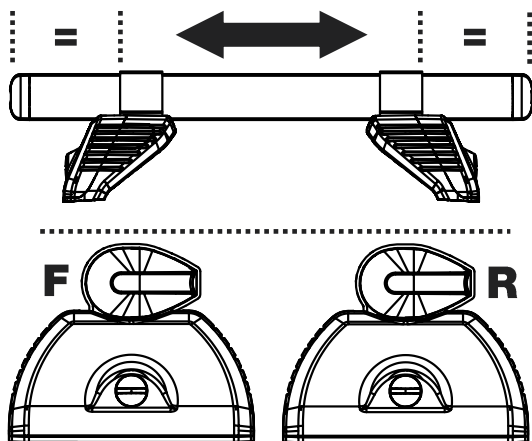


12 Nm

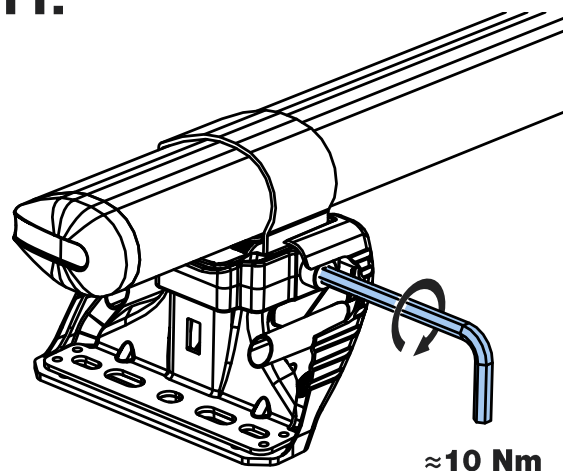


13mm

10.

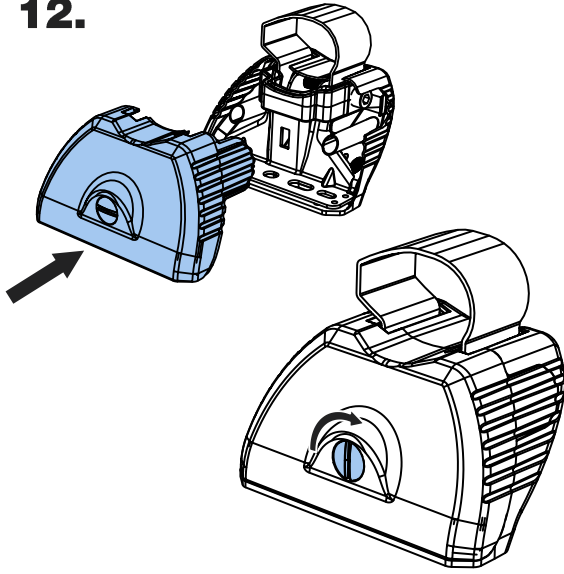


11.



≈ 10 Nm

12.



13.

