



SA055 x 2



SA056 x 2



SA070 x 4



PS183 x 4



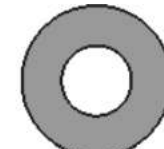
PS023 x 4



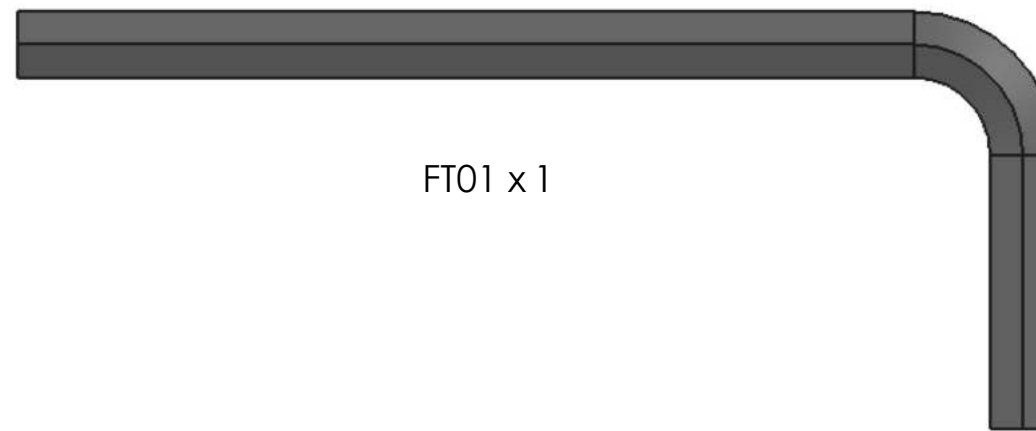
FS042(M6 x 40) x 4



FW008(M6) x 4



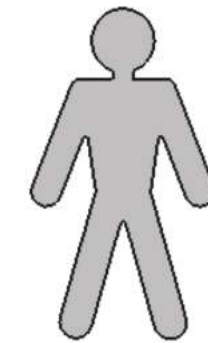
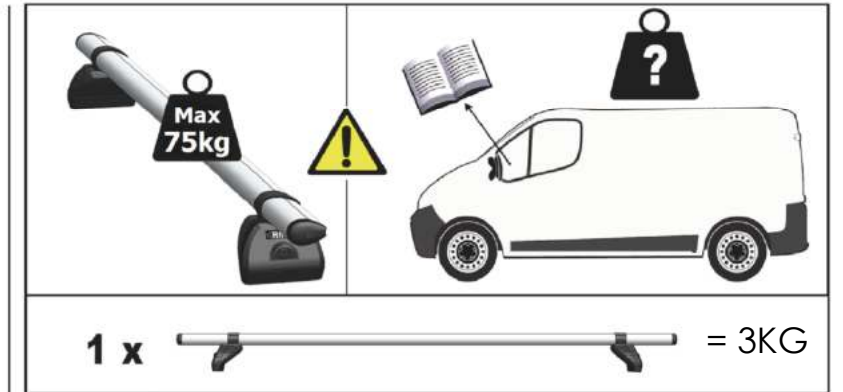
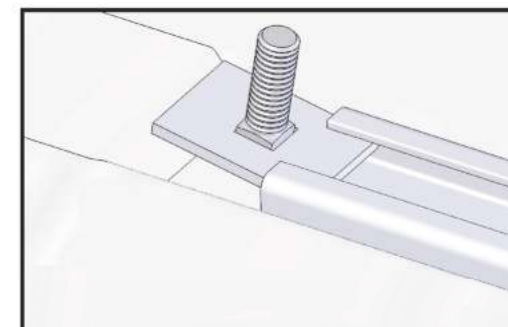
FW001(M6) x 4



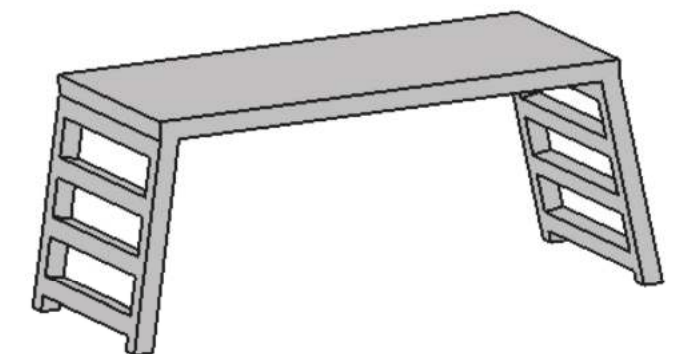
FT01 x 1

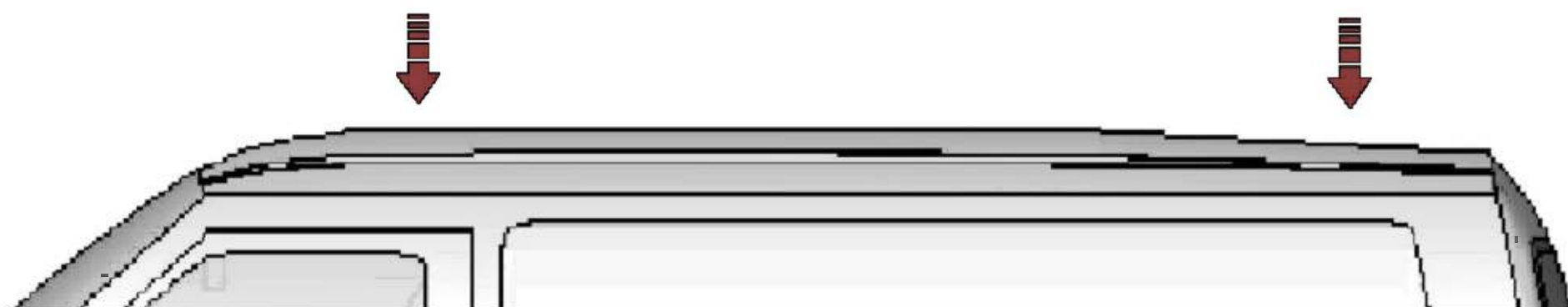
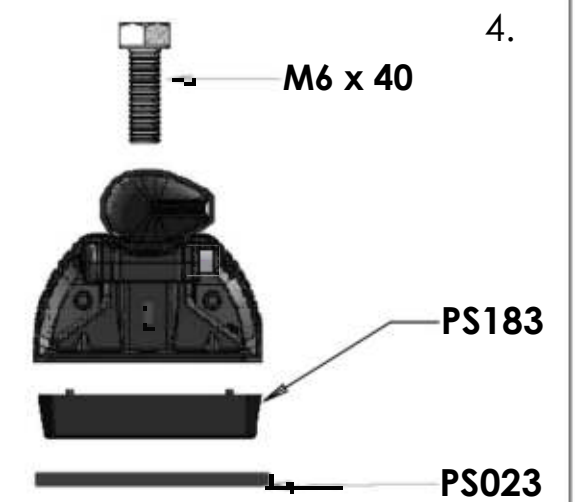
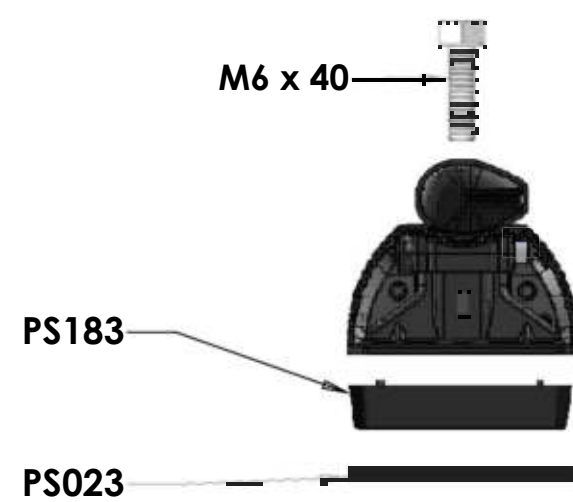
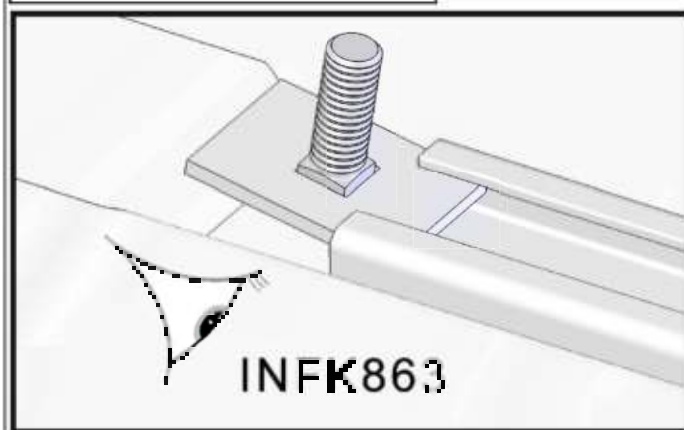
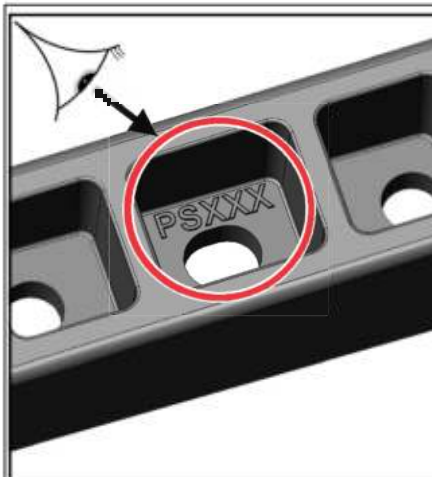
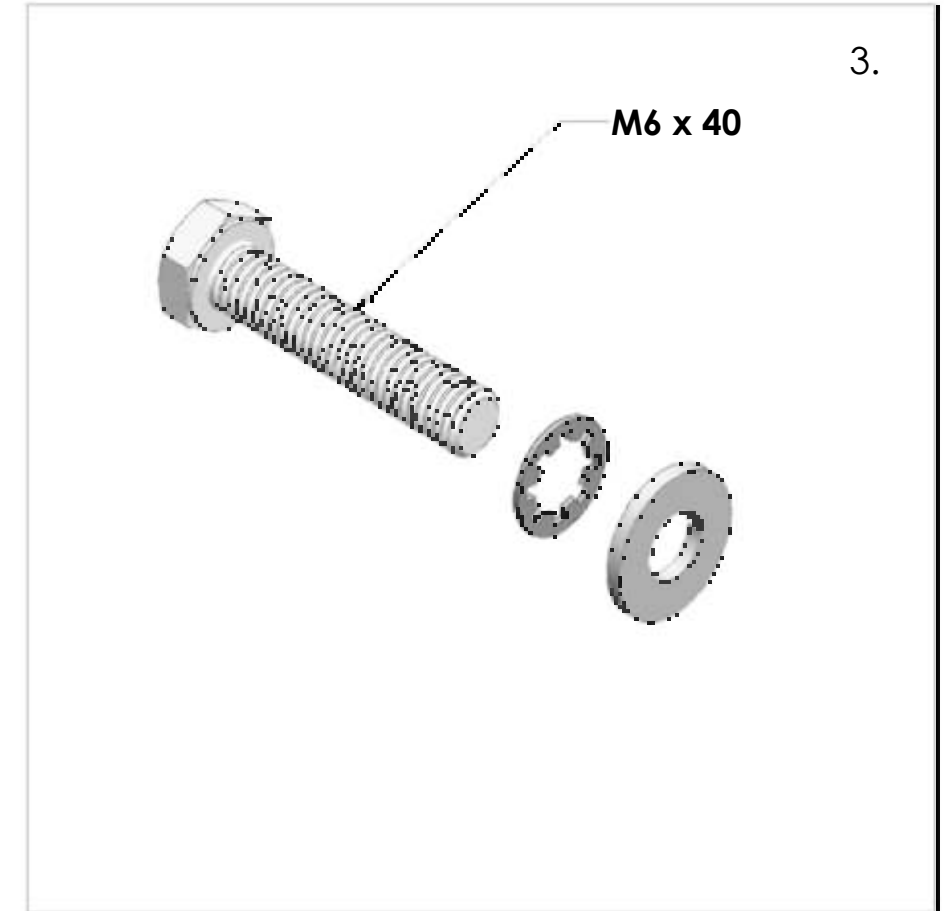
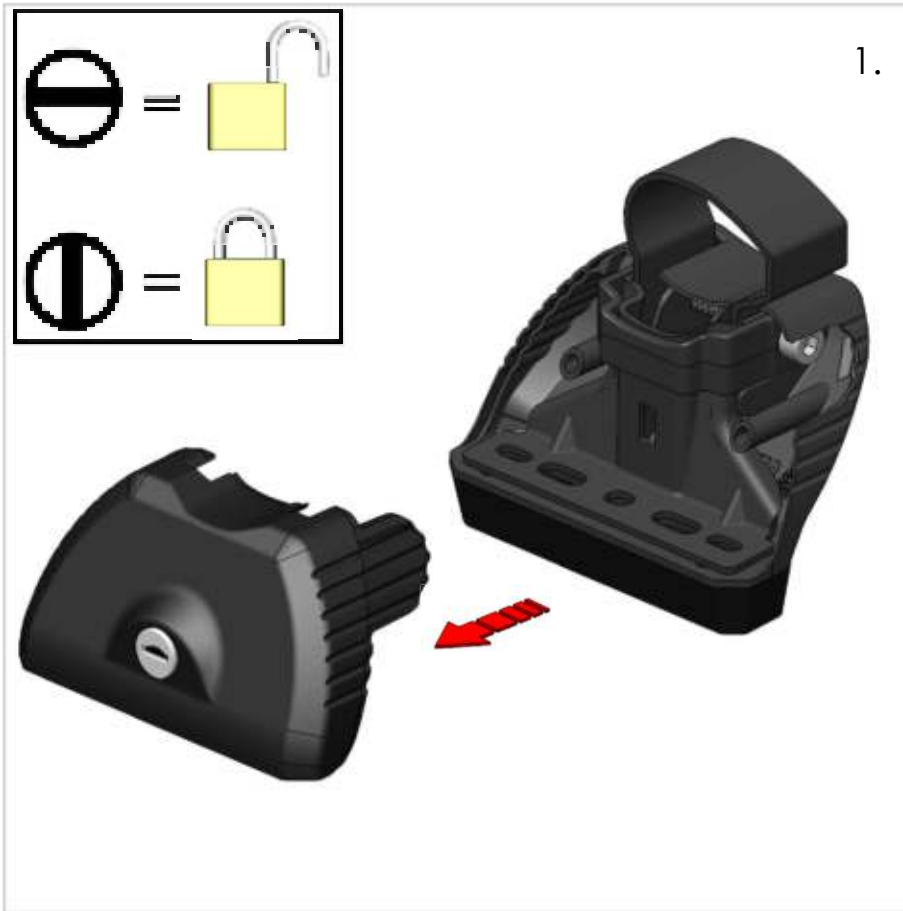


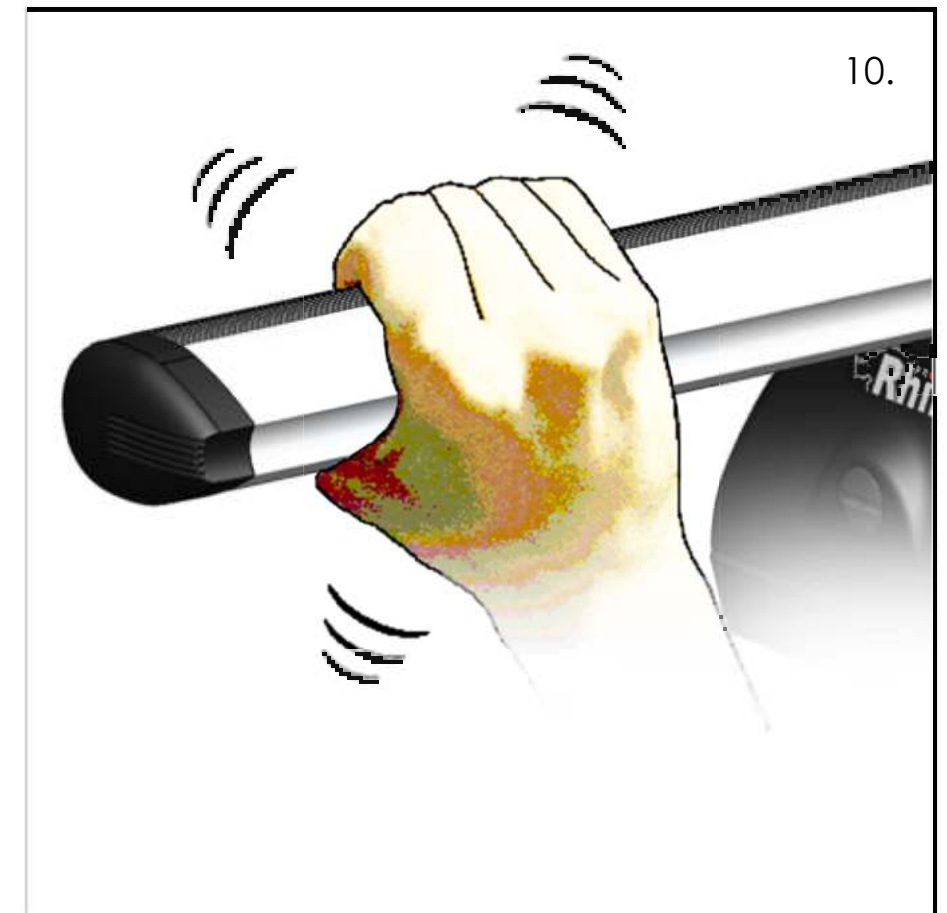
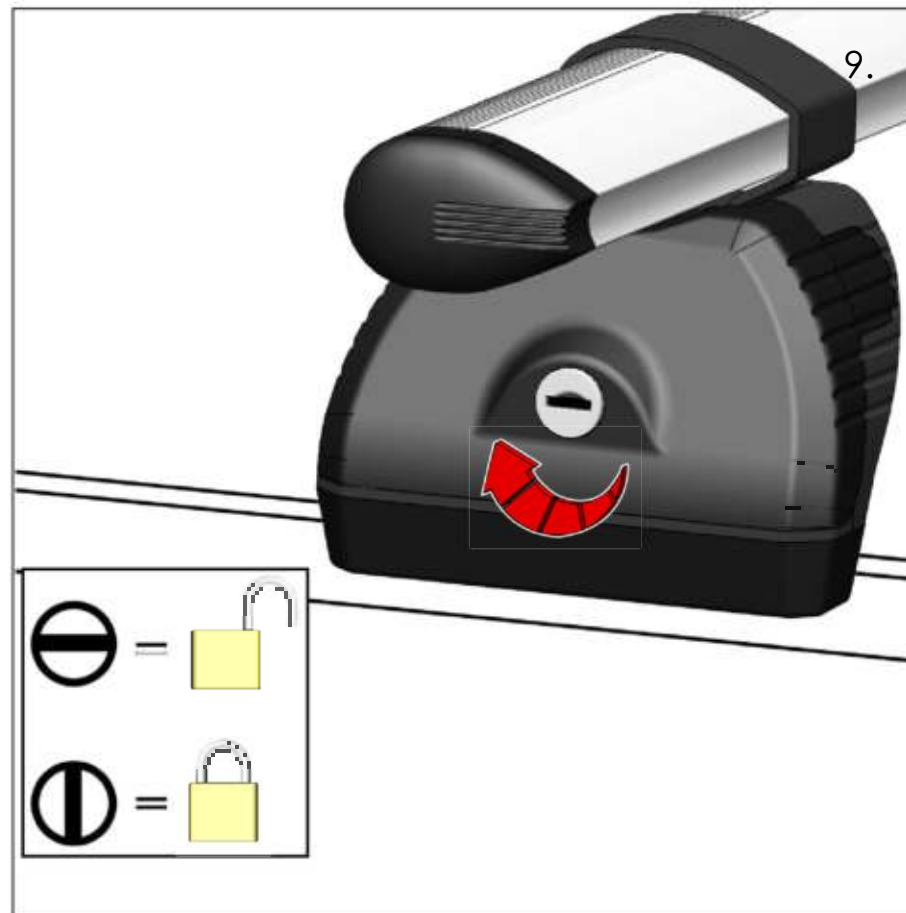
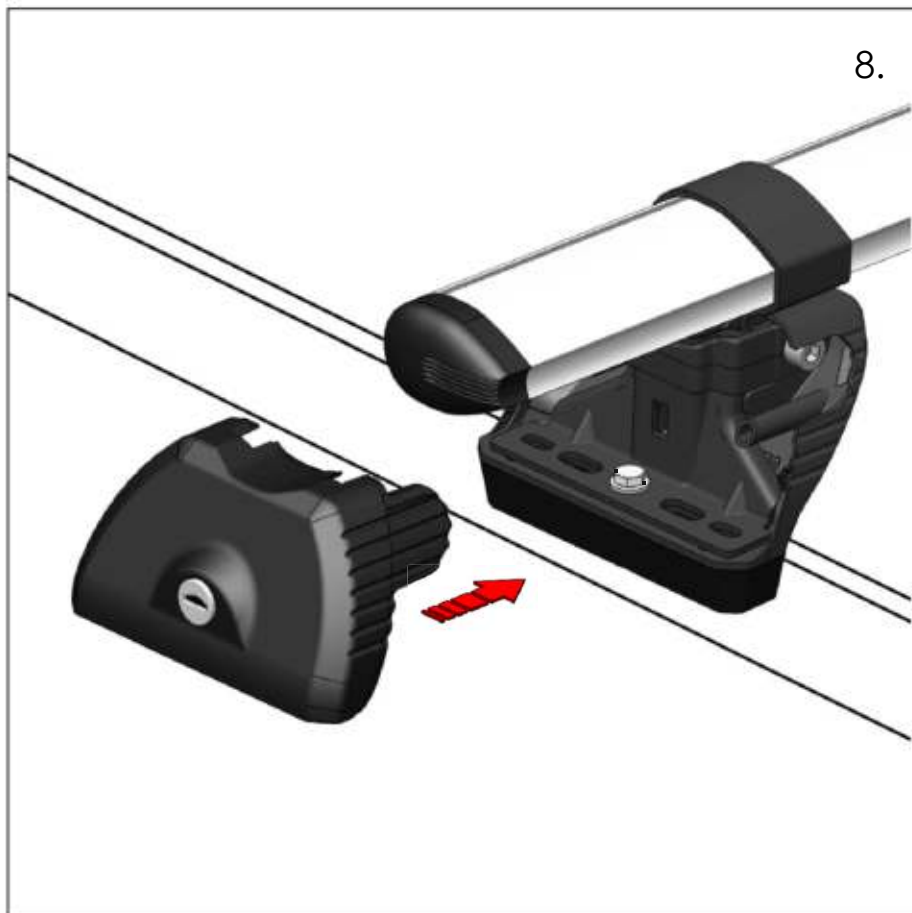
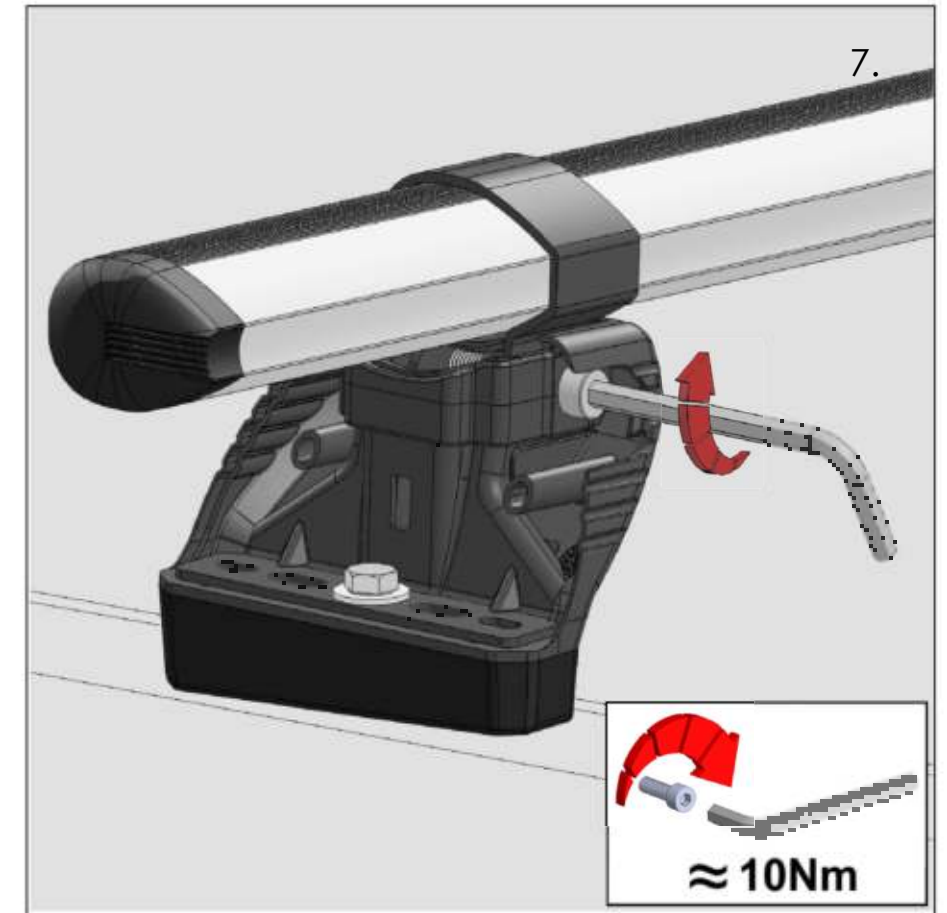
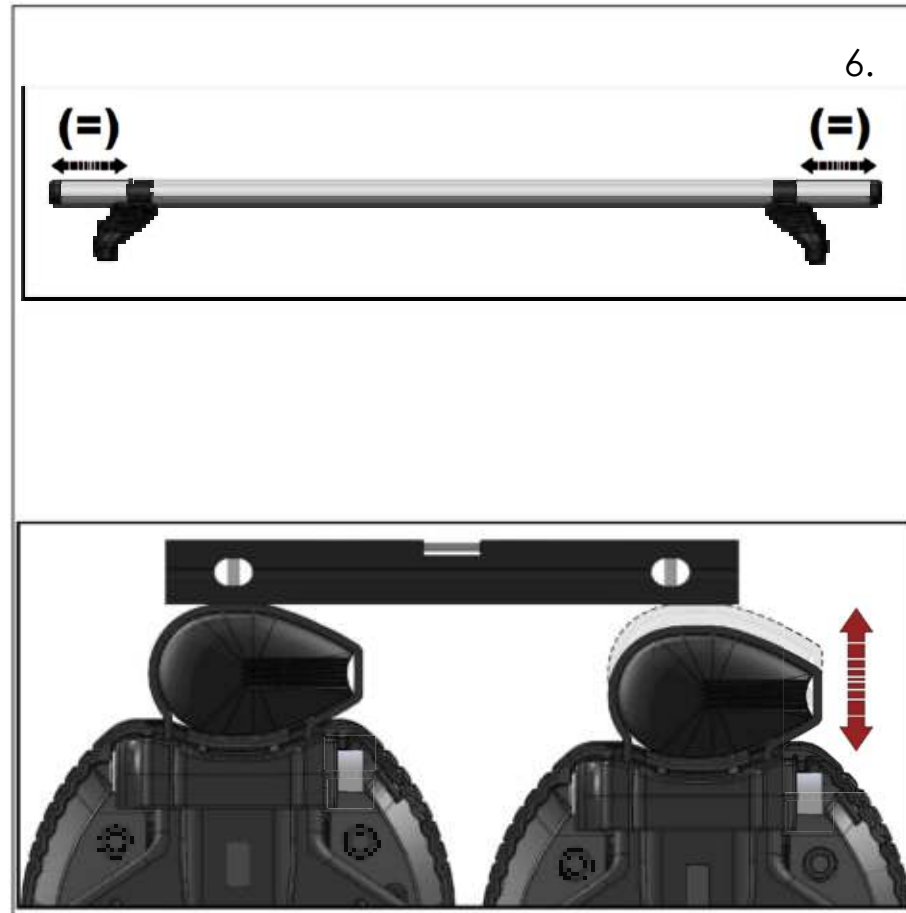
(FK863)

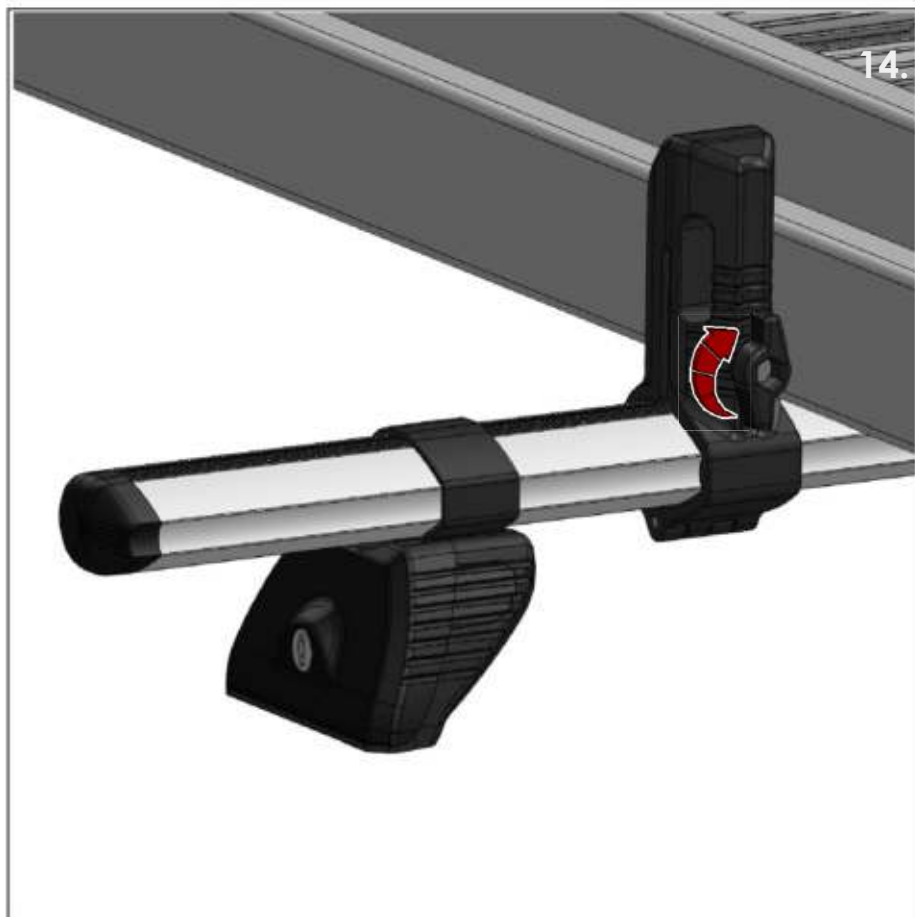


10mm x 1

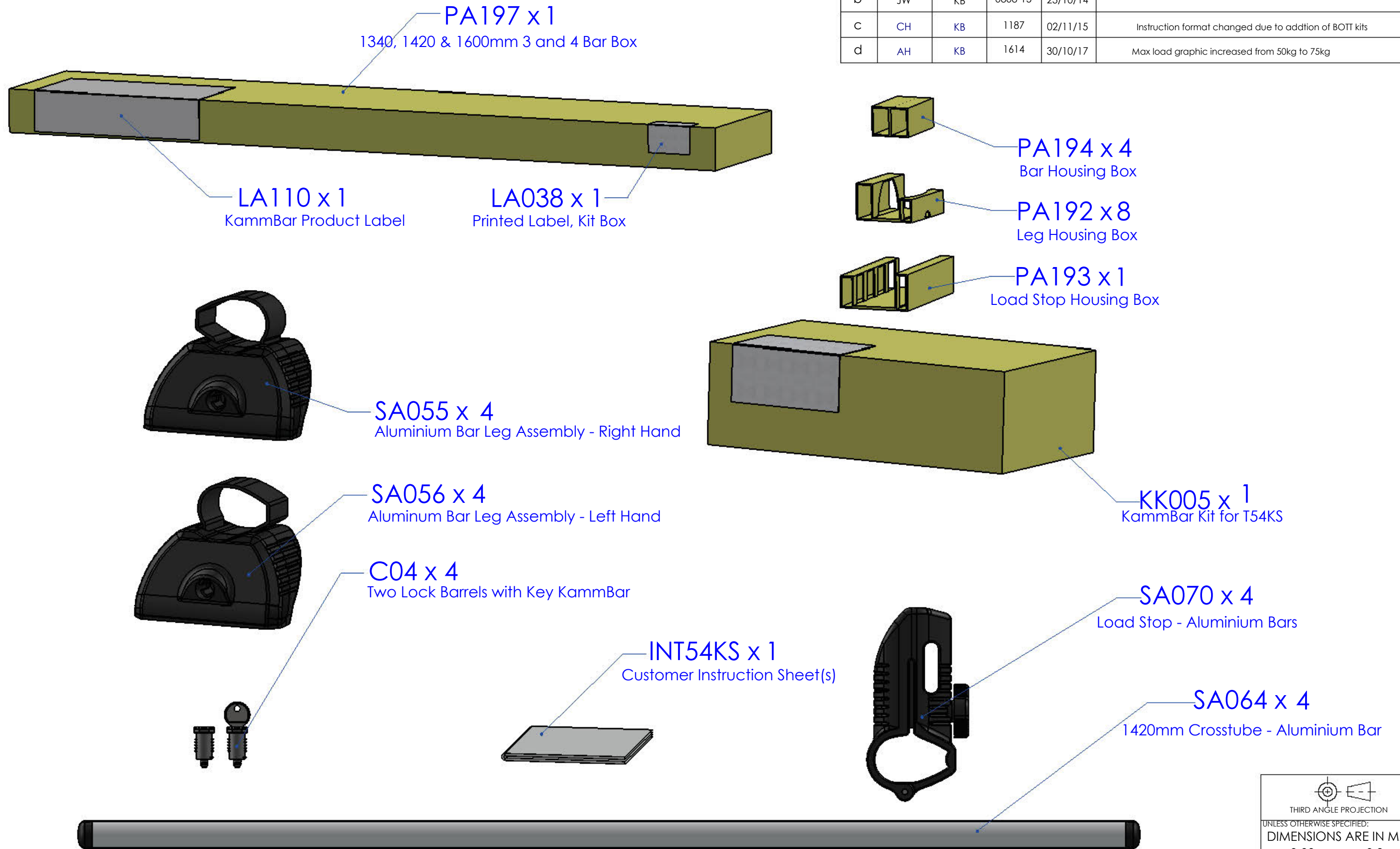




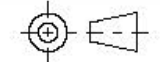


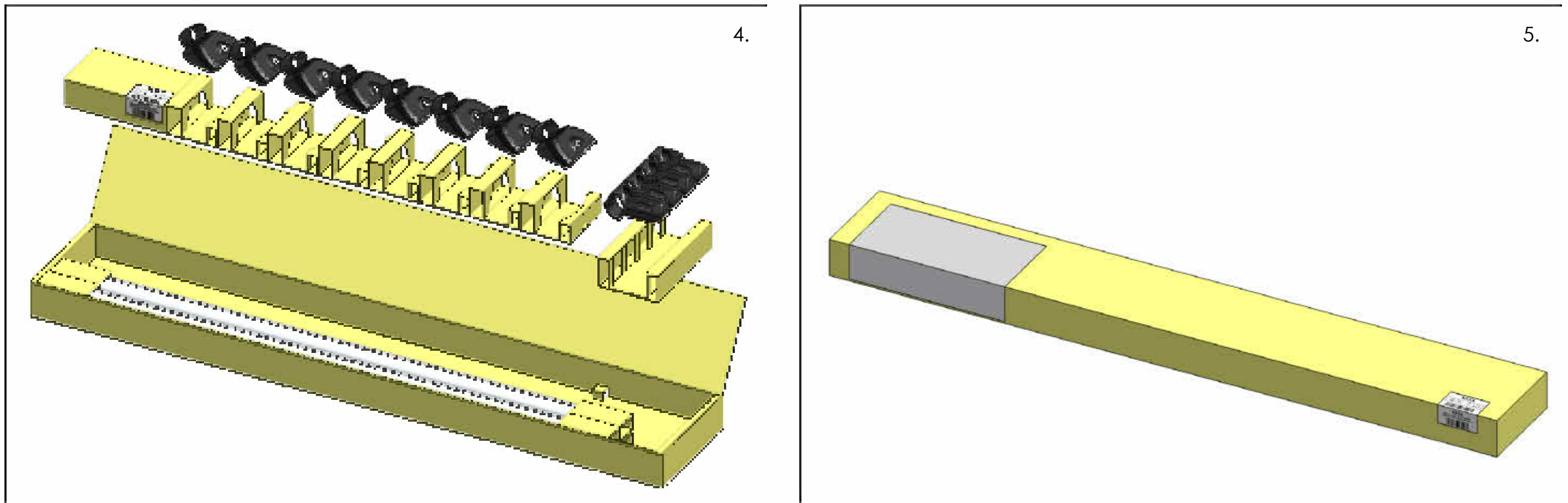
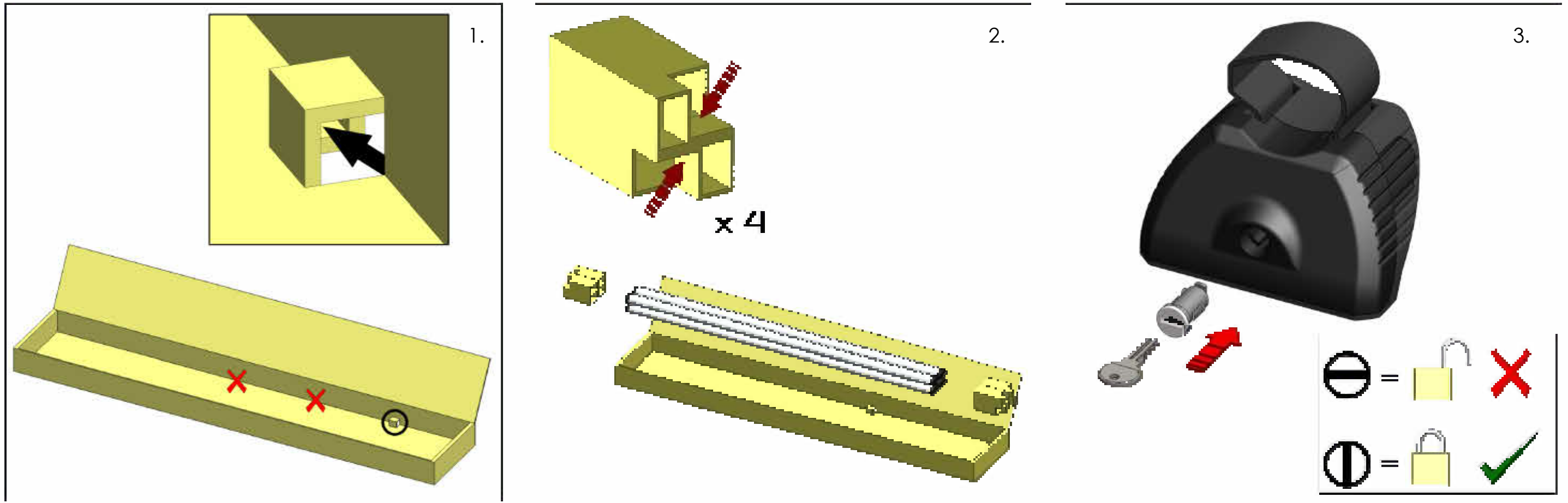


ISSUE:	DRAWN BY:	CHECKED BY:	CRF NO:	DATE:	DESCRIPTION:
a	KB	JW	0808-11	26/08/14	
b	JW	KB	0808-15	23/10/14	
c	CH	KB	1187	02/11/15	Instruction format changed due to addition of BOTT kits
d	AH	KB	1614	30/10/17	Max load graphic increased from 50kg to 75kg



DRAWING NO: T54KS (1 of 6)	DESCRIPTION: "T54" 8 Leg Fitting Kit - Aluminium Bars	DESIGNED BY: K. Broadbent 26/08/14
MATERIAL SIZE: n/a	MATERIAL SPEC: n/a	WEIGHT: 16.55Kg
© NOTE: This drawing is the property of Rhino Products Ltd and must not be used or copied without written consent. The Rhino Products name and logo must remain clearly visible in any reproduction.		

 THIRD ANGLE PROJECTION	
UNLESS OTHERWISE SPECIFIED: DIMENSIONS ARE IN MM	
0.00	0.2
0.0	0.5
ANG	0.5°
DERIVED DIMENSIONS SHOWN IN BRACKETS	
DEBURR AND BREAK ALL SHARP EDGES	
SHEET SIZE A3	SHEET SCALE: 1:3





SA055 x 4



SA056 x 4



SA070 x 4



PS178 x 4



PS183 x 4



PS023 x 8



FS039(M6 x 30mm) x 4



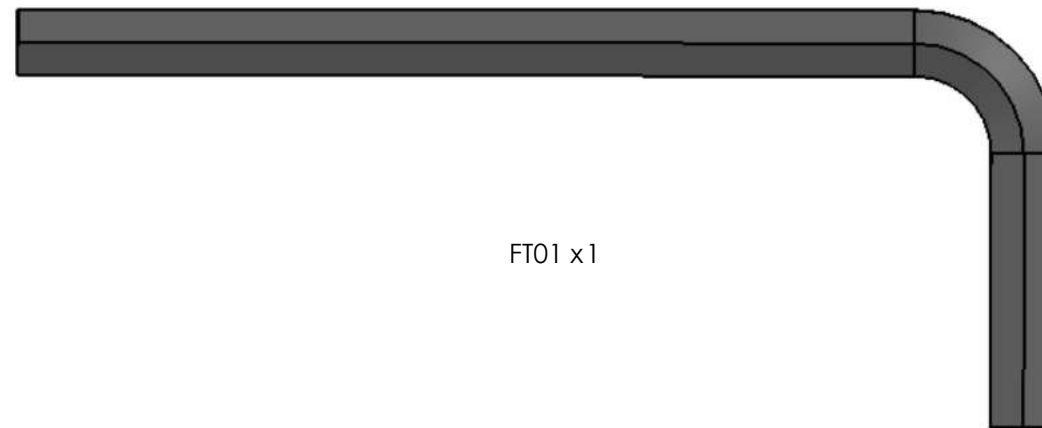
FS042(M6 x 40mm) x4



FW001(M6) x 8



FW008(M6) x 8

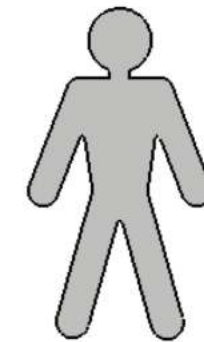
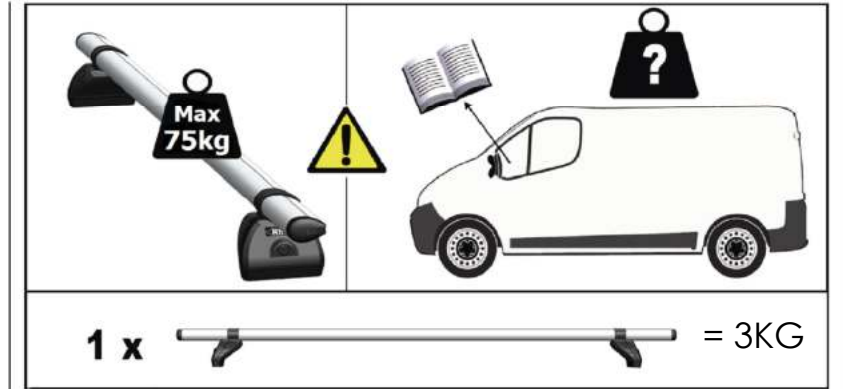
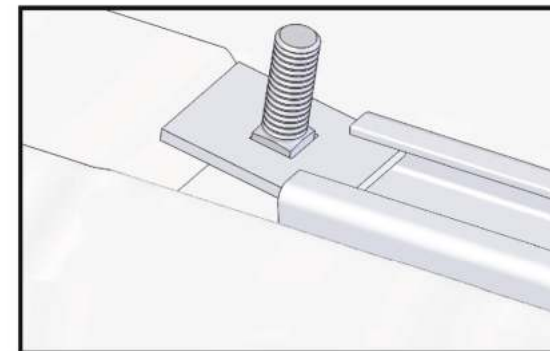


FT01 x1

(ONLY required for vehicles with a T-Track roof system)



(FK862)



10mm x 1

