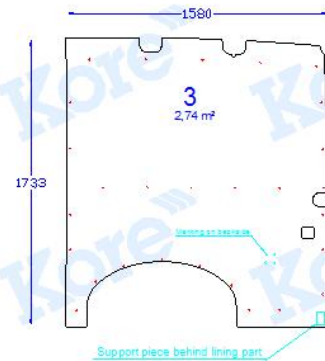
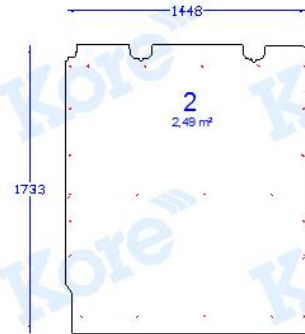
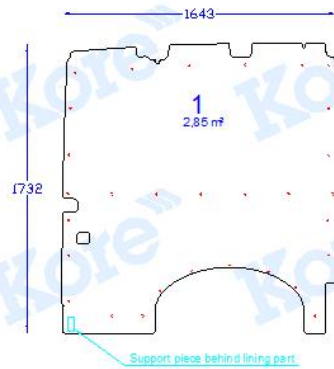


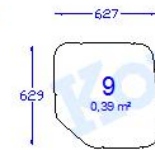
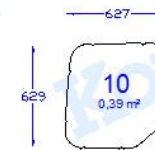
Matching models

Man TGE

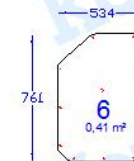
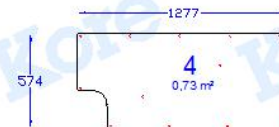
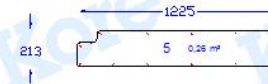


Rev. A	14.9.2017	Shapes modified in parts 1 and 2. Backside markings moved in part 3. /NJ
Rev. B	28.11.2017	Shapes modified in parts 1 and 2. /NJ

Window parts



Door parts



10	back door right window part
9	back door left window part
8	sliding door window part
7	back door right lower part
6	back door left lower part
5	sliding door middle part
4	sliding door lower part
3	right wall back part
2	left wall front part
1	left wall back part
Part number	Part

Full description

Volkswagen Crafter L3H2 linings.
Sliding door right. Front wheel drive.
Without plastic wheel arc covers.

Drawing number

CRA17 L3H2 SDR FWD NOP_B

Model

Volkswagen Crafter L3 '17

Design

NJ

Date

1.9.17

Scale

1:1



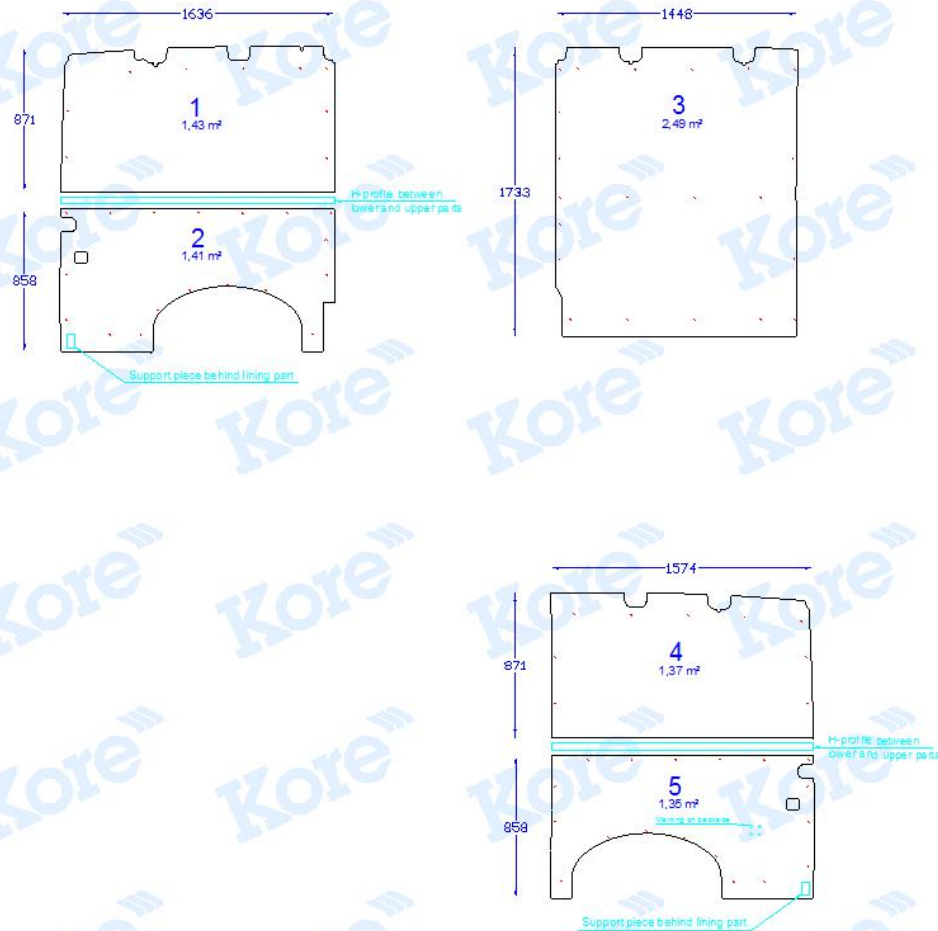
Kore™



KOSKISEN

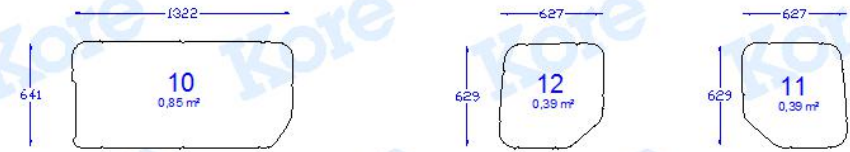
Matching models

Man TGE

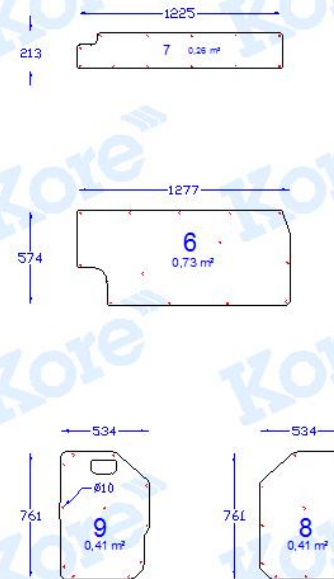


Rev. A	14.9.2017	Shapes modified in parts 1-3 and 5. /NJ
Rev. B	28.11.2017	Shapes modified in parts 1 and 3. /NJ

Window parts



Door parts



12	back door right window part
11	back door left window part
10	sliding door window part
9	back door right lower part
8	back door left lower part
7	sliding door middle part
6	sliding door lower part
5	right wall back lower part
4	right wall back upper part
3	left front wall part
2	left wall back lower part
1	left wall back upper part
Part number	Part

Full description

Volkswagen Crafter L3H2 linings.
Sliding door right. Front wheel drive.
Without plastic wheel arc covers.

Drawing number

CRA17 L3H2 SDR FWD NOP_B

Model

Volkswagen Crafter L3 '17

Design

NJ

Date

1.9.17

Scale

1:1



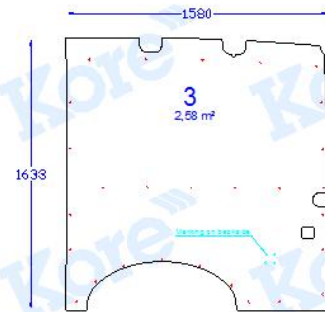
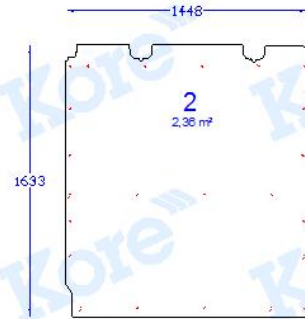
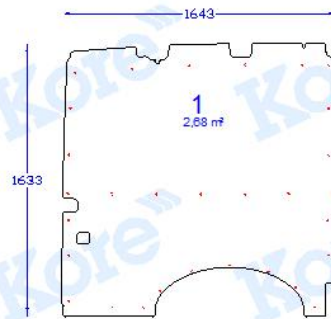
Kore™



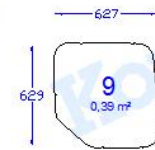
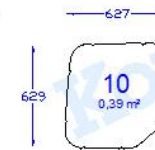
KOSKISEN

Matching models

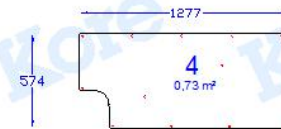
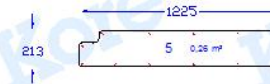
Man TGE



Window parts



Door parts



10	back door right window part
9	back door left window part
8	sliding door window part
7	back door right lower part
6	back door left lower part
5	sliding door middle part
4	sliding door lower part
3	right wall back part
2	left wall front part
1	left wall back part
Part number	Part

Full description

Volkswagen Crafter L3H2 linings.
Sliding door right. RWD/4WD.
Without plastic wheel arc covers.

Drawing number

CRA17 L3H2 SDR RWD NOP

Model

Volkswagen Crafter L3 '17

Design

NJ

Date

4.12.17

Scale

1:1



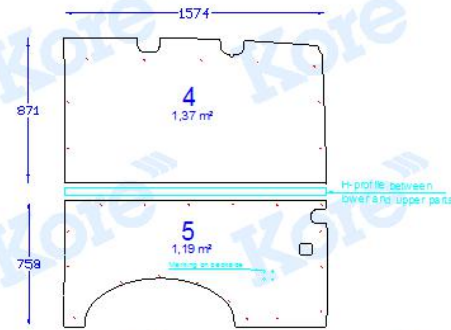
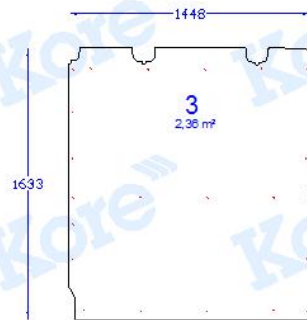
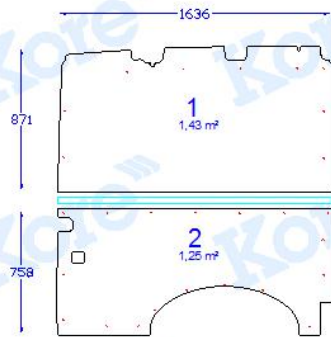
Kore™



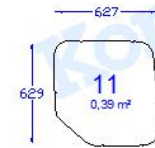
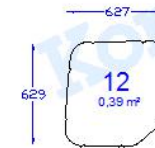
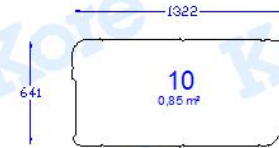
KOSKISEN

Matching models

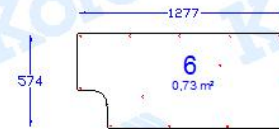
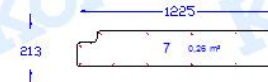
Man TGE



Window parts



Door parts



12	back door right window part
11	back door left window part
10	sliding door window part
9	back door right lower part
8	back door left lower part
7	sliding door middle part
6	sliding door lower part
5	right wall back lower part
4	right wall back upper part
3	left front wall part
2	left wall back lower part
1	left wall back upper part
Part number	Part

Full description

Volkswagen Crafter L3H2 linings.
Sliding door right. RWD/4WD.
Without plastic wheel arc covers.

Drawing number

CRA17 L3H2 SDR RWD NOP

Model

Volkswagen Crafter L3 '17

Design

NJ

Date

4.12.17

Scale

1:1



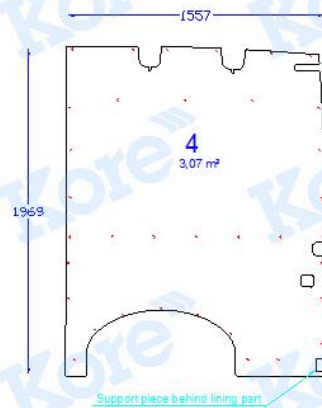
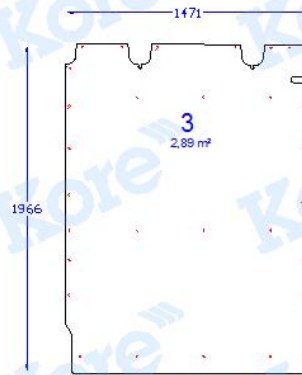
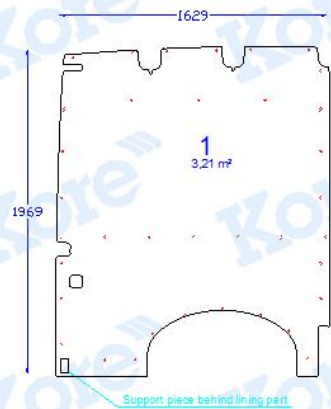
Koskisen



KOSKISEN

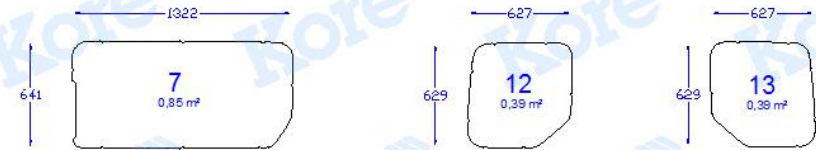
Matching models

Man TGE

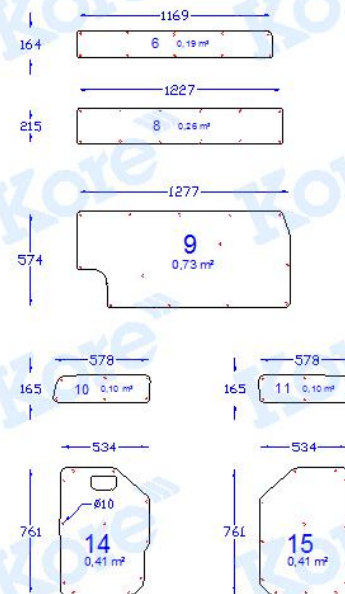


REV A | 24.4.17. | Back wall parts in one piece, shapes modified parts 1, 3 and 4.

Window parts



Door parts



15	back door left lower part
14	back door right lower part
13	back door left window part
12	back door right window part
11	back door left upper part
10	back door right upper part
9	sliding door lower part
8	sliding door middle part
7	sliding door window part
6	sliding door upper part
5	
4	right wall back part
3	left wall front part
2	
1	left wall back part

Part number

Part

Full description

Volkswagen Crafter L3H3 linings.
Sliding door right. Front wheel drive.
Without plastic wheel arc covers.

Drawing number

CRA17 L3H3 SDR FWD NOP_A

Model

Volkswagen Crafter L3 '17

Design

NJ

Date

9.3.17

Scale

1:1



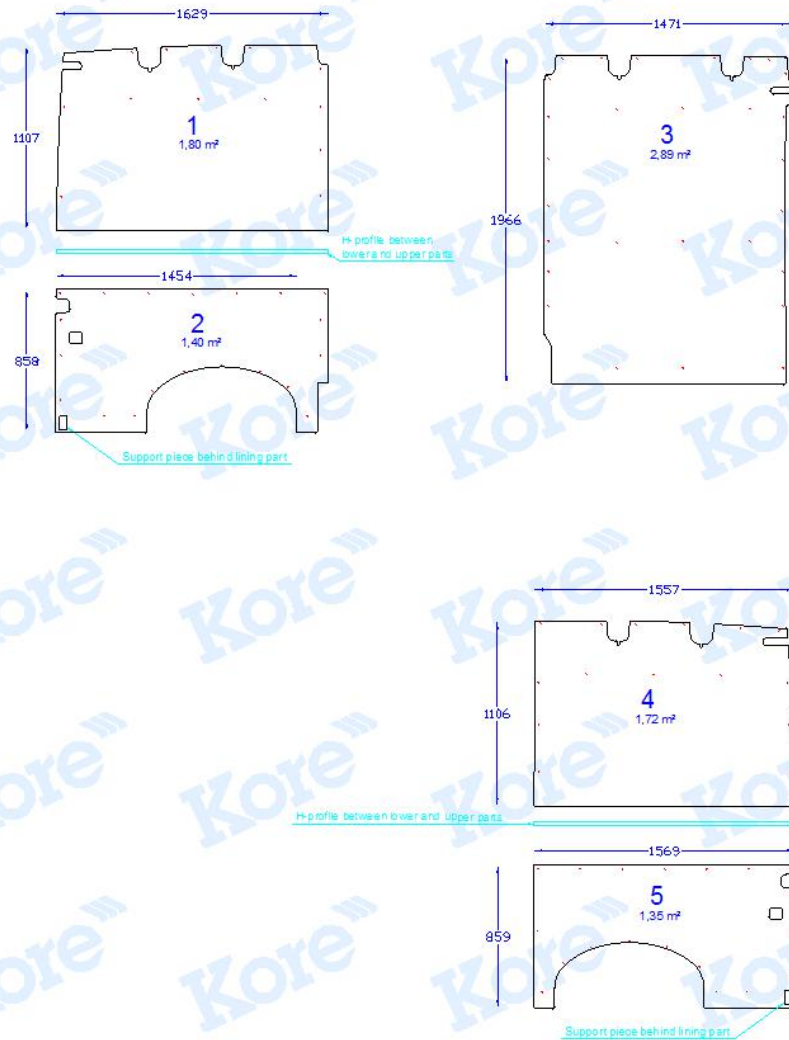
Kore™



KOSKISEN

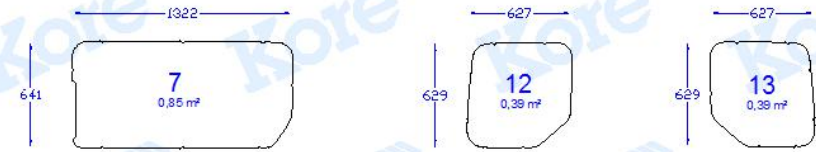
Matching models

Man TGE

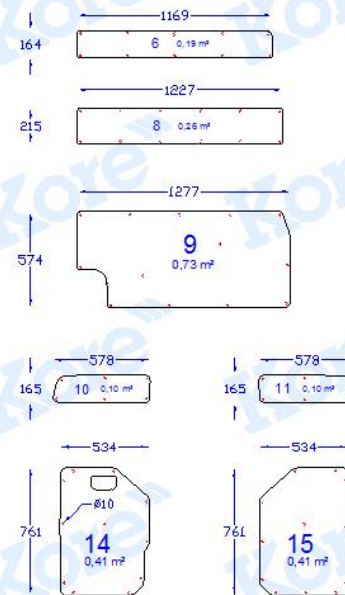


REV A | 24.4.17. | Shapes modified parts 2 and 3.

Window parts



Door parts



15	back door left lower part
14	back door right lower part
13	back door left window part
12	back door right window part
11	back door left upper part
10	back door right upper part
9	sliding door lower part
8	sliding door middle part
7	sliding door window part
6	sliding door upper part
5	right wall back lower part
4	right wall back upper part
3	left wall front part
2	left wall back lower part
1	left wall back upper part

Part number | Part

Full description

Volkswagen Crafter L3H3 linings.
Sliding door right. Front wheel drive.
Without plastic wheel arc covers.

Drawing number

CRA17 L3H3 SDR FWD NOP_A

Model

Volkswagen Crafter L3 '17

Design

NJ

Date

9.3.17

Scale

1:1



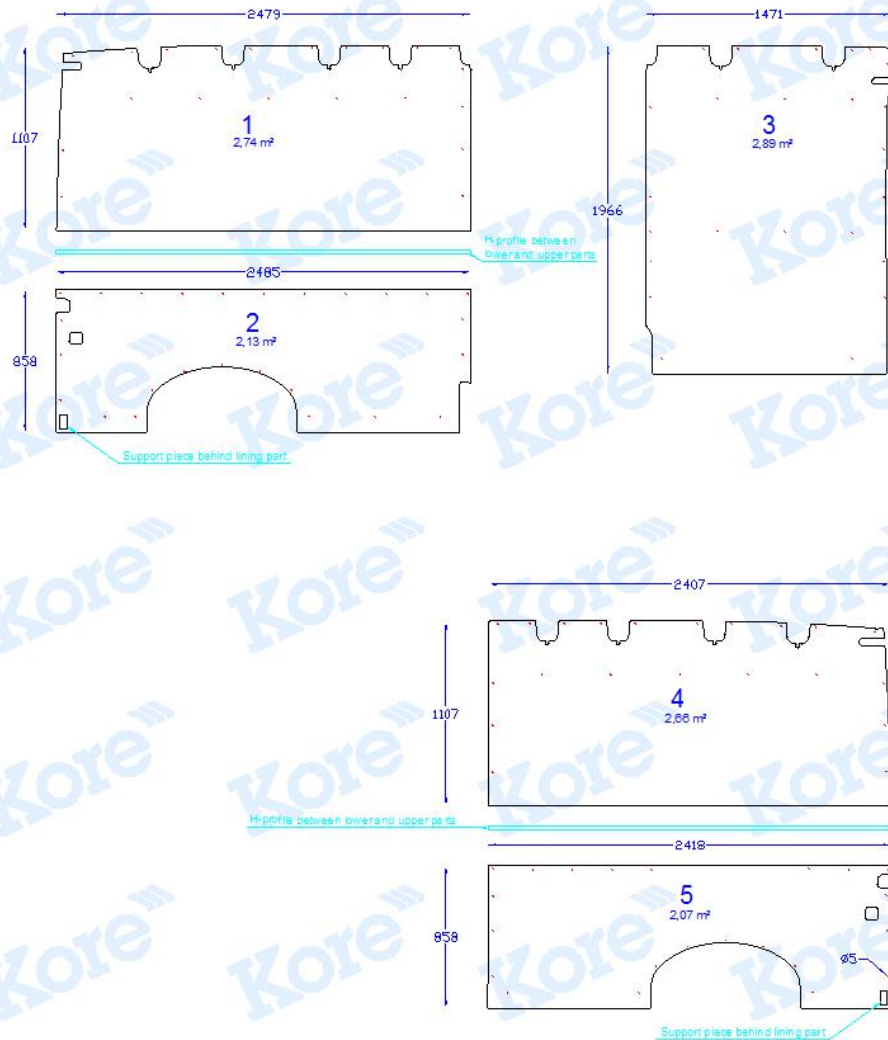
Kore™



KOSKISEN

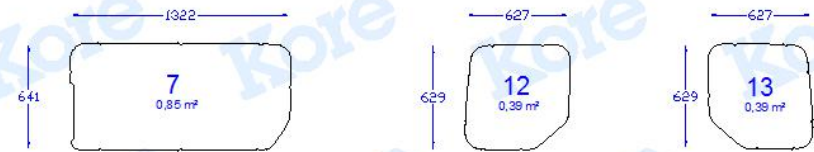
Matching models

Man TGE

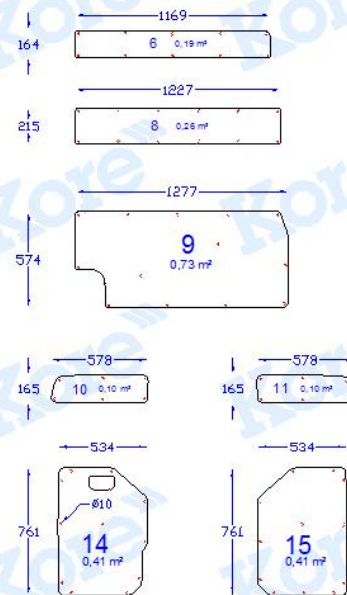


Rev A | 27.4.17 | Shapes changed in wheel arcs and in parts 2 and 3.

Window parts



Door parts



15	back door left lower part
14	back door right lower part
13	back door left window part
12	back door right window part
11	back door left upper part
10	back door right upper part
9	sliding door lower part
8	sliding door middle part
7	sliding door window part
6	sliding door upper part
5	right wall back lower part
4	right wall back upper part
3	left wall front part
2	left wall back lower part
1	left wall back upper part

Part number Part

Full description

Volkswagen Crafter L4H3 linings.
Sliding door right. Front wheel drive.
Without plastic wheel arc covers.

Drawing number

CRA17 L4H3 SDR FWD NOP_A

Model

Volkswagen Crafter L4 '17

Design

NJ

Date

9.3.17

Scale

1:1



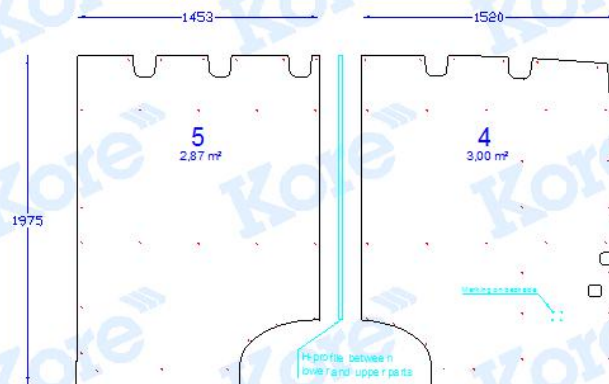
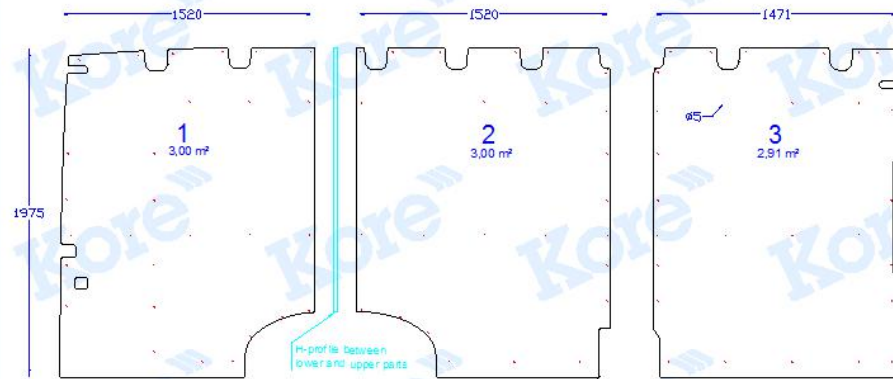
Kore™



KOSKISEN

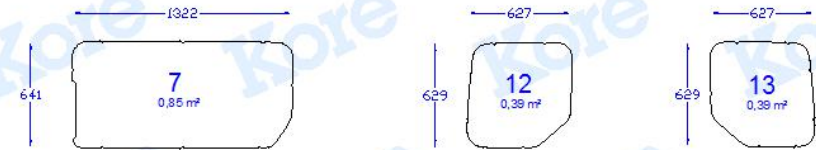
Matching models

Man TGE

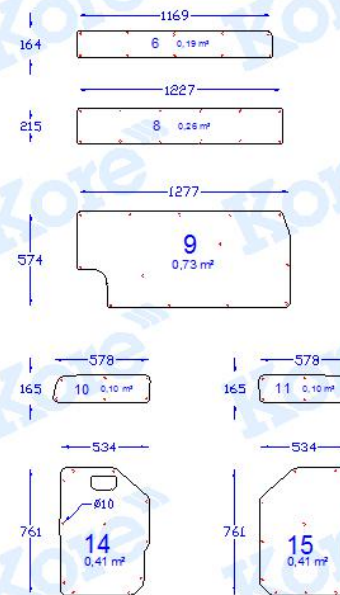


Rev. A 29.11.2017 Parts 1-5: holes in middle row moved 21 mm upwards. /NJ

Window parts



Door parts



15	back door left lower part
14	back door right lower part
13	back door left window part
12	back door right window part
11	back door left upper part
10	back door right upper part
9	sliding door lower part
8	sliding door middle part
7	sliding door window part
6	sliding door upper part
5	right wall middle part
4	right wall back part
3	left wall front part
2	left wall middle part
1	left wall back part

Part number Part

Full description

Volkswagen Crafter L5H3 linings.
Sliding door right. Front wheel drive.
Without plastic wheel arc covers.

Drawing number

CRA17 L5H3 SDR FWD NOP_A

Model

Volkswagen Crafter L5 '17

Design

NJ

Date

25.10.17

Scale

1:1



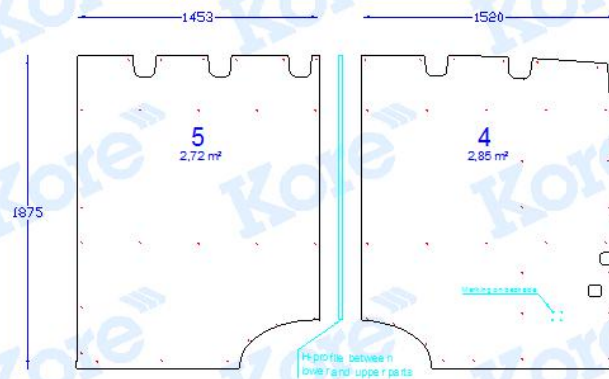
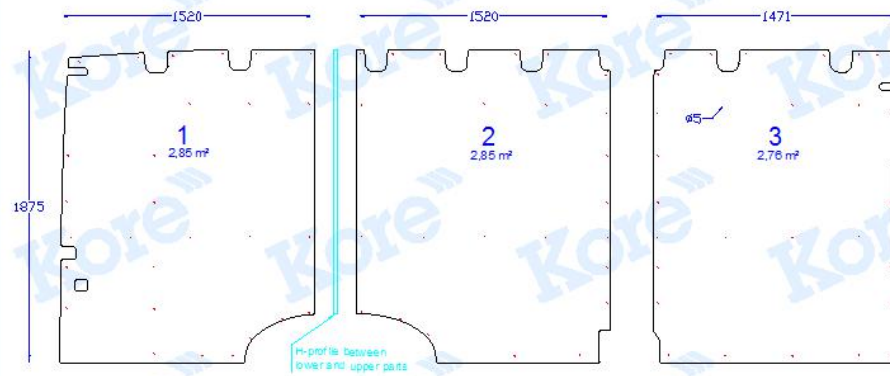
Kore™



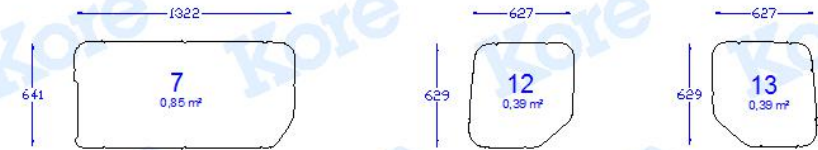
KOSKISEN

Matching models

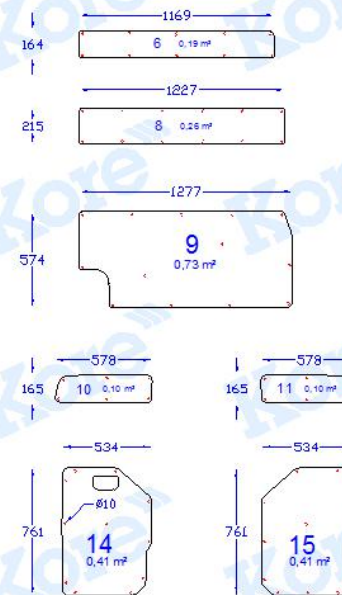
Man TGE



Window parts



Door parts



15	back door left lower part
14	back door right lower part
13	back door left window part
12	back door right window part
11	back door left upper part
10	back door right upper part
9	sliding door lower part
8	sliding door middle part
7	sliding door window part
6	sliding door upper part
5	right wall middle part
4	right wall back part
3	left wall front part
2	left wall middle part
1	left wall back part

Part number

Part

Full description

Volkswagen Crafter L5H3 linings.
Sliding door right. RWD/4WD.
Without plastic wheel arc covers.

Drawing number

CRA17 L5H3 SDR RWD NOP

Model

Volkswagen Crafter L5 '17

Design

NJ

Date

1.12.17

Scale

1:1



Kore™



KOSKISEN